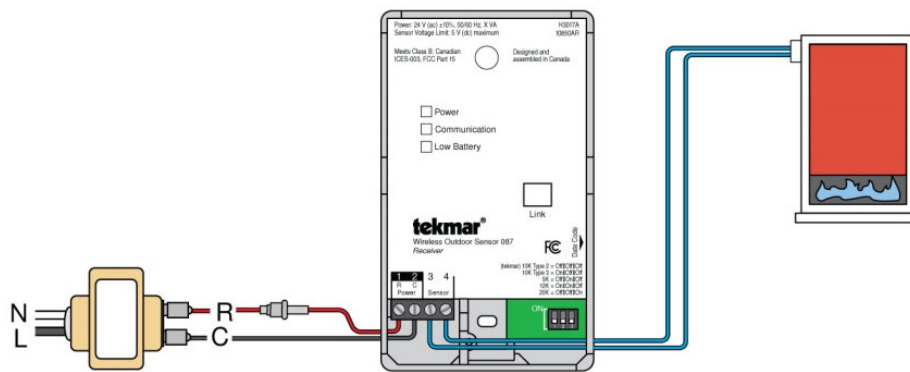


Wireless Outdoor Sensor 087 Equipment Wiring Guide

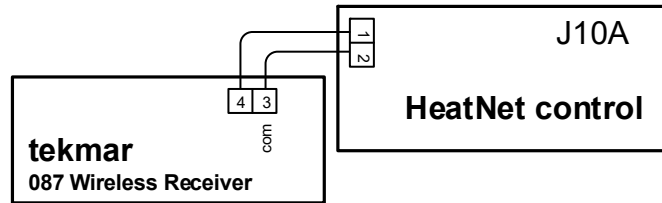
It is required to use a separate transformer to power the 087 Receiver when wiring the sensor output to a boiler; failure to do so may result in damage to the boiler control.



The Wireless Outdoor Sensor 087 has polarized sensor output. The 'com' sensor output must be wired to the 'com' outdoor sensor terminal on the boiler control. Some boiler models do not label the polarity of the outdoor sensor terminals. Below are installation diagrams for some of these identified boilers:

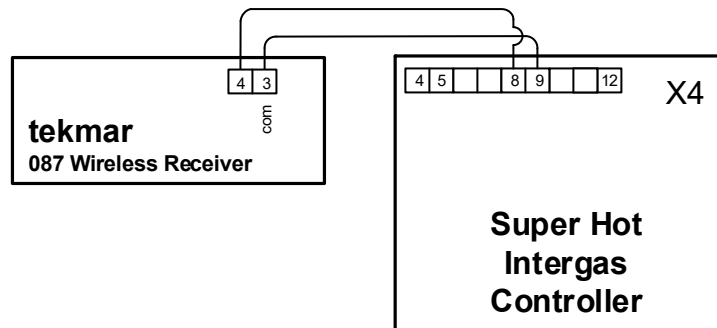
Advanced Thermal Hydronics (ATH)

Fig. 1: tekmar Wireless Outdoor Sensor to KN Series models



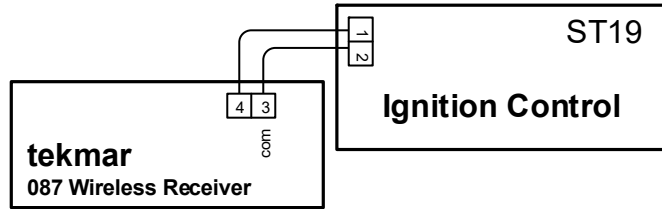
Allied Engineering

Fig. 2: tekmar Wireless Outdoor Sensor to Allied HSE boiler models



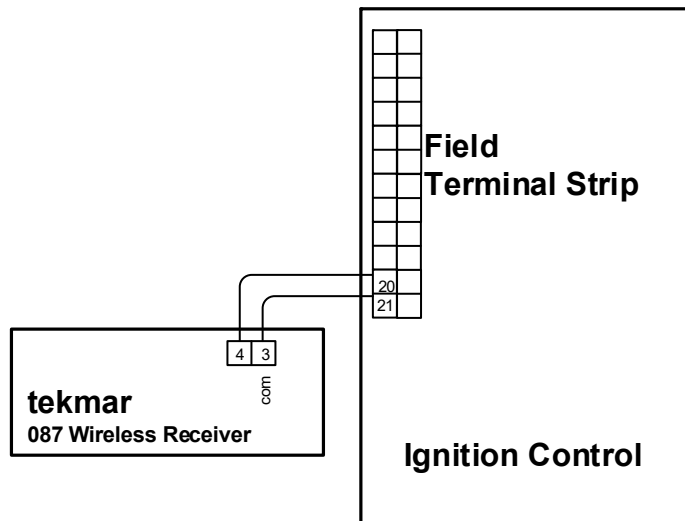
Bosch

Fig. 3: tekmar Wireless Outdoor Sensor to Bosch Greenstar



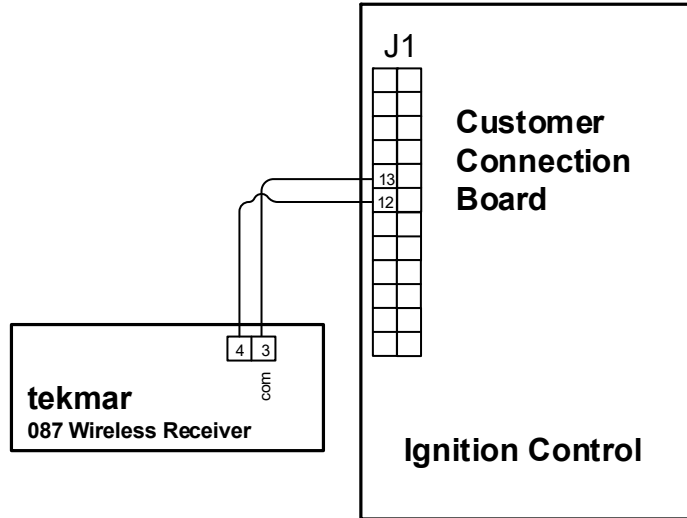
Camus

Fig. 4: tekmar Wireless Outdoor Sensor to Camus models



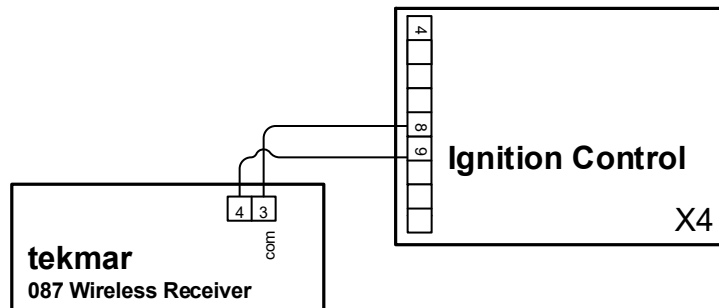
HTP

Fig. 5: tekmar Wireless Outdoor Sensor to Elite, Elite Premier, EFT, MODCON, EnduroTI & Pioneer

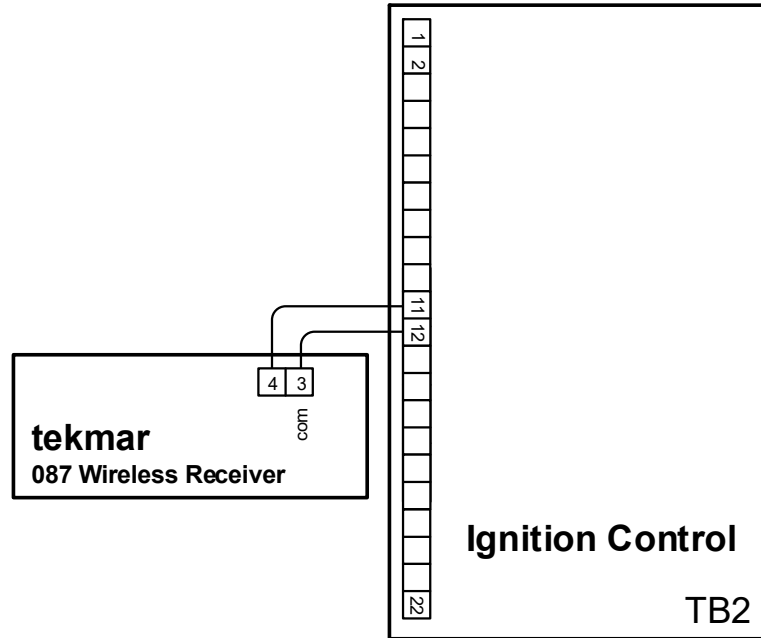


IBC

Fig. 6: tekmar Wireless Outdoor Sensor to IBC DC & HC Series models



**Fig. 7: tekmar Wireless Outdoor Sensor to IBC
SL & VFC Series models**



Laars

**Fig. 8: tekmar Wireless Outdoor Sensor to Laars
Mascot FT**

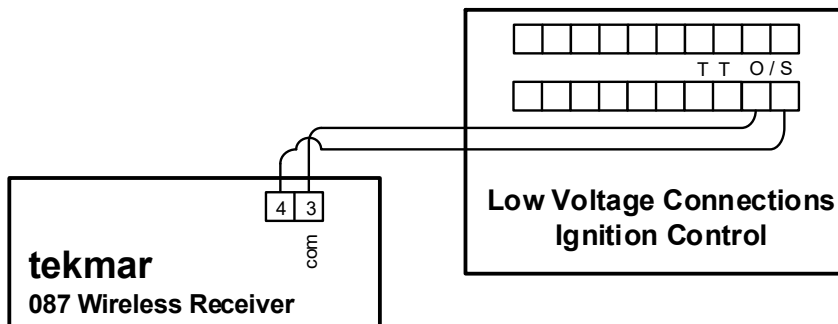


Fig. 9: tekmar Wireless Outdoor Sensor to Laars Mascot LX

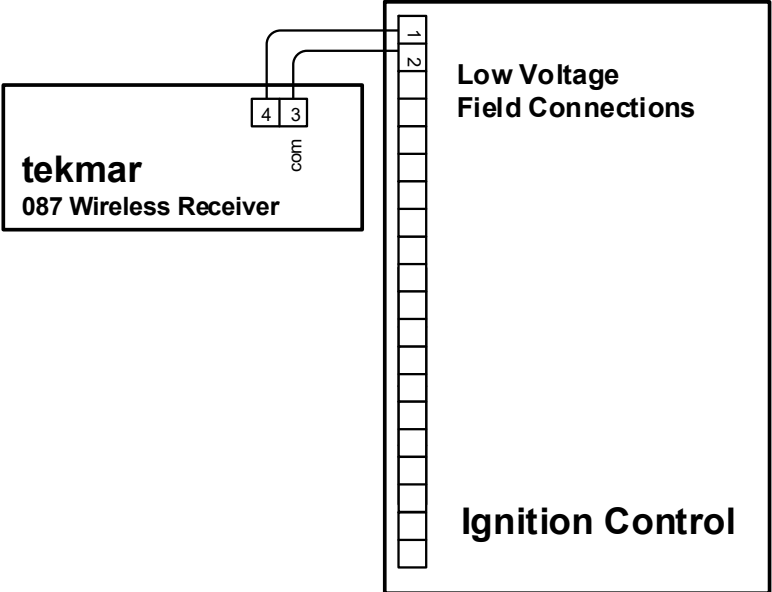
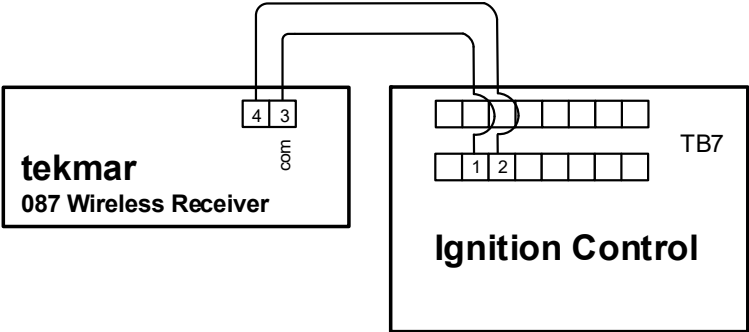


Fig. 10: tekmar Wireless Outdoor Sensor to Laars NeoTherm



Lochinvar

Fig. 11: tekmar Wireless Outdoor Sensor to Lochinvar Crest

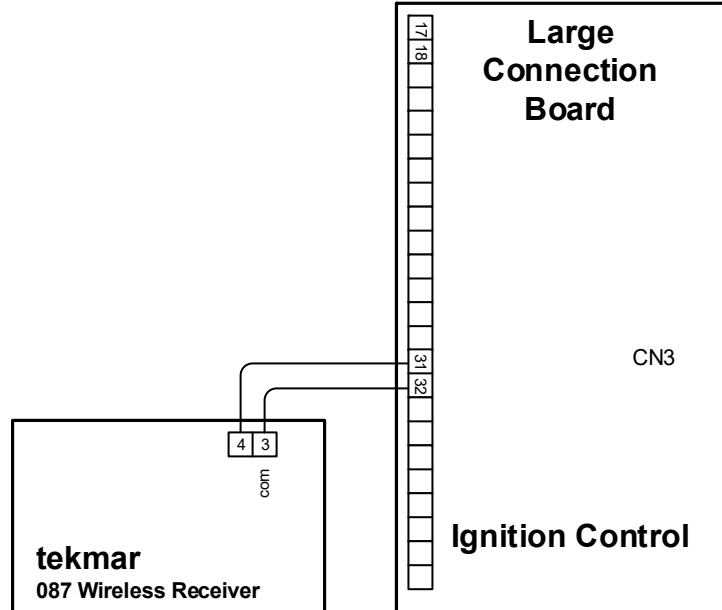


Fig. 12: tekmar Wireless Outdoor Sensor to Lochinvar Knight KH 55-285

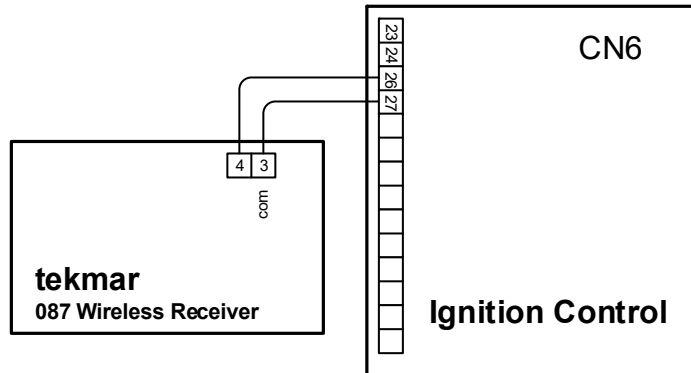


Fig. 13: tekmar Wireless Outdoor Sensor to Lochinvar Sync

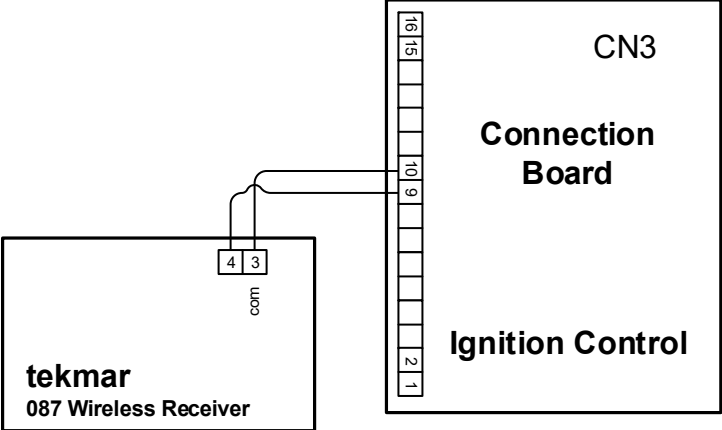


Fig. 14: tekmar Wireless Outdoor Sensor to Lochinvar Knight KB, WB, WH, and XL models

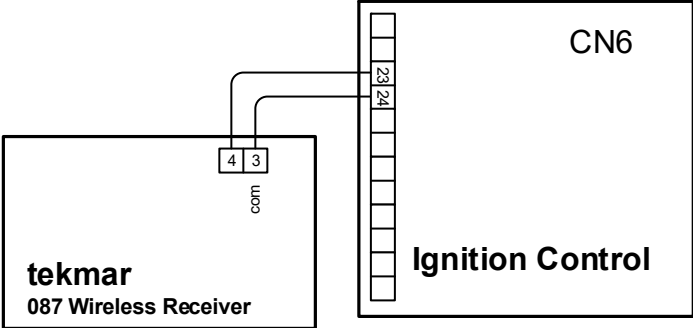
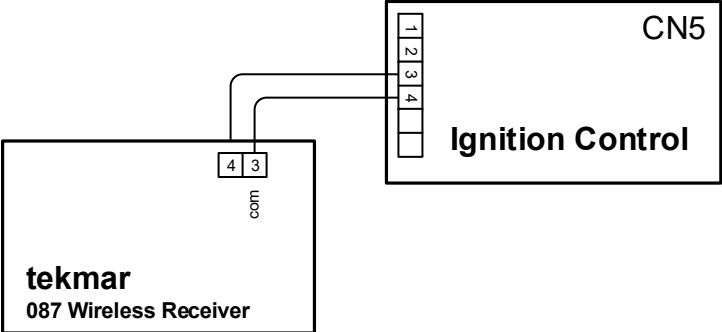
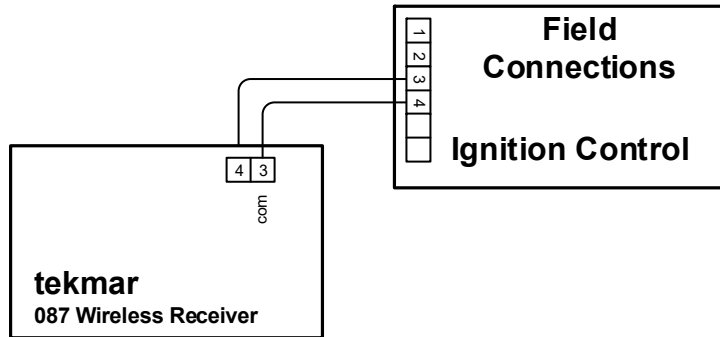


Fig.15: tekmar Wireless Outdoor Sensor to Lochinvar Cadet



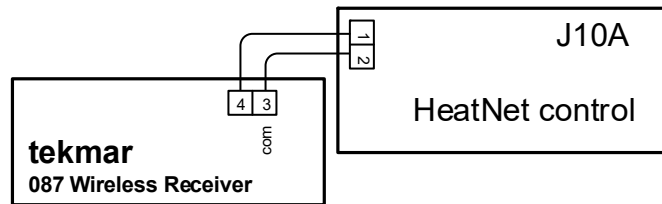
Peerless

Fig. 16: tekmar Wireless Outdoor Sensor to Peerless Purefire



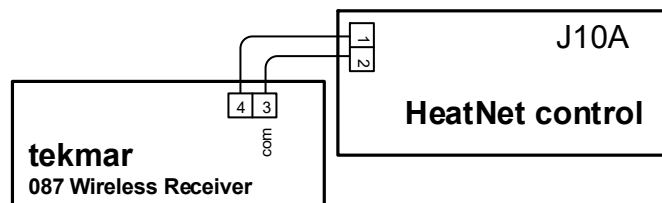
RBI

Fig. 17: tekmar Wireless Outdoor Sensor to RBI Flexcore & Futera (excluding Series II)



Smith Boiler

Fig. 18: tekmar Wireless Outdoor Sensor to Smith Boiler (HeatNet equipped models)



Triangle Tube

Fig. 19: tekmar Wireless Outdoor Sensor to Triangle Tube Prestige ACVMax

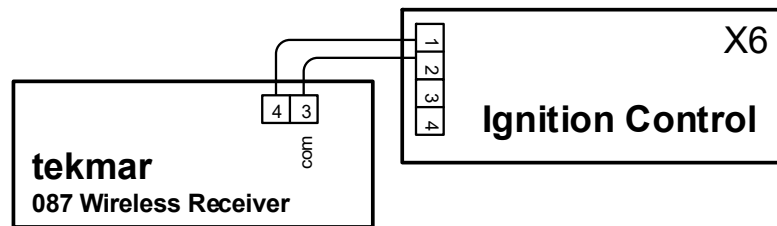
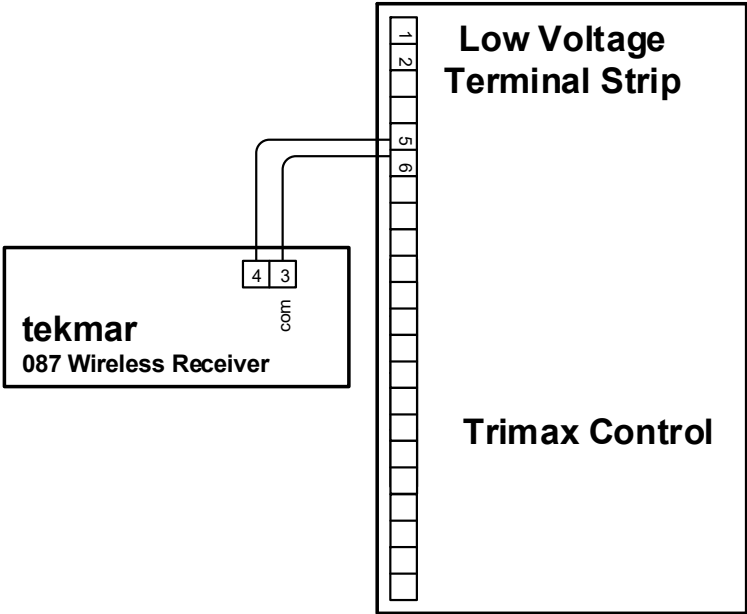


Fig. 20: tekmar Wireless Outdoor Sensor to Triangle Tube Prestige Solo & Excellence



Viessmann

Fig. 21: tekmar Wireless Outdoor Sensor to Vitodens 100 B1HA and B1KA

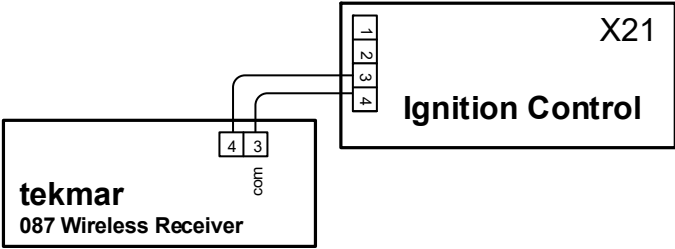


Fig. 22: tekmar Wireless Outdoor Sensor to Vitodens 100 WB1B

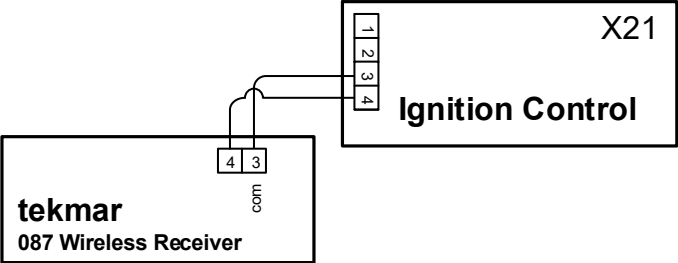
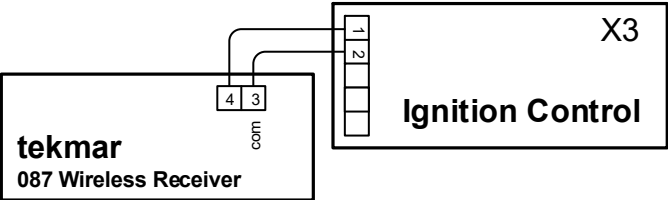
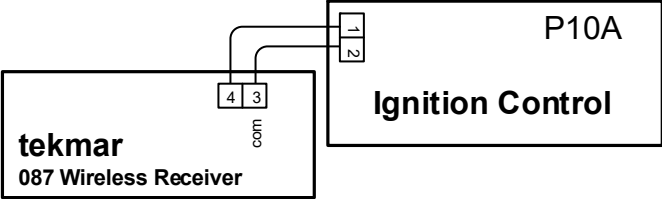


Fig. 23: tekmar Wireless Outdoor Sensor to Vitodens 200 B2HA / CU3A, Viessman 300 CU3A



Weil-McLain

Fig. 24: tekmar Wireless Outdoor Sensor to Weil-McLain models Evergreen, Ultra and 97+



tekmar controllers

Fig. 25: tekmar Wireless Outdoor Sensor to tekmar controllers

