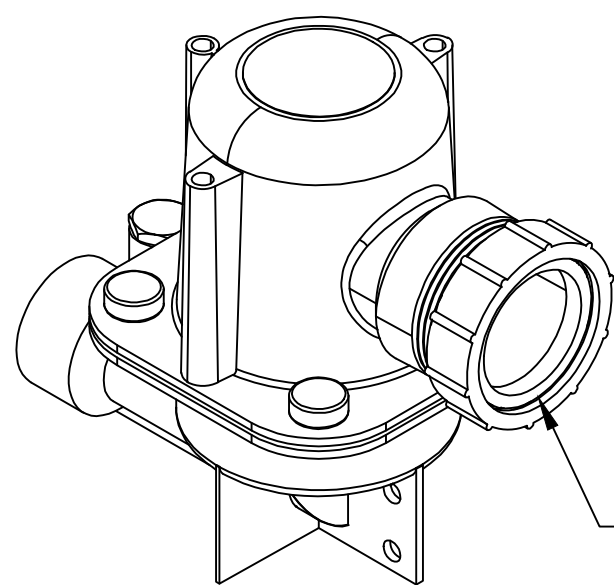
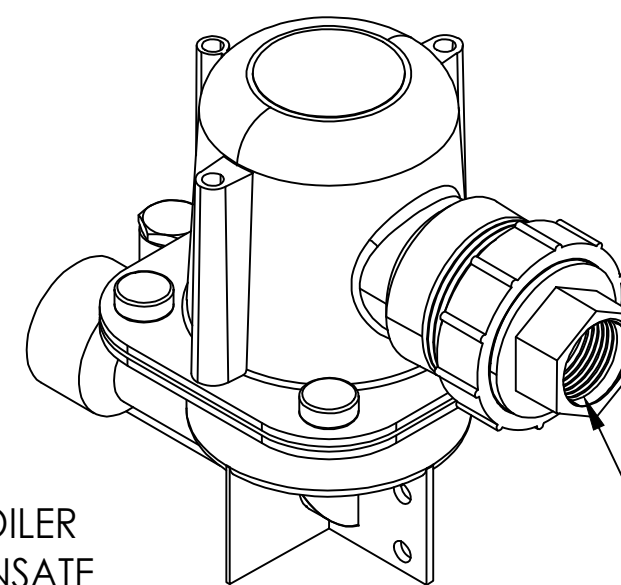


EXPLODED VIEW

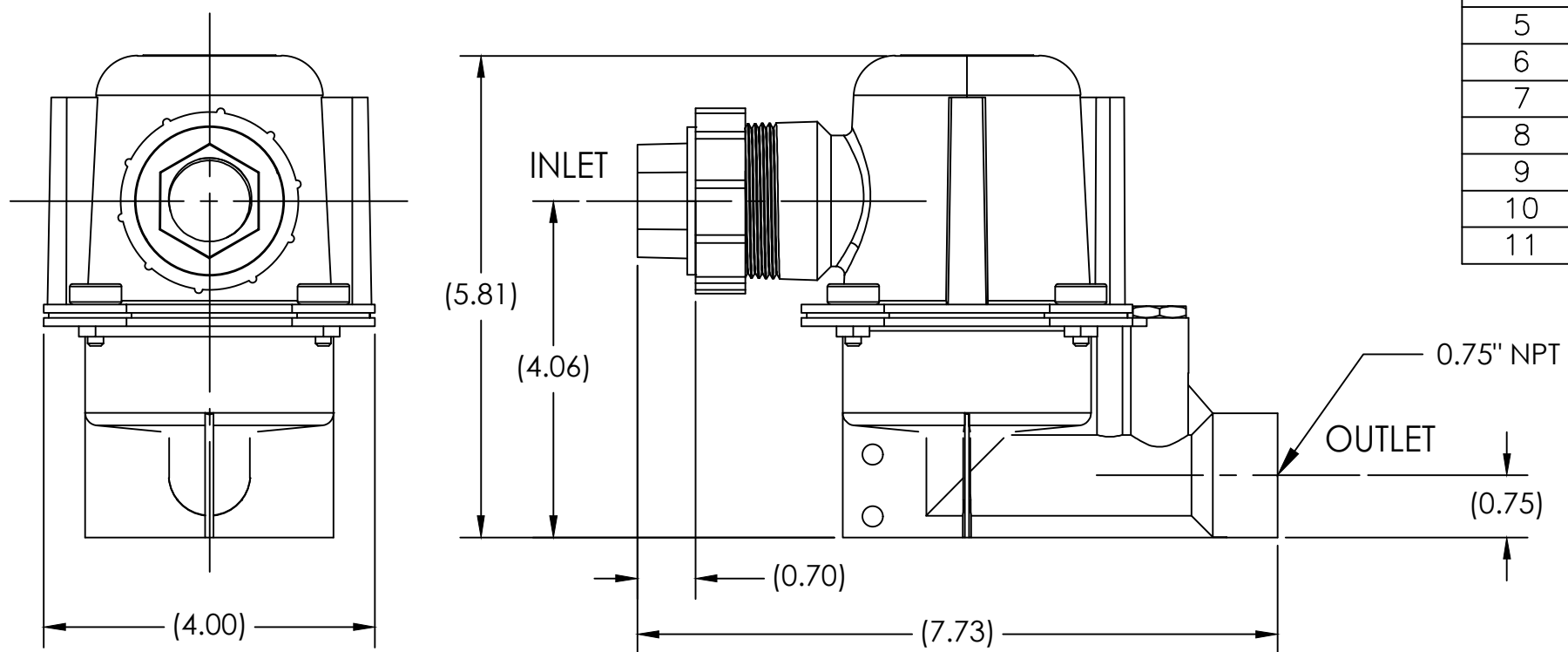


1-1/2" BOILER
CONDENSATE
DRAIN INLET



3/4" BOILER
CONDENSATE
DRAIN INLET

ITEM NO.	DESCRIPTION	STANDARD	RETROFIT
		(SHIPS WITH NEW BOILER)	KIT
1	CONDENSATE TRAP TOP	24762	24762-1
2	CONDENSATE TRAP, LOWER	1	1
3	CONDENSATE TRAP ADAPTER	1	1
4	MOLDED CONDENSATE TRAP GASKET	1	1
5	BALL, CONDENSATE POLYPROPYLENE	1	1
6	NO STEP WARNING LABEL	1	1
7	HEX HEAD PIPE PLUG 1/4 NPT	1	1
8	SLIP NUT	1	1
9	THUMBSCREW # 10-32 X .50 LG	4	4
10	GASKET, MOLDED CONDENSATE TRAP BMK SLIP JOINT	1	1
11	PRINTED TID-0252 FOR RETROFIT	-	1



AERCO
A WATTS Brand

100 ORITANI DRIVE IBLAUVELT, NY 10913
aerco.com

CONDENSATE TRAP ASSEMBLY
(P/N 24762-TAB)

DWN. BY <u>K.S.</u> DATE <u>061724</u>	AP-A-1099	REV.
SCALE <u>NTS</u> SIZE <u>A</u>		A
REV. BY <u> </u> DATE <u> </u>		