

Engineering Specification

Job Name _____

Contractor _____

Job Location _____

Approval _____

Engineer _____

Contractor's P.O. No. _____

Approval _____

Representative _____

LEAD FREE*

MasterSeries® Model LF886W/WZ-FS Reduced Pressure Zone Detector Backflow Prevention Assemblies (Type-II)

4" – 10"

FEBCO® MasterSeries® LF886W/WZ Reduced Pressure Zone Detector Assembly is specifically designed to provide drop-in replacement of competitor's valves in either the N-pattern (LF886W-FS) or Z-pattern (LF886WZ-FS) orientation. It protects against possible backpressure and backsiphonage conditions for high hazard (that is, toxic) application in accordance with Local Governing Water Utility Codes. This backflow preventer is primarily used on potable drinking water systems where Local Governing Codes mandate protection from non-potable quality water being pumped or siphoned back into the potable water system.

The ductile iron body is fused with ArmorTek™ technology to resist corrosion due to microbial induced corrosion (MIC) or exposed metal substrate. The series features Lead Free construction to comply with low lead installation requirements. The Lead Free Reduced Pressure Zone Detector Assemblies shall comply with state codes and standards, where applicable, requiring reduced lead content.

The series includes an integrated flood sensor to detect excessive water discharges from the relief valve. When activated through an add-on sensor connection kit, the flood sensor relays a signal that triggers a multichannel alert (call, email, text) to notify personnel about potential flooding. The add-on sensor connection kit is available for both building management systems, or BMS, and cellular communication. (For more information, refer to *Installation, Maintenance, and Repair Manual, Series LF880V-FS and LF886V-FS.*)

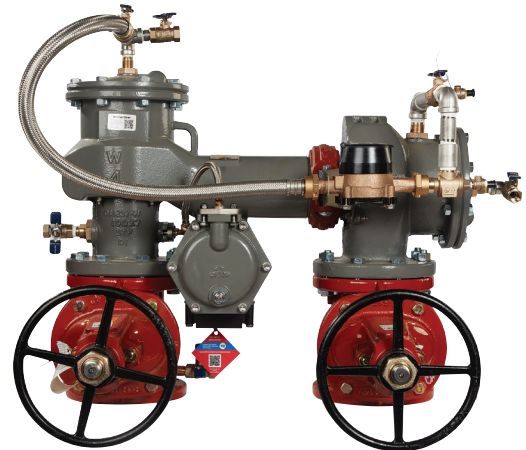
Features

Main Valve:

- Stainless steel relief valve seat and stainless steel check components for maximum performance and durability
- Longer gate-to-gate length for drop-in replacement of longer valves
- Inline serviceable assembly
- No special tools required for servicing
- Captured modular spring assembly
- Reversible and replaceable discs
- Field replaceable seats
- Ductile iron valve body design
- Utilizes advanced ArmorTek™ coating technology to resist corrosion of internals

*The wetted surface of this product contacted by consumable water contains less than 0.25% of lead by weight.

FEBCO product specifications in U.S. customary units and metric are approximate and are provided for reference only. For precise measurements, please contact FEBCO Technical Service. FEBCO reserves the right to change or modify product design, construction, specifications, or materials without prior notice and without incurring any obligation to make such changes and modifications on FEBCO products previously or subsequently sold.



LF886W-FS-OSY-GPM

- Modular and repairable pressure differential relief valve
- Clapper check assembly
- Captured O-ring design
- Integrated sensor for flood detection, activated by add-on connection kit

Auxiliary Bypass:

- Compact bypass design; remains in main valve assembly profile
- Inline serviceable 3/4" check assembly
- No special tools required for servicing
- Field replaceable seat and disc
- Detect potential underground water leaks
- Detect unauthorized water usage

NOTICE

Use of the integrated flood sensor does not replicate the need to comply with all required instructions, codes, and regulations related to installation, operation, and maintenance of this product, including the need to provide proper drainage in the event of a discharge.

Watts® is not responsible for the failure of alerts due to connectivity or power issues.

NOTICE

The information contained herein is not intended to replace the full product installation and safety information available or the experience of a trained product installer. You are required to thoroughly read all installation instructions and product safety information before beginning the installation of this product.

Inquire with governing authorities for local installation requirements.



A WATTS Brand

Specification

FEBCO MasterSeries LF886W/WZ Reduced Pressure Zone Detector Assembly shall be installed on the potable water supply and at each point of cross-connection to protect against possible backpressure and backsiphonage conditions for high hazard (that is, toxic) applications. The assembly shall consist of a main line valve body composed of two (2) independently acting approved clapper style check modules with replaceable seats and disc rubbers. Servicing of both check modules does not require any special tools and are accessed through independent top entry covers. This assembly shall be fitted with UL Classified and FM Approved inlet/outlet resilient seated shutoff valves and contain four (4) properly located resilient seated test cocks as specified by AWWA Standard C511. The auxiliary bypass line contains a 5/8" x 3/4" Water Meter that complies with ANSI/AWWA Standard C700 coupled with an approved check assembly compliant to AWWA Standard C511. The bypass line is designed to detect leaks or unauthorized water usage of the water system while protecting against possible backpressure and backsiphonage conditions for high hazard applications. The valve body shall utilize a coating system with built-in electrochemical corrosion inhibitor and microbial inhibitor. Flow and pressure loss performance parameters shall meet the requirements of AWWA Standard C511.

Model Suffix

FS	Integrated sensor for flood detection
OSY	UL Classified and FM Approved OS&Y gate valves (ANSI/AWWA C515 Compliant)
CFM	Totalizing cubic ft/min 5/8"x 3/4" water meter (ANSI/AWWA C700 Compliant)
GPM	Totalizing gal/min 5/8"x 3/4" water meter (ANSI/AWWA C700 Compliant)
LG	Less shutoff valves (This is NOT an APPROVED ASSEMBLY.)

Example Ordering Description

4" LF886W-FS-OSY-GPM - Valve assembly fitted with flood sensor, OS&Y shutoff valves, and gallons per minute water meter

4" LF886W-FS-OSY-CPM - Valve assembly fitted with flood sensor, OS&Y shutoff valves, and cubic meter per minute water meter

Available Components

Wye Strainer - FDA Approved (ASME B16.1 Class 125 & AWWA Class D Flange)

Approvals – Standards

- Foundation for Cross-Connection Control and Hydraulic Research at The University of Southern California (FCCCHR-USC)
- ASSE 1047
- UL Classified** (US & Canada)
- FM Approved**
- IAPMO/cUPC
- AWWA Standard C511 Compliant
- End Connections - Compliant to ASME B16.1 Class 125 & AWWA Class D Flange



Assembly Flow Orientation

Horizontal (N-Pattern 4" – 10") - Approved by FCCCHR-USC, ASSE, cULus, FM, IAPMO/cUPC

Vertical Up (Z-Pattern 4" – 10") - Approved by FCCCHR-USC, ASSE, cULus, FM, IAPMO/cUPC

**Assembly configured with UL Classified and FM Approved OS&Y RW gate valves. Less gate valve assemblies are not UL Classified and FM Approved configurations.

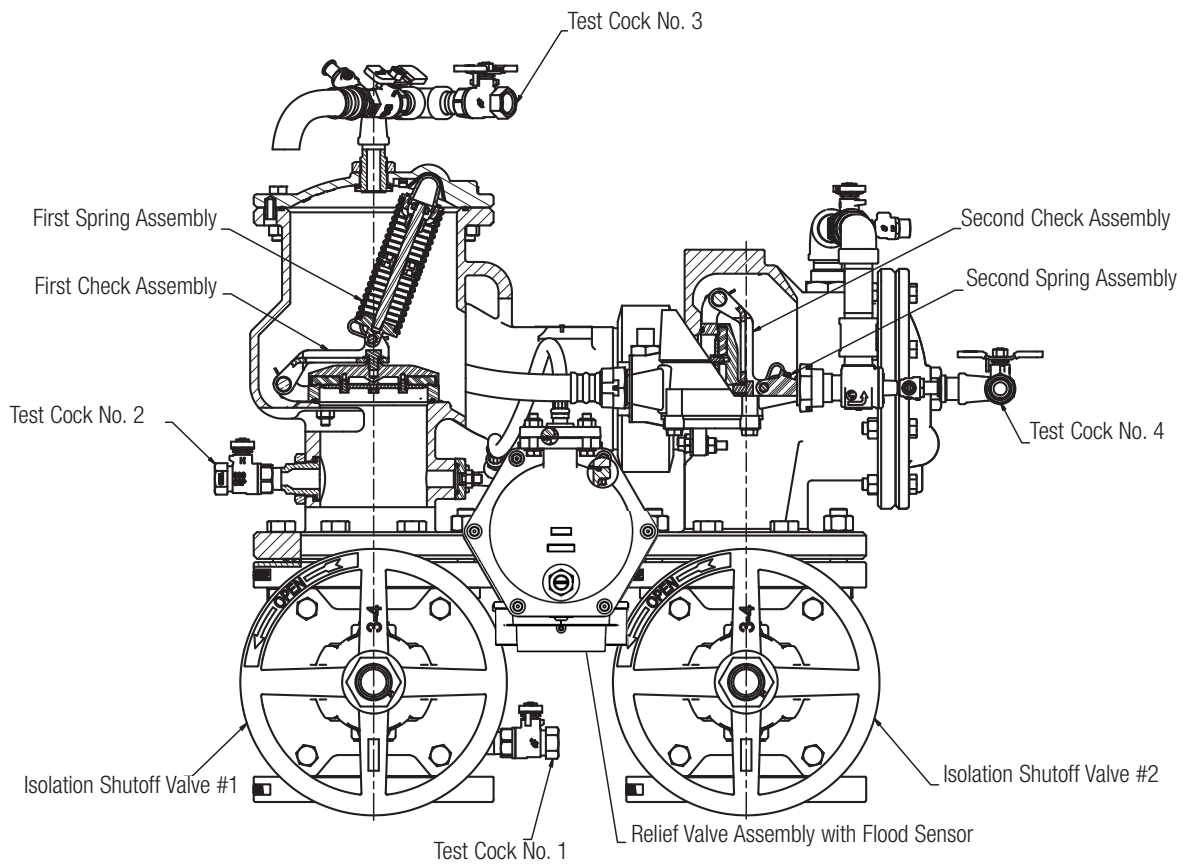
Materials

All assemblies (sizes 2½" to 10") are similar in materials and construction. Contact your local FEBCO representative if you require further information.

Main Valve Body	Ductile iron Grade 65-45-12
Relief Valve Body	Ductile iron Grade 65-45-12
Coating	Fusion epoxy coated internal and external AWWA C550-90
Shutoff Valves	OSY resilient wedge gate valve AWWA C515 (UL Classified and FM Approved)
Check Seats	Stainless steel
Relief Valve Seat	Stainless steel
Disc Holder	Stainless steel
Elastomer Disc	Silicone
Spring	Stainless steel
Clamp	AWWA C606

Pressure - Temperature

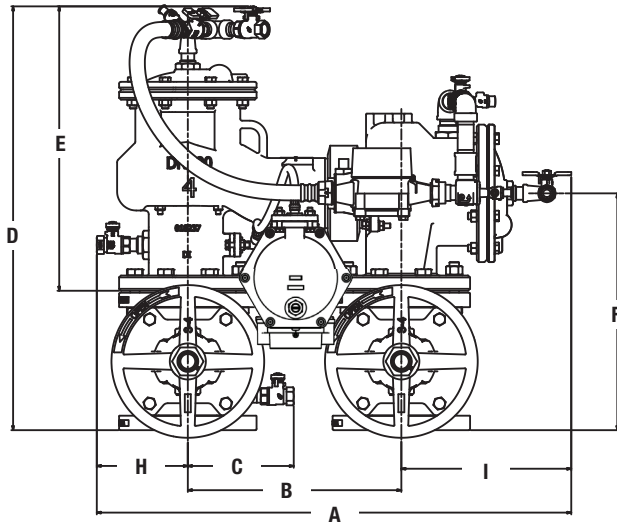
Max. Working Pressure	175 psi (12.1 bar)
Min. Working Pressure	20 psi (1.4 bar)
Hydrostatic Test Pressure	350 psi (24.1 bar)
Hydrostatic Safety Pressure	700 psi (48.3 bar)
Temperature Range	33°F-140°F (0.5°C- 60°C) continuous



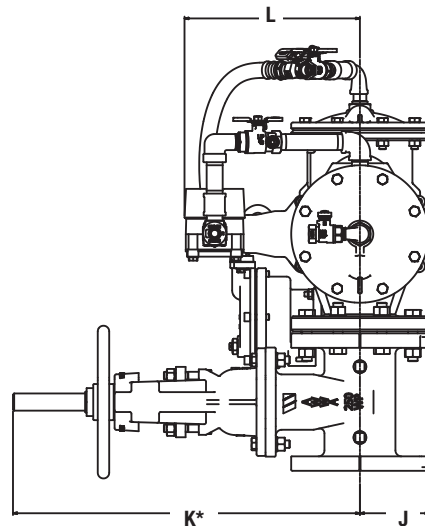
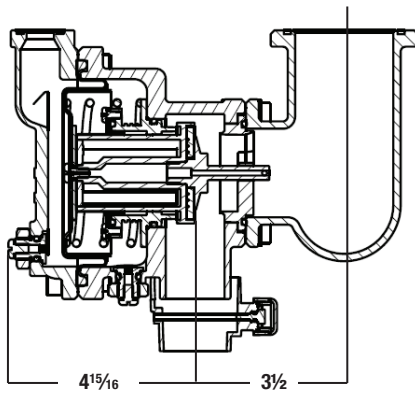
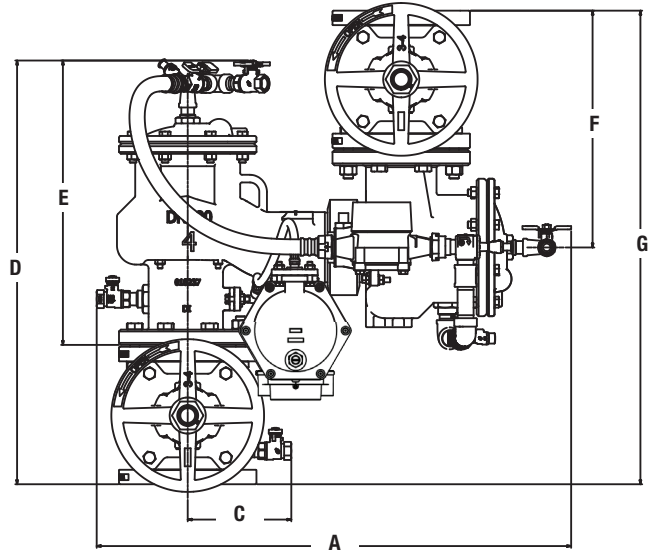
Dimensions & Weights

Below are the nominal dimensions and physical weights for Model LF886W/WZ, sizes 4" to 10". Allowances must be made for normal manufacturing tolerances. Download installation instructions at watts.com, or contact your local FEBCO representative for more information.

Standard (N-pattern) Orientation



Vertical (Z-pattern) Orientation



SIZE	DIMENSIONS															WEIGHT**														
	A (W)	A (Z)	B (W)	B (Z)	C	D	E	F	G	H	I	J	K*	L	OSY															
in.	in.	mm	in.	mm	in.	mm	in.	mm	in.	mm	in.	mm	in.	mm	in.	mm	lb	kg												
4	32 ³ / ₁₆	818	32 ¹³ / ₁₆	833	18 ⁹ / ₁₆	465	18 ¹⁹ / ₁₆	481	7	178	27 ³ / ₄	705	18 ⁹ / ₁₆	476	15 ¹ / ₂	394	31	787	6	152	11 ¹ / ₈	283	4 ¹ / ₂	114	23 ³ / ₄	591	13	330	342	155
6	34 ¹ / ₁₆	887	37 ¹ / ₄	946	18 ¹¹ / ₁₆	475	21	533	8	203	32 ³ / ₄	831	22 ¹ / ₈	562	18 ⁵ / ₈	473	37 ¹ / ₄	946	7 ¹ / ₄	184	12 ¹ / ₂	316	5 ¹ / ₂	140	30 ³ / ₈	765	13	330	530	240
8	48	1219	49 ⁹ / ₁₆	1253	29	737	30 ³ / ₁₆	770	9 ¹ / ₄	235	36 ³ / ₄	933	25 ¹ / ₈	638	20 ³ / ₄	527	41 ¹ / ₂	1054	8 ¹ / ₂	216	14	356	6 ³ / ₄	172	37 ³ / ₄	959	14 ¹ / ₂	368	846	384
10	50 ¹ / ₁₆	1272	51 ⁵ / ₁₆	1304	29	737	30 ³ / ₁₆	533	10 ⁷ / ₁₆	264	41 ¹ / ₁₆	1047	28 ¹ / ₈	714	23 ¹¹ / ₁₆	601	47 ⁷ / ₁₆	1202	9 ⁵ / ₈	244	15 ¹¹ / ₁₆	398	8	203	45 ¹ / ₄	1162	13 ¹ / ₈	333	1363	618

* Indicates nominal dimensions with OSY gate valves (full open positions).

** Indicates weight of complete backflow assemblies with specified gate valves.

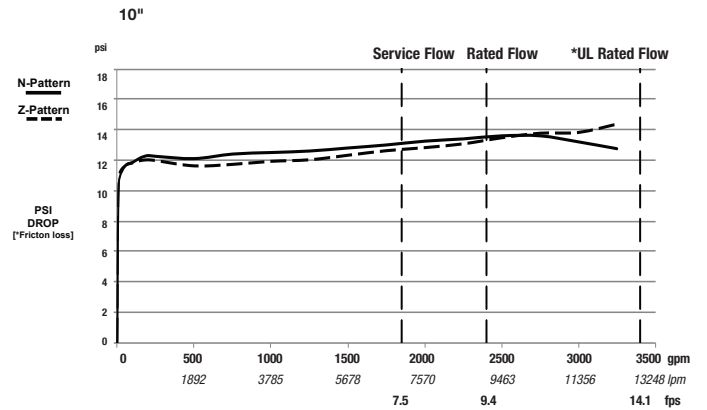
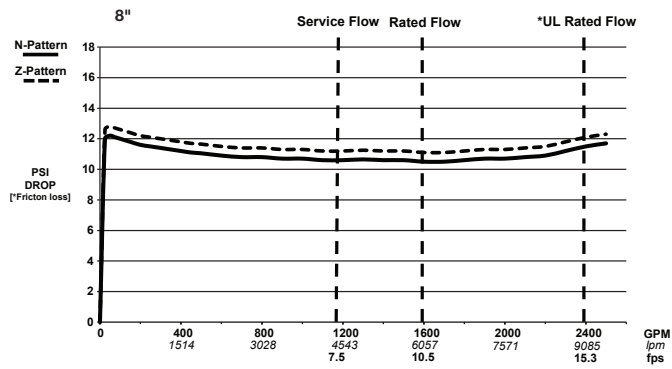
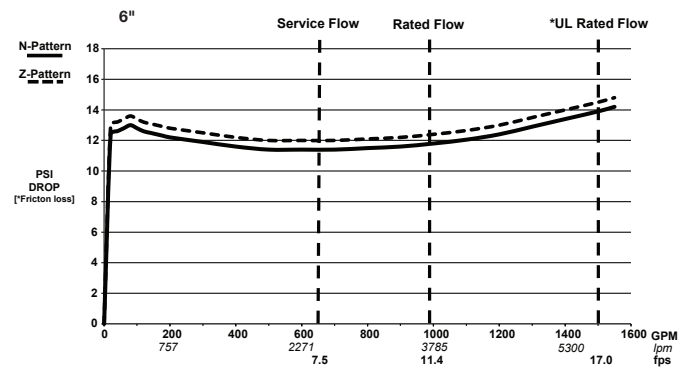
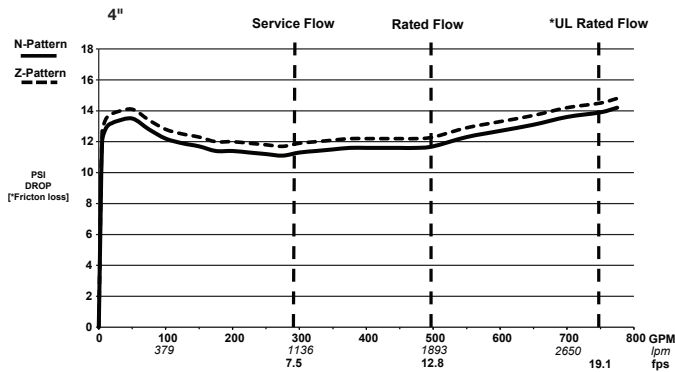
The gap drain is not designed to catch the maximum discharge possible from the relief valve. The installation of the FEBCO air gap with the drain line terminating above a floor drain handles any normal discharge or nuisance spitting through the relief valve. However, floor drain size may need to be designed to prevent water damage caused by a complete failure condition. Do not reduce the size of the drain line from the air gap fitting.

Performance

The flow capacity chart identifies valve performance based upon rated water velocity up to 20 fps.

- Maximum service flow rate is determined by maximum rated velocity of 7.5 fps.
- AWWA Manual M-22 (Appendix C) recommends that the maximum water velocity in the services be not more than 10 fps.
- UL flow rate is determined by typically rated velocity of 15 ft/sec.

Capacity



A WATTS Brand

USA: T: (800) 767-1234 • FEBCOonline.com
 Canada: T: (888) 208-8927 • FEBCOonline.ca
 Latin America: T: (52) 55-4122-0138 • FEBCOonline.com