

BASE COMPONENTS & LABELS

ITEM	PART NO.	QTY	DESCRIPTION
1	34026	1	BASE
2	33099	1	PIPING FRAME, RIGHT
3	33098	1	PIPING FRAME, LEFT
4	33102	1	MIXING BOX BRACKET
5	72010-18	1	LABEL, DOMESTIC INLET
6	72010-19	1	LABEL, BOILER INLET
7	72010-17	1	LABEL, DOMESTIC OUTLET
8	72010-20	1	LABEL, BOILER OUTLET
9	74010	2	SMART PLATE LOGO
10	SEE TABLE	2	ADJUSTING FEET 3/8 DIA
11	SEE TABLE PG.11	1	CONTROL BOX ASSY.
12	SEE TABLE	1	HEAT EXCHANGER
13	92065-1	1	RELIEF VALVE(P&T)
14	93521	1	HEX. RED. BUSHING
15	SEE TABLE	1	CLAMPING "U" BOLT
16	SEE TABLE	4	CLAMPING "U" BOLT
17	SEE TABLE	1	HEAT EXCHANGER END SUPPORT BKT.
18	SEE TABLE	1	REAR FOOT BRACKET
19	33091	1	HEAT EXCHANGER MOUNT
20	33105	2	PIPE SUPPORT LOWER BRACKET
21	33106	1	ADJUSTER PIPING SUPPORT BRACKET
22	27099	1	KIT, AIR BLEEDER VALVE

DESCRIPTION	ITEM10	ITEM 12	ITEM15	ITEM16	ITEM17	ITEM18
SPDW-23(60 Hz)	N/A	28104-1	55058	55033	N/A	N/A
SPDW-32(60 Hz)	N/A	28104-2	55058	55033	N/A	N/A
SPDW-42(60Hz)	N/A	28104-3	55059	123557	N/A	N/A
SPDW-61(60Hz)	N/A	28104-4	55059	123557	N/A	33103
SPDW-113(60Hz)	59134	28104-5	55059	123557	33095	33103
SPDW-23(50 Hz)	N/A	28104-1	55058	55033	N/A	N/A
SPDW-32(50 Hz)	N/A	28104-2	55058	55033	N/A	N/A
SPDW-42(50Hz)	N/A	28104-3	55059	123557	N/A	N/A
SPDW-61(50Hz)	N/A	28104-4	55059	123557	N/A	33103
SPDW-113(50Hz)	59134	28104-5	55059	123557	33095	33103

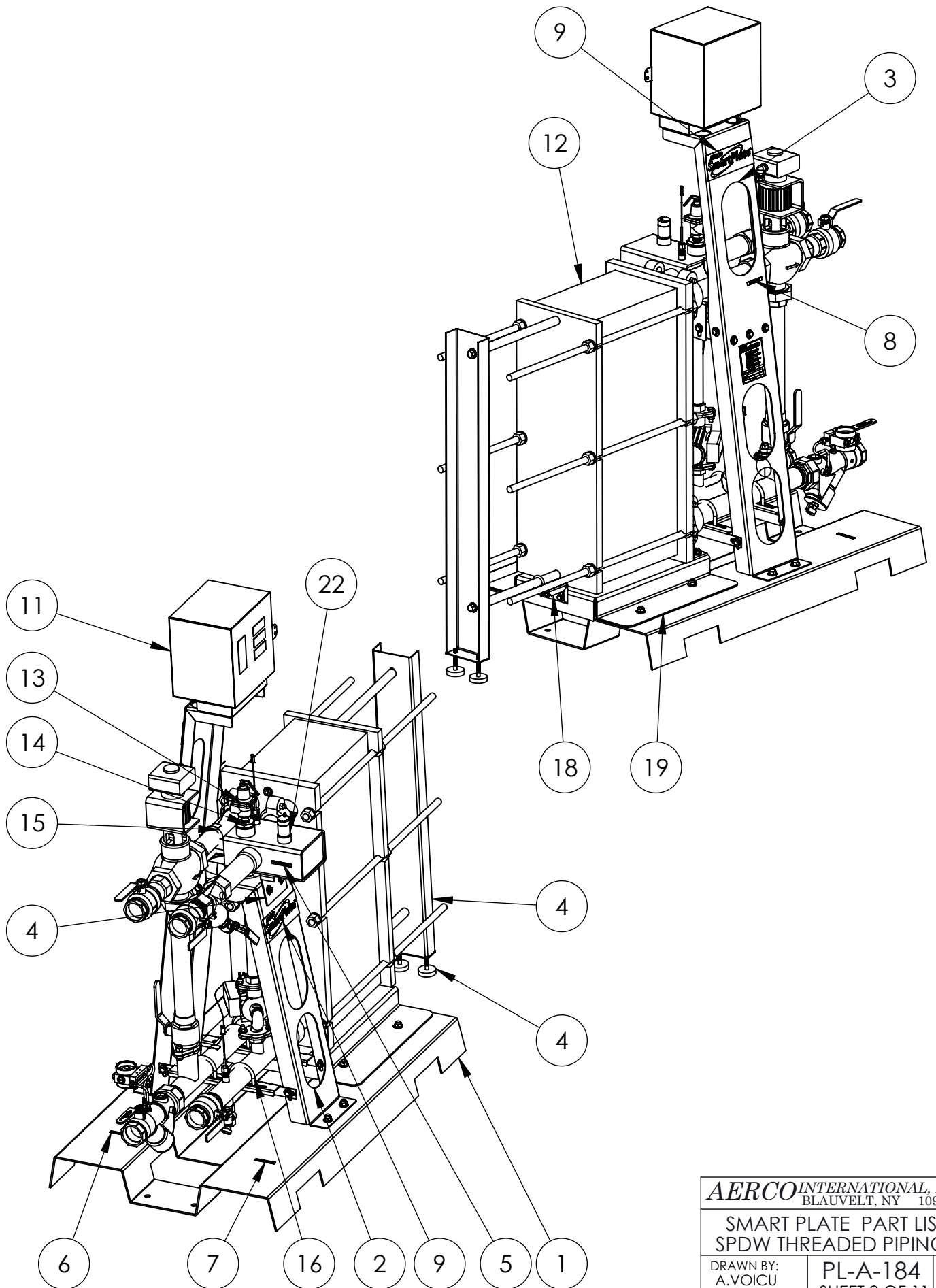
AERCO INTERNATIONAL, INC.
BLAUVELT, NY 10913

SMART PLATE PART LIST
SPDW THREADED PIPING

DRAWN BY:
A.VOICU
DATE: 7/24/15

PL-A-184
SHEET 1 OF 11

REV
A



AERCO INTERNATIONAL, INC.
BLAUVELT, NY 10913

SMART PLATE PART LIST
SPDW THREADED PIPING

DRAWN BY:
A.VOICU
DATE: 7/24/15

PL-A-184
SHEET 2 OF 11

REV
A

BASE COMPONENTS & LABELS SP 200 PSI

ITEM	PART NO.	QTY	DESCRIPTION
1	34026	1	BASE
2	33099	1	PIPING FRAME, RIGHT
3	33098	1	PIPING FRAME, LEFT
4	33102	1	MIXING BOX BRACKET
5	72010-18	1	LABEL, DOMESTIC INLET
6	72010-19	1	LABEL, BOILER INLET
7	72010-17	1	LABEL, DOMESTIC OUTLET
8	72010-20	1	LABEL, BOILER OUTLET
9	74010	2	SMART PLATE LOGO
10	SEE TABLE	2	ADJUSTING FEET 3/8 DIA
11	SEE TABLE PG.11	1	CONTROL BOX ASSY.
12	SEE TABLE	1	HEAT EXCHANGER
13	92065-1	1	RELIEF VALVE
14	12610-8-5	1	HEX. RED. BUSHING
15	SEE TABLE	1	CLAMPING "U" BOLT
16	SEE TABLE	4	CLAMPING "U" BOLT
17	SEE TABLE	1	HEAT EXCHANGER END SUPPORT BKT.
18	SEE TABLE	1	REAR FOOT BRACKET
19	33091	1	HEAT EXCHANGER MOUNT
20	33105	2	PIPE SUPPORT LOWER BRACKET
21	33106	1	ADJUSTER PIPING SUPPORT BRACKET
22	93505	1	REDUCING BUSHING, 1" x 3/4 NPT
23	93451	1	NIPPLE, 3/4" SCH 40 x 2" LG
24	92130	1	VALVE, AIR BLEADER 3/4" NPT 200 PSI
25	92111	1	PRESSURE VALVE, BRONZE, 150#

◆ ONLY FOR NY UNITS

DESCRIPTION	ITEM10	ITEM 12	ITEM15	ITEM16	ITEM17	ITEM18
SPDW-23(60 Hz), 200 PSI	N/A	28104-6	55058	55033	N/A	N/A
SPDW-32(60 Hz), 200 PSI	N/A	28104-7	55058	55033	N/A	N/A
SPDW-42(60Hz), 200 PSI	N/A	28104-8	55059	123557	N/A	N/A
SPDW-61(60Hz), 200 PSI	N/A	28104-9	55059	123557	N/A	33103
SPDW-113(60Hz), 200 PSI	59134	28104-10	55059	123557	33095	33103
SPDW-23(50 Hz), 200 PSI	N/A	28104-6	55058	55033	N/A	N/A
SPDW-32(50 Hz), 200 PSI	N/A	28104-7	55058	55033	N/A	N/A
SPDW-42(50Hz), 200 PSI	N/A	28104-8	55059	123557	N/A	N/A
SPDW-61(50Hz), 200 PSI	N/A	28104-9	55059	123557	N/A	33103
SPDW-113(50Hz), 200 PSI	59134	28104-10	55059	123557	33095	33103

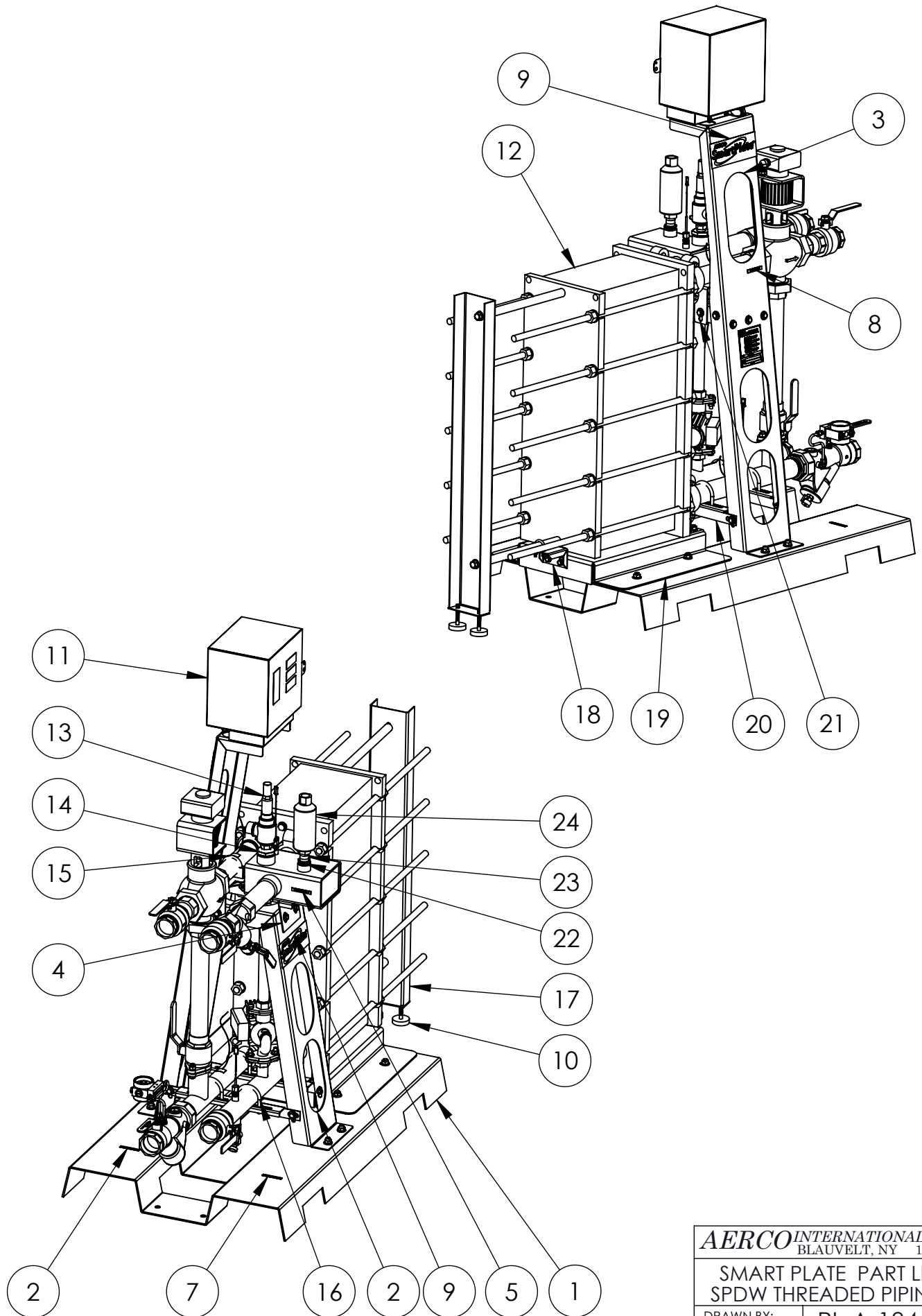
AERCO INTERNATIONAL, INC.
BLAUVELT, NY 10913

SMART PLATE PART LIST
SPDW THREADED PIPING

DRAWN BY:
A.VOICU
DATE: 7/24/15

PL-A-184
SHEET 3 OF 11

REV
A



AERCO INTERNATIONAL, INC.
BLAUVELT, NY 10913

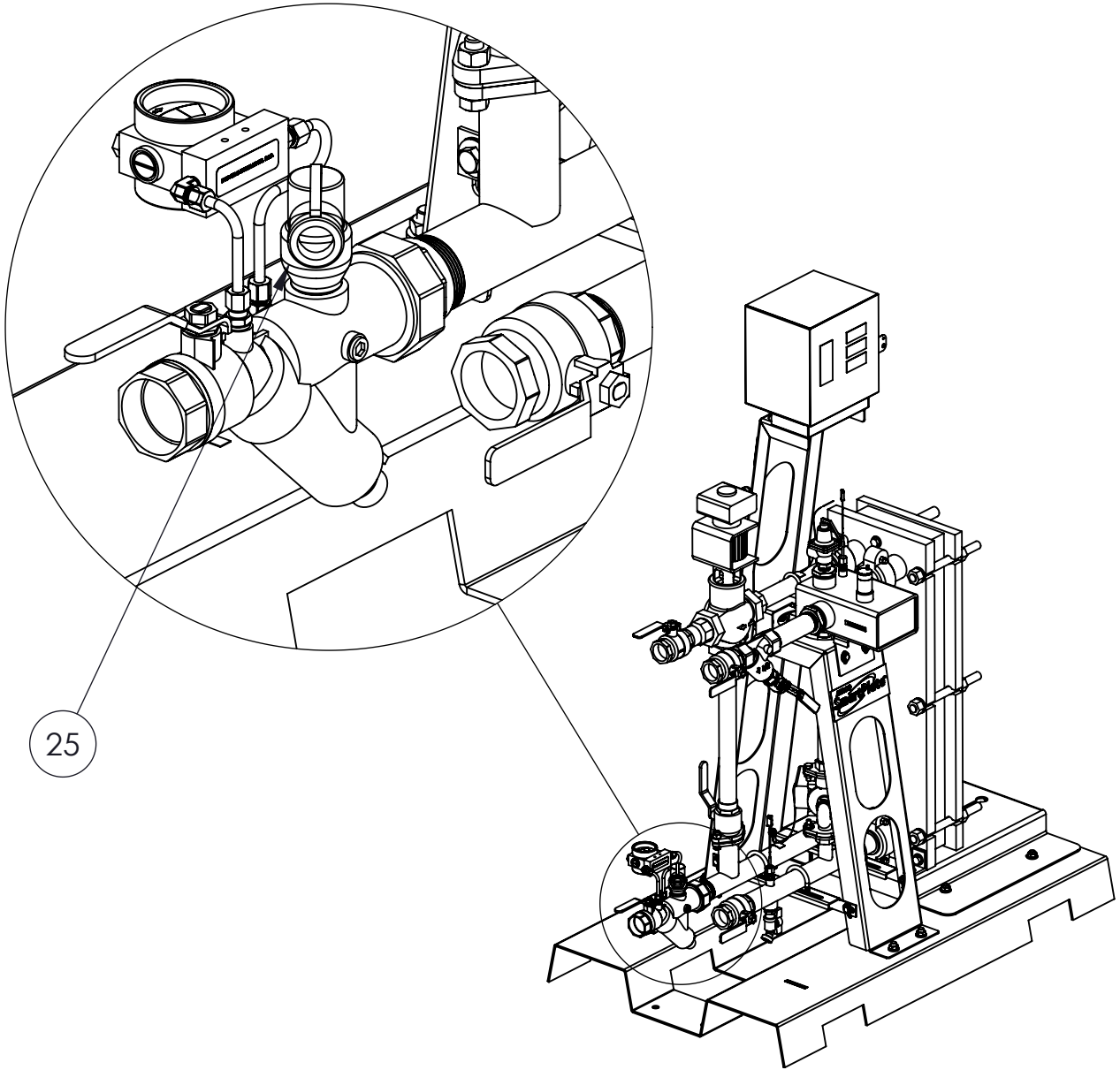
**SMART PLATE PART LIST
SPDW THREADED PIPING**

DRAWN BY:
A.VOICU
DATE: 7/24/15

PL-A-184
SHEET 4 OF 11

REV
A

ONLY FOR NY STATE SPDW-23 & SPDW-33



AERCO INTERNATIONAL, INC.
BLAUVELT, NY 10913

SMART PLATE PART LIST
SPDW THREADED PIPING

DRAWN BY:
A.VOICU
DATE: 7/24/15

PL-A-184
SHEET 5 OF 11

REV
A

1.5" PIPING ASSY. PARTS FOR SP-23/SP-33

ITEM	PART NO.	QTY	DESCRIPTION
26	92125-1.5	3	BALL VALVE, FULL PORT 1.5" NPT, LEAD FREE
27	92060	1	VALVE, 3/4" DRAIN MNPT X GHT
28	93029	1	1/4" MNPT x 3/16" OD COMPRESSION FITTING
29	99042-2	1	KIT, REPLACEMENT THERMOCOUPLE, DUAL ELEMENT
30	22251-2	1	MANIFOLD W/FREEDOM FLG, 1.5" NPT
31	93159	4	COUPLING, QUIK FLEX 2"
32	92049	1	COMBINATION BALL VALVE & STRAINER, 1 1/2 NPT
33	97020	1	1/4" MNPT x 1/4" OD PASS THROUGH COMPRESSION TUBE FITTING
34	91117	1	GAGE TUBE
35	97089	1	COMPRESSION TUBE ELBOW, 1/4" TUBE OD 1/8" MALE PIPE, BRASS
36	67002	1	PROCESS FILTER GAGE
37	97058	1	1/8" MNPT x 1/4" OD PASS THROUGH COMPRESSION TUBE FITTING
38	91043	1	GAGE TUBE
39	97088	1	COMPRESSION TUBE ELBOW, 1/4" TUBE OD 1/4" MALE PIPE, BRASS
40	69259-1	1	CARTRIDGE CIRCULATOR, 110 V 60 Hz, 200 PSI
	69259-2		CARTRIDGE CIRCULATOR, 220 V 50 Hz, 200 PSI
			SEE ITEM 54-60 FOR SPARE PARTS
41	22255-1	1	SPOOL PIECE WITH FREEDOM FLANGES, 8.40 LG
42	41023	1	WATER MANIFOLD
43	99042-1	1	KIT, REPLACEMENT THERMOCOUPLE, SINGLE ELEMENT
44	12610-9-8	1	2" x 1 1/2 REDUCING BUSHING
45	90056	1	1-1/2" NPT NIPPLE X 7" LG
46	93514-1.5	1	STRAINER 1.5"NPT, WYE-PATTERN, LEAD FREE BRONZE
47	9-234	1	CLOSE NIPPLE, 3/4" NPT SCH 40 RED BRASS
48	92128	1	FULL PORT VALVE, 3/4" NPT x 3/4 HOSE
49	90047-3	1	PIPE NIPPLE, SS SCH. 40, TBE, 1.5" X 3" LG.
50	93413	1	CLOSE NIPPLE, SS SCH 40, 1.5" NPT
51	92047-2	1	3-WAY CONTROL VALVE ASSY(INCLUDES ELECTONIC MODULE)
52	27033-2	1	REPLACEMENT TUBE & ADAPTOR, 1-1/2"
53	22272-1.5	1	KIT(IT. 26-33)BALL VALVE/STRAINER COMBO 1-1/2"+DIFF GAUGE)
54	27097	1	KIT(IT. 27-33) DIFFERENTIAL GAUGE ASSEMBLY
55	27098	1	KIT(29-31)DIFFERENTIAL GAUGE w/FITTINGS
56	88012	1	O-RING(set of 10) FOR BALL VALVE STRAINER COMBO 1-1/2"
57	61018	2	BOILER WATER SENSOR(NOT SHOWN ON DRAWING)
58	65092	1	VALVE ELECTRONIC MODULE
59	99085	1	SCREEN FOR COMBINATION VALVE & STRAINER
60	27100-1.5	1	KIT, REPLACEMENT SCREEN FOR STRAINER 1.5"NPT, WYE-PATTERN
61	89011-1	1	FLANGE GASKET SET(PUMP SPARE PART)
62	89011-2	1	CASING O-RING(PUMP SPARE PART)
63	89011-3	1	CAPACITOR, 60HZ(PUMP SPARE PART)
64	89011-4	1	CAPACITOR, 50HZ(PUMP SPARE PART)
65	89011-5	1	CARTRIGE ASSEMBLY(PUMP SPARE PARTS)50 Hz
66	89011-10	1	CARTRIGE ASSEMBLY(PUMP SPARE PARTS)60 Hz
67	89011-11	1	INTEGRAL FLOW CHECK REPAIR KIT(PUMP SPARE PARTS)

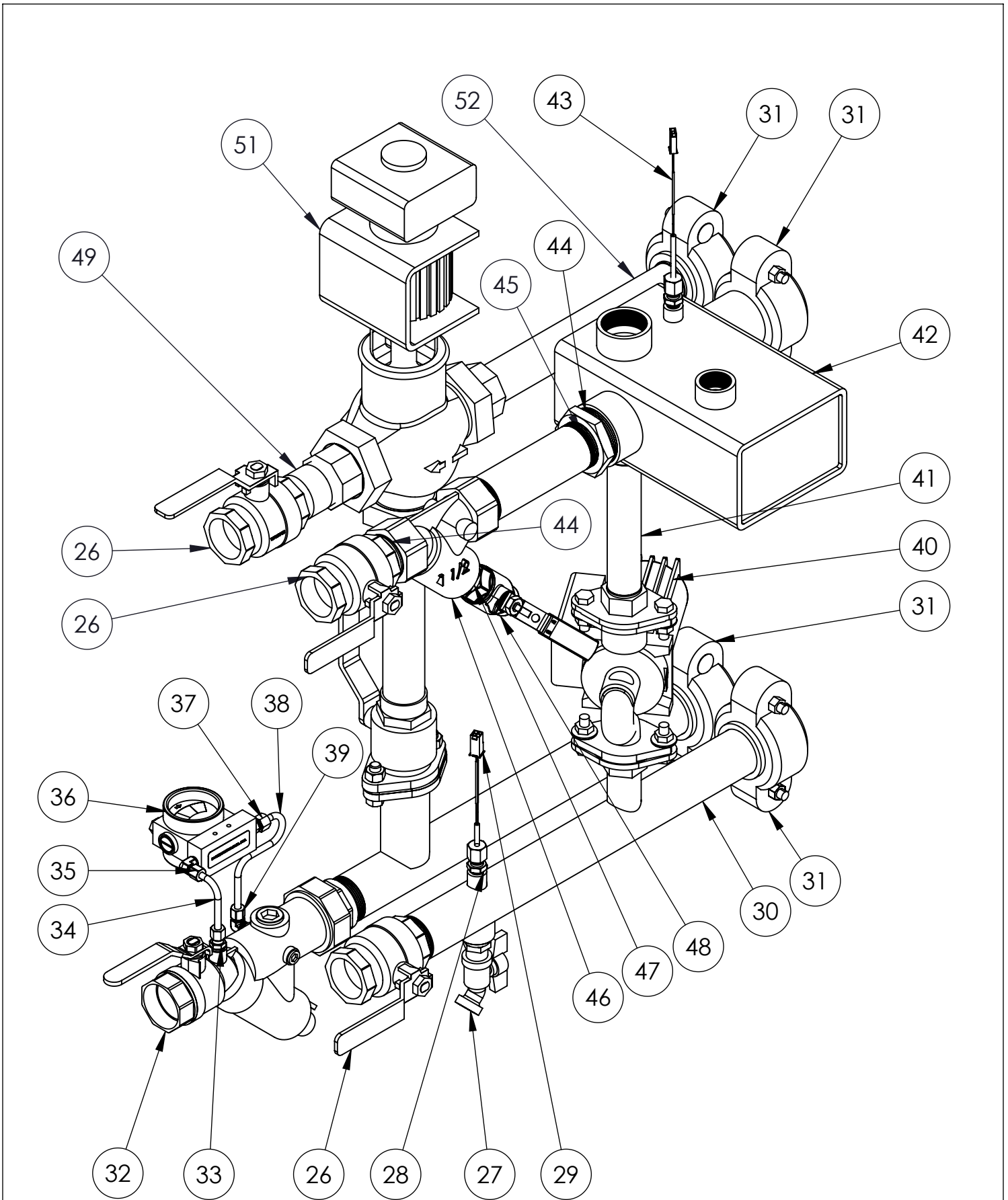
AERCO INTERNATIONAL, INC.
BLAUVELT, NY 10913

SMART PLATE PART LIST
SPDW THREADED PIPING

DRAWN BY:
A.VOICU
DATE: 7/24/15

PL-A-184
SHEET 6 OF 11

REV
A



AERCO INTERNATIONAL, INC.
 BLAUVELT, NY 10913

**SMART PLATE PART LIST
 SPDW THREADED PIPING**

DRAWN BY:
 A.VOICU
 DATE: 7/24/15

PL-A-184
 SHEET 7 OF 11

REV
A

2.0" PIPING ASSY. PARTS FOR SPDW-42/61/113

ITEM	PART NO.	QTY	DESCRIPTION
68	92125-2	3	BALL VALVE, FULL PORT 2" NPT, LEAD FREE
69	92060	1	VALVE, 3/4" DRAIN MNPT X GHT
70	93029	1	1/4" MNPT x 3/16" OD COMPRESSION FITTING
71	99042-2	1	KIT, REPLACEMENT THERMOCOUPLE, DUAL ELEMENT
72	22251-1	1	MANIFOLD W/FREEDOM FLG, 2" NPT
73	93159	4	COUPLING, QUIK FLEX 2"
74	92063	1	COMBINATION BALL VALVE & STRAINER, 2" NPT
75	97020	1	1/4" MNPT x 1/4" OD PASS THROUGH COMPRESSION TUBE FITTING
76	91117	1	GAGE TUBE
77	97089	1	COMPRESSION TUBE ELBOW, 1/4" TUBE OD 1/8" MALE PIPE, BRASS
78	67002	1	PROCESS FILTER GAGE
79	97058	1	1/8" MNPT x 1/4" OD PASS THROUGH COMPRESSION TUBE FITTING
80	91043	1	GAGE TUBE
81	97088	1	COMPRESSION TUBE ELBOW, 1/4" TUBE OD 1/4" MALE PIPE, BRASS
82	69259-1	1	CARTRIDGE CIRCULATOR, 110 V 60 Hz, 200 PSI
	69259-2		CARTRIDGE CIRCULATOR, 220 V 50 Hz, 200 PSI
			SEE ITEM 96-102 FOR SPARE PARTS
83	22255-1	1	SPOOL PIECE WITH FREEDOM FLANGES, 8.40 LG
84	41023	1	WATER MANIFOLD
85	99042-1	1	KIT, REPLACEMENT THERMOCOUPLE, SINGLE ELEMENT
86	93505	1	HEX REDUCING BUSHING, 1" MNPT x 3/4" FNPT
87	90046-8	1	NIPPLE, 2" NPT 304 SS SCH 40, 8" LG
88	90106	1	CLOSE NIPPLE, 2" NPTSCH 40 SS
89	93514-2	1	STRAINER 2" NPT, WYE-PATTERN, LEAD FREE BRONZE
90	9-234	1	CLOSE NIPPLE, 3/4" NPT SCH 40 RED BRASS
91	92128	1	FULL PORT VALVE, 3/4" NPT x 3/4 HOSE
92	90046-3	1	NIPPLE, 2" NPT 304 SS SCH 40, 3" LG
93	92047-1	1	3-WAY CONTROL VALVE ASSY(INCLUDES ELECTONIC MODULE)
94	27033-1	1	REPLACEMENT TUBE & ADAPTOR, 2"
95	22272-2	1	KIT(IT. 74-81)BALL VALVE/STRAINER COMBO 2"+DIFF GAUGE)
96	27097	1	KIT(IT. 75-81) DIFFERENTIAL GAUGE ASSEMBLY
97	27098	1	KIT(77-79)DIFFERENTIAL GAUGE w/FITTINGS
98	88013	1	O-RING(set of 10) FOR BALL VALVE STRAINER COMBO 2"
99	61018	2	BOILER WATER SENSOR(NOT SHOWN ON DRAWING)
100	65092	1	VALVE ELECTRONIC MODULE
101	99085	1	SCREEN FOR COMBINATION VALVE & STRAINER
102	27100-2	1	KIT, REPLACEMENT SCREEN FOR STRAINER 2"NPT, WYE-PATTERN
103	89011-1	1	FLANGE GASKET SET(PUMP SPARE PART)
104	89011-2	1	CASING O-RING(PUMP SPARE PART)
105	89011-3	1	CAPACITOR, 60HZ(PUMP SPARE PART)
106	89011-4	1	CAPACITOR, 50HZ(PUMP SPARE PART)
107	89011-5	1	CARTRIGE ASSEMBLY(PUMP SPARE PARTS)50 Hz
108	89011-10	1	CARTRIGE ASSEMBLY(PUMP SPARE PARTS)60 Hz
109	89011-11	1	INTEGRAL FLOW CHECK REPAIR KIT(PUMP SPARE PARTS)

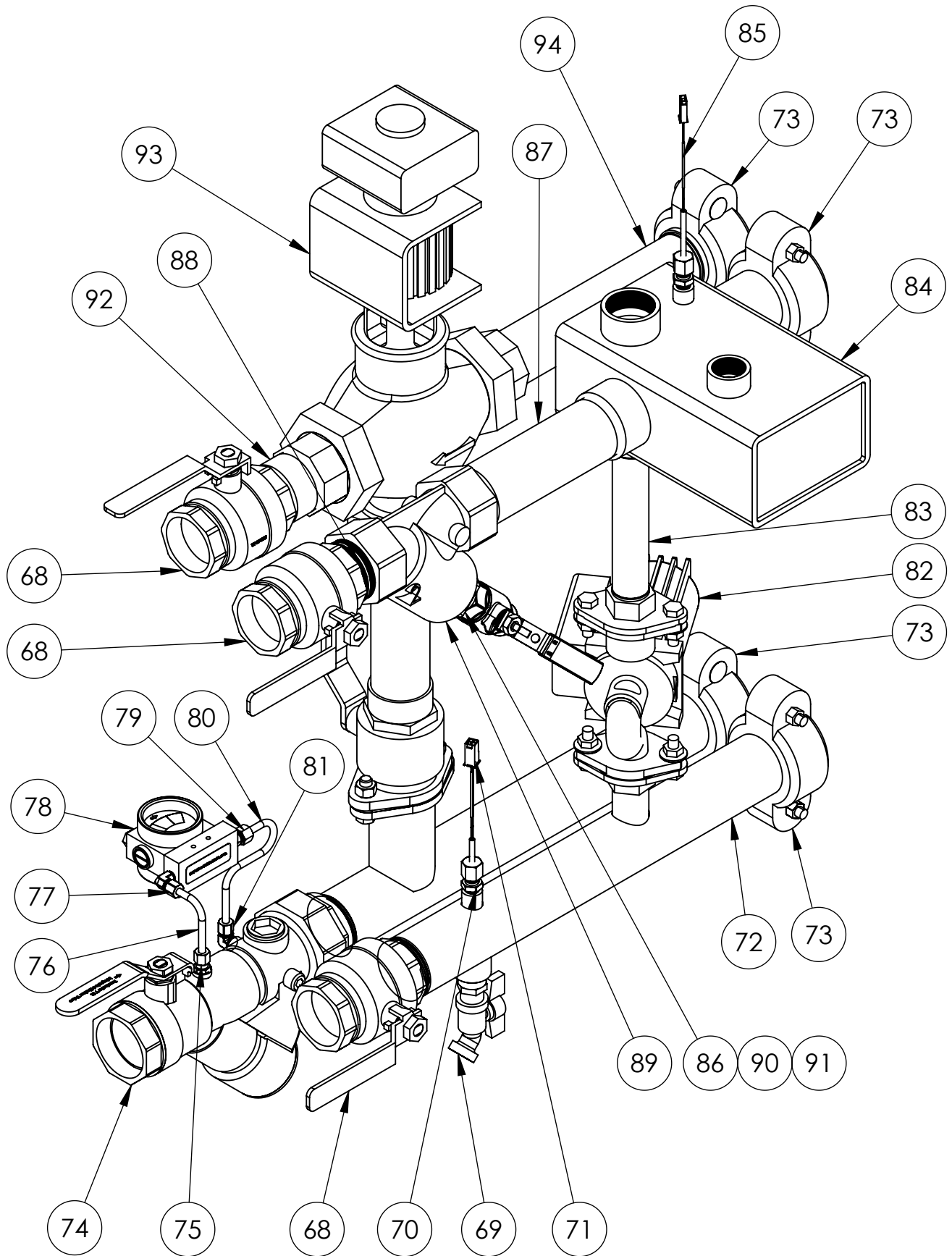
AERCO INTERNATIONAL, INC.
BLAUVELT, NY 10913

SMART PLATE PART LIST
SPDW THREADED PIPING

DRAWN BY:
A.VOICU
DATE: 7/24/15

PL-A-184
SHEET 8 OF 11

REV
A



AERCO INTERNATIONAL, INC.
BLAUVELT, NY 10913

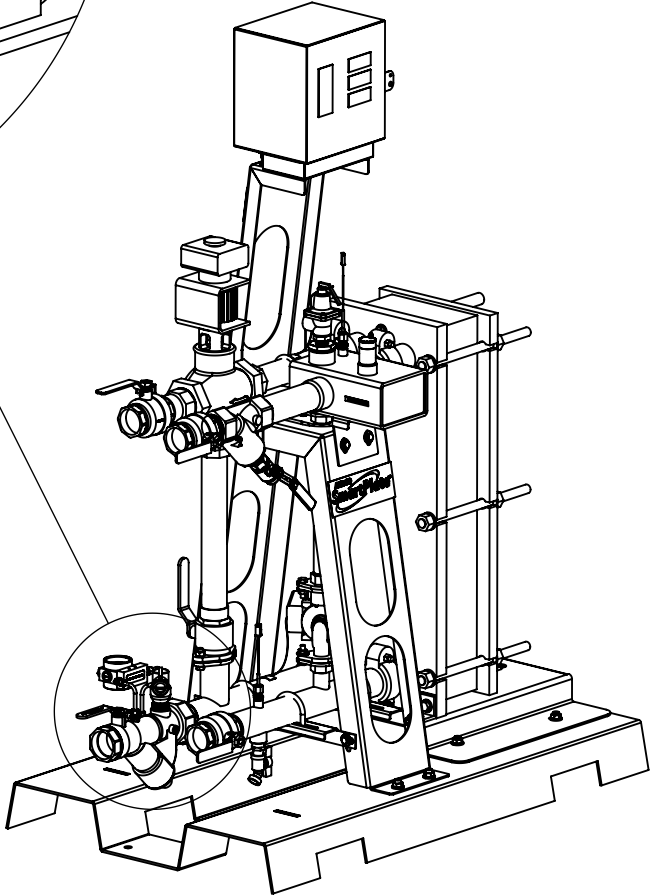
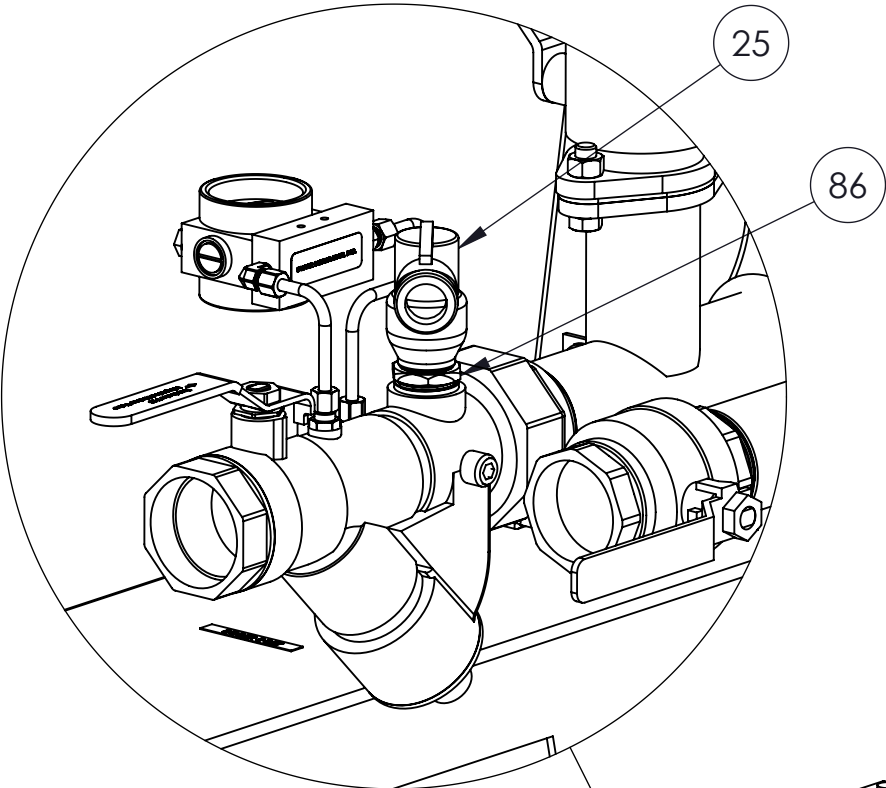
SMART PLATE PART LIST
SPDW THREADED PIPING

DRAWN BY:
A.VOICU
DATE: 7/24/15

PL-A-184
SHEET 9 OF 11

REV
A

ONLY FOR NY STATE SP-45, SP-69 & SP-150



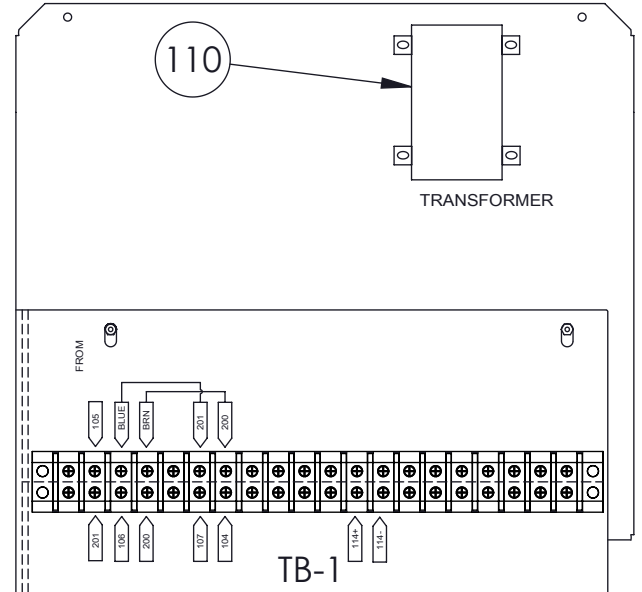
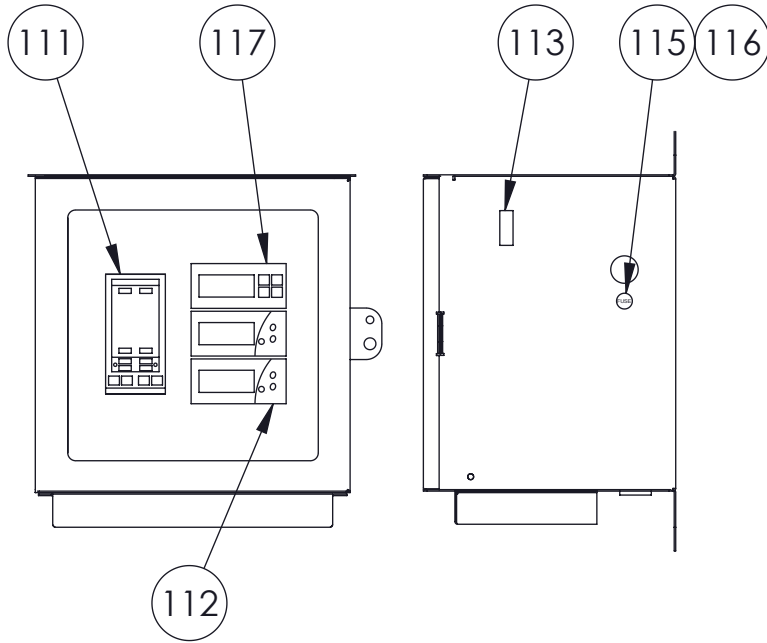
AERCO INTERNATIONAL, INC.
BLAUVELT, NY 10913

SMART PLATE PART LIST
SPDW THREADED PIPING

DRAWN BY:
A.VOICU
DATE: 7/24/15

PL-A-184
SHEET 10 OF 11

REV
A



INSIDE VIEW OF BACKPANEL OF SMARTPLATE CONTROL BOX

PARTS LIST			
ITEM	PART NO.	QTY.	DESCRIPTION
110	65082	1	TRANSFORMER, X075CBA, 120/240 TO 24VAC
111	64028-7	1	TEMPERATURE INDICATOR CONTROLLER - SMARTPLATE SP23
	64028-8		TEMPERATURE INDICATOR CONTROLLER - SMARTPLATE SP33
	64028-9		TEMPERATURE INDICATOR CONTROLLER - SMARTPLATE SP45
	64028-10		TEMPERATURE INDICATOR CONTROLLER - SMARTPLATE SP69
	64028-11		TEMPERATURE INDICATOR CONTROLLER - SMARTPLATE SP150
112	64056	2	BOILER WAETER TEMPERATURE INDICATOR
113	60003	1	ON/OFF SWITCH
* 114	63009-3	1	EXTERNAL HARNESS (COMPLETE HARNESS)
THE FOLLOWING 7 PART NUMBERS ARE SUB-COMPONENTS OF 63009-3:			
* 114	63009-52	1	HOT WATER OUT-TO-TEMP CTRL. WIRING HARNESS
* 114	63009-53	1	HOT WATER OUT-TO-OVER TEMP SW. WIRING HARNESS
* 114	63009-55	1	BOILER WATER IN WIRING HARNESS
* 114	63009-57	1	BOILER WATER OUT WIRING HARNESS
* 114	63009-58	1	MIXED INLET TEMP WIRING HARNESS
* 114	63009-61	1	RECIRCULATION PUMP WIRING HARNESS
* 114	63009-64	1	CONTROL VALVE WIRING HARNESS
THE FOLLOWING 2 PART NUMBERS ARE SUB-COMPONENTS OF 63009-64:			
* 114	63009-62	1	ACTUATOR SIGNAL WIRING HARNESS
* 114	63009-63	1	ACTUATOR POWER WIRING HARNESS
115	65094-1	1	FUSE
116	65095	1	FUSE HOLDER
117	60014	1	OVER TEMPERATURE SWITCH

* - NOT SHOWN IN DRAWING

COMPLETE CONTROL BOX ASSEMBY

SMARTPLATE MODEL	COMPLETE CONTROL BOX PART NUMBER
SPDW: 23, WWP91A, WWP81A, WWP92A, WWP81A	28047-8
SPDW: 32, WWP91A, WWP81A, WWP92A, WWP81A	28047-9
SPDW: 42, WWP91A, WWP81A, WWP92A, WWP81A	28047-10
SPDW: 61, WWP91A, WWP81A, WWP92A, WWP81A	28047-11
SPDW: 113, WWP91A, WWP81A, WWP92A, WWP81A	28047-12

AERCO INTERNATIONAL, INC.
BLAUVELT, NY 10913

SMART PLATE PART LIST
SPDW THREADED PIPING

DRAWN BY:
A.VOICU
DATE: 7/24/15

PL-A-184 REV
SHEET 11 OF 11 A