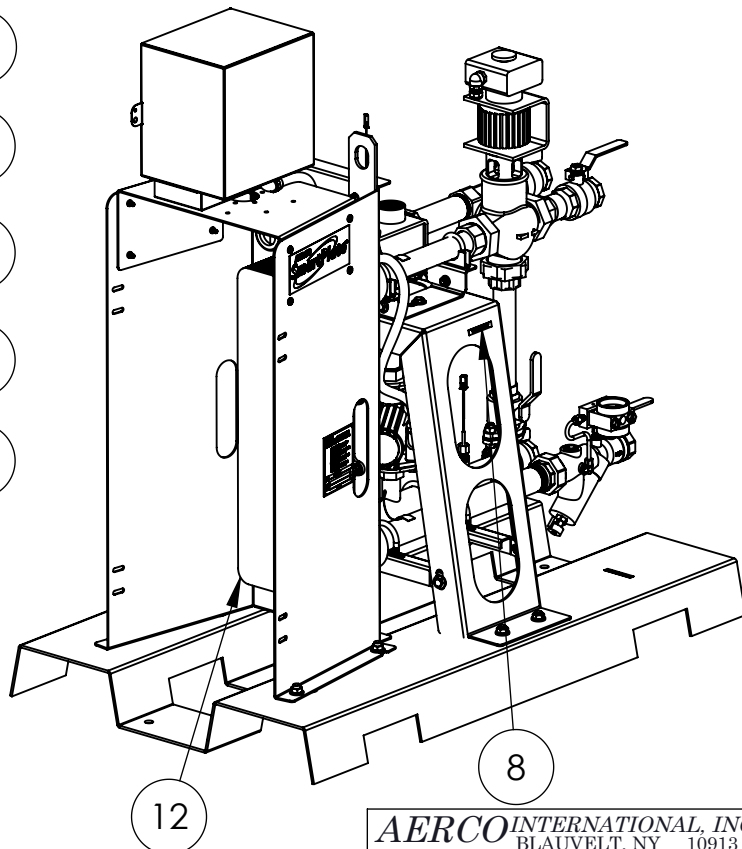
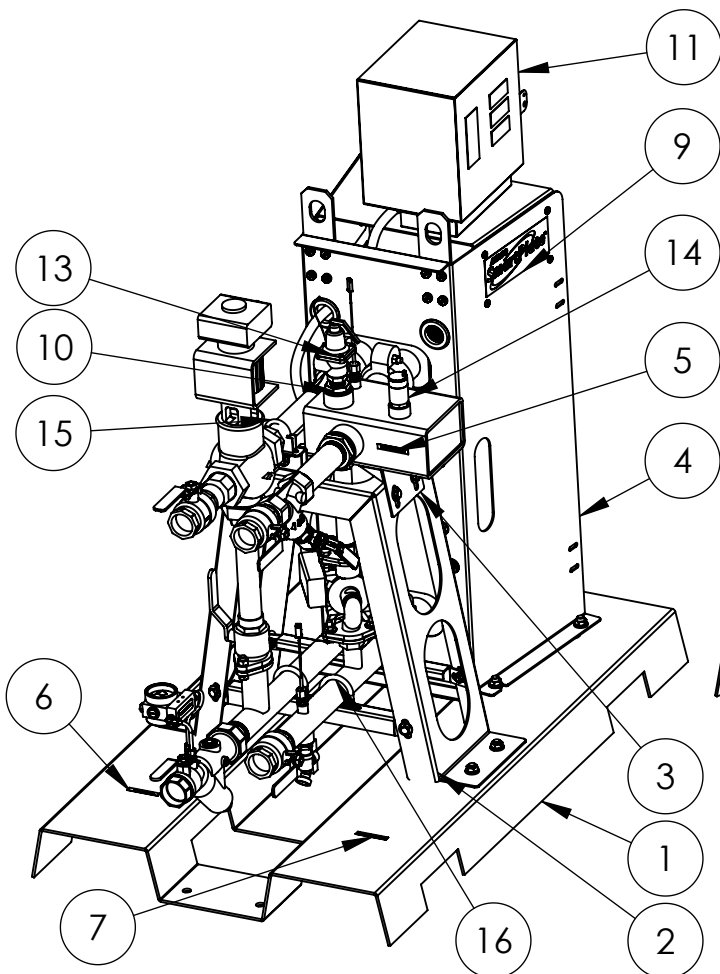


BASE COMPONENTS & LABELS

ITEM	PART NO.	QTY	DESCRIPTION
1	34026	1	BASE
2	35015	1	"A" FRAME SUPPORT
3	33083	1	MIXING BOX BRACKET
4	24198	1	SUPPORT BKT. ASSY.
5	72010-18	1	LABEL, DOMESTIC INLET
6	72010-19	1	LABEL, BOILER INLET
7	72010-17	1	LABEL, DOMESTIC OUTLET
8	72010-20	1	LABEL, BOILER OUTLET
9	74010	2	SMART PLATE LOGO
10	93521	1	HEX. RED. BUSHING
11	SEE TABLE PG.9	1	CONTROL BOX ASSY.
12	SEE TABLE	1	BRAZED PLATE HEAT EXCHANGER
13	92065-1	1	RELIEF VALVE(P&T)
14	27099	1	KIT,AIR BLEEDER VALVE
15	SEE TABLE	1	CLAMPING "U" BOLT
16	SEE TABLE	4	CLAMPING "U" BOLT

DESCRIPTION	ITEM 12	ITEM 15	ITEM 16
SP-23(60 Hz)	28121-1	55058	55033
SP-33(60 Hz)	28121-2	55058	55033
SP-45(60Hz)	28121-3	55059	123557
SP-69(60Hz)	28121-4	55059	123557
SP-150(60Hz)	28121-5	55059	123557
SP-23(50 Hz)	28121-1	55058	55033
SP-33(50 Hz)	28121-2	55058	55033
SP-45(50Hz)	28121-3	55059	123557
SP-69(50Hz)	28121-4	55059	123557
SP-150(50Hz)	28121-5	55059	123557



AERCO INTERNATIONAL, INC.
BLAUVELT, NY 10913

SMART PLATE PART LIST SW THREADED PIPING

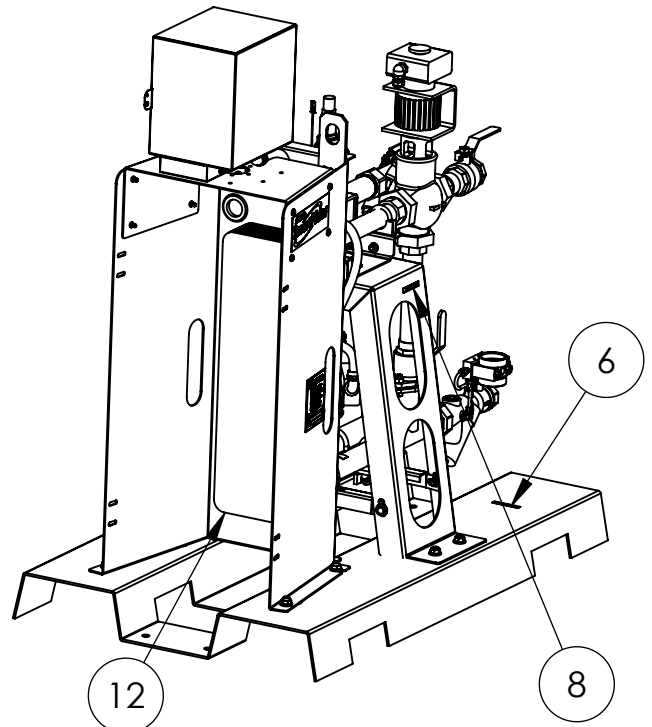
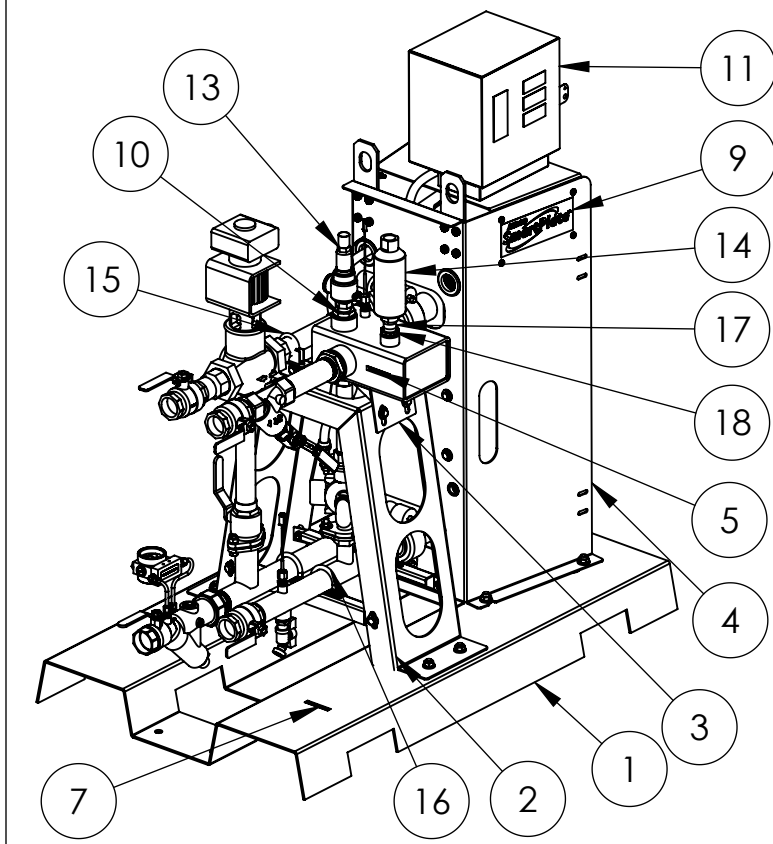
DRAWN BY: A.VOICU DATE: 7/24/15	PL-A-183 SHEET 1 OF 9	REV A
---------------------------------------	--------------------------	----------

BASE COMPONENTS & LABELS SP 200 PSI

ITEM	PART NO.	QTY	DESCRIPTION
1	34026	1	BASE
2	35015	1	"A" FRAME SUPPORT
3	33083	1	MIXING BOX BRACKET
4	24198	1	SUPPORT BKT. ASSY.
5	72010-18	1	LABEL, DOMESTIC INLET
6	72010-19	1	LABEL, BOILER INLET
7	72010-17	1	LABEL, DOMESTIC OUTLET
8	72010-20	1	LABEL, BOILER OUTLET
9	74010	2	SMART PLATE LOGO
10	93521	1	HEX. RED. BUSHING
11	SEE TABLE PG.9	1	CONTROL BOX ASSY.
12	SEE TABLE	1	BRAZED PLATE HEAT EXCHANGER
13	92134-1	1	RELIEF VALVE(P&T)
14	92130	1	VALVE, AIR BLEADER
15	SEE TABLE	1	CLAMPING "U" BOLT
16	SEE TABLE	4	CLAMPING "U" BOLT
17	93451	1	NIPPLE, 3/4 SCH 40 x 2" LG
18	93505	1	REDUCING BUSHING, 1" x 3/4"
19	92111	1	PRESSURE VALVE, BRONZE, 150#

◆ ONLY FOR NY UNITS

DESCRIPTION	ITEM 12	ITEM 15	ITEM 16
SP-23(60 Hz), 200 PSI	28121-1	55058	55033
SP-33(60 Hz), 200 PSI	28121-2	55058	55033
SP-45(60Hz), 200 PSI	28121-3	55059	123557
SP-69(60Hz), 200 PSI	28121-4	55059	123557
SP-150(60Hz), 200 PSI	28121-5	55059	123557
SP-23(50 Hz), 200 PSI	28121-1	55058	55033
SP-33(50 Hz), 200 PSI	28121-2	55058	55033
SP-45(50Hz), 200 PSI	28121-3	55059	123557
SP-69(50Hz), 200 PSI	28121-4	55059	123557
SP-150(50Hz), 200 PSI	28121-5	55059	123557

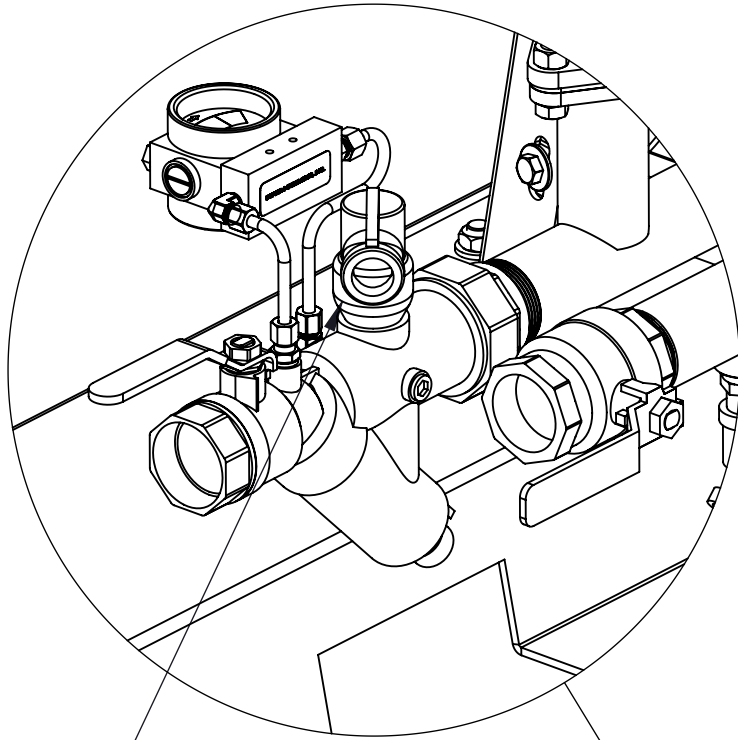


AERCO INTERNATIONAL, INC.
BLAUVELT, NY 10913

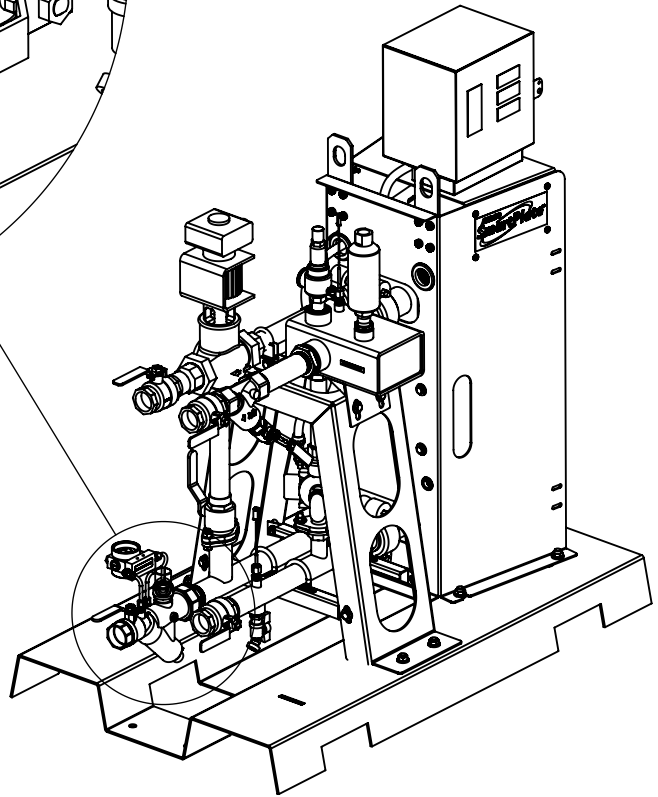
SMART PLATE PART LIST SW THREADED PIPING

DRAWN BY: A.VOICU DATE: 7/24/15	PL-A-183 SHEET 2 OF 9	REV A
---------------------------------------	--------------------------	----------

ONLY FOR NY STATE SP-23 & SP-33



19



AERCO INTERNATIONAL, INC.
BLAUVELT, NY 10913

SMART PLATE PART LIST
SW THREADED PIPING

DRAWN BY:
A.VOICU
DATE: 7/24/15

PL-A-183
SHEET 3 OF 9

REV
A

1.5" PIPING ASSY. PARTS FOR SP-23/SP-33

ITEM	PART NO.	QTY	DESCRIPTION
20	92125-1.5	3	BALL VALVE, FULL PORT 1.5" NPT, LEAD FREE
21	92060	1	VALVE, 3/4" DRAIN MNPT X GHT
22	93029	1	1/4" MNPT x 3/16" OD COMPRESSION FITTING
23	99042-2	1	KIT, REPLACEMENT THERMOCOUPLE, DUAL ELEMENT
24	22251-2	1	MANIFOLD W/FREEDOM FLG, 1.5" NPT
25	93159	4	COUPLING, QUIK FLEX 2"
26	92049	1	COMBINATION BALL VALVE & STRAINER, 1 1/2 NPT
27	97020	1	1/4" MNPT x 1/4" OD PASS THROUGH COMPRESSION TUBE FITTING
28	91117	1	GAGE TUBE
29	97089	1	COMPRESSION TUBE ELBOW, 1/4" TUBE OD 1/8" MALE PIPE, BRASS
30	67002	1	PROCESS FILTER GAGE
31	97058	1	1/8" MNPT x 1/4" OD PASS THROUGH COMPRESSION TUBE FITTING
32	91043	1	GAGE TUBE
33	97088	1	COMPRESSION TUBE ELBOW, 1/4" TUBE OD 1/4" MALE PIPE, BRASS
34	69259-1	1	CARTRIDGE CIRCULATOR, 110 V 60 Hz, 200 PSI
	69259-2		CARTRIDGE CIRCULATOR, 220 V 50 Hz, 200 PSI
			SEE ITEM 54-60 FOR SPARE PARTS
35	22255-1	1	SPOOL PIECE WITH FREEDOM FLANGES, 8.40 LG
36	41023	1	WATER MANIFOLD
37	99042-1	1	KIT, REPLACEMENT THERMOCOUPLE, SINGLE ELEMENT
38	12610-9-8	1	2" x 1 1/2 REDUCING BUSHING
39	90056	1	1-1/2" NPT NIPPLE X 7" LG
40	93514-1.5	1	STRAINER 1.5"NPT, WYE-PATTERN, LEAD FREE BRONZE
41	9-234	1	CLOSE NIPPLE, 3/4" NPT SCH 40 RED BRASS
42	92128	1	FULL PORT VALVE, 3/4" NPT x 3/4 HOSE
43	90047-3	1	PIPE NIPPLE, SS SCH. 40, TBE, 1.5" X 3" LG.
44	92047-2	1	3-WAY CONTROL VALVE ASSY(INCLUDES ELECTONIC MODULE)
45	27033-2	1	REPLACEMENT TUBE & ADAPTOR, 1-1/2"
46	22272-1.5	1	KIT(IT. 26-33)BALL VALVE/STRAINER COMBO 1-1/2"+DIFF GAUGE)
47	27097	1	KIT(IT. 27-33) DIFFERENTIAL GAUGE ASSEMBLY
48	27098	1	KIT(29-31)DIFFERENTIAL GAUGE w/FITTINGS
49	88012	1	O-RING(set of 10) FOR BALL VALVE STRAINER COMBO 1-1/2"
50	61018	2	BOILER WATER SENSOR(NOT SHOWN ON DRAWING)
51	65092	1	VALVE ELECTRONIC MODULE
52	99085	1	SCREEN FOR COMBINATION VALVE & STRAINER
53	27100-1.5	1	KIT, REPLACEMENT SCREEN FOR STRAINER 1.5"NPT, WYE-PATTERN
54	89011-1	1	FLANGE GASKET SET(PUMP SPARE PART)
55	89011-2	1	CASING O-RING(PUMP SPARE PART)
56	89011-3	1	CAPACITOR, 60HZ(PUMP SPARE PART)
57	89011-4	1	CAPACITOR, 50HZ(PUMP SPARE PART)
58	89011-5	1	CARTRIGE ASSEMBLY(PUMP SPARE PARTS)50 Hz
59	89011-10	1	CARTRIGE ASSEMBLY(PUMP SPARE PARTS)60 Hz
60	89011-11	1	INTEGRAL FLOW CHECK REPAIR KIT(PUMP SPARE PARTS)

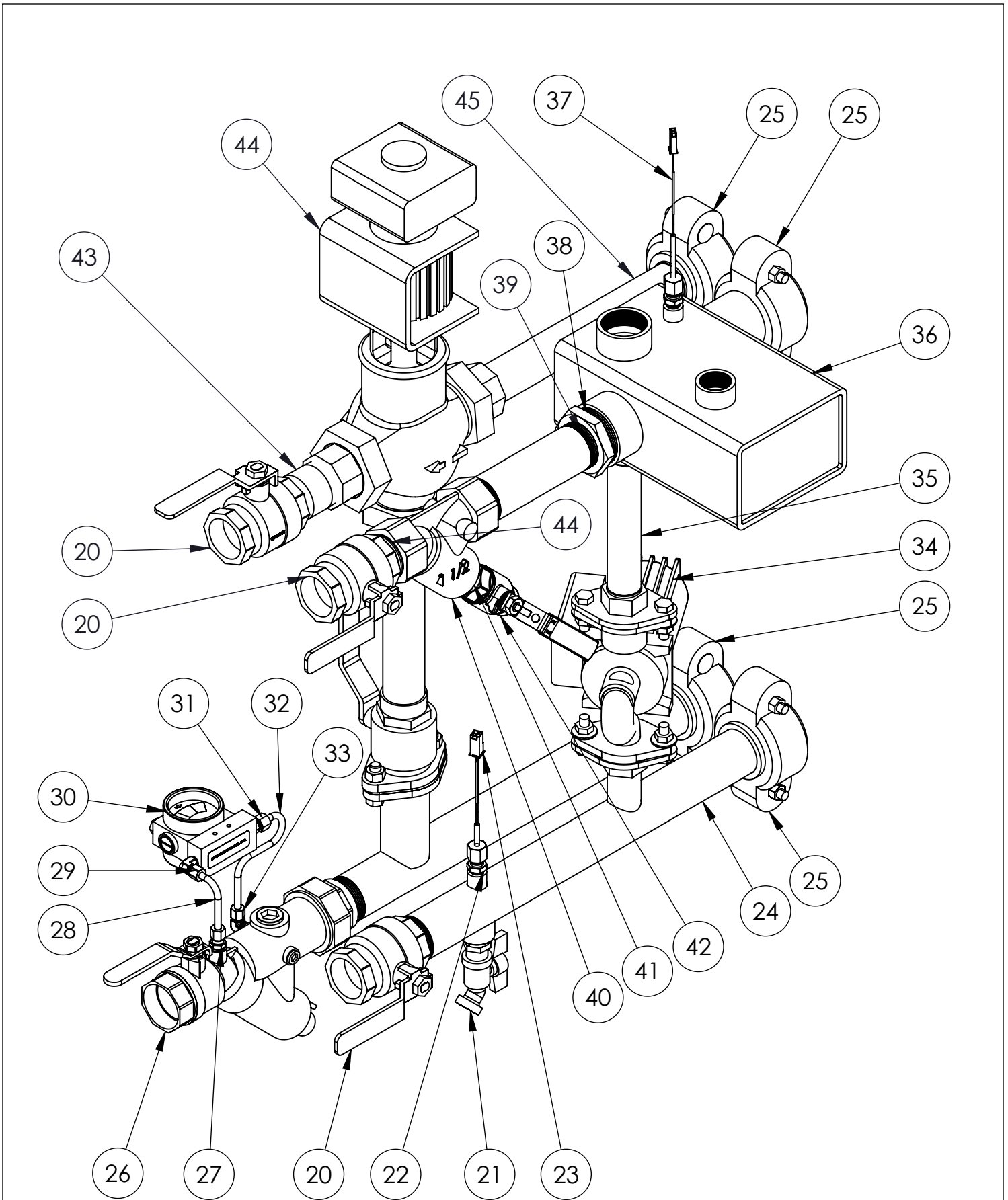
AERCO INTERNATIONAL, INC.
BLAUVELT, NY 10913

SMART PLATE PART LIST
SW THREADED PIPING

DRAWN BY:
A.VOICU
DATE: 7/24/15

PL-A-183
SHEET 4 OF 9

REV
A



AERCO INTERNATIONAL, INC.
 BLAUVELT, NY 10913

**SMART PLATE PART LIST
 SW THREADED PIPING**

DRAWN BY:
 A.VOICU
 DATE: 7/24/15

PL-A-183
 SHEET 5 OF 9

REV
A

2.0" PIPING ASSY. PARTS FOR SP-45/SP-69/SP-150

ITEM	PART NO.	QTY	DESCRIPTION
61	92125-2	3	BALL VALVE, FULL PORT 2" NPT, LEAD FREE
62	92060	1	VALVE, 3/4" DRAIN MNPT X GHT
63	93029	1	1/4" MNPT x 3/16" OD COMPRESSION FITTING
64	99042-2	1	KIT, REPLACEMENT THERMOCOUPLE, DUAL ELEMENT
65	22251-1	1	MANIFOLD W/FREEDOM FLG, 2" NPT
66	93159	4	COUPLING, QUIK FLEX 2"
67	92063	1	COMBINATION BALL VALVE & STRAINER, 2" NPT
68	97020	1	1/4" MNPT x 1/4" OD PASS THROUGH COMPRESSION TUBE FITTING
69	91117	1	GAGE TUBE
70	97089	1	COMPRESSION TUBE ELBOW, 1/4" TUBE OD 1/8" MALE PIPE, BRASS
71	67002	1	PROCESS FILTER GAGE
72	97058	1	1/8" MNPT x 1/4" OD PASS THROUGH COMPRESSION TUBE FITTING
73	91043	1	GAGE TUBE
74	97088	1	COMPRESSION TUBE ELBOW, 1/4" TUBE OD 1/4" MALE PIPE, BRASS
75	69259-1	1	CARTRIDGE CIRCULATOR, 110 V 60 Hz, 200 PSI
	69259-2		CARTRIDGE CIRCULATOR, 220 V 50 Hz, 200 PSI
			SEE ITEM 96-102 FOR SPARE PARTS
76	22255-1	1	SPOOL PIECE WITH FREEDOM FLANGES, 8.40 LG
77	41023	1	WATER MANIFOLD
78	99042-1	1	KIT, REPLACEMENT THERMOCOUPLE, SINGLE ELEMENT
79	93505	1	HEX REDUCING BUSHING, 1" MNPT x 3/4" FNPT
80	90046-8	1	NIPPLE, 2" NPT 304 SS SCH 40, 8" LG
81	93514-2	1	STRAINER 2" NPT, WYE-PATTERN, LEAD FREE BRONZE
82	9-234	1	CLOSE NIPPLE, 3/4" NPT SCH 40 RED BRASS
83	92128	1	FULL PORT VALVE, 3/4" NPT x 3/4 HOSE
84	90046-3	1	NIPPLE, 2" NPT 304 SS SCH 40, 3" LG
85	92047-1	1	3-WAY CONTROL VALVE ASSY(INCLUDES ELECTONIC MODULE)
86	27033-1	1	REPLACEMENT TUBE & ADAPTOR, 2"
87	22272-2	1	KIT(IT. 65-72)BALL VALVE/STRAINER COMBO 2"+DIFF GAUGE)
88	27097	1	KIT(IT. 66-72) DIFFERENTIAL GAUGE ASSEMBLY
89	27098	1	KIT(66-68)DIFFERENTIAL GAUGE w/FITTINGS
90	88013	1	O-RING(set of 10) FOR BALL VALVE STRAINER COMBO 2"
91	61018	2	BOILER WATER SENSOR(NOT SHOWN ON DRAWING)
92	65092	1	VALVE ELECTRONIC MODULE
93	99085	1	SCREEN FOR COMBINATION VALVE & STRAINER
94	27100-2	1	KIT, REPLACEMENT SCREEN FOR STRAINER 2"NPT, WYE-PATTERN
95	89011-1	1	FLANGE GASKET SET(PUMP SPARE PART)
96	89011-2	1	CASING O-RING(PUMP SPARE PART)
97	89011-3	1	CAPACITOR, 60HZ(PUMP SPARE PART)
98	89011-4	1	CAPACITOR, 50HZ(PUMP SPARE PART)
99	89011-5	1	CARTRIGE ASSEMBLY(PUMP SPARE PARTS)50 Hz
100	89011-10	1	CARTRIGE ASSEMBLY(PUMP SPARE PARTS)60 Hz
101	89011-11	1	INTEGRAL FLOW CHECK REPAIR KIT(PUMP SPARE PARTS)

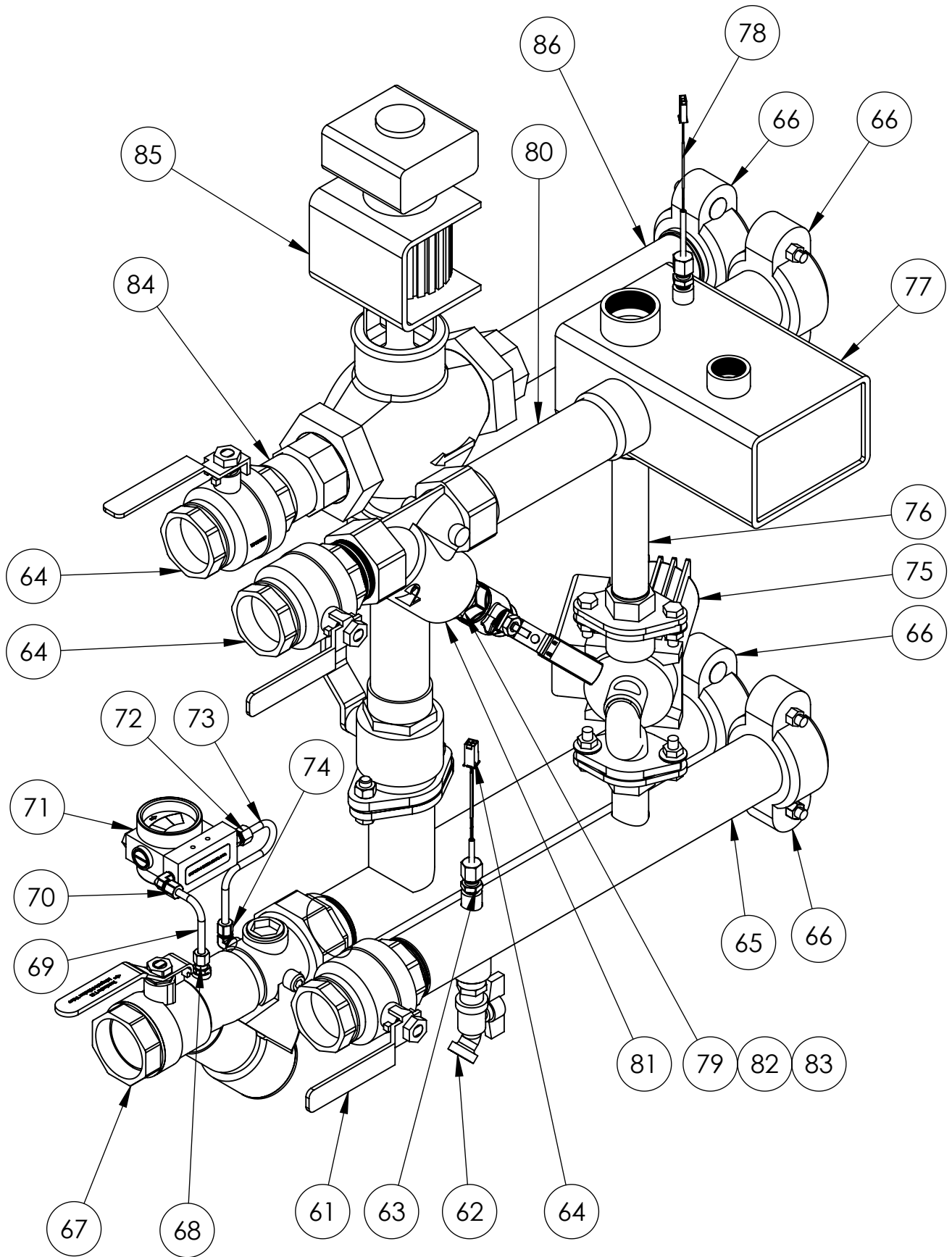
AERCO INTERNATIONAL, INC.
BLAUVELT, NY 10913

SMART PLATE PART LIST
SW THREADED PIPING

DRAWN BY:
A.VOICU
DATE: 7/24/15

PL-A-183
SHEET 6 OF 9

REV
A



AERCO INTERNATIONAL, INC.
BLAUVELT, NY 10913

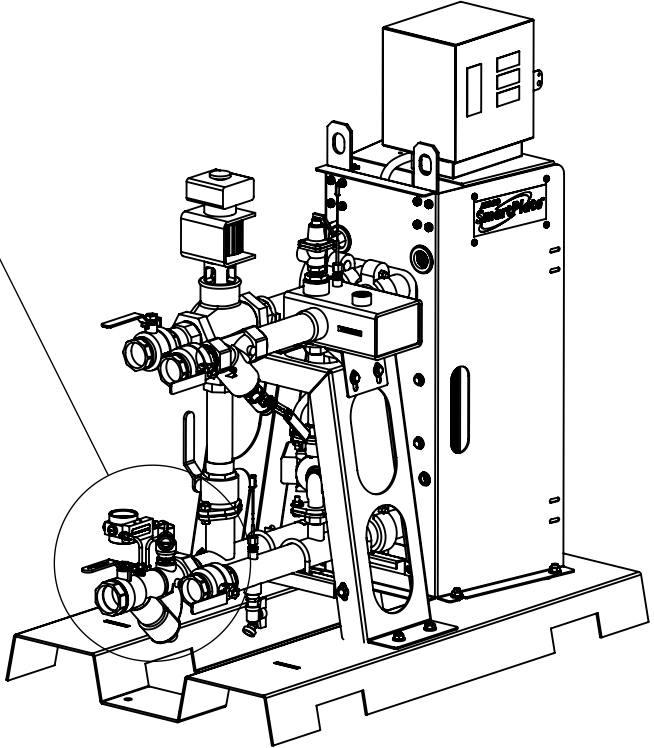
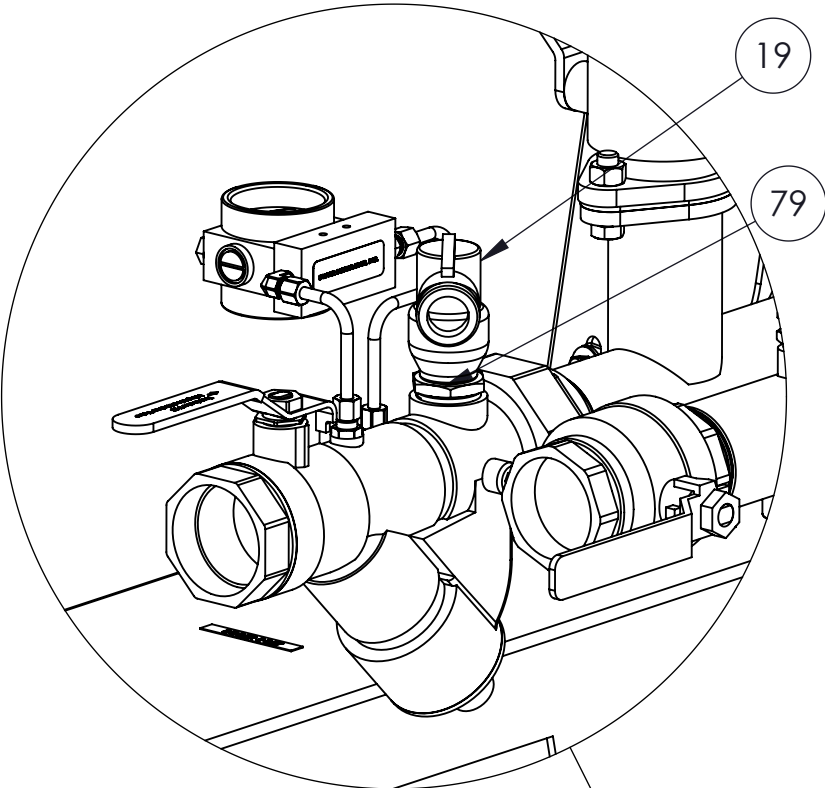
SMART PLATE PART LIST
SW THREADED PIPING

DRAWN BY:
A.VOICU
DATE: 7/24/15

PL-A-183
SHEET 7 OF 9

REV
A

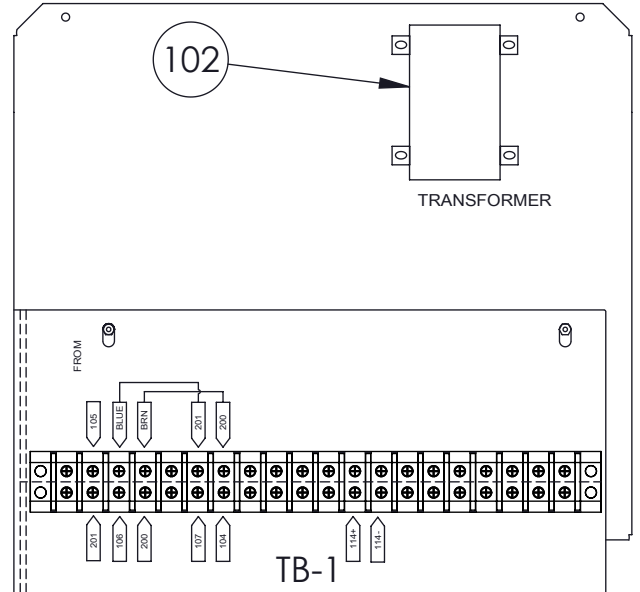
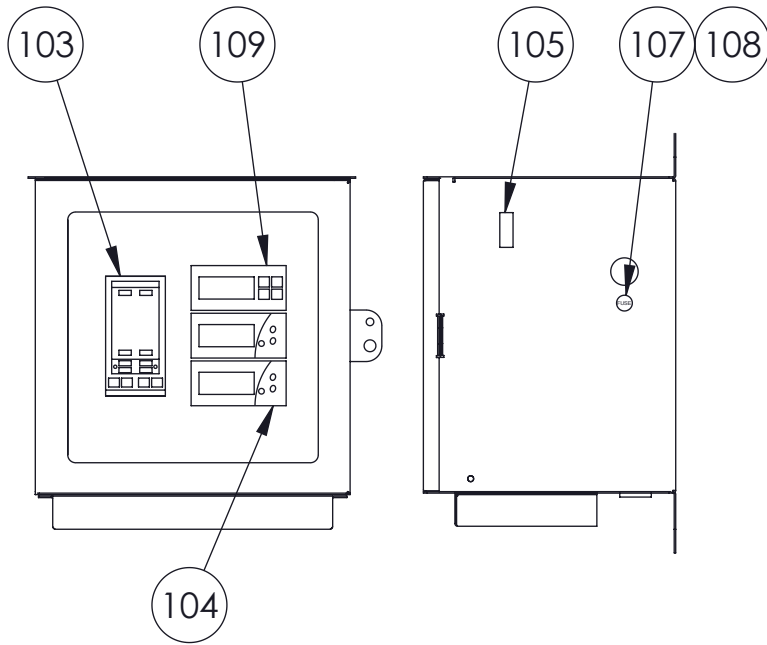
ONLY FOR NY STATE SP-45, SP-69 & SP-150



AERCO INTERNATIONAL, INC.
BLAUVELT, NY 10913

SMART PLATE PART LIST SW THREADED PIPING

DRAWN BY: A.VOICU DATE: 7/24/15	PL-A-183 SHEET 8 OF 9	REV A
---------------------------------------	--------------------------	----------



INSIDE VIEW OF BACKPANEL OF SMARTPLATE CONTROL BOX

PARTS LIST			
ITEM	PART NO.	QTY.	DESCRIPTION
102	65082	1	TRANSFORMER, X075CBA, 120/240 TO 24VAC
103	64028-7	1	TEMPERATURE INDICATOR CONTROLLER - SMARTPLATE SP23
	64028-8		TEMPERATURE INDICATOR CONTROLLER - SMARTPLATE SP33
	64028-9		TEMPERATURE INDICATOR CONTROLLER - SMARTPLATE SP45
	64028-10		TEMPERATURE INDICATOR CONTROLLER - SMARTPLATE SP69
	64028-11		TEMPERATURE INDICATOR CONTROLLER - SMARTPLATE SP150
104	64056	2	BOILER WATER TEMPERATURE INDICATOR
105	60003	1	ON/OFF SWITCH
* 106	63009-3	1	EXTERNAL HARNESS (COMPLETE HARNESS)
THE FOLLOWING 7 PART NUMBERS ARE SUB-COMPONENTS OF 63009-3:			
* 63009-52	1	HOT WATER OUT-TO-TEMP CTRL. WIRING HARNESS	
* 63009-53	1	HOT WATER OUT-TO-OVER TEMP SW. WIRING HARNESS	
* 63009-55	1	BOILER WATER IN WIRING HARNESS	
* 63009-57	1	BOILER WATER OUT WIRING HARNESS	
* 63009-58	1	MIXED INLET TEMP WIRING HARNESS	
* 63009-61	1	RECIRCULATION PUMP WIRING HARNESS	
* 63009-64	1	CONTROL VALVE WIRING HARNESS	
THE FOLLOWING 2 PART NUMBERS ARE SUB-COMPONENTS OF 63009-64:			
* 63009-62	1	ACTUATOR SIGNAL WIRING HARNESS	
* 63009-63	1	ACTUATOR POWER WIRING HARNESS	
107	65094-1	1	FUSE
108	65095	1	FUSE HOLDER
109	60014	1	OVER TEMPERATURE SWITCH

* - NOT SHOWN IN DRAWING

COMPLETE CONTROL BOX ASSEMBLY

SMARTPLATE MODEL	COMPLETE CONTROL BOX PART NUMBER
SP: 23, WWP91A, WWP81A, WWP92A, WWP81A	28047-8
SP: 33, WWP91A, WWP81A, WWP92A, WWP81A	28047-9
SP: 45, WWP91A, WWP81A, WWP92A, WWP81A	28047-10
SP: 69, WWP91A, WWP81A, WWP92A, WWP81A	28047-11
SP: 150, WWP91A, WWP81A, WWP92A, WWP81A	28047-12

AERCO INTERNATIONAL, INC.
BLAUVELT, NY 10913

SMART PLATE PART LIST
SW THREADED PIPING

DRAWN BY:
A.VOICU
DATE: 7/24/15

PL-A-183
SHEET 9 OF 9

REV
A