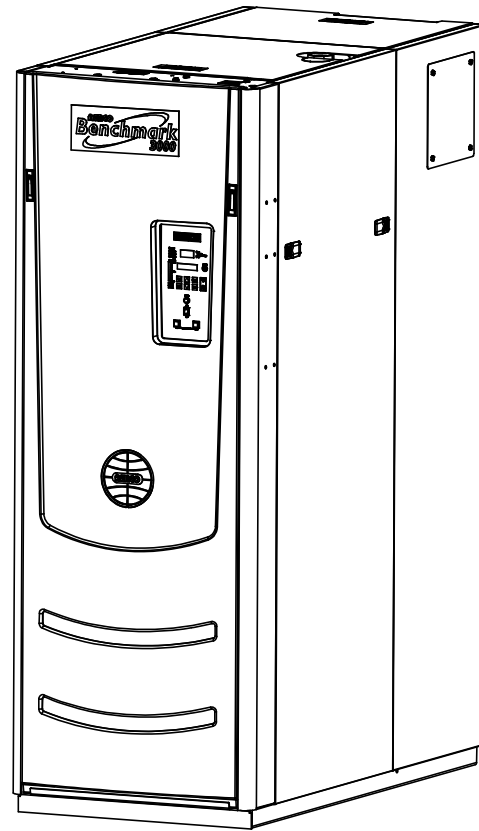


EXHAUST MANIFOLD			
ITEM	PART NO.	QTY	DESCRIPTION
1	39156	1	EXHAUST MANIFOLD
2	84040	1	EXHAUST MANIFOLD SEAL
3	9-22	2	PIPE PLUG

GAS TRAIN ASSEMBLY			
ITEM	PART NO.	QTY	DESCRIPTION
4	22171	1	STD FM GAS TRAIN ASSEMBLY
	22173		IRI GAS TRAIN ASSEMBLY
5	99017	1	GAS PRESSURE SNUBBER



RSI KIT			
ITEM	PART NO.	QTY	DESCRIPTION
(3) 6	22170	1	RSI KIT
7	124866	1	SOLENOID VALVE, 1/4"
8	64083	1	GAS PRESSURE REGULATOR
9	92077	1	1/4" M X F BALL VALVE

BURNER, AIR/FUEL VALVE, AND HEAT EXCHANGER			
ITEM	PART NO.	QTY	DESCRIPTION
10	46038	1	BURNER
11	24311-1	1	A/F VALVE KIT
12	24277	1	STAGED IGNITION ASSY.
13	81156	1	BURNER GASKET
14	43090	1	A/F PLENUM
15	27083	1	HEAT EXCHANGER REPLACEMENT KIT

HOSES, GASKETS, & INSULATION			
ITEM	PART NO.	QTY	DESCRIPTION
16	97005-9	1	FLEX TUBE 48"
17	80081	1	SHELL INSULATION

BLOWER			
ITEM	PART NO.	QTY	DESCRIPTION
18	58063-1	1	BLOWER REPLACEMENT KIT-460VAC
	58063-2	1	BLOWER REPLACEMENT KIT-208VAC
19	81157	1	BLOWER GASKET
20	88015	1	O RING
21	24356-1	1	FLAME ROD KIT
22	61026	1	O2 SENSOR
23	59104	1	SIGHT GLASS KIT
24	58023	1	IGNITOR REPLACEMENT KIT
25	88014	1	AIR FILTER
26	43091	1	BLOWER PLENUM

**AERCO** INTERNATIONAL, INC.  
BLAUVELT, NY 10913

BENCHMARK 3000  
BOILER PARTS LIST

DRAWN BY KP	PL - A - 177	A
DATE 7/2/12	(SHEET 1 OF 9)	

CONTROLS			
ITEM	PART NO.	QTY	DESCRIPTION
27	123966	1	OVER TEMP SWITCH AUTO
28	123552	1	OVER TEMP SWITCH MANUAL
29	60011-2	1	BLOWER PROOF SWITCH
30	61002-5	1	BLOCKED INLET SWITCH
31	181197	1	C-MORE CONTROL BOX
32	65085	1	IGNITION TRANSFORMER
(1) 33	63108	1	SSOV/RELAY JUMPER
34	93230	1	ORIFICE SNUBBER
35	64081	1	ECU, O2 SENSOR
36	65011	1	TRANSFORMER 115V/24V 100VA
37	65109	1	12V POWER SUPPLY
38	69161-1	1	DIN RAIL
39	65120	2	TERMINAL BLOCK, BLACK
40	65121	2	TERMINAL BLOCK, WHITE
41	65122	3	TERMINAL GROUND BLOCK
42	65118	2	FUSE TERMINAL
43	69177	1	LIMIT CONTROL TEMPERATURE, DIGITAL CONTROLLER
44	38035	1	I/O PANEL COVER
45	38036	1	POWER PANEL COVER
46	65128	1	3 POLE 20A BREAKER
47	124512	2	4 AMP FUSE
48	123449	1	INLET TEMPERATURE SENSOR
49	93359	1	THERMOWELL
(1) 50	63105	1	I/O SENSOR/ COMM HARNESS
(1) 51	63104	1	I/O INTERLOCK HARNESS
(1) 52	63090	1	HARNESS, TEMP LIM CONT PWR
(2) 53	124310	1	STEP DOWN TRANSFORMER 500V/120V
54	33170	1	C-MORE SUPPORT BRACKET
55	124324	1	GROUND BAR
56	64102	1	TIME DELAY RELAY
(1) 57	63103	1	SHELL HARNESS
(1) 58	63109	1	GAS TRAIN HARNESS
59	61024	1	AIR INLET TEMPERATURE SENSOR

CONTROLS (CONTINUE)			
ITEM	PART NO.	QTY	DESCRIPTION
60	123449	1	EXHAUST TEMP. SENSOR
61	61030	1	OUTLET TEMPERATURE SENSOR
62	69151	1	I/O PCB (BOARD ONLY)
(1) 63	63110	1	BLOWER CONTROL WIRE
(1) 64	65104	1	IGNITION CABLE
(1) 65	63059	1	BLOWER HARNESS
(1) 66	63083	1	O2 SENSOR HARNESS
(1) 67	63111	1	CONTROL HARNESS
(1)(2) 68	63004	1	HARNESS, 460V TRANSFORMER
69			
70			
71			

SHEET METAL / PANEL ASSEMBLY			
ITEM	PART NO	QTY	DESCRIPTION
72	30115	1	LEFT BACK PANEL
(1) 73	30116	1	RIGHT BACK PANEL
74	35022	2	TOP RAIL
75	25072	1	FRONT PANEL FRAME
76	25078	1	FRONT PANEL ASSY
77	72068	1	DOME LABEL
78	59179	2	HANDLE, CONCEALED PULL
79	59133	4	LATCH
80	30118	1	FRONT TOP PANEL
81	30119	1	BACK TOP PANEL
82	30117	2	SIDE PANEL
83	74027	1	BMK 3000 LOGO
84	39164	1	AIR INLET ADAPTER
85	38034	2	AIR INLET COVER PANEL
86			

**AERCO** INTERNATIONAL, INC.  
BLAUVELT, NY 10913

BENCHMARK 3000  
BOILER PARTS LIST

DRAWN BY KP	PL - A - 177	A
DATE 7/2/12	(SHEET 2 OF 9)	

OTHER ACCESSORIES / PARTS

ITEM	PART NO.	QTY	DESCRIPTION	
(1)	87	69087-□	1	PRESS./TEMP. GAUGE
(1)	88	SEE 58048 TABLE A	1	PRESSURE RELIEF VALVE
	89	123540	1	EXT. MANUAL SHUT-OFF VALVE
	90	69126	1	LOW WATER CUTOFF/ CAPACITOR ASSY
	91	123863	1	1/8" NPT BALL VALVE
	92	92094	1	3/4" DRAIN VALVE
(1)	93	59043	1	CONDENSATE FLOAT
(1)	94	24060	1	COND. TRAP ASSEMBLY
	95	59178	1	1/8" AIR VENT
	96	90052	1	NIPPLE 1/8" X 1.50 LG
	97			
	98			
	99			

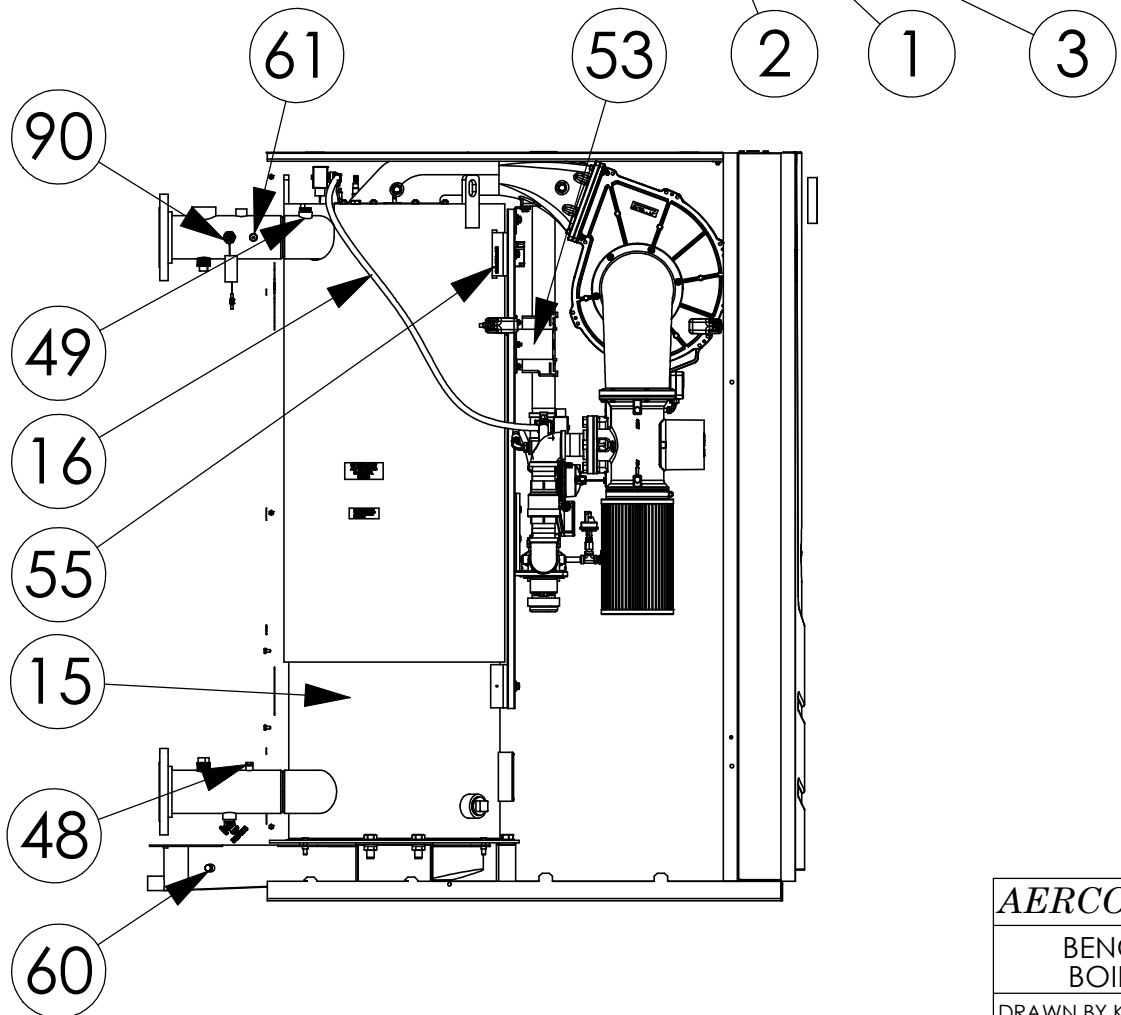
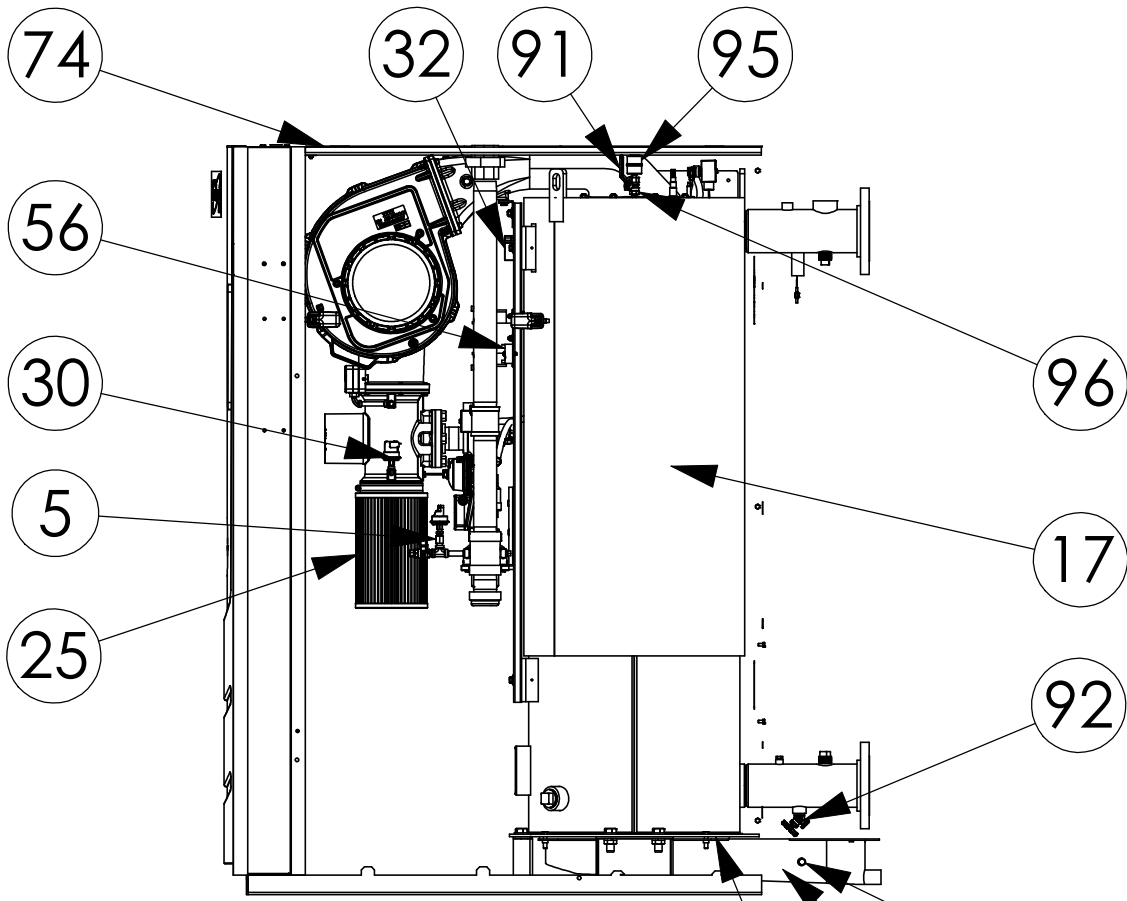
NOTES:

- (1) NOT SHOWN ON DRAWING
- (2) USE ONLY FOR 460V UNITS
- (3) CONSISTS OF ITEMS 7, 8, 9, AND HARDWARE

**AERCO** INTERNATIONAL, INC.  
BLAUVELT, NY 10913

BENCHMARK 3000  
BOILER PARTS LIST

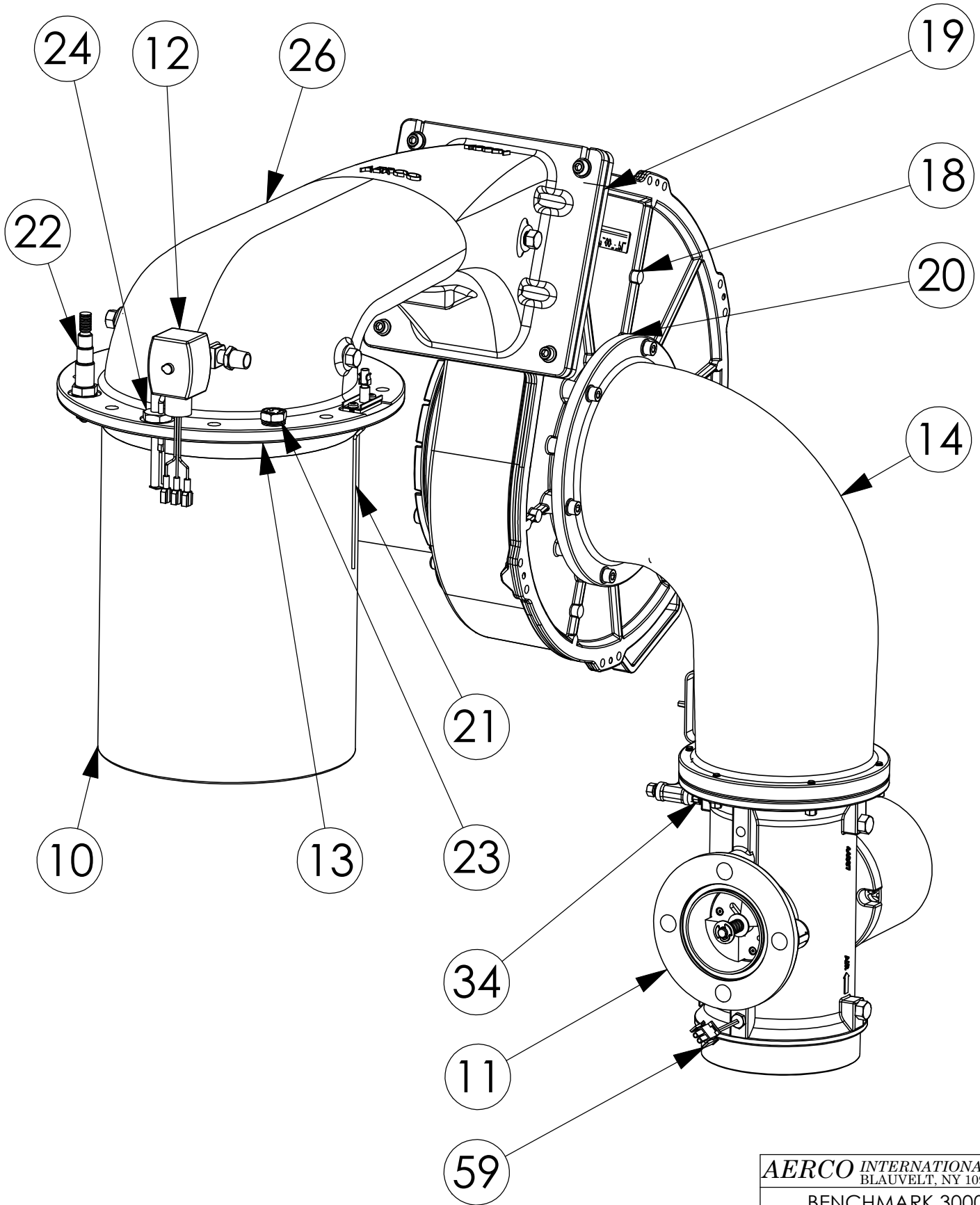
DRAWN BY KP	PL - A - 177	A
DATE 7/2/12	(SHEET 3 OF 9)	



**AERCO** INTERNATIONAL, INC.  
BLAUVELT, NY 10913

**BENCHMARK 3000  
BOILER PARTS LIST**

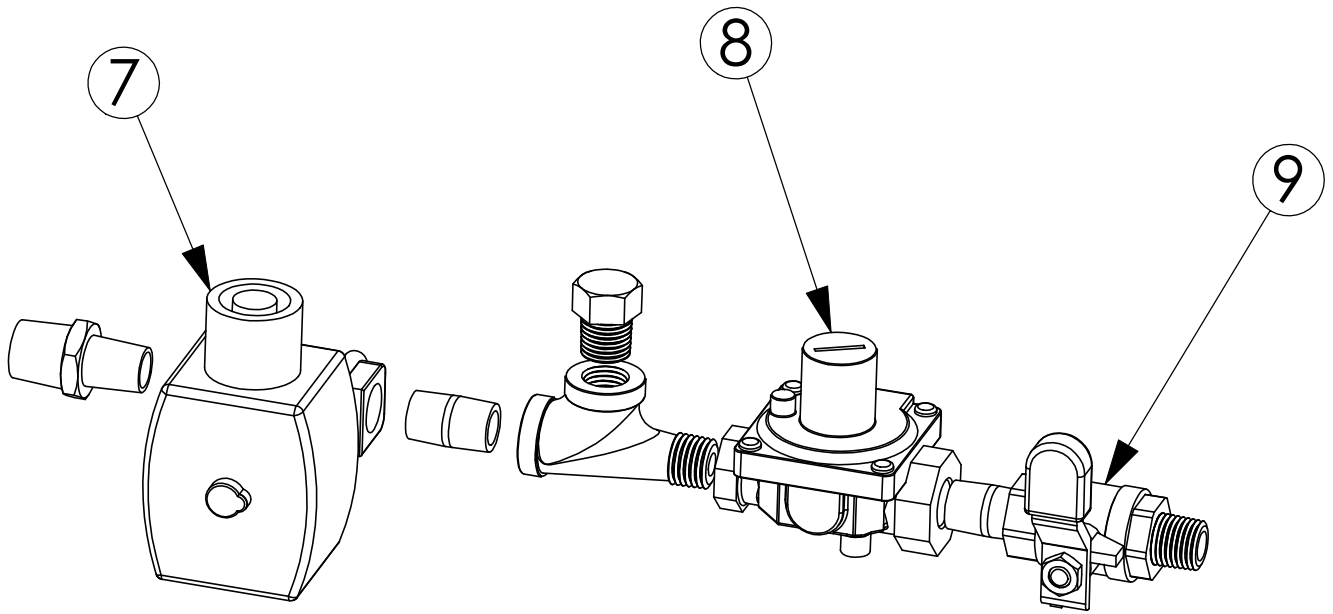
DRAWN BY KP	PL - A - 177	A
DATE 7/2/12	(SHEET 4 OF 9)	



**AERCO** INTERNATIONAL, INC.  
BLAUVELT, NY 10913

**BENCHMARK 3000  
BOILER PARTS LIST**

DRAWN BY KP	PL - A - 177	A
DATE 7/2/12	(SHEET 5 OF 9)	

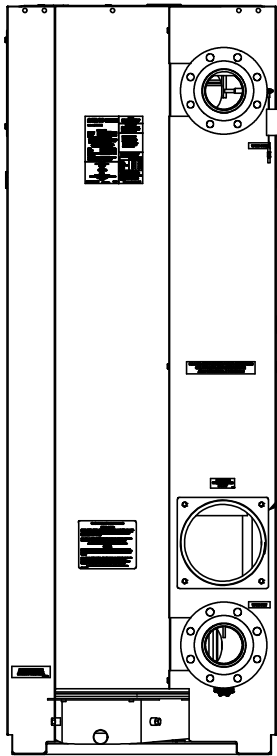


**AERCO** INTERNATIONAL, INC.  
BLAUVELT, NY 10913

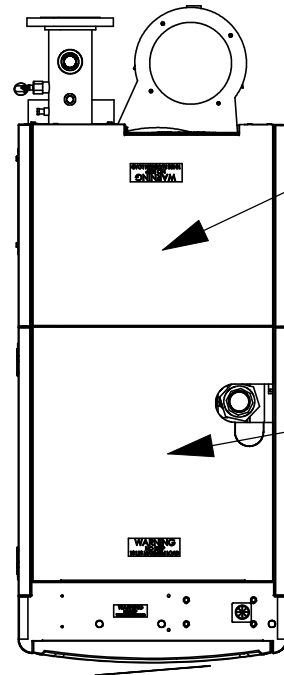
**BENCHMARK 3000  
BOILER PARTS LIST**

DRAWN BY KP	PL - A - 177
DATE 7/2/12	(SHEET 6 OF 9)

A

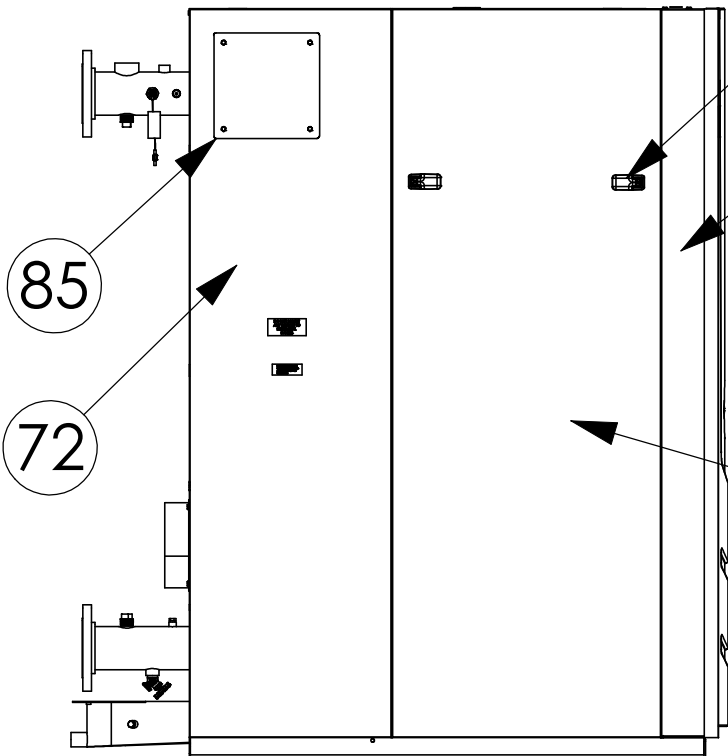


84



81

80



85

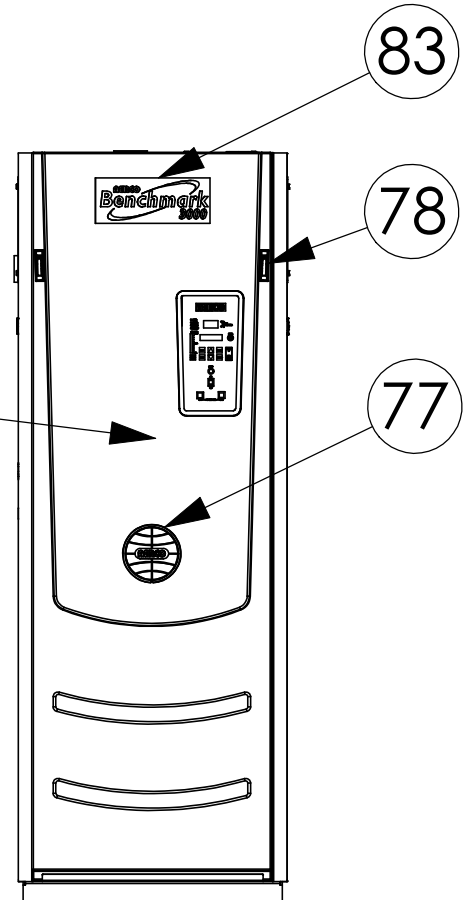
72

79

75

76

82

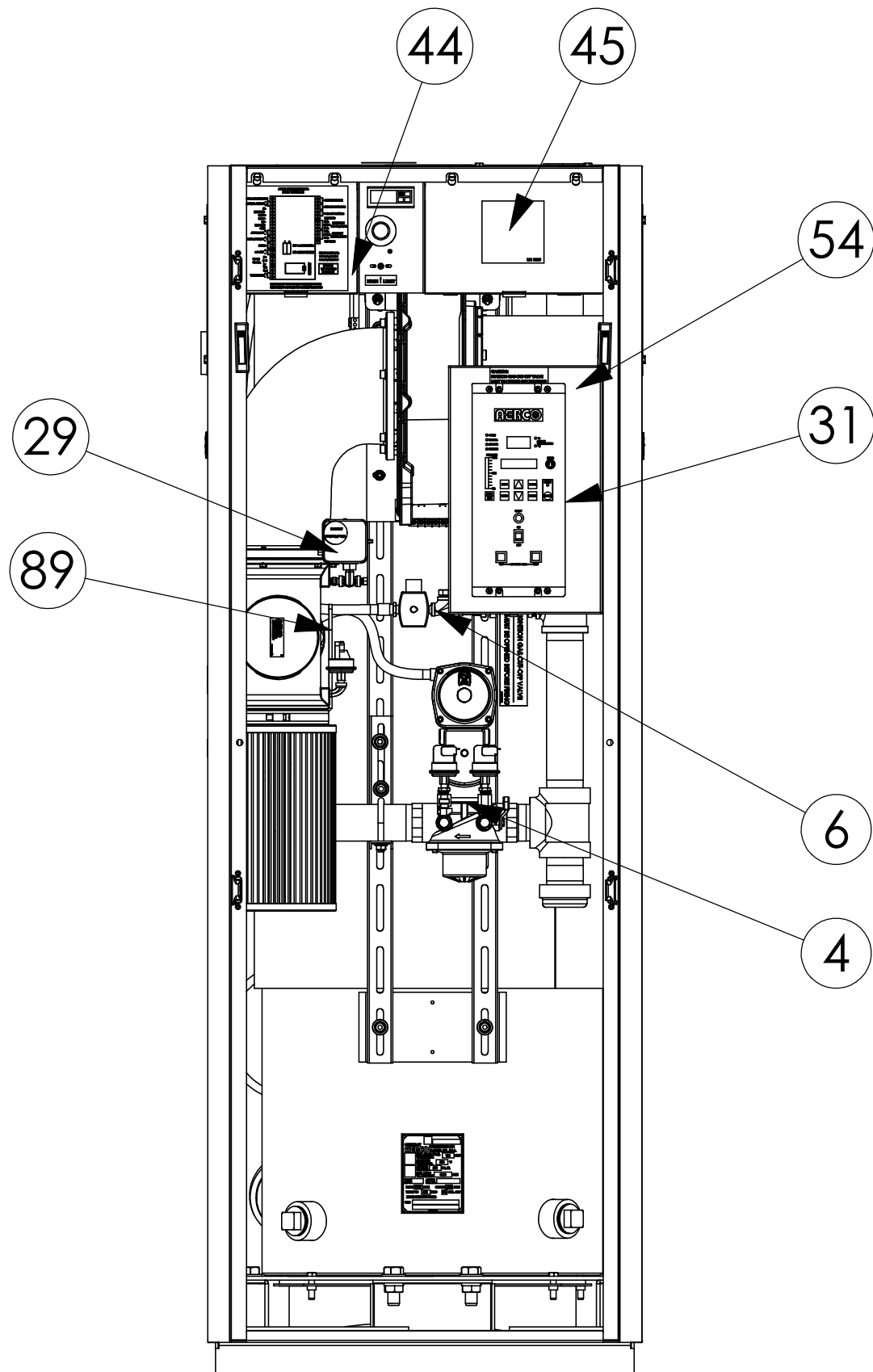


83

78

77

<b>AERCO INTERNATIONAL, INC.</b> BLAUVELT, NY 10913		
<b>BENCHMARK 3000 BOILER PARTS LIST</b>		
DRAWN BY KP	PL - A - 177	A
DATE 7/2/12	(SHEET 7 OF 9)	

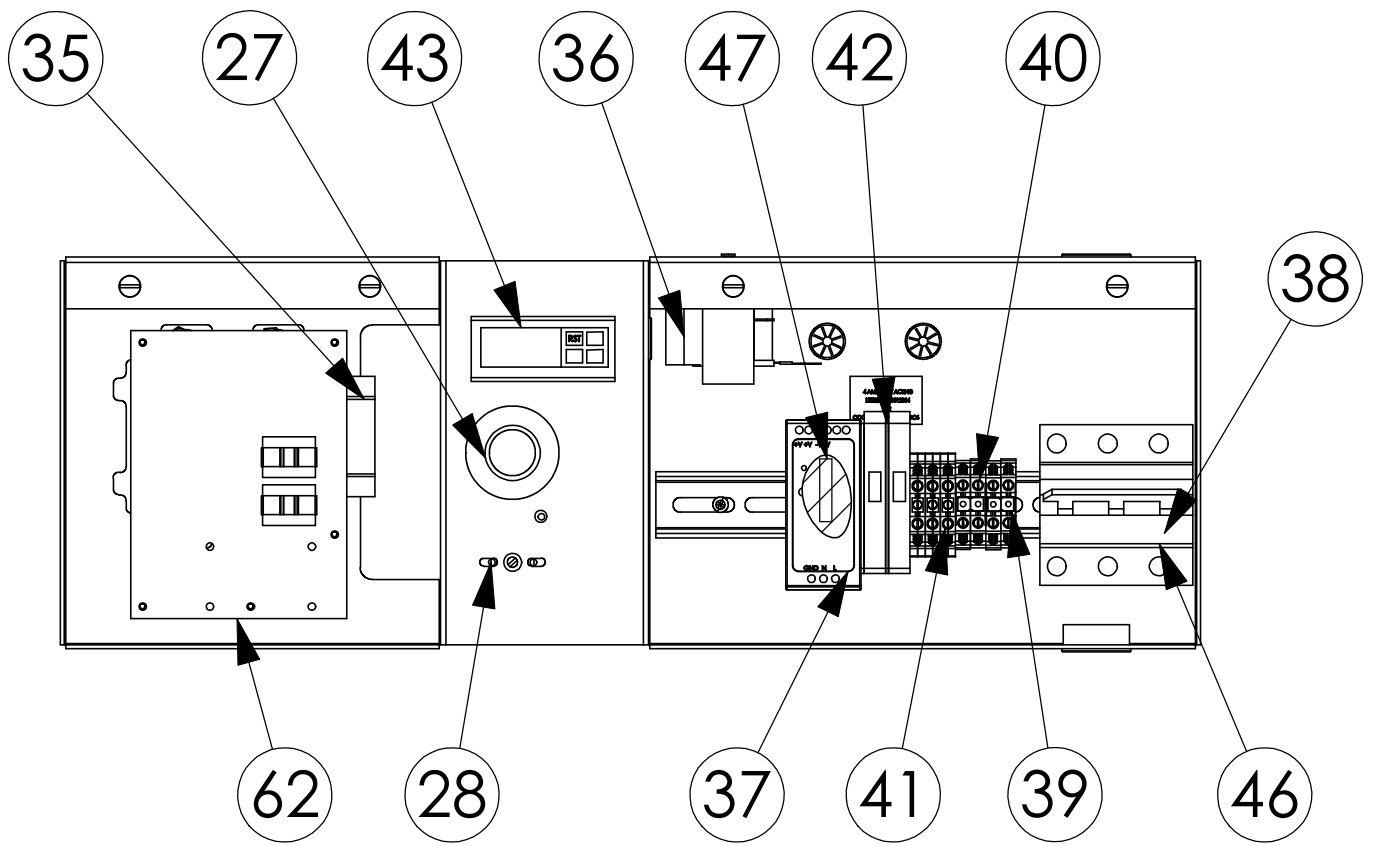


**AERCO** INTERNATIONAL, INC.  
BLAUVELT, NY 10913

**BENCHMARK 3000  
BOILER PARTS LIST**

DRAWN BY KP	PL - A - 177	A
DATE 7/2/12	(SHEET 8 OF 9)	





<b>AERCO</b> INTERNATIONAL, INC. BLAUVELT, NY 10913		
BENCHMARK 3000 BOILER PARTS LIST		
DRAWN BY KP	PL - A - 177	A
DATE 7/2/12	(SHEET 9 OF 9)	