

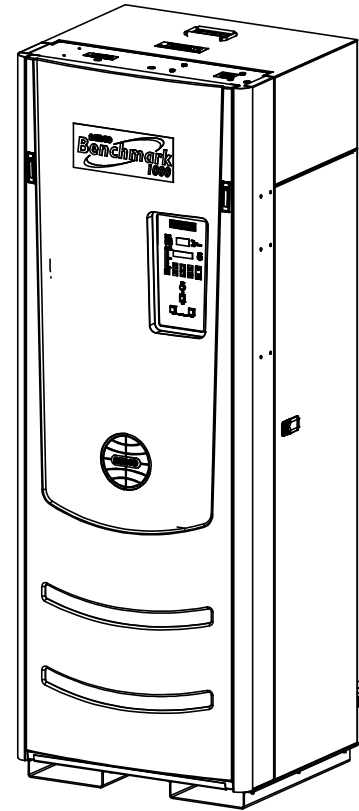
EXHAUST MANIFOLD			
ITEM	PART NO.	QTY	DESCRIPTION
1	43086	1	EXHAUST MANIFOLD
2	84033	1	EXHAUST MANIFOLD SEAL
3	9-22	2	PIPE PLUG

GAS TRAIN ASSEMBLY			
ITEM	PART NO.	QTY	DESCRIPTION
4	22140-1	1	STD FM GAS TRAIN ASSEMBLY
	22140-2		IRI GAS TRAIN ASSEMBLY
5	99017	1	GAS PRESSURE SNUBBER
6	81155	1	GASKET, 1-1/4" PIPE FLANGE

RSI KIT			
ITEM	PART NO.	QTY	DESCRIPTION
7			
8	124866	1	SOLENOID VALVE, 1/4"
9	64083	1	GAS PRESSURE REGULATOR
10	92077	1	1/4" M X F BALL VALVE

BURNER, AIR/FUEL VALVE, AND HEAT EXCHANGER			
ITEM	PART NO.	QTY	DESCRIPTION
11	46026	1	BURNER
12	24367-1	1	BMK 1000 A/F VALVE FRU KIT
	24367-2	1	BMK 750 A/F VALVE FRU KIT
13	24277	1	STAGED IGNITION ASSY.
14	81143	1	GASKET, BURNER
15	59171	1	REFLECTOR, SIGHT GLASS
16	59104	1	OBSERVATION PORT
17	27081	1	BMK 750 HEAT EXCHANGER REPLACEMENT KIT
	27082	1	BMK 1000 HEAT EXCHANGER REPLACEMENT KIT

HOSES & INSULATION			
ITEM	PART NO.	QTY	DESCRIPTION
18	97005-5	1	TUBE, FLEXIBLE GAS 18"
19	80080	1	SHELL INSULATION



BLOWER			
ITEM	PART NO.	QTY	DESCRIPTION
(1) 20	58061	1	BMK 750/1000 BLOWER REPLACEMENT KIT
21			
22	81064	1	GASKET, BLOWER
23	88004		O-RING
24	24356-1	1	FLAME ROD KIT
25	61026	1	O2 SENSOR
26	58023	1	IGNITOR REPLACEMENT KIT
27	59139	1	AIR FILTER

CONTROLS

ITEM	PART NO.	QTY	DESCRIPTION
28	123966	1	OVER TEMP SWITCH AUTO
29	123552	1	OVER TEMP SWITCH MANUAL
30	60011-1	1	BLOWER PROOF SWITCH
31	61002-5	1	BLOCKED INLET SWITCH
32	65085	1	IGNITION TRANSFORMER
33	65119	1	POWER OUTLET DIN MOUNT
34	69141	2	DIN RAIL MOUNTED END STOP
35	64081	1	ECU, O2 SENSOR
36	65011	1	TRANSFORMER 115V/24V 100VA
37	65109	1	12V POWER SUPPLY
38	69145	1	DIN RAIL, 8 1/2" LG.
39	65120	2	TERMINAL BLOCK, BLACK
40	65121	2	TERMINAL BLOCK, WHITE
41	65122	3	TERMINAL GROUND BLOCK
42	65118	2	FUSE TERMINAL
43	69177	1	LIMIT CONTROL TEMPERATURE, DIGITAL CONTROLLER
44	64048	1	ACTUATOR, SSOV ASSY W/ PRESS. REGULATOR
45	24327	1	POWER PANEL COVER
46	60019	1	30A FUSIBLE DISCONNECT SWITCH
47	124512	2	4 AMP FUSE
48	123449	1	INLET TEMPERATURE SENSOR
49	93359	1	THERMOWELL
50	33170	1	C-MORE SUPPORT BRACKET
51	181197	1	C-MORE CONTROL BOX
52	69151	1	I/O PCB (BOARD ONLY)
53	124326	2	RELAY, OMRON MY2DC24[S]
54	51006	2	CLIP, HOLD-DOWN
(1)	55	63097	I/O SENSOR/COMM HARNESS
(1)	56	63090	TEMP LIM CONT PWR HARNESS
(1)	57	124327	I/O INTERLOCK HARNESS
(1)	58	63086	SHELL HARNESS
(1)	59	161450	GAS TRAIN HARNESS

CONTROLS (CONTINUE)

ITEM	PART NO.	QTY	DESCRIPTION
60	123449	1	EXHAUST TEMP. SENSOR
61	61030	1	OUTLET TEMPERATURE SENSOR
62	61024	1	AIR INLET TEMPERATURE SENSOR
(1)	63	65104	IGNITION CABLE
(1)	64	63083	O2 SENSOR HARNESS
(1)	65	63085	CONTROL HARNESS
(1)	66	63038	BLOWER HARNESS
67			
68			
69			

SHEET METAL / PANEL ASSEMBLY

ITEM	PART NO.	QTY	DESCRIPTION
70	37110	1	LEFT PANEL
71	37111	1	RIGHT PANEL
72	37114	1	COVER ASSY
73	25072	1	FRONT PANEL FRAME ASSY
74	25078	1	FRONT PANEL ASSY
75	72068	1	DOME LABEL
76	59179	2	HANDLE, CONCEALED PULL
77	59133	2	LATCH, COMPRESSION
78	50010	1	LATCH, DRAW
79	50011	1	KEEPER, DRAW LATCH
80	74023	1	LOGO LABEL, BMK 1000
	74026		LOGO LABEL, BMK 750
81	123621	4	BOLT, HEX HD 1/4-20 X .50 LG.
82	39125	1	6" PVC AIR INLET ADAPTER
83	84037	1	SEAL, GAS
84	84038	3	SEAL, WATER PIPE
85	84039	1	SEAL, EXHAUST MANIFOLD

AERCO INTERNATIONAL, INC.
BLAUVELT, NY 10913

**BENCHMARK 750 & 1000
BOILER PARTS LIST**

DRAWN BY K.S.	PL - A - 173 (SHEET 2 OF 7)	A
DATE 8/04/12		

OTHER ACCESSORIES / PARTS

ITEM	PART NO.	QTY	DESCRIPTION
(1)	86 69087-□	1	PRESS./TEMP. GAUGE
(1)	87 see 58037 TABLE A	1	PRESSURE RELIEF VALVE
(1)	88 92006-5	1	EXT. MANUAL SHUT-OFF VALVE
	89 69126	1	LOW WATER CUTOFF/ CAPACITOR ASSY
	90 123863	1	1/8" NPT BALL VALVE
	91 92094	1	3/4" DRAIN VALVE
(1)	92 59043	1	CONDENSATE FLOAT
(1)	93 24060	1	COND. TRAP ASSEMBLY
	94 59178	1	1/8" AIR VENT
	95 124008	1	NIPPLE 1/8" x 3.00" LG
	96		
	97		
	98		
	94		

NOTES:

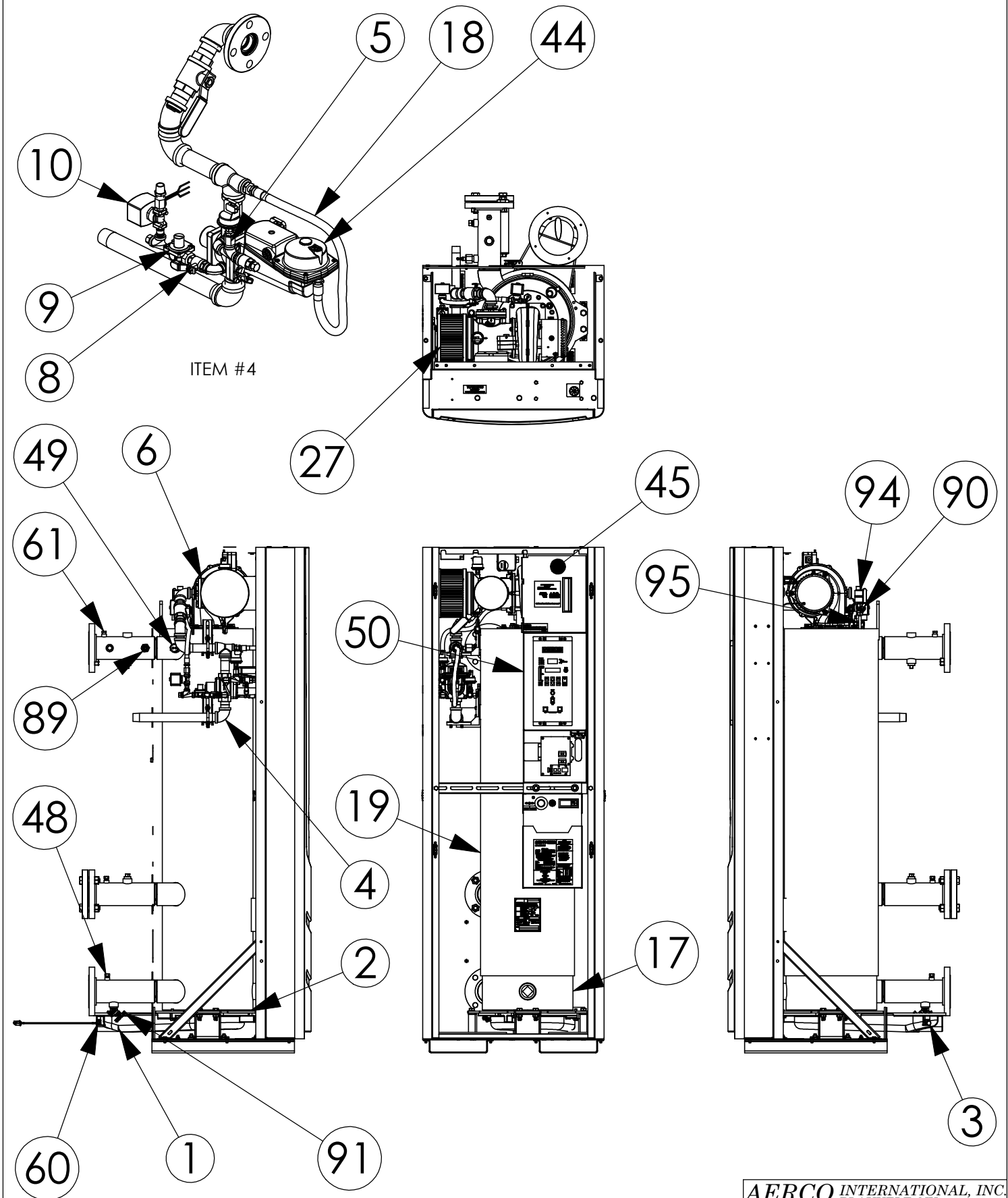
(1) NOT SHOWN ON DRAWING

AERCO INTERNATIONAL, INC.
BLAUVELT, NY 10913

BENCHMARK 750 & 1000
BOILER PARTS LIST

DRAWN BY K.S.	PL - A - 173
DATE 8/04/12	(SHEET 3 OF 7)

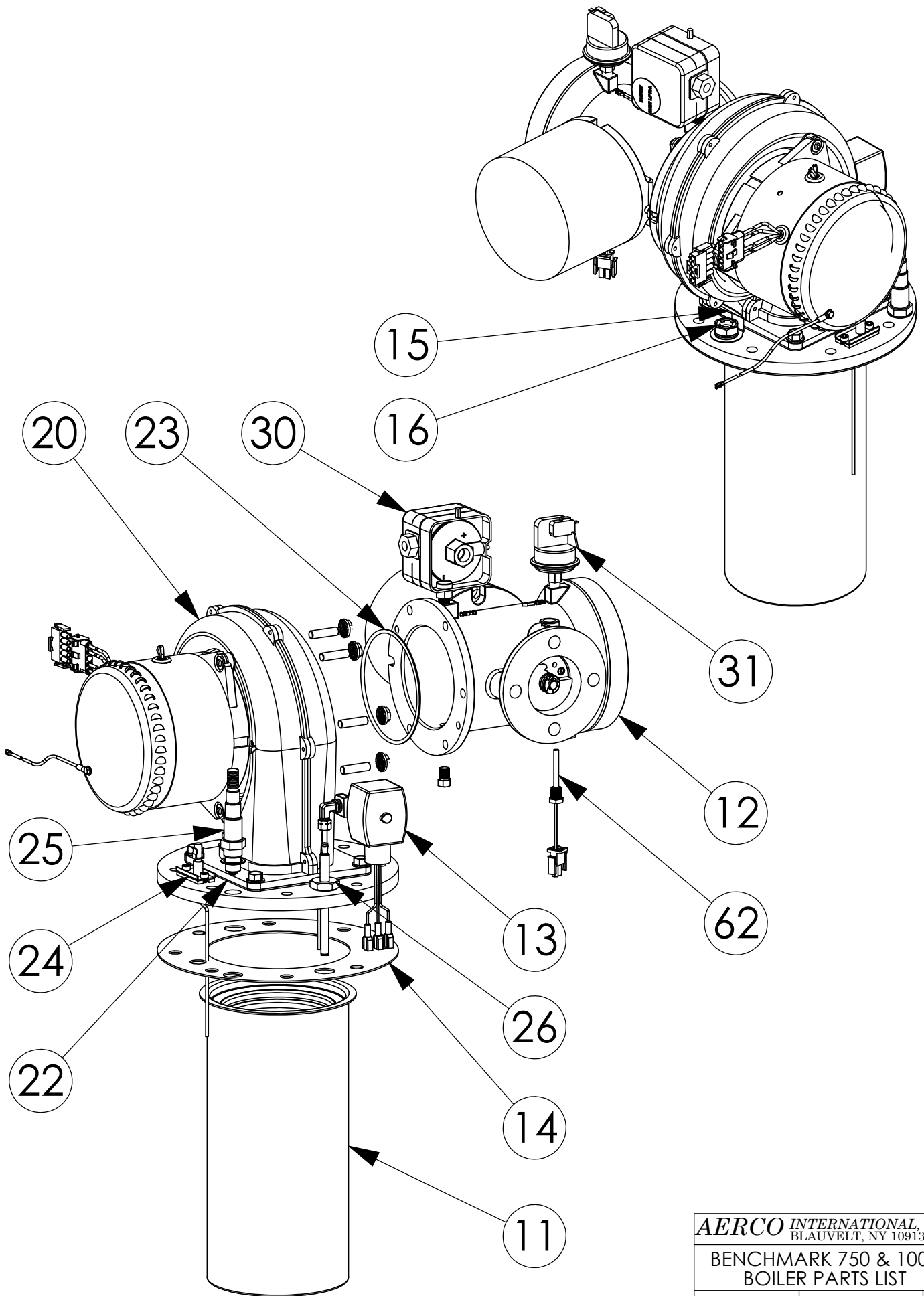
A



AERCO INTERNATIONAL, INC.
BLAUVELT, NY 10913

**BENCHMARK 750 & 1000
BOILER PARTS LIST**

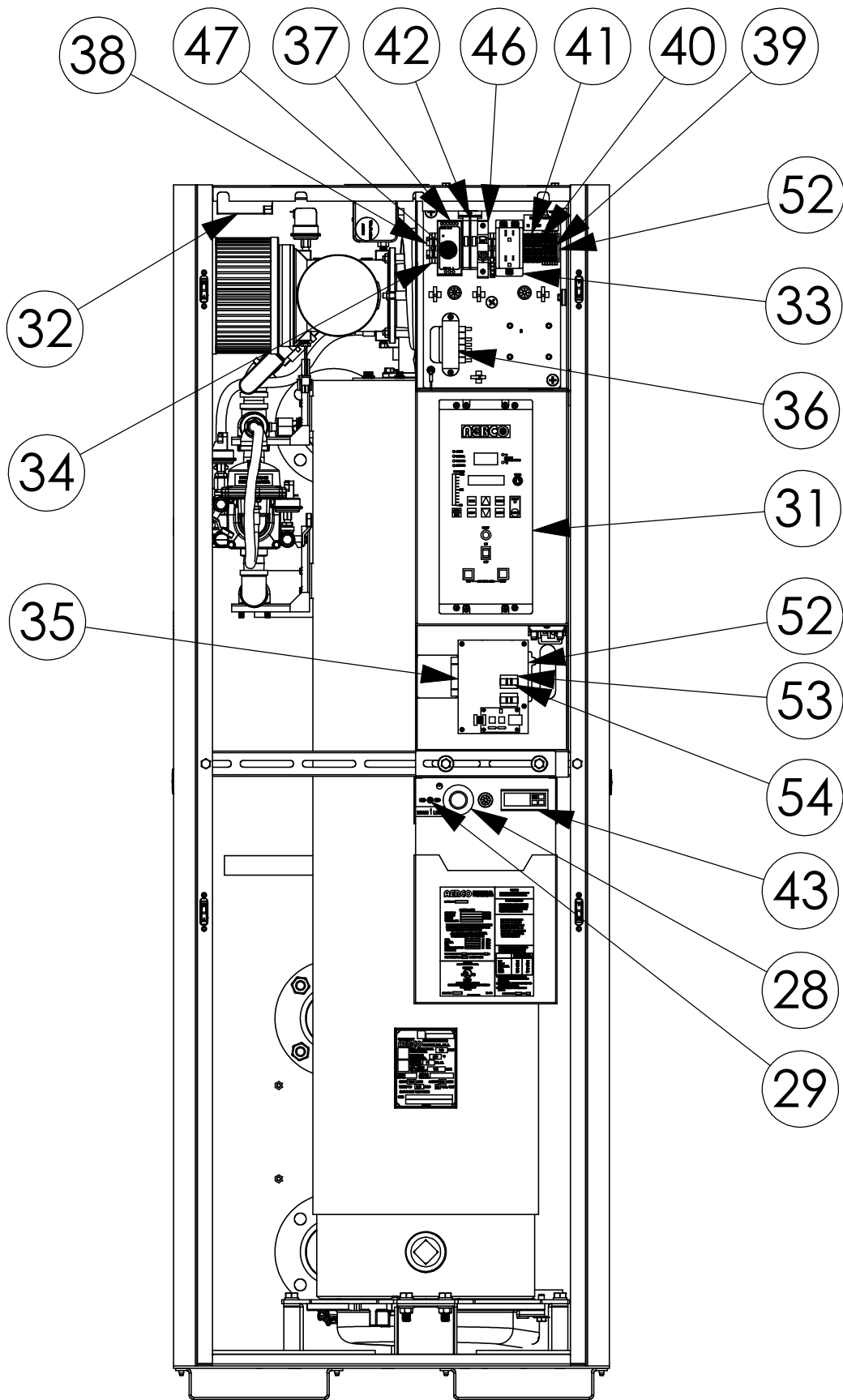
DRAWN BY K.S.	PL - A - 173	A
DATE 8/04/12	(SHEET 4 OF 7)	



AERCO INTERNATIONAL, INC.
BLAUVELT, NY 10913

**BENCHMARK 750 & 1000
BOILER PARTS LIST**

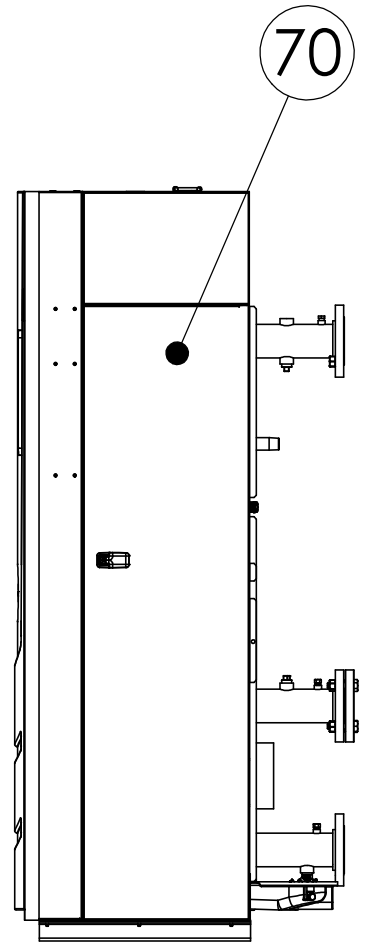
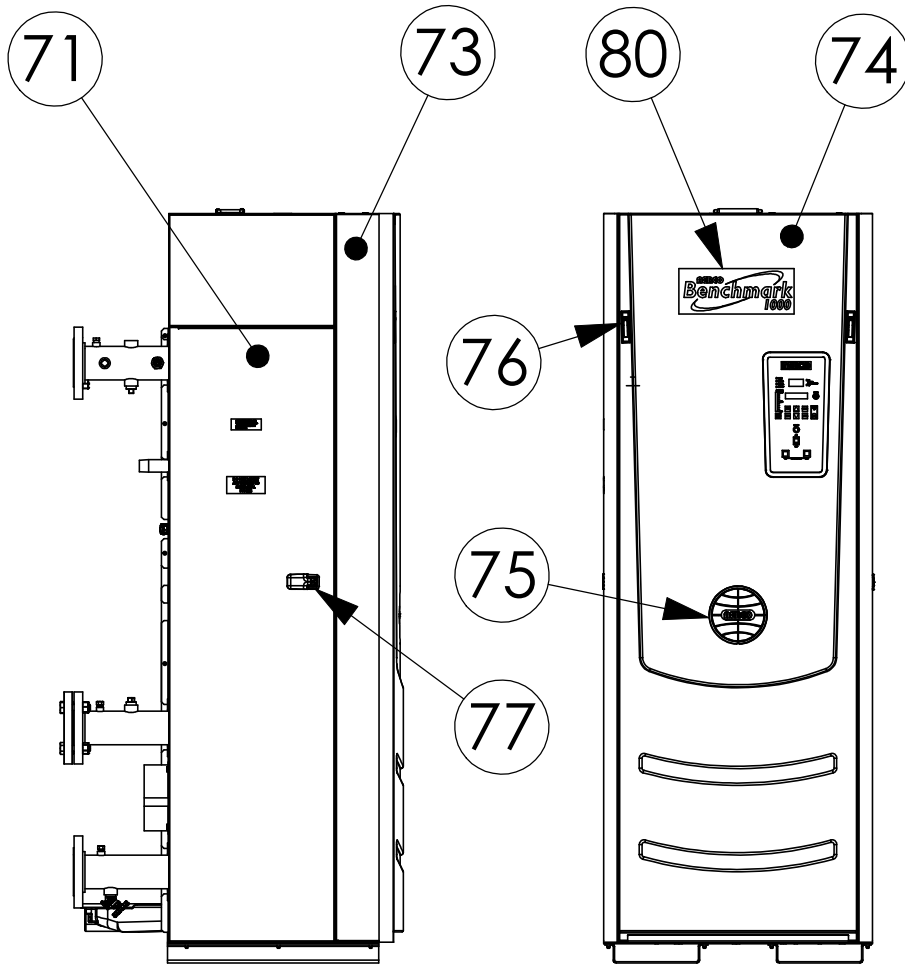
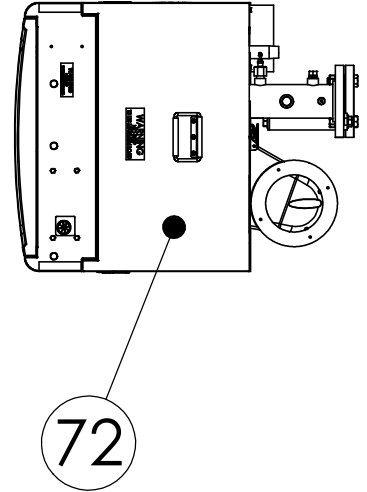
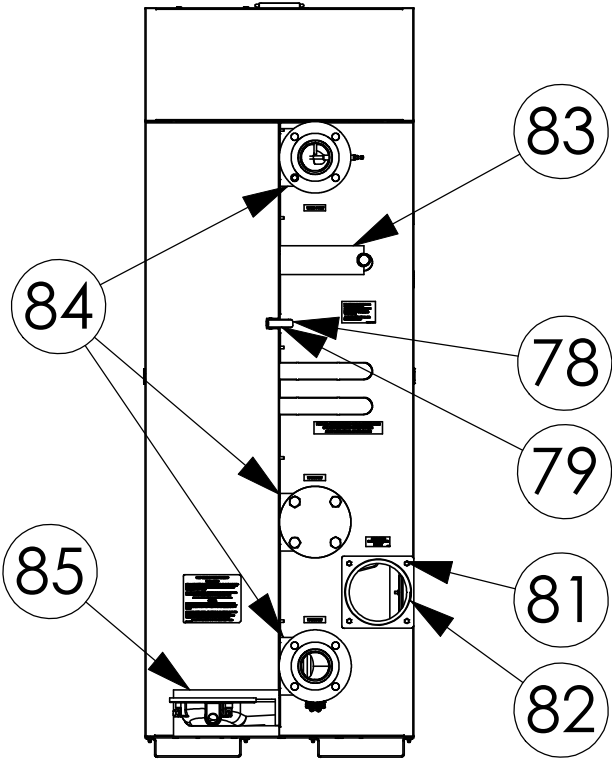
DRAWN BY K.S.	PL - A - 173	A
DATE 8/04/12	(SHEET 5 OF 7)	



AERCO INTERNATIONAL, INC.
BLAUVELT, NY 10913

**BENCHMARK 750 & 1000
BOILER PARTS LIST**

DRAWN BY K.S.	PL - A - 173	A
DATE 8/04/12	(SHEET 6 OF 7)	



AERCO INTERNATIONAL, INC.
BLAUVELT, NY 10913

**BENCHMARK 750 & 1000
BOILER PARTS LIST**

DRAWN BY K.S. PL - A - 173
DATE 8/04/12 (SHEET 7 OF 7)

A