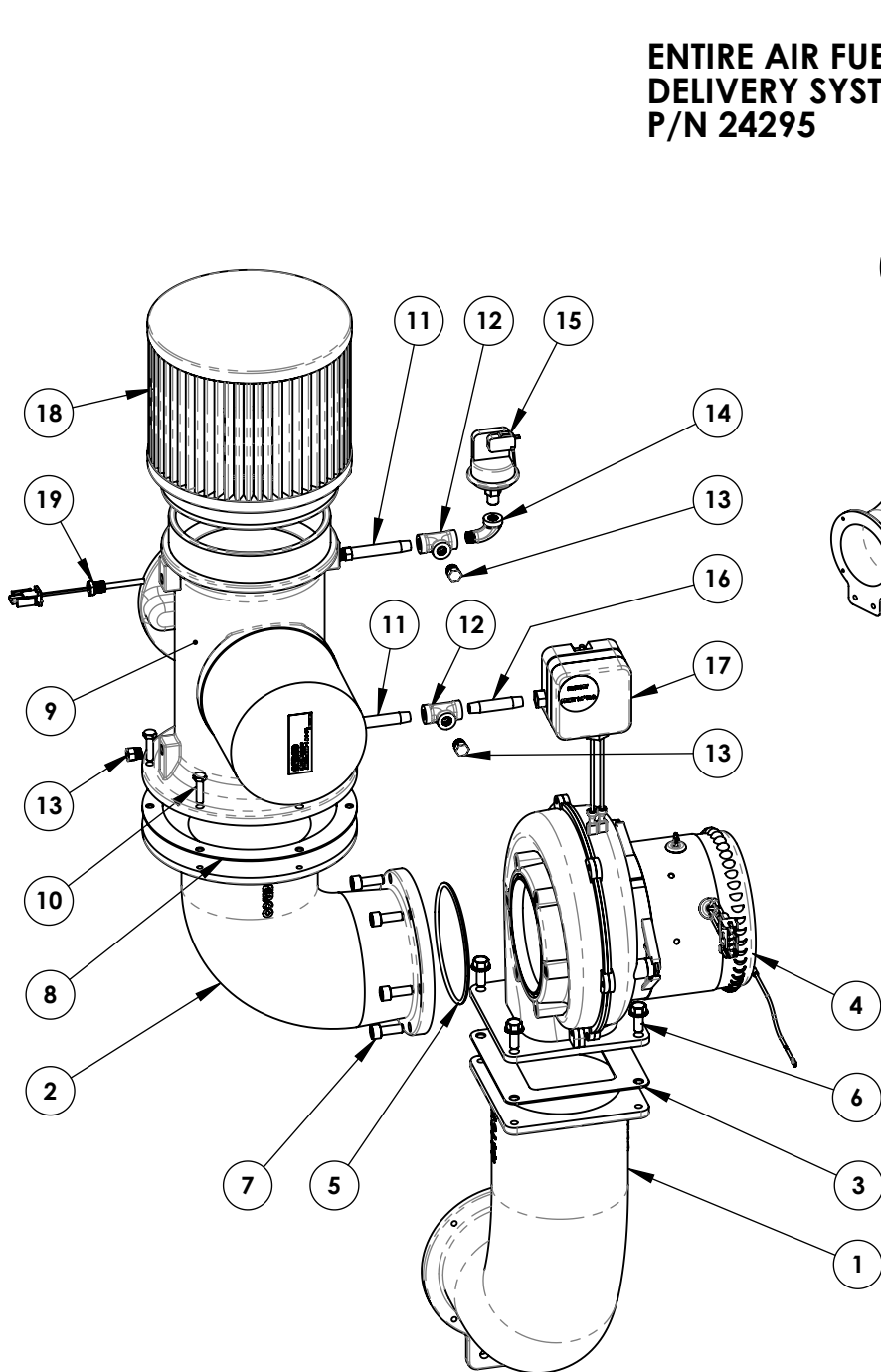


**ENTIRE AIR FUEL
DELIVERY SYSTEM
P/N 24295**



ITEM NO.	QTY.	PART NUMBER	DESCRIPTION
1	1	44107	BLOWER SIDE INTAKE MANIFOLD
2	1	44108	BLOWER-A/F VALVE ADAPTER
3	1	81064	GASKET, BLOWER
4	1	24111	BLOWER, AMETEK 8.9"
5	1	88004	O-RING #2-244 BUNA-N
6	4	54028	SCREW, HEX HD SERRATED 5/16-18
7	6	55054	BOLT, SOC HD M8 X 22
8	1	81057	GASKET, BLOWER
9	1	24220-3	A/F VALVE ASSY
10	6	122371	1/4-20 X 1" LG HEX HD. MACHINE SCREW
11	2	124008	NIPPLE, 1/8 NPT X 3.00" LG
12	2	123535	TEE, 1/8" NPT
13	3	123534	PLUG, HEX 1/8 NPT
14	1	124979	1/8" C.S. STREET ELBOW
15	1	61002-5	BLOCKED INLET SWITCH -8.0" W.C.
16	1	123765	NIPPLE, 1/8 NPT X 2.00
17	1	60011-1	SWITCH ASSY, BLOWER PROOF
18	1	59138	FILTER, AIR 6"
19	1	61024	AIR INLET TEMPERATURE SENSOR

AERCO INTERNATIONAL INC.
Blauvelt, NY 10913

**INNOVATION GFWH
AIR FUEL DELIVERY SYSTEM
BLOWER, AIR FUEL VALVE, ACCESSORIES**

DWN.BY CEW DATE 5-27-11
SCALE NTS SIZE A
CHKD. _____ APPD. _____
REV. DATE _____

PL-A-164 A

REV.