



# USER MANUAL (2 of 2)

## OPERATION, SERVICE and MAINTENANCE GUIDE

# Benchmark Series Boilers

Natural Gas, Propane Gas, or Dual Fuel Fired Modulating, Condensing Boilers

750, 1000, 1500, 2000, 2500, and 3000 MBH Boilers



**SEE ALSO:** *Benchmark Installation and Startup Guide, OMM-0121 (GF-205)*

**APPLIES TO MODELS:**

**Natural Gas:**

- BMK 750
- BMK 1000
- BMK 1500
- BMK 2000
- BMK 2500
- BMK 3000

**Dual-Fuel (NG/P):**

- BMK 1500DF
- BMK 2000DF
- BMK 2500DF
- BMK 3000DF

**Propane:**

- BMK 750P
- BMK 1000P
- BMK 1500P
- BMK 2000P

- BMK 2500P
- BMK 3000P

**Applies to Serial Numbers:**

G-17-0500 and above.

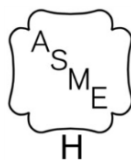
**Latest Update: 05/02/2017**

**Technical Support**

1-800-526-0288

(Mon-Fri, 8am-5pm EST)

[www.aerco.com](http://www.aerco.com)



**DISCLAIMER:**

The information contained in this manual is subject to change without notice from AERCO International, Inc. AERCO makes no warranty of any kind with respect to this material, including, but not limited to, implied warranties of merchantability and fitness for a particular application. AERCO International is not liable for errors appearing in this manual, nor for incidental or consequential damages occurring in connection with the furnishing, performance, or use of these materials

## TABLE OF CONTENTS

<b>TABLE OF CONTENTS.....</b>	<b>2</b>
<b>FOREWORD</b>	<b>5</b>
<b>SECTION 1: SAFETY PRECAUTIONS .....</b>	<b>9</b>
1.1 WARNINGS & CAUTIONS .....	9
1.2 EMERGENCY SHUTDOWN.....	10
1.3 PROLONGED SHUTDOWN.....	10
1.4 IMPORTANT – FOR MASSACHUSETTS INSTALLATIONS .....	11
<b>SECTION 2: OPERATION .....</b>	<b>13</b>
2.1 INTRODUCTION.....	13
2.2 C-MORE CONTROLLER DESCRIPTION .....	14
2.3 C-MORE CONTROLLER MENUS.....	17
2.3.1 Menu Navigation and Processing Procedure.....	17
2.4 OPERATING MENU .....	19
2.5 SETUP MENU.....	20
2.6 CONFIGURATION MENU .....	21
2.7 TUNING MENU.....	23
2.8 COMBUSTION CAL MENU .....	23
2.8.1 BMK 750/1000 COMBUSTION CAL Menu .....	23
2.8.2 BMK 1500/2000 COMBUSTION CAL Menus .....	24
2.8.3 BMK 2500/3000 COMBUSTION CAL Menus .....	25
2.9 BST (BOILER SEQUENCING TECHNOLOGY) MENU .....	26
2.10 CALIBRATION MENU.....	29
<b>SECTION 3: MODES OF OPERATION .....</b>	<b>31</b>
3.1 INTRODUCTION.....	31
3.2 INDOOR/OUTDOOR RESET MODE .....	31
3.2.1 Reset Ratio.....	31
3.2.2 Building Reference Temperature.....	31
3.2.3 Outdoor Air Temperature Sensor Installation .....	31
3.2.4 Indoor/Outdoor Startup .....	32
3.3 CONSTANT SETPOINT MODE .....	32
3.3.1 Setting the Setpoint.....	33
3.4 REMOTE SETPOINT MODES .....	33
3.4.1 Remote Setpoint Field Wiring.....	34
3.4.2 Remote Setpoint Startup .....	34
3.5 DIRECT DRIVE MODES.....	34
3.5.1 Direct Drive Field Wiring.....	35
3.5.2 Direct Drive Startup .....	35
3.6 AERCO CONTROL SYSTEM (ACS) .....	36
3.6.1 ACS External Field Wiring.....	36
3.6.2 ACS Setup and Startup.....	36
3.7 COMBINATION CONTROL SYSTEM (CCS) .....	37
3.7.1 Combination Control System Field Wiring.....	38
3.7.2 Combination Control System Setup and Startup.....	38
<b>SECTION 4: MAINTENANCE .....</b>	<b>39</b>

CONTENTS

4.1 MAINTENANCE SCHEDULE ..... 39

4.2 IGNITER-INJECTOR ..... 40

4.3 FLAME DETECTOR ..... 45

4.4 O<sub>2</sub> SENSOR45

4.5 SAFETY DEVICE TESTING ..... 46

4.6 BURNER INSPECTION ..... 46

    4.6.1 BMK 750/1000 BURNER INSPECTION ..... 47

    4.6.2 BMK 1500 – 3000 BURNER INSPECTION ..... 49

4.7 CONDENSATE DRAIN TRAP ..... 53

4.8 AIR FILTER CLEANING AND REPLACEMENT ..... 54

4.9 WATER CUTOFF (LWCO) CAPACITOR INTEGRITY TEST ..... 55

    4.9.1 Low Water Cutoff (LWCO) - Capacitor Electrical Short Test ..... 56

    4.9.2 Low Water Cutoff (LWCO) - Standard C-More Test ..... 57

4.10 SHUTTING BOILER DOWN FOR EXTENDED PERIOD ..... 57

4.11 PLACING THE BOILER BACK IN SERVICE AFTER A PROLONGED SHUTDOWN ..... 57

4.12 SPARK MONITOR (AC CURRENT TRANSDUCER) ..... 58

**SECTION 5: TROUBLESHOOTING GUIDE ..... 59**

5.1 INTRODUCTION ..... 59

5.2 ADDITIONAL FAULTS WITHOUT SPECIFIC FAULT MESSAGES ..... 71

**APPENDIX A: BOILER MENU ITEM DESCRIPTIONS ..... 73**

TABLE A-1: OPERATING MENU ITEM DESCRIPTIONS ..... 73

TABLE A-2: SETUP MENU ITEM DESCRIPTIONS ..... 75

TABLE A-3: CONFIGURATION MENU ITEM DESCRIPTIONS ..... 76

TABLE A-4: TUNING MENU ITEM DESCRIPTIONS ..... 79

TABLE A-5: COMBUSTION CALIBRATION MENU ITEM DESCRIPTIONS ..... 80

TABLE A-6: CALIBRATION MENU ITEM DESCRIPTIONS ..... 81

**APPENDIX B: STARTUP, STATUS, & FAULT MESSAGES ..... 85**

TABLE B-1: STARTUP AND STATUS MESSAGES ..... 85

TABLE B-2: FAULT MESSAGES ..... 86

**APPENDIX C: SENSOR RESISTANCE/VOLTAGE CHART ..... 89**

**APPENDIX D: RECOMMENDED PERIODIC TESTING ..... 91**

**APPENDIX E: INDOOR/OUTDOOR RESET RATIO CHARTS ..... 93**

**APPENDIX F: BENCHMARK 750/1000 PART LISTS ..... 97**

**APPENDIX G: BENCHMARK 1500/2000 PART LISTS ..... 107**

**APPENDIX H: BENCHMARK 2500/3000 PART LISTS ..... 123**

**APPENDIX I: WIRING DIAGRAMS ..... 145**

**APPENDIX J: C-MORE CONTROLLER VIEWS ..... 161**

**APPENDIX K: RECOMMENDED SPARES ..... 163**

(This page intentionally blank)

# FOREWORD

The AERCO Benchmark (BMK) 750, 1000, 1500, 2000, 2500, and 3000 natural gas and propane fueled boilers are modulating and condensing units. They represent a true industry advance that meets the needs of today's energy and environmental concerns. Designed for application in any closed loop hydronic system, the Benchmark's modulating capability relates energy input directly to fluctuating system loads. These BMK models provide extremely high efficiency operation and are ideally suited for modern low temperature, as well as, conventional heating systems.

The Benchmark models operate within the following input and output ranges:

## IMPORTANT!

Unless otherwise specified, all measurements apply to both natural gas and propane models.

BMK BOILER INTAKE and OUTPUT RANGES				
BMK MODEL	INPUT RANGE (BTU/HR.)		OUTPUT RANGE (BTU/HR.)	
	MINIMUM	MAXIMUM	MINIMUM	MAXIMUM
<b>BMK 750</b>	50,000 (14.6 kW)	750,000 (220 kW)	47,750 (14 kW)	716,250 (210 kW)
<b>BMK 1000</b>	50,000 (14.6 kW)	1,000,000 (293 kW)	48,300 (14.15 kW)	968,000 (284 kW)
<b>BMK 1500</b>	75,000 (22 kW)	1,500,000 (440 kW)	64,500 (18.9 kW)	1,395,000 (409 kW)
<b>BMK 2000</b>	100,000 (29.3 kW)	2,000,000 (586 kW)	86,000 (25.2 kW)	1,860,000 (545 kW)
<b>BMK 2500</b>	167,000 (48.9 kW)	2,500,000 (732 kW)	144,000 (42.2 kW)	2,395,000 (702 kW)
<b>BMK 3000</b>	200,000 (58.6 kW)	3,000,000 (879 kW)	174,000 (51.0 kW)	2,874,000 (842 kW)

The output of the boiler is a function of the unit's firing rate (valve position) and return water temperature.

When installed and operated in accordance with this Instruction Manual, these boilers comply with the NO<sub>x</sub> emission standards outlined in: **South Coast Air Quality Management District (SCAQMD), Rule 1146.2**. In addition, the BMK 750 & 1000 comply with the **Bay Area Air Quality Management District regulation 9, Rule 7**.

Whether used in singular or modular arrangements, the BMK boilers offer the maximum venting flexibility with minimum installation space requirements. These boilers are Category II and IV, positive pressure appliances. Single and/or multiple breeched units are capable of operation in the following vent configurations:

- **Room Combustion Air:**
  - Vertical Discharge
  - Horizontal Discharge
- **Ducted Combustion Air:**
  - Vertical Discharge
  - Horizontal Discharge

These boilers are capable of being vented utilizing Polypropylene and AL29-4C vent systems.

The Benchmark's advanced electronics are available in several selectable modes of operation offering the most efficient operating methods and energy management system integration.

<b>AERCO Technical Terminology Meanings</b>	
<b>TERMINOLOGY</b>	<b>MEANING</b>
A (Amp)	Ampere
ACS	AERCO Control System, AERCO's boiler management systems
ADDR	Address
AGND	Analog Ground
ALRM	Alarm
ANSI	American National Standards Institute,
ASME	American Society of Mechanical Engineers
AUX	Auxiliary
BAS	Building Automation System, often used interchangeably with EMS (see below)
Baud Rate	Symbol rate, or simply the number of distinct symbol changes (signaling events) transmitted per second. It is not equal to bits per second, unless each symbol is 1 bit long.
BMK (Benchmark)	AERCO's Benchmark series boilers
BMS or BMS II	AERCO Boiler Management Systems
BLDG (Bldg)	Building
BST	AERCO on-board Boiler Sequencing Technology
BTU	British Thermal Unit. A unit of energy approximately equal to the heat required to raise 1 pound (0.45 kg) of water 1°F (0.55 °C)
BTU/HR	BTUs per Hour (1 BTU/hr = 0.29 W)
CCP	Combination Control Panel
CCS	Combination Control System
C-More Controller	A control system developed by AERCO and currently used in all Benchmark, Innovation and KC1000 Series product lines.
CFH	Cubic Feet per Hour (1 CFH = 0.028 m <sup>3</sup> /hr)
CO	Carbon Monoxide
COMM (Comm)	Communication
Cal.	Calibration
CNTL	Control
CPU	Central Processing Unit
DBB	Double Block and Bleed, a gas trains containing 2 Safety Shutoff Valves (SSOVs) and a solenoid operated vent valve.
DIP	Dual In-Line Package, a type of switch
ECU	Electronic Control Unit (O <sub>2</sub> sensor)
EMS	Energy Management System; often used interchangeably with BAS
FM	Factory Mutual. Used to define boiler gas trains.
GF-xxxx	Gas Fired (an AERCO document numbering system)
GND	Ground

<b>AERCO Technical Terminology Meanings</b>	
<b>TERMINOLOGY</b>	<b>MEANING</b>
HDR	Header
Hex	Hexadecimal Number (0 – 9, A – F)
HP	Horse Power
HX	Heat Exchanger
Hz	Hertz (Cycles Per Second)
I.D.	Inside Diameter
IGN	Ignition
IGST Board	Ignition/Stepper Board, contained in the C-More Control Box
INTLK (INTL'K)	Interlock
I/O	Input/Output
I/O Box	Input/Output (I/O) Box currently used on Benchmark, Innovation and KC1000 Series products
IP	Internet Protocol
ISO	International Organization for Standardization
Lbs.	Pounds (1 lb = 0.45 kg)
LED	Light Emitting Diode
LN	Low Nitrogen Oxide
MA (mA)	Milliampere (1 thousand <sup>th</sup> of an ampere)
MAX (Max)	Maximum
MBH	1000 BTUs per Hour
MIN (Min)	Minimum
Modbus®	A serial, half-duplex data transmission protocol developed by AEG Modicon
NC (N.C.)	Normally Closed
NO (N.O.)	Normally Open
NO <sub>x</sub>	Nitrogen Oxide
NPT	National Pipe Thread
O <sub>2</sub>	Oxygen
O.D.	Outside Diameter
OMM & O&M	Operation and Maintenance Manual
onAER	AERCO's on-line remote monitoring system
PCB	Printed Circuit Board
PMC Board	Primary Micro-Controller (PMC) board, contained in the C-More
P/N	Part Number
POC	Proof of Closure
PPM	Parts per Million
PSI	Pounds per Square Inch (1 PSI = 6.89 kPa)
PTP	Point-to-Point (usually over RS232 networks)

<b>AERCO Technical Terminology Meanings</b>	
<b>TERMINOLOGY</b>	<b>MEANING</b>
P&T	Pressure and Temperature
ProtoNode	Hardware interface between BAS and a boiler or water heater
PVC	Poly Vinyl Chloride, a common synthetic plastic
PWM	Pulse Width Modulation
REF (Ref)	Reference
RES.	Resistive
RS232 (or EIA-232)	A standard for serial, full-duplex (FDX) transmission of data based on the RS232 Standard
RS422 (or EIA-422)	A standard for serial, full-duplex (FDX) transmission of data based on the RS422 Standard
RS485 (or EIA-485)	A standard for serial, half-duplex (HDX) transmission of data based on the RS485 Standard
RTN (Rtn)	Return
SETPT (Setpt)	Setpoint Temperature
SHLD (Shld)	Shield
SPDT	Single Pole Double Throw, a type of switch
SSOV	Safety Shut Off Valve
TEMP (Temp)	Temperature
Terminating Resistor	A resistor placed at each end of a daisy-chain or multi-drop network in order to prevent reflections that may cause invalid data in the communication
Tip-N-Tell	A device that indicates if a package was tipped during shipping
UL	A business that tests and validates products
VAC	Volts, Alternating Current
VDC	Volts, Direct Current
VFD	Vacuum Fluorescent Display, also Variable Frequency Drive
W	Watt
W.C.	Water Column, a unit of pressure (1 W.C. = 249 Pa)
µA	Micro amp (1 million <sup>th</sup> of an ampere)



## SECTION 1: SAFETY PRECAUTIONS

### 1.1 WARNINGS & CAUTIONS

Installers and operating personnel **MUST**, at all times, observe all safety regulations. The following warnings and cautions are general and must be given the same attention as specific precautions included in these instructions. In addition to all the requirements included in this AERCO Instruction Manual, the installation of units **MUST** conform with local building codes, or, in the absence of local codes, ANSI Z223.1 (National Fuel Gas Code Publication No. NFPA-54) for gas-fired boilers and ANSI/NFPA5B for LP gas-fired boilers. Where applicable, the equipment shall be installed in accordance with the current Installation Code for Gas Burning Appliances and Equipment, CSA B149.1, and applicable Provincial regulations for the class; which should be carefully followed in all cases. Authorities having jurisdiction should be consulted before installations are made.

See section 1.4 for important information regarding installation of units within the Commonwealth of Massachusetts.

#### IMPORTANT!

This Instruction Manual is an integral part of the product and must be maintained in legible condition. It must be given to the user by the installer and kept in a safe place for future reference.

#### WARNING!

- Do not use matches, candles, flames, or other sources of ignition to check for gas leaks.
- Fluids under pressure may cause injury to personnel or damage to equipment when released. Be sure to shut off all incoming and outgoing water shutoff valves. Carefully decrease all trapped pressures to zero before performing maintenance.
- Before attempting to perform any maintenance on the unit, shut off all gas and electrical inputs to the unit.
- The exhaust vent pipe of the unit operates under a positive pressure and therefore must be completely sealed to prevent leakage of combustion products into living spaces.
- Electrical voltages up to 120 VAC may be used in this equipment. Therefore the cover on the unit's power box (located behind the front panel door) must be installed at all times, except during maintenance and servicing.
- A three-pole switch must be installed on the electrical supply line of the unit. The switch must be installed in an easily accessible position to quickly and safely disconnect electrical service. Do not affix switch to unit sheet metal enclosures.

#### CAUTION!

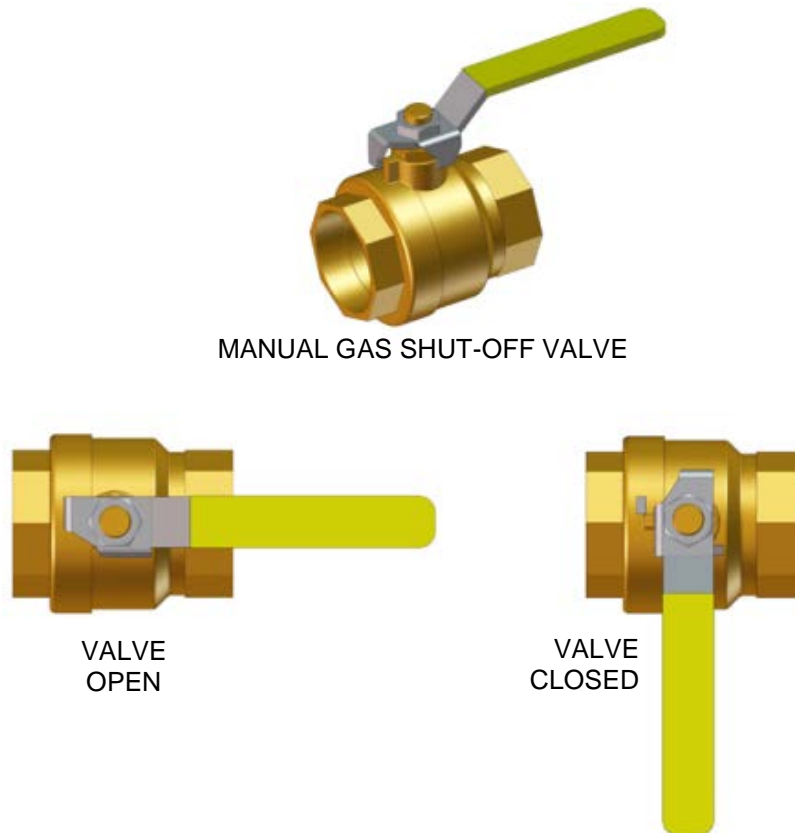
- Many soaps used for gas pipe leak testing are corrosive to metals. The piping must be rinsed thoroughly with clean water after leak checks have been completed.
- **DO NOT** use this boiler if any part has been under water. Call a qualified service technician to inspect and replace any part that has been under water.

## 1.2 EMERGENCY SHUTDOWN

If overheating occurs or the gas supply fails to shut off, close the manual gas shutoff valve (Figure 1-1) located external to the unit.

**NOTE:**

The Installer must identify and indicate the location of the emergency shutdown manual gas valve to operating personnel.



**Figure 1-1: Manual Gas Shutoff Valve**

## 1.3 PROLONGED SHUTDOWN

After prolonged shutdown, it is recommended that the startup procedures and safety device test procedures, described in Section 4 and 5, respectively of the *Benchmark 750 – 3000 Installation and Startup Guide*, OMM-0121 (GF-205) be performed to verify all system-operating parameters. If there is an emergency, turn off the electrical power supply to the AERCO boiler and close the manual gas valve located upstream the unit. The installer must identify the emergency shut-off device.

## 1.4 IMPORTANT – FOR MASSACHUSETTS INSTALLATIONS

### REQUIREMENTS FOR MASSACHUSETTS INSTALLATIONS

Boiler Installations within the Commonwealth of Massachusetts must conform to the following requirements:

- Boiler must be installed by a plumber or a gas fitter who is licensed within the Commonwealth of Massachusetts.
- Prior to unit operation, the complete gas train and all connections must be leak tested using a non-corrosive soap.
- The vent termination must be located a minimum of 4 feet above grade level. If side-wall venting is used, the installation must conform to the following requirements **extracted from 248 CMR 5.08 (2)**:

(a) For all side wall horizontally vented gas fueled equipment installed in every dwelling, building or structure used in whole or in part for residential purposes, including those owned or operated by the Commonwealth and where the side wall exhaust vent termination is less than seven (7) feet above finished grade in the area of the venting, including but not limited to decks and porches, the following requirements shall be satisfied:

**1. INSTALLATION OF CARBON MONOXIDE DETECTORS:** At the time of installation of the side wall horizontal vented gas fueled equipment, the installing plumber or gasfitter shall observe that a hard wired carbon monoxide detector with an alarm and battery back-up is installed on the floor level where the gas equipment is to be installed. In addition, the installing plumber or gasfitter shall observe that a battery operated or hard wired carbon monoxide detector with an alarm is installed on each additional level of the dwelling, building or structure served by the side wall horizontal vented gas fueled equipment. It shall be the responsibility of the property owner to secure the services of qualified licensed professionals for the installation of hard wired carbon monoxide detectors.

**a.** In the event that the side wall horizontally vented gas fueled equipment is installed in a crawl space or an attic, the hard wired carbon monoxide detector with alarm and battery back-up may be installed on the next adjacent floor level.

**b.** In the event that the requirements of this subdivision can not be met at the time of completion of installation, the owner shall have a period of thirty (30) days to comply with the above requirements; provided, however, that during said thirty (30) day period, a battery operated carbon monoxide detector with an alarm shall be installed.

**2. APPROVED CARBON MONOXIDE DETECTORS:** *Each carbon monoxide detector as required in accordance with the above provisions shall comply with NFPA 720 and be ANSI/UL 2034 listed and IAS certified.*

**3. SIGNAGE:** A metal or plastic identification plate shall be permanently mounted to the exterior of the building at a minimum height of eight (8) feet above grade directly in line with the exhaust vent terminal for the horizontally vented gas fueled heating appliance or equipment. The sign shall read, in print size no less than one-half (1/2) inch in size, "**GAS VENT DIRECTLY BELOW. KEEP CLEAR OF ALL OBSTRUCTIONS**". (Continued)

## REQUIREMENTS FOR MASSACHUSETTS INSTALLATIONS

**4. INSPECTION:** The state or local gas inspector of the side wall horizontally vented gas fueled equipment shall not approve the installation unless, upon inspection, the inspector observes carbon monoxide detectors and signage installed in accordance with the provisions of 248 CMR 5.08(2)(a)1 through 4.

(b) **EXEMPTIONS:** The following equipment is exempt from 248 CMR 5.08(2)(a)1 through 4:

1. The equipment listed in Section 10 entitled "Equipment Not Required To Be Vented" in the most current edition of NFPA 54 as adopted by the Board; and
2. Product Approved side wall horizontally vented gas fueled equipment installed in a room or structure separate from the dwelling, building or structure used in whole or in part for residential purposes.

(c) **MANUFACTURER REQUIREMENTS - GAS EQUIPMENT VENTING SYSTEM PROVIDED.** When the manufacturer of Product Approved side wall horizontally vented gas equipment provides a venting system design or venting system components with the equipment, the instructions provided by the manufacturer for installation of the equipment and the venting system shall include:

1. Detailed instructions for the installation of the venting system design or the venting system components; and
2. A complete parts list for the venting system design or venting system.

(d) **MANUFACTURER REQUIREMENTS - GAS EQUIPMENT VENTING SYSTEM NOT PROVIDED.** When the manufacturer of a Product Approved side wall horizontally vented gas fueled equipment does not provide the parts for venting the flue gases, but identifies "special venting systems", the following requirements shall be satisfied by the manufacturer:

1. The referenced "special venting system" instructions shall be included with the appliance or equipment installation instructions; and
2. The "special venting systems" shall be Product Approved by the Board, and the instructions for that system shall include a parts list and detailed installation instructions.

(e) A copy of all installation instructions for all Product Approved side wall horizontally vented gas fueled equipment, all venting instructions, all parts lists for venting instructions, and/or all venting design instructions shall remain with the appliance or equipment at the completion of the installation.

.....[End of Extracted Information From 248 CMR 5.08 (2)].....

## SECTION 2: OPERATION

### 2.1 INTRODUCTION

The information in this section provides a guide to the operation of the Benchmark Boiler using the C-More Controller mounted on the front of the unit. It is imperative that the initial startup of this unit be performed by factory trained personnel. Operation prior to initial startup by factory trained personnel may void the equipment warranty. In addition, the following WARNINGS and CAUTIONS must be observed at all times.

#### WARNING!

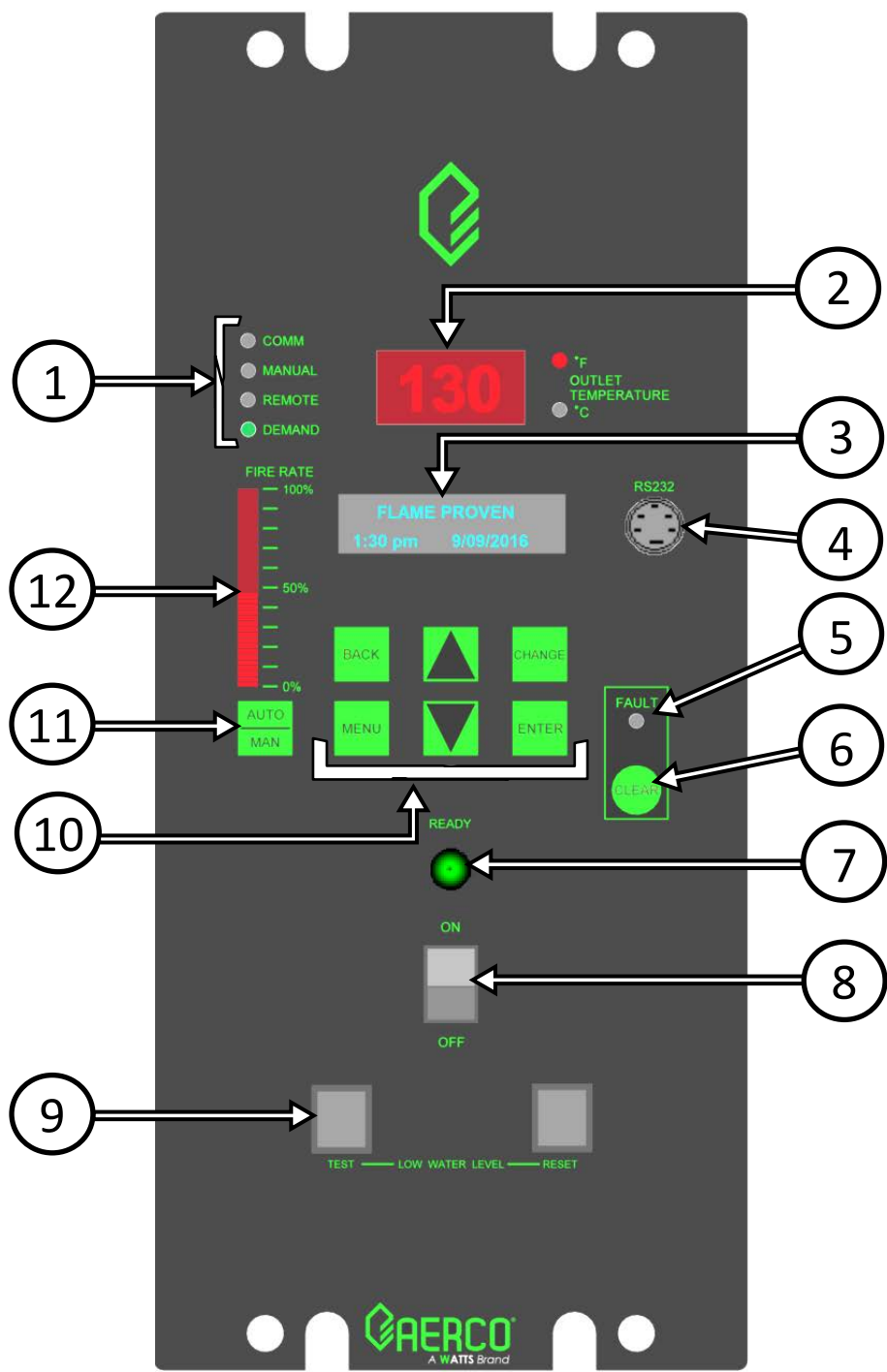
- **ELECTRICAL VOLTAGES IN THIS SYSTEM INCLUDE 120 VAC (BMK 750 – 2000) and 208 or 460 VAC (BMK 2500/3000) and 24 volts AC.** It must be serviced only by factory certified service technicians.
- **DO NOT ATTEMPT TO DRY FIRE THE UNIT.** Starting the unit without a full water level can seriously damage the unit and may result in injury to personnel or property damage. This situation will void any warranty.

#### CAUTION!

All of the installation procedures in the *Benchmark 750 – 3000 Installation and Startup Guide*, OMM-0121 (GF-205) must be completed before attempting to start the unit.

## 2.2 C-MORE CONTROLLER DESCRIPTION

All Benchmark boilers utilize the C-More Controller shown in Figure 2-1. This panel contains all of the controls, indicators and displays necessary to operate, adjust and troubleshoot the boiler. These operating controls, indicators and displays are listed and described in Table 2-1. Additional information on these items is provided in the individual operating procedures and menu descriptions provided in this section.



**Figure 2-1: C-More Controller Front View**

**TABLE 2-1: CONTROLS, INDICATORS, AND DISPLAYS (ref. Figure 2-1)**

ITEM	CONTROL, INDICATOR or DISPLAY	FUNCTION
<b>1</b>	<b>LED STATUS INDICATORS</b>	
	Four Status LEDs indicate the current operating status as follows:	
	<b>COMM</b> =	Lights when RS232 communication is occurring – see Item 4.
	<b>MANUAL</b> =	Lights when the valve position (fire rate) is being controlled using the front panel keypad. This mode of operation is for service technician use only.
	<b>REMOTE</b> =	Lights when the unit is being controlled by an external signal from an Energy Management System.
<b>DEMAND</b> =	Lights when there is a demand for heat.	
<b>2</b>	<b>OUTLET TEMPERATURE</b> Display	3–Digit, 7–Segment LED display continuously displays the outlet water temperature. The °F or °C LED next to the display lights to indicate whether the displayed temperature is in degrees Fahrenheit or degrees Celsius. The °F or °C blinks when operating in the DEADBAND mode. On a BST Manager, display flashes & shows header temperature.
<b>3</b>	<b>VFD</b> Display	Vacuum Fluorescent Display (VFD) consists of 2 lines each capable of displaying up to 16 alphanumeric characters. The information displayed includes: <ul style="list-style-type: none"> <li>• Startup Messages</li> <li>• Fault Messages</li> <li>• Operating Status Messages</li> <li>• Menu Selection</li> <li>• BST Messages</li> </ul>
<b>4</b>	<b>RS232</b> Port	This port is used only by factory-trained personnel to monitor onAER communications, in combination with the RS232 Adaptor Cable (P/N <b>124675</b> ).
<b>5</b>	<b>FAULT</b> Indicator	Red <b>FAULT</b> LED indicator lights when a boiler alarm condition occurs. An alarm message will appear in the VFD.
<b>6</b>	<b>CLEAR</b> Key	Turns off the <b>FAULT</b> indicator and clears the alarm message if the alarm is no longer valid. Lockout type alarms will be latched and cannot be cleared by simply pressing this key. Troubleshooting may be required to clear these types of alarms.
<b>7</b>	<b>READY</b> Indicator	Lights when ON/OFF switch is set to <b>ON</b> and when all Pre-Purge conditions have been satisfied.
<b>8</b>	<b>ON/OFF</b> switch	Enables and disables boiler operation.
<b>9</b>	<b>LOW WATER LEVEL TEST/RESET</b> switches	<ul style="list-style-type: none"> <li>• Allows operator to test operation of the water level monitor.</li> <li>• Pressing <b>TEST</b> opens the water level probe circuit and simulates a Low Water Level alarm.</li> <li>• Pressing <b>RESET</b> resets the water level monitor circuit.</li> <li>• Pressing the <b>CLEAR</b> key (item 6) resets the display.</li> </ul>

**TABLE 2-1: CONTROLS, INDICATORS, AND DISPLAYS (ref. Figure 2-1)**

ITEM	CONTROL, INDICATOR or DISPLAY	FUNCTION
<b>10</b>	<b>MENU KEYPAD</b>	
	Six (6) keys which provide the following functions for the C-More Controller menus:	
	<b>MENU</b>	Steps through the main menu categories shown in Figure 2-2. The menu categories wrap around in the order shown.
	<b>BACK</b>	Allows you to go back to the previous menu level without changing any information. Continuously pressing this key will bring you back to the default status display in the VFD. Also, this key allows you to go back to the top of a main menu category.
	▲ (UP) Arrow	When in one of the main menu categories (Figure 2-2), pressing the ▲ arrow key will select the displayed menu category. If the <b>CHANGE</b> key was pressed and the menu item is flashing, pressing the ▲ arrow key will increment the selected setting.
	▼ (DOWN) Arrow	When in one of the main menu categories (Figure 2-2), pressing this key will select the displayed menu category. If the <b>CHANGE</b> key was pressed and the menu item is flashing, pressing the ▼ arrow key will decrement the selected setting.
	<b>CHANGE</b>	Permits a setting to be changed (edited). When the <b>CHANGE</b> key is pressed, the displayed menu item will begin to flash. Pressing the ▲ or ▼ arrow key when the item is flashing will increment or decrement the displayed setting.
<b>ENTER</b>	Saves the modified menu settings in memory. The display will stop flashing.	
<b>11</b>	<b>AUTO/MAN</b> switch	<p>This switch toggles the boiler between the AUTOMATIC and MANUAL modes of operation. When in the MANUAL (<b>MAN</b>) mode, the front panel controls are enabled and the <b>MANUAL</b> status LED lights. Manual operation is for service only.</p> <p>When in the AUTOMATIC (<b>AUTO</b>) mode, the <b>MANUAL</b> status LED will be off and the front panel controls disabled.</p>
<b>12</b>	<b>VALVE POSITION</b> Bargraph	20 segment red LED bargraph continuously shows the Air/Fuel Valve position in 5% increments from 0 to 100%



## 2.3 C-MORE CONTROLLER MENUS

The C-More Controller incorporates an extensive menu structure which permits the operator to set up, and configure the unit. The menu structure consists of five major menu categories which are applicable to this manual. These categories are shown in Figure 2-2. Each of the menus shown, contain options which permit operating parameters to be viewed or changed. The menus are protected by password levels to prevent unauthorized use.

Prior to entering the correct password, the options contained in the *Operation*, *Setup*, *Configuration* and *Tuning* menu categories can be viewed. However, with the exception of Internal Setpoint Temperature (*Configuration* menu), none of the viewable menu options can be changed.

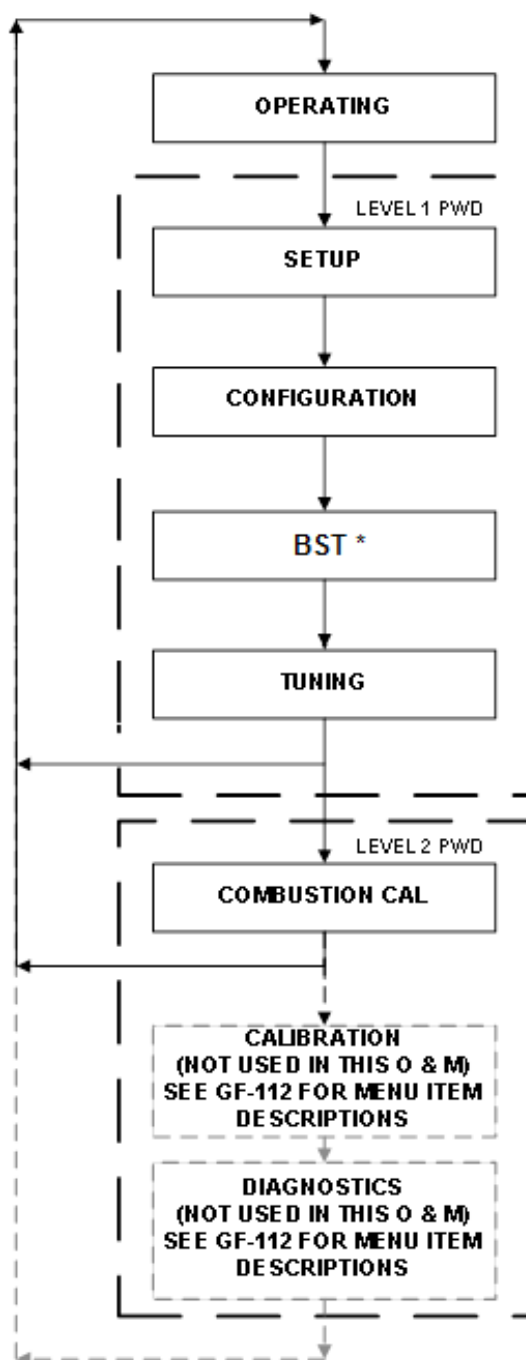
Once the valid **level 1 password (159)** is entered, the options listed in the *Setup*, *Configuration* and *Tuning* menus can be viewed and changed, if desired. The *Combustion Cal* menu is protected by the **level 2 password (6817)**, which is used in initial startup (see Section 4: *Initial Startup* of the *Benchmark 750 – 3000 Installation and Startup Guide*, OMM-0121 (GF-205)), to perform combustion calibration prior to service use.

### 2.3.1 Menu Navigation and Processing Procedure

Accessing and initiating each menu and option is accomplished using the menu keys shown in Figure 2-1. Therefore, it is imperative that you be thoroughly familiar with the following basic steps before attempting to perform specific menu procedures:

#### MENU NAVIGATION and PROCESSING PROCEDURE Instructions

1. The C-More Controller will normally be in the *Operating* menu and the VFD will display the current unit status. Pressing the ▲ or ▼ arrow key will display the other available data items in the *Operating* menu.
2. Press the **MENU** key. The display will show the *Setup* menu, which is the next menu category shown in Figure 2-2. This menu contains the Password option which must be entered if other menu options will be changed.
3. Continue pressing the **MENU** key until the desired menu is displayed.
4. With the desired menu displayed, press the ▲ or ▼ arrow key. The first option in the selected menu will be displayed.
5. Continue to press the ▲ or ▼ arrow key until the desired menu option is displayed. Pressing the ▲ arrow key will display the available menu options in the Top-Down sequence. Pressing the ▼ arrow key will display the options in the Bottom-Up sequence. The menu options will wrap-around after the first or last available option is reached.
6. To change the value or setting of a displayed menu option, press the **CHANGE** key. The displayed option will begin to flash. Press the ▲ or ▼ arrow key to scroll through the available menu option choices for the option to be changed. The menu option choices do not wrap around.
7. To select and store a changed menu item, press the **ENTER** key.



\* Only if BST is enabled. BST is described in detail in Section 6 of the *Benchmark 750 – 3000 Installation and Startup Guide*, OMM-0121 (GF-205).

**Figure 2-2: Menu Structure**

**NOTE:**

The following sections provide brief descriptions of the options contained in each menu. Refer to Appendix A for detailed descriptions of each menu option. Refer to Appendix B for a list and descriptions of startup, status and error messages.

## 2.4 OPERATING Menu

The *Operating* menu displays a number of key operating parameters for the unit. All items in this menu except *O2 Monitor* (item 15) are “Read-Only” and cannot be changed. This menu can be accessed without entering a password.

A full description of each item appears in Appendix A-1.

<b>Table 2-2: OPERATING Menu</b>				
MENU ITEM DISPLAY		AVAILABLE CHOICES OR LIMITS		Appears Only If Enabled in:
		Minimum	Maximum	
<b>1</b>	Active Setpoint	40°F (4.4°C)	240°F (116°C)	
<b>2</b>	Outlet Temp	30°F (-1.1°C)	240°F (116°C)	Configuration Menu
<b>3</b>	Inlet Temp	30°F (-1.1°C)	240°F (116°C)	
<b>4</b>	Air Temp	-70°F (-56.7°C)	245°F (118°C)	
<b>5</b>	Outdoor Temp	-70°F (-56.7°C)	130°F (54.4°C)	Configuration Menu
<b>6</b>	Valve Position In	0%	100%	
<b>7</b>	Valve Position Out	0%	100%	Configuration Menu
<b>8</b>	FFWD Temp	30°F (-1.1°C)	240°F (115.6°C)	
<b>9</b>	Exhaust Temp	Displays current exhaust temperature		
<b>10</b>	Flame Strength	0%	100%	
<b>11</b>	Min Flame Str	Not Used		
<b>12</b>	O2 Monitor	Enable	Disable	O2 Monitor = Enabled
<b>13</b>	Oxygen Level	0%	21%	
<b>14</b>	Ignition Time	0.00	10.00	
<b>15</b>	SSOV Time to OPN	0.00	10.00	
<b>16</b>	Spark Current	0 amps	2.5 amps	
<b>17</b>	Run Cycles	0	999,999,999	
<b>18</b>	Run Hours	0	999,999,999	
<b>19</b>	Fault Log	0	19	

An additional parameter associated with the Operating menu, **Manual Valve Pos** (Min = 0, Max = 100) does not appear in this menu, but can be displayed by pushing the **Auto/Man** button on the C-More Controller’s front face.

## 2.5 SETUP Menu

The *Setup* menu permits the operator to enter the unit password (159) which is required to change the menu options. To prevent unauthorized use, the password will time-out after 1 hour. Therefore, the correct password must be reentered when required. In addition to permitting password entries, the *Setup* menu is also used to enter date and time, and units of temperature measurements. A view-only software version display is also provided to indicate the current C-More Controller software version.

A full description of each item appears in Appendix A-2.

Table 2-3: SETUP Menu				
MENU ITEM DISPLAY		AVAILABLE CHOICES OR LIMITS		DEFAULT
		Minimum	Maximum	
1	Password	0	9999	0
2	Language	English		English
3	Time	12:00 am	11:59 pm	12:00
4	Date	01/01/00	12/31/99	01/01/00
5	Unit of Temp	Fahrenheit or Celsius		Fahrenheit
6	Comm Address	0	127	0
7	Baud Rate	2400, 4800, 9600, 19.2K		9600
8	onAER Mode	Ethernet or SD Card		Ethernet
9	Min Upload Timer	0	9,999 Sec	0
10	Unit Alpha	E, G, H, R, N or A		A
11	Unit Year	0	99	0
12	Unit Serial #	0	9999	0
13	Software	Ver 0.00	Ver 9.99	Current software version

## 2.6 CONFIGURATION Menu

The *Configuration* menu permits adjustment of the Internal Setpoint (Setpt) temperature regardless of whether the valid password has been entered. Setpt is required for operation in the CONSTANT SETPOINT mode. The remaining options in this menu require the valid password to be entered, prior to changing existing entries. This menu contains a number of other configuration settings which may or may not be displayed, depending on the current operating mode setting.

A full description of each item appears in Appendix A-3.

**NOTE:**  
The *Configuration* menu settings are Factory-Set in accordance with the requirements specified for each individual order. Under normal operating conditions, no changes will be required.

MENU ITEM DISPLAY		AVAILABLE CHOICES OR LIMITS		DEFAULT
		Minimum	Maximum	
1	Internal Setpt	40°F (4.4°C)	240°F (115.6°C)	130°F (54.4°C)
2	Unit Type	BMK Blr Std, BMK Blr Std Dual, BMK Blr LN, BMK Blr LN Dual		BMK Boiler LN
3	Unit Size (Only displays sizes available for the unit)	750 MBH (220 kW), 1000 MBH (293 kW), 1500 MBH (439.6 kW), 2000 MBH (586.1 kW), 2500 MBH (732.6 kW), 3000 MBH (879.2 kW)		750 MBH (220 kW),
4	Fuel Type	Natural Gas or Propane		Natural Gas in standard and dual fuel models, Propane in propane only models
5	Boiler Mode	Constant Setpoint, Remote Setpoint, Direct Drive, Combination, Outdoor Reset		Constant Setpoint
6	Remote Signal (If Mode = Remote Setpoint, Direct Drive or Combination)	4 – 20 mA/1 – 5V 0 -20 mA/0 – 5V PWM Input (Legacy BMS), Network		4 – 20 mA, 1-5V
7	Outdoor Sensor	Enabled or Disabled		Disabled
8	* Bldg Ref Temp (If Mode = Outdoor Reset)	40°F (4.4°C)	230°F (110°C)	70°F (21.1°C)
9	* Reset Ratio (If Mode = Outdoor Reset)	0.1	9.9	1.2
10	* System Start Tmp (If Outdoor Sensor = Enabled)	30°F (-1.1°C)	100°F (37.8°C)	60°F (15.6°C)
11	Setpt Lo Limit	40°F (4.4°C)	Setpt Hi Limit	60°F (15.6°C)

SECTION 2: OPERATION

Table 2-4: CONFIGURATION Menu				
MENU ITEM DISPLAY		AVAILABLE CHOICES OR LIMITS		DEFAULT
		Minimum	Maximum	
12	Setpt Hi Limit	Setpt Lo Limit	210°F (98.9°C)	180°F (82.2°C)
13	Temp Hi Limit	40°F (4.4°C)	210°F (98.9°C)	195°F (90.6°C)
14	Max Valve Position	40%	100%	100%
15	Pump Delay Timer	0 min.	30 min.	0 min.
16	Aux Start On Dly	0 sec.	120 sec.	0 sec.
17	Failsafe Mode	Shutdown or Constant Setpt		Constant Setpt
18	Analog Output	Off, Setpoint, Outlet Temp, Valve Pos 4-20mA, valve Pos 0-10v		Valve Pos 0-10v (Do NOT change)
19	Low Fire Timer	2 sec.	600 sec.	2 sec.
20	Setpt Limiting	Enabled or Disabled		Disabled
21	Setpt Limit Band	0°F (0°C)	10°F (5.5°C)	5°F (2.75°C)
22	Network Timeout	5 sec.	999 sec.	30 sec.
23	Shutoff Dly Temp	0°F (0°C)	25°F (13.75°C)	10°F (5.5°C)
24	Demand Offset	0°F (0°C)	25°F (13.75°C)	10°F (5.5°C)
25	Deadband High	0°F (0°C)	25°F (13.75°C)	5°F (2.75°C)
26	Deadband Low	0°F (0°C)	25°F (13.75°C)	5°F (2.75°C)
27	IGST Version	Displays current IGST version		V2.02
28	IGN Time Setting	Displays 4 sec. or 7 sec. depending on wiring harness installed		
29	Slow Shutdown	Enabled or Disabled		Disabled
30	Slow Sht Duration	0 sec.	9,999 sec.	60 sec.
31	Slow Sht Threshold	40%	100%	60
32	O2 Warnings	Enabled or Disabled		Disabled
33	O2 Trim ID	Displays 4 digit AERtrim ID		
34	Fixed ID	Displays unit's fixed 4 digit ID		
35	O2 Trim Key	Displays AERtrim 4 digit license key		
36	O2 Trim Menu	Enabled or Disabled		Disabled
37	BST Menu	Enabled or Disabled		Disabled

\*NOTE

The *Bldg Ref Temp* and *Reset Ratio* menu Items are only displayed when the *Outdoor Sensor*, item # 7 is set to **Enabled**.

**CAUTION!**

**DO NOT change** the *Analog Output* menu item from its default setting (Valve Position 0-10V).

## 2.7 TUNING Menu

The *Tuning* menu items are Factory set for each individual unit. Do not change these menu entries unless specifically requested to do so by factory-trained personnel.

A full description of each item appears in Appendix A-4.

**Table 2-5: TUNING Menu**

MENU ITEM DISPLAY		AVAILABLE CHOICES OR LIMITS		DEFAULT
		Minimum	Maximum	
1	Prop Band	1°F (0.55°C)	120°F (66°C)	70°F (38.5°C)
2	Integral Gain	0.00	2.00	1.00
3	Derivative Time	0.0 min	2.00 min	0.0min
4	Warmup Prop Band	1°F (0.55°C)	120°F (66°C)	95 °F (52°C)
5	Warmup Int Gain	0.00	2.00	0.50
6	Warmup PID timer	0 sec.	240 sec.	20 sec.
7	Reset Defaults?	Yes, No, Are You Sure?		No

## 2.8 COMBUSTION CAL Menu

The *Combustion Cal* (Calibration) menu is protected by the level 2 password (**6817**) which must be entered to view or change the menu items shown in Table 2-6, 2-7 and 2-8. These menu items are used to vary the speed of the unit's blower motor based on air temperature and air density at prescribed Air/Fuel Valve positions (% open). This is accomplished by providing a DC drive voltage to the motor, which then adjusts the rotational speed of the blower to maximize combustion efficiency and ensure the unit conforms to the Nitrogen Oxide (NO<sub>x</sub>) and Carbon Monoxide (CO) emissions specified in the combustion calibration instructions in Section 4.4 of the *Benchmark 750 – 3000 Installation and Startup Guide*, OMM-0121 (GF-205).

CAL Voltage values are factory adjusted for each unit prior to shipping, and so may differ from the defaults shown in the tables below. A full description of each item appears in Appendix A-5.

### 2.8.1 BMK 750/1000 COMBUSTION CAL Menu

**Table 2-6: COMBUSTION CAL Menu: BMK 750/1000**

Menu Item Display		Acceptable Range		Default	
		Minimum	Maximum	Natural gas	Propane
1	CAL Voltage 18%	0.25	10.00	2.10	2.10
2	CAL Voltage 30%	0.25	10.00	2.55	2.55
3	CAL Voltage 45%	0.25	10.00	3.10	3.10
4	CAL Voltage 60%	0.25	10.00	3.50	3.50
5	CAL Voltage 80%	0.25	10.00	4.60	4.60
6	CAL Voltage 100%	0.25	10.00	5.60	5.60
7	SET Valve Position	0%	100%	0%	0%
8	Blower Output	Monitor Blower Output Voltage		0.00	0.00
9	Set Stdby Volt	0 V	10.0 V	2.00	2.00
10	Oxygen Level	0%	25%	0.0	0.0

**2.8.2 BMK 1500/2000 COMBUSTION CAL Menu**

**Table 2-7a: COMBUSTION CAL Menu: BMK 1500/2000**  
SINGLE FUEL – NATURAL GAS

Menu Item Display		Acceptable Range		Defaults	
		Minimum	Maximum	BMK 1500	BMK 2000
1	CAL Voltage 16%	0.25	10.00	1.80	–
	CAL Voltage 18%			–	1.40
2	CAL Voltage 30%	0.25	10.00	2.30	3.80
3	CAL Voltage 40%	0.25	10.00	2.50	4.30
4	CAL Voltage 50%	0.25	10.00	2.90	5.40
5	CAL Voltage 70%	0.25	10.00	3.80	6.40
6	CAL Voltage 100%	0.25	10.00	7.90	9.50
7	SET Valve Position	0%	100%	Variable	
8	Blower Output	Displays current value			
9	Set Stdby Volt	0	10.00 V	2.00 V	2.00 V
10	Oxygen Level	Displays current value			

**Table 2-7b: COMBUSTION CAL Menu: BMK 1500/2000**  
DUAL FUEL

Menu Item Display		Acceptable Range		Defaults			
				NATURAL GAS *		PROPANE	
		Minimum	Maximum	BMK 1500	BMK 2000	BMK 1500	BMK 2000
1	CAL Voltage: 16%	0.25	10.00	1.50	2.10	–	–
	CAL Voltage: 18%	0.25	10.00	–	–	1.20	2.10
2	CAL Voltage 30%	0.25	10.00	2.60	4.50	2.30	3.50
3	CAL Voltage 40%	0.25	10.00	3.20	4.50	2.80	3.90
4	CAL Voltage 50%	0.25	10.00	3.30	4.50	3.00	4.10
5	CAL Voltage 70%	0.25	10.00	4.10	4.80	3.50	4.10
6	CAL Voltage 100%	0.25	10.00	8.30	9.80	7.70	8.90
7	SET Valve Position	0	100	Variable			
8	Blower Output	Displays current value					
9	Set Stdby Volt	0	10.0	2.00	2.00	2.00	2.00
10	Oxygen Level	Displays current value					

\* The default values for Natural Gas on Dual Fuel units are different than the default values for Natural Gas on Single Fuel units. These values do NOT apply to single fuel units.



**2.8.3 BMK 2500/3000 COMBUSTION CAL Menu**

**Table 2-8a: COMBUSTION CAL Menu: BMK 2500/3000 SINGLE FUEL – NATURAL GAS**

MENU ITEM DISPLAY		Acceptable range		Defaults	
		Minimum	Maximum	BMK 2500	BMK 3000
1	CAL Voltage 16%	0.25	10.00	2.20	–
	CAL Voltage 14%			–	2.80
2	CAL Voltage 30%	0.25	10.00	4.10	4.60
3	CAL Voltage 40%	0.25	10.00	4.80	5.00
4	CAL Voltage 50%	0.25	10.00	5.30	5.50
5	CAL Voltage 70%	0.25	10.00	6.80	6.90
6	CAL Voltage 100%	0.25	10.00	8.50	9.10
7	SET Valve Position	0%	100%	Variable	
8	Blower Output	Displays current value			
9	Set Stdby Volt	0	10.00 V	2.00 V	2.00 V
10	Oxygen Level	Displays current value			

**Table 2-8b: COMBUSTION CAL Menu: BMK 2500/3000 DUAL FUEL**

Menu Item Display		Acceptable Range		Defaults			
				NATURAL GAS *		PROPANE	
		Minimum	Maximum	BMK 2500	BMK 3000	BMK 2500	BMK 3000
1	CAL Voltage: <b>14%</b>	0.25	10.00	–	2.40	–	–
	CAL Voltage: <b>16%</b>	0.25	10.00	2.15	–	–	–
	CAL Voltage: <b>18%</b>	0.25	10.00	–	–	2.00	2.30
	CAL Voltage: <b>20%</b>	0.25	10.00	2.10	–	–	–
	CAL Voltage: <b>22%</b>	0.25	10.00	–	–	2.00	–
2	CAL Voltage 30%	0.25	10.00	3.90	5.40	3.30	4.40
3	CAL Voltage 45%	0.25	10.00	5.60	6.60	4.60	5.40
4	CAL Voltage 65%	0.25	10.00	–	7.00	–	5.70
	CAL Voltage 70%	0.25	10.00	6.60	–	5.60	–
5	CAL Voltage 75%	0.25	10.00	–	–	–	–
	CAL Voltage 85%	0.25	10.00	–	8.00	–	7.00
6	CAL Voltage 100%	0.25	10.00	8.50	8.70	7.90	8.60
7	SET Valve Position	0	100	Variable			
8	Blower Output	Displays current value					
9	Set Stdby Volt	0	10.0	2.00	2.00	2.00	2.00
10	Oxygen Level	Displays current value					

\* The default values for Natural Gas on Dual Fuel units are different than the default values for Natural Gas on Single Fuel units. These values shown DO NOT APPLY to single fuel units.

## 2.9 BST (Boiler Sequencing Technology) Menu

The *BST* menu must be enabled in order to be displayed and accessed. The **BST Menu** item, located at the end of the *Configuration* menu (item 37 in Table 2-4), must be set to **Enabled**.

The *BST* menu contains all of the items required to configure, operate and monitor the functionality of the BST System. There are over 50 items in this menu, and selecting any particular item from the list, for inspection or modification, could be time consuming. As a result, the *BST* menu has been segmented into FIVE logical groups based on functionality.

The five Item groups are:

1. **BST Monitor Items**
2. **\*BST SETUP MENU\***
3. **\*OPERATE MENU\***
4. **\*TEMP CTRL MENU\***
5. **\*BST COMM MENU\***

These displayed item groups are displayed in UPPER CASE letters, and are bounded by an asterisk \* in order to readily identify them within the item list.

The Items contained in group 1 (BST Monitor Items) are *always* displayed within the menu, as these items are critical for proper system operation. Therefore, the BST Monitor Items Header itself is *not* displayed.

The Items contained in groups 2-5 are *not displayed* unless that particular item group has been enabled from the C-More keypad.

Table 2-9: BST Menu					
MENU ITEM DISPLAY		AVAILABLE CHOICES OR LIMITS			DEFAULT
		Minimum	Maximum		
1	<b>BST Mode</b>	Off	BST Client	BST Manager	Off
2	BST Setpoint	BST Setpt Lo Limit		BST Setpt Hi Limit	130°F (54.4°C)
3	Header Temp	Read Only – current Header temperature in °F			N/A
4	BST Fire Rate	0	100%		Fire rate %
5	BST Ave Fire Rate	0	100%		Avg Fire Rate %
6	BST Outdoor Temp	Read Only – current outdoor temperature in °F			N/A
7	Units Available	0	8		Units Present
8	Units Ignited	0	8		Units firing
9	BST Valve State	0 (CLOSED)		1 (OPEN)	0
10	1 BST Comm Errors 8	0	9		0
11	1 BST Units 8	0 (see * NOTE below)			0
12	<b>*BST SETUP MENU*</b>	Disabled		Enabled	Disabled
13	BST Setpoint Mode	Constant Setpoint	Remote Setpoint	Outdoor Reset	Constant Setpt
14	BST Remote Signl	4-20 mA/1-5 VDC	0-20 mA/0-5 VDC	Network	Network
15	Head Temp Source	Network		FFWD Temp	FFWD Temp
16	Mdbus Temp Units	Degrees C or Degrees F			Degrees C

SECTION 2: OPERATION

**Table 2-9: BST Menu**

MENU ITEM DISPLAY		AVAILABLE CHOICES OR LIMITS			DEFAULT
		Minimum	Maximum		
17	Header Temp Addr	0	255		240
18	Header Temp Point	0	255		14
19	BST Outdoor Sens	Disabled		Enabled	Disabled
20	Outdr Tmp Source	Outdoor Temp		Network	Outdoor Temp
21	Outdoor Tmp Addr	0	255		240
22	Outdoor Tmp Pnt	0	255		215
23	BST Auto Mstr	No		Yes NOTE! A Modbus temperature transmitter must be installed in conjunction with this feature.	No
24	BST Auto Timer	10 sec		120 sec	30 sec
25	Remote Intlk Use	Boiler Shutdown		System Shutdown	System Shutdown
26	One Boiler Mode	Off	On-Outlet Temp	On-Avg Temp	Off
27	1 Blr Threshold	10		35	25
28	Setpoint Setback	Disable		Enable	Disable
29	Setback Setpoint	BST Setpt Lo Limit		BST Setpt HI Limit	130°F (54.4°C)
30	Setback Start	12:00am		11:59pm	12.00am
31	Setback End	12:00am		11:59pm	12.00am
32	Rate Threshold	1°F (0.55°C)		30°F (16.5°C)	15°F (8.25°C)
<b>33 *OPERATE MENU*</b>					
		Disabled		Enabled	Disabled
34	BST Next On VP	16%		100%	50%
35	BST Max Boilers	1		8	8
36	BST On Delay	30 sec		300 sec	60 sec
37	BST On Timeout	15 sec		300 sec	60 Sec
38	Valve Override	Off	Closed	Open	Off
39	Valve Off Delay	0		15 min	1 min
40	BST Sequencing	Run Hours	Unit Size	Select Lead	Run Hours
41	Select Lead Unit	0		127	0
42	Select Lag Unit	0		127	0
43	Lead/Lag Hours	25 hours		225 hours	72 hours
<b>44 *TEMP CTRL MENU*</b>					
		Disabled		Enabled	Disabled
45	BST Temp Hi Limit	40°F (4.4°C)		210°F (98.9°C)	210°F (98.9°C)
46	BST Setpt Lo Limit	40°F (4.4°C)		BST Setpt HI Limit	60°F (15.5°C)
47	BST Setpt HI Limit	BST Setpt Lo Limit		220°F (104.4°C)	195°F (90.6°C)
48	BST Prop Band	1°F (-17.2°C)		120°F (48.9°C)	100°F (37.8°C)
49	BST Intgral Gain	0.00		2.00	0.50
50	BST Deriv Time	0.00 Min		2.00 Min	0.10 Min

SECTION 2: OPERATION

**Table 2-9: BST Menu**

MENU ITEM DISPLAY		AVAILABLE CHOICES OR LIMITS		DEFAULT
		Minimum	Maximum	
51	BST Deadband Hi	0	25	1
52	BST Deadband Lo	0	25	1
53	Deadband En Time	0	120 Sec	30 Sec
54	BST FR Up Rate	1	120	20
55	BST Bldg Ref Tmp	40°F (4.4°C)	230°F (110°C)	70°F (21.1°C)
56	BST Reset Ratio	0.1	9.9	1.2
57	System Start Tmp	30°F (-1.1°C)	120°F (48.9°C)	60°F (15.6°C)
58	<b>*BST COMM MENU*</b>	Disabled	Enabled	Disabled
59	Comm Address	0	127	0
60	BST Min Addr	1	128	1
61	BST Max Addr	1	128	8
62	SSD Address	0	250	247
63	SSD Poll Control	0	1000	0
64	Err Threshold	1	9	5
65	SSD Temp Format	Degrees	Points	Degrees
66	BST Upld Timer	0	9999 sec	0

**\* NOTE:**

The **1 BST Units 8** menu item shows the current status for each unit controlled by BST, up to a maximum of 8 units. The possible characters displayed are:

- = Off Line
- \* = Not Available (fault, etc.)
- 0 = Off
- 1 = On,
- A = Lead On
- a = Lead Off
- B = Lag On
- b = Lag Off
- S = Setpoint Limit Active

The following example shows the status of 5 units being controlled by BST where:

- Unit 1 & 3 are **On**
- Unit 2 is **Off**
- Unit 4 is **Not Available**
- Unit 5 is **Lead On**
- Unit 6 is **Lag Off**

1 BST Units 8

1	0	1	*	A	b		
---	---	---	---	---	---	--	--

## 2.10 CALIBRATION MENU

The Calibration menu is used by factory trained service personnel to adjust or reset the parameters listed below.

A full description of each item appears in Appendix A-6.

**Table 2-10: Calibration Menu**

Menu Item Display		Available Choices or Limits		Default
		Minimum	Maximum	
1	Stepper Fbk	Cal 0%, Verify 50%, Cal 100%		Cal 0%
2	Purge Timer	5 sec.	60 sec	Depends on unit type/size
3	Post Purge Timer	0 sec.	60 sec.	0 sec.
4	IGN Position	5%	60%	Depends on unit type/size
5	Ign Pos Hold Tmr	0 sec.	60 sec.	0 sec.
6	FFWD Temp Dsply	Enabled or Disabled		Disabled
7	Outlet Tmp Dsply	Enabled or Disabled		Disabled
8	Inlet Tmp Dsply	Enabled or Disabled		Disabled
9	Valv Pos Out Dsp	Enabled or Disabled		Enabled
10	Exhaust Tmp Dsp	Enabled or Disabled		Disabled
11	Exhaust Safety	Enabled or Disabled		Enabled
12	Flue Material	PVC,CPVC; PolyPro; Stainless		PVC,CPVC
13	Exhst Fault Temp	100 °F	500 °F	200 °F
14	Exhst Module Temp	100 °F	500 °F	190 °F
15	Exhst Warn Temp	100 °F	500 °F	180 °F
16	Exhst Tmp VP Adj	0	10	5
17	Exhst Adj Rate	1	600	30
18	VP Change Rate	5	600	25
19	VP Up Rate	0.5	60.0	Depends on unit type/size
20	VP Down Rate	0.5	60.0	Depends on unit type/size
21	Purge Blwr Offst	-1.0	8.0	Depends on unit type/size
22	4-20mA Purge Pct	60%	100%	70%
23	PWM In Adj	-5.0%	5.0%	0.0%
24	Analog In Adj	-5.0%	5.0%	0.0%
25	Flow In Adj	-5.0%	5.0%	0.0%
26	Supply Gas Pressure In Adj	-5.0%	5.0%	0.0%
27	Gas Plate dp In Adj	-5.0%	5.0%	0.0%

SECTION 2: OPERATION

<b>Table 2-10: Calibration Menu</b>				
Menu Item Display		Available Choices or Limits		Default
		Minimum	Maximum	
28	mA Out Adj	-1.0 mA	1.0 mA	0.0 mA
29	A/F Sensitivity	1%	5%	2%
30	Power Reset	Automatic or Manual		Automatic
31	Water Temp Reset	Automatic or Manual		Automatic
32	Gas Press Reset	Automatic or Manual		Manual
33	Min Off Time	0 Min	15 Min	1 Min
34	Heatr Tuning Dsp	Enabled or Disabled		Disabled
35	Heatr Bkpt Dsp	Enabled or Disabled		Disabled
36	Stop Level	0%	Start Level	16
37	Start Level	Stop Level	40%	22
38	Skip Range Cntr	10	95	40
39	Skip Range Span	0	3	0%
40	Skip Speed	0.5	2.0	0.5%
41	O2 Gain	0.500	1.500	1.000
42	O2 Offset	-24.0	+2.0	1.0
43	O2 Sensor	Enabled or Disabled		Depends on unit type/size
44	Cal Temp Sensors	Off or Start		Off
45	FFWD Temp Offset	-20	+20	0
46	Exhst Tmp Offset	-20	+20	0
47	Outdr Air Offset	-20	+20	0
48	Inlet Air Offset	-20	+20	0
49	Inlet Wtr Offset	-20	+20	0
50	Outlet Wtr Offset	-20	+20	0
51	24 hr Max Cycles	0	9999	0
52	24 hr Max Ovrtemp	0	9999	0
53	0-10v Out Test	0.0	10.0	0.00
54	Spark Monitor	Enabled or Disabled		Depends on unit type/size
55	Min Spark Amps	0.0 Amps	2.5 Amps	0.10 Amps
56	Max Spark Amps	0.0 Amps	2.5 Amps	0.40 Amps

## SECTION 3: MODES OF OPERATION

### 3.1 INTRODUCTION

The boiler is capable of being operated in any one of six different modes. The following sections provide descriptions of each of these operating modes. Each boiler is shipped from the factory tested and configured for the ordered mode of operation. All temperature related parameters are at their factory default values, which work well in most applications. However, it may be necessary to change certain parameters to customize the unit to the system environment. After reading this section, parameters can be customized to suit the needs of the specific application. A complete listing and descriptions of the temperature related parameters are included in Appendix A, while factory defaults are listed in Sections 2.4 – 2.10, above.

### 3.2 INDOOR/OUTDOOR RESET MODE

This mode of operation is based on outside air temperatures. As the outside air temperature decreases, the supply header temperature will increase and vice versa. For this mode, it is necessary to install an outside air sensor as well as select a building reference temperature and a reset ratio.

#### 3.2.1 Reset Ratio

Reset ratio is an adjustable number from 0.1 to 9.9. Once adjusted, the supply header temperature will increase by that number for each degree that the outside air temperature decreases. For instance, if a reset ratio of 1.6 is used, for each degree that outside air temperature decreases the supply header temperature will increase by 1.6 degrees.

#### 3.2.2 Building Reference Temperature

This is a temperature from 40°F to 230°F (4.4°C to 110°C). Once selected, it is the temperature that the system references to begin increasing its temperature. For instance, if a reset ratio of 1.6 is used, and we select a building reference temperature of 70°F (21.1°C), then at an outside temperature of 69°F (20.6°C), the supply header temperature will increase by 1.6° to 71.6°F (0.9°C to 22°C).

#### 3.2.3 Outdoor Air Temperature Sensor Installation

The outdoor air temperature sensor must be mounted on the North side of the building in an area where the average outside air temperature is expected. The sensor must be shielded from the sun's direct rays, as well as direct impingement by the elements. If a cover or shield is used, it must allow free air circulation. The sensor may be mounted **up to 200 feet (61m)** from the unit. Sensor connections are made at the Input/Output (I/O) Box on the front of the boiler. Connections are made at the terminals labeled *OUTDOOR AIR IN* and *AIR SENSOR COM* inside the I/O Box. Use shielded 18 to 22 AWG wire for connections. A wiring diagram is provided on the cover of the I/O Box. Refer to Section 2.10: *AC Electrical Power Wiring* of the *Benchmark 750 – 3000 Installation and Startup Guide*, OMM-0121 (GF-205) for additional information on wiring.

### 3.2.4 Indoor/Outdoor Startup

Startup in the INDOOR/OUTDOOR RESET mode is accomplished as follows:

**NOTE:**

A design engineer typically provides design outdoor air temperature and supply header temperature data.

#### INDOOR / OUTDOOR SETUP Instructions

1. Refer to the Indoor/Outdoor reset ratio charts in Appendix E.
2. Choose the chart corresponding to the desired Building Reference Temperature.
3. Go down the left column of the chart to the coldest design outdoor air temperature expected in your area.
4. Once the design outdoor air temperature is chosen, go across the chart to the desired supply header temperature for the design temperature chosen in step 3.
5. Next, go up that column to the RESET RATIO row to find the corresponding reset ratio.
6. Access the *Configuration* menu and scroll through it until the display shows **BLDG REF TEMP** (Building Reference Temperature). If necessary, refer to Section 2.3: *C-More Controller Menus*, above, for detailed instructions on navigating the menus.
7. Press the **CHANGE** key. The display will begin to flash.
8. Use the ▲ and ▼ arrow keys to select the desired Building Reference Temperature.
9. Press **ENTER** to save any changes.
10. Next, scroll through the *Configuration* menu until the display shows **RESET RATIO**.
11. Press the **CHANGE** key. The display will begin to flash.
12. Use the ▲ and ▼ arrow keys to select the Reset Ratio determined in step 5.
13. Press **ENTER** to save the change.

### 3.3 CONSTANT SETPOINT MODE

The CONSTANT SETPOINT mode is used when a fixed header temperature is desired. Common uses of this mode of operation include water source heat pump loops, and indirect heat exchangers for potable hot water systems or processes.

No external sensors are required to operate in this mode. While it is necessary to set the desired setpoint temperature, it is not necessary to change any other temperature-related functions. The unit is factory preset with settings that work well in most applications. Prior to changing any temperature-related parameters, other than the setpoint, it is suggested that an AERCO representative be contacted. See Appendix A for descriptions of temperature-related functions, and Sections 2.4 – 2.10 for their range of values and factory defaults.



### 3.3.1 Setting the Setpoint

The setpoint temperature of the unit is adjustable from 40°F to 240°F (4.4°C to 115.6°C). To set the unit for operation in the CONSTANT SETPOINT mode, you must set menu items **Internal Setpt** and **Boiler Mode** in the *Configuration* menu as follows:

**Table 3-1: CONSTANT SETPOINT MODE SETTINGS**

MENU OPTION	SETTING
Internal Setpt	Select desired setpoint using ▲ and ▼ arrow keys (40°F to 240°F, 4.4°C to 115.6°C)
Boiler Mode	Constant Setpoint

See Section 2.3: *C-More Controller Menus* for detailed instructions on changing menu options.

### 3.4 REMOTE SETPOINT MODES

The unit's setpoint can be remotely controlled by an Energy Management System (EMS) or Building Automation System (BAS). The Remote Setpoint can be driven by a current or voltage signal within the following ranges:

- 4-20 mA/1-5 VDC
- 0-20 mA/0-5 VDC

The factory default setting for the REMOTE SETPOINT mode is 4 - 20 mA/1 - 5 VDC. With this setting, a 4 to 20 mA/1 to 5 VDC signal, sent by an EMS or BAS, is used to change the unit's setpoint. The 4 mA/1V signal is equal to a 40°F (4.4°C) setpoint while a 20 mA /5V signal is equal to a 240°F (115.6°C) setpoint. When a 0 to 20 mA/0 to 5 VDC signal is used, 0 mA is equal to a 40°F (4.4°C) setpoint.

In addition to the current and voltage signals described above, the REMOTE SETPOINT mode can also driven by a RS-485 Modbus Network signal from an EMS or BAS.

The REMOTE SETPOINT modes of operation can be used to drive single as well as multiple units.

**NOTE:**

If a voltage, rather than current signal is used to control the remote setpoint, a DIP switch adjustment must be made on the PMC Board located in the C-More Controller. Contact your local AERCO representative for details.

In order to enable the REMOTE SETPOINT mode, you must set menu items **Boiler Mode** and **Remote Signal** in the *Configuration* menu as follows:

**Table 3-2: REMOTE SETPOINT MODE SETTINGS**

MENU OPTION	SETTING
Boiler Mode	Remote Setpoint
Remote Signal	4-20mA/1-5V, 0-20mA/0-5V, or Network

Refer to section 2.3: *C-More Controller Menus* for detailed instructions on changing menu options.

If the Network setting is selected for RS-485 Modbus operation, a valid Comm Address must be entered in the *Setup* menu. Refer to Modbus Communication Manual GF-114 for additional information.

While it is possible to change the settings of temperature related functions, the unit is factory preset with settings that work well in most applications. It is suggested that an AERCO representative be contacted, prior to changing any temperature related function settings. See Appendix A for descriptions of temperature-related functions, and Sections 2.4 – 2.10 for their range of options and factory defaults.

### 3.4.1 Remote Setpoint Field Wiring

The only wiring connections necessary for the REMOTE SETPOINT mode are connection of the remote signal leads from the source to the unit's I/O Box. The I/O Box is located on the front panel of the boiler. For either a 4-20mA/0-5V or a 0-20mA/0-5V setting, the connections are made at the ANALOG IN terminals in the I/O Box. For a Network setting, the connections are made at the RS-485 COMM terminals in the I/O Box. The signal must be floating, (ungrounded) at the I/O Box and the wire used must be a two wire shielded pair from 18 to 22 AWG. Polarity must be observed. The source end of the shield must be connected at the source. When driving multiple units, each unit's wiring must conform to the above.

### 3.4.2 Remote Setpoint Startup

Since this mode of operation is factory preset and the setpoint is being externally controlled, no startup instructions are necessary. In this mode, the REMOTE LED will light when the external signal is present.

To operate the unit in the MANUAL mode, press the **AUTO/MAN** switch. The REMOTE LED will go off and the MANUAL LED will light.

To change back to the REMOTE SETPOINT mode, simply press the **AUTO/MAN** switch. The REMOTE LED will again light and the MANUAL LED will go off.

## 3.5 DIRECT DRIVE MODES

The unit's air/fuel valve position (% open) can be changed by a remote signal which is typically sent from an Energy Management System (EMS) or from a Building Automation System (BAS). The Direct Drive mode can be driven by a current or voltage signal within the following ranges:

- 4-20 mA/1-5 VDC
- 0-20 mA/0-5 VDC

The factory default setting for the DIRECT DRIVE mode is 4-20 mA/1-5 VDC. With this setting, a 4 to 20 mA signal, sent by an EMS or BAS is used to change the unit's valve position from 0% to 100%. A 4 mA/1V signal is equal to a 0% valve position, while a 20 mA /5V signal is equal to a 100% valve position. When a 0-20 mA/0-5 VDC signal is used, zero is equal to a 0% valve position.

In addition to the current and voltage signals described above, the DIRECT DRIVE mode can also driven by a RS-485 Modbus Network signal from an EMS or BAS.

When in a DIRECT DRIVE mode, the unit is a slave to the EMS or BAS and does not have a role in temperature control. DIRECT DRIVE can be used to drive single, or multiple units.

**NOTE:**

If a voltage, rather than current signal is used to control the remote setpoint, a DIP switch adjustment must be made on the CPU Board located in the C-More Controller. Contact your local AERCO representative for details.

To enable the DIRECT DRIVE mode, you must set menu items **Boiler Mode** and **Remote Signal** in the *Configuration* menu as follows:

**Table 3-3: DIRECT DRIVE MODE SETTINGS**

MENU OPTION	SETTING
Boiler Mode	Direct Drive
Remote Signal	4-20mA/1-5V, 0-20mA/0-5V, or Network

Refer to section 2.3: *C-More Controller Menus* for instructions on changing menu options.

If the Network setting is selected for RS-485 Modbus operation, a valid Comm Address must be entered in the *Setup* menu. Refer to Modbus Communication Manual GF-114 for additional information.

### 3.5.1 Direct Drive Field Wiring

The only wiring connections necessary for DIRECT DRIVE mode are connection of the remote signal leads from the source to the unit's I/O Box. For either a 4-20mA/0-5V or a 0-20mA/0-5V setting, the connections are made at the ANALOG IN terminals in the I/O Box. For a Network setting, the connections are made at the RS-485 COMM terminals in the I/O Box. The signal must be floating, (ungrounded) at the I/O Box and the wire used must be a two wire shielded pair from 18 to 22 AWG. Polarity must be observed. The source end of the shield must be connected at the source. When driving multiple units, each unit's wiring must conform to the above.

### 3.5.2 Direct Drive Startup

Since this mode of operation is factory preset and the valve position is being externally controlled, no startup instructions are necessary. In this mode, the REMOTE LED will light when the signal is present.

To operate the unit in MANUAL mode, press the **AUTO/MAN** switch. The REMOTE LED will go off and the MANUAL LED will light.

To change back to the Direct Drive mode, simply press the **AUTO/MAN** switch. The REMOTE LED will again light and the MANUAL LED will go off.

## 3.6 AERCO CONTROL SYSTEM (ACS)

### NOTE:

ACS is for installations with 9 or more boilers. It utilizes only RS-485 signaling to the boiler. Installations with 1 to 8 boilers can use Boiler Sequencing Technology (BST), as described in Section 6 of the *Benchmark 750 – 3000 Installation and Startup Guide*, OMM-0121 (GF-205).

The ACS mode of operation is used in conjunction with an AERCO Control System. The ACS mode is used when it is desired to operate multiple units in the most efficient manner possible. For this mode of operation, an ACS Header Sensor must be installed **between 2 and 10 feet (0.61 and 3m)** downstream of the **LAST** boiler in the boiler plant's supply water header. The ACS can control up to 40 boilers; Up to 32 via Modbus (RS-485) network communication. For ACS programming, operation, and Header Sensor installation details, see ACS Operations Guide, GF-131. For operation via an RS-485 Modbus network, refer to Modbus Communication Manual GF-114. To enable the ACS mode, you must set menu items **Boiler Mode** and **Remote Signal** in the *Configuration* menu as follows:

**Table 3-4: ACS MODE SETTINGS**

MENU OPTION	SETTING
Boiler Mode	Direct Drive
Remote Signal	Network (RS485)

Refer to section 2.3: *C-More Controller Menus* for instructions on changing menu options.

### 3.6.1 ACS External Field Wiring

Wiring connections for RS-485 Modbus control are made between the 485 A- and 485 B+ terminals on the ACS (boilers 9 through 40) and the RS-485 COMM terminals in the I/O Box on the front of the boilers.

Wire the units using shielded twisted pair wire between 18 and 22 AWG. Observe the proper polarity for the ACS RS-485 COMM wiring connections. Shields should be terminated only at the ACS and the boiler end must be left floating. Each unit's wiring must conform to the above.

### 3.6.2 ACS Setup and Startup

This mode of operation is factory preset and the ACS controls the firing rate (air/fuel valve % open position). There are no setup instructions for each individual unit.

To operate the unit in MANUAL mode, press the **AUTO/MAN** switch. The REMOTE LED will go off and the MANUAL LED will light

To change back to the ACS mode, simply press the **AUTO/MAN** switch. The REMOTE LED will again light and the MANUAL LED will go off.

## 3.7 COMBINATION CONTROL SYSTEM (CCS)

### NOTE:

Only ACS can be utilized for the Combination Control System.

A Combination Control System (CCS) is one that uses multiple boilers to cover both space-heating and domestic hot water needs. The theory behind this type of system is that the maximum space-heating load and the maximum domestic hot water load do not occur simultaneously. Therefore, boilers used for domestic hot water are capable of switching between constant setpoint and ACS control.

For a typical CCS, an adequate number of boilers are installed to cover the space-heating load on the design-day. However, one or more units are used for the domestic hot water load as well. These boilers are the combination units and are referred to as the combo boilers. The combo boilers heat water to a constant setpoint temperature. That water is then circulated through a heat exchanger in a domestic hot water storage tank.

Only the AERCO Control System (ACS) is necessary to configure this system if only a single valve is used to switch from space heating to domestic hot water. However, the ACS Relay Panel is required in combination with the ACS when there are up to two isolation valves, boiler interlocks, and/or a Domestic Hot Water (DHW) pump in a Combination heating plant where AERCO boilers are being used for both Building Heat and Domestic Hot Water heating.

The following two options are available for using a combination system; one that uses only the ACS, and one that requires the optional ACS Relay Box:

- **OPTION 1** - This option is selected when the ACS controls a boiler plant containing up to eight combination boilers that are Domestic Hot Water Priority (DHW PRIORITY) boilers, along with building heat (BLDG HEAT) boilers, and *one* hydronic isolation valve in the main header between the BLDG HEAT boilers and the DHW PRIORITY boilers.
- **OPTION 2** – When this option is selected, the ACS Relay Panel must be used in conjunction with the ACS. For this option, the ACS controls a boiler plant containing up to eight combination boilers that are divided up into Building Priority (BLDG PRIORITY) boilers and Domestic Hot Water Priority (DHW PRIORITY) boilers, along with building heat (BLDG HEAT) boilers, and using *two* hydronic isolation valves in the main header, one between the BLDG HEAT and BLDG PRIORITY boilers, and the other between the BLDG PRIORITY and the DHW PRIORITY boilers.

In Option 2, when the space-heating load is such that when all the space-heating boilers are at the 100% valve position, the ACS will then ask the ACS Relay Box for the domestic boilers to become space-heating boilers. Provided the domestic hot water load is satisfied, the combo (hot water) boilers will then become space-heating boilers. If the domestic hot water load is not satisfied, the combo boiler(s) remain on the domestic hot water load. If the combo boilers switch over to space heating, but there is a call for domestic hot water, the ACS Relay Box switches the combo units back to the domestic load. The ACS in combination with the ACS Relay Box will ask the BLDG PRIORITY boilers to help with domestic hot water heating if the DHW PRIORITY boilers are not able to satisfy the domestic hot water demand.

When the combo units are satisfying the domestic load, they are in the CONSTANT SETPOINT mode of operation. When the combo units switch over to space heating, their mode of operation changes to follow the ACS command. For more information concerning the operation of the ACS, consult the ACS Operations Guide, GF-131. For more information on the ACS Relay Box, see section 2.14 in the same manual.

### 3.7.1 Combination Control System Field Wiring

Wiring for this system is between the ACS, the ACS Relay Box, and the terminals in the I/O Box. Wire the units using a shielded twisted pair of 18 to 22 AWG wire. When wiring multiple units, each unit's wiring must conform to the above.

### 3.7.2 Combination Control System Setup and Startup

Setup for the COMBINATION mode requires entries to be made in the *Configuration* menu for boiler mode, remote signal type and setpoint (see Section 2.6: *Configuration Menu* for details). The setpoint is adjustable from 40°F to 190°F (4.4°C to 87.8°C).

To enable the COMBINATION mode, you must set menu items **Boiler Mode**, **Remote Signal** and **Internal Setpt** in the *Configuration* menu as follows:

**Table 3-5: COMBINATION MODE SETTINGS**

MENU OPTION	SETTING
Boiler Mode	Combination
Remote Signal	Network
Internal Setpt	40°F to 190°F (4.4°C to 87.8°C)

Refer to section 2.3: *C-More Controller Menus* for instructions on changing menu options.

While it is possible to change other temperature-related functions for COMBINATION mode, these functions are preset to their factory default values. These default settings work well in most applications. It is suggested that AERCO be contacted prior to changing settings other than the unit's setpoint. For a complete listing of temperature related function defaults, see Sections 2.4 – 2.10.

To set the unit to the MANUAL mode, press the **AUTO/MAN** switch. The MANUAL LED will light.

To set the unit back to the AUTO mode, press the **AUTO/MAN** switch. The MANUAL LED will go off and the REMOTE LED will light.

When the boiler is switched to ACS control, the ACS controls the valve position. There are no setup requirements to the boiler(s) in this mode.

# SECTION 4: MAINTENANCE

## 4.1 MAINTENANCE SCHEDULE

All Benchmark boilers require regular routine maintenance to keep up efficiency and reliability. For best operation and life of the unit, the following routine maintenance procedures should be performed in the time periods specified in Table 4-1. For a complete inspection check list see ASME CSD-1 chart. In order to perform the maintenance tasks specified in Table 4-1, the following maintenance kits are available through your local AERCO Sales Representative:

- **12 Month Maintenance Kit: P/N 58025-01**
- **24-Month Waterside/Fireside Inspection Kit:**
  - **BMK 750/1000: P/N 58025-08**
  - **BMK 1500/2000: P/N 58025-13**
  - **BMK 2500/3000: P/N 58025-10**

**NOTE:**  
The 24-Month Waterside/Fireside Inspection Kit also includes the items contained in the Annual Maintenance Kit (P/N **58025-01**). Therefore, only the 24-Month kit is required when performing the waterside/fireside inspections. Refer to Appendix L for recommended spare parts.

**WARNING!**  
Prior to servicing ensure that the following guidelines are strictly observed:

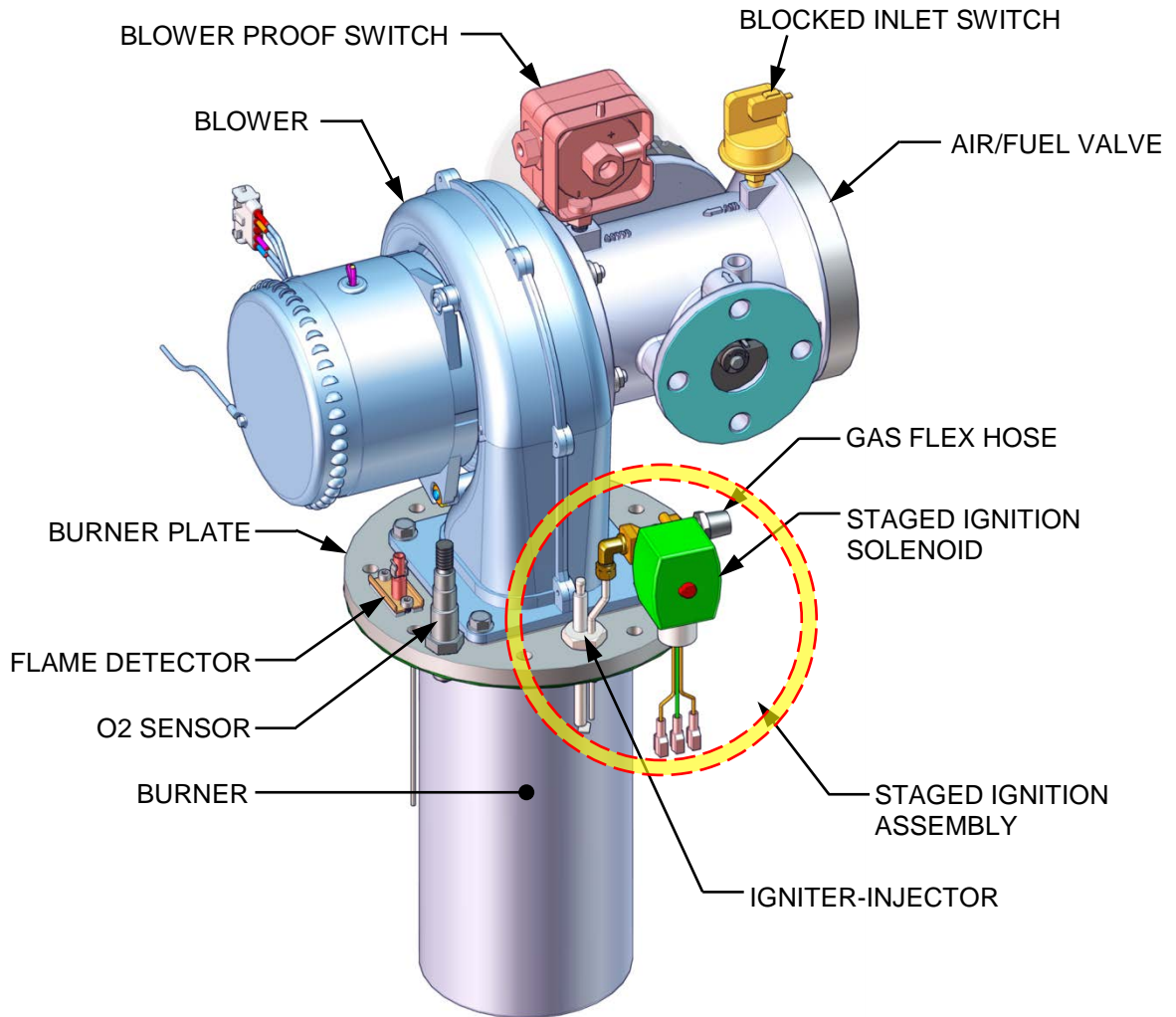
- Disconnect the AC power supply by turning off the service switch and ac supply circuit breaker.
- Shut off the gas supply at the manual shut-off valve provided with the unit
- Allow the unit to cool to a safe water temperature to prevent burning or scalding

Table 4-1: MAINTENANCE SCHEDULE					
SEC	ITEM	6 MOS.	12 MOS.	24 MOS.	LABOR TIME
4.2	Igniter-Injector Kit (P/N 58023)	*Inspect	Inspect, replace if necessary	Replace	15 mins.
4.3	Flame Detector Kit (P/N 24356-1)	*Inspect	Inspect, replace if necessary	Replace	15 mins.
4.4	Lean O <sub>2</sub> Sensor (P/N 61026)	*Inspect	Inspect		15 mins.
**	Combustion Calibration	*Check	Check		1 hr.
4.6	Testing of Safety Devices		See ASME CSD-1 Chart		45 mins.
4.7	Burner			Inspect	2 hrs.
4.8	Condensate Drain Trap	*Inspect	Inspect, Clean & Replace Gaskets	Inspect, Clean & Replace Gaskets	30 mins.
4.9	Air Filter		Clean	Replace	15 mins.

\* Only performed after initial 6 month period after initial startup.  
\*\* Combustion Calibration instructions are in Section 4.4 of OMM-0121 (GF-205)

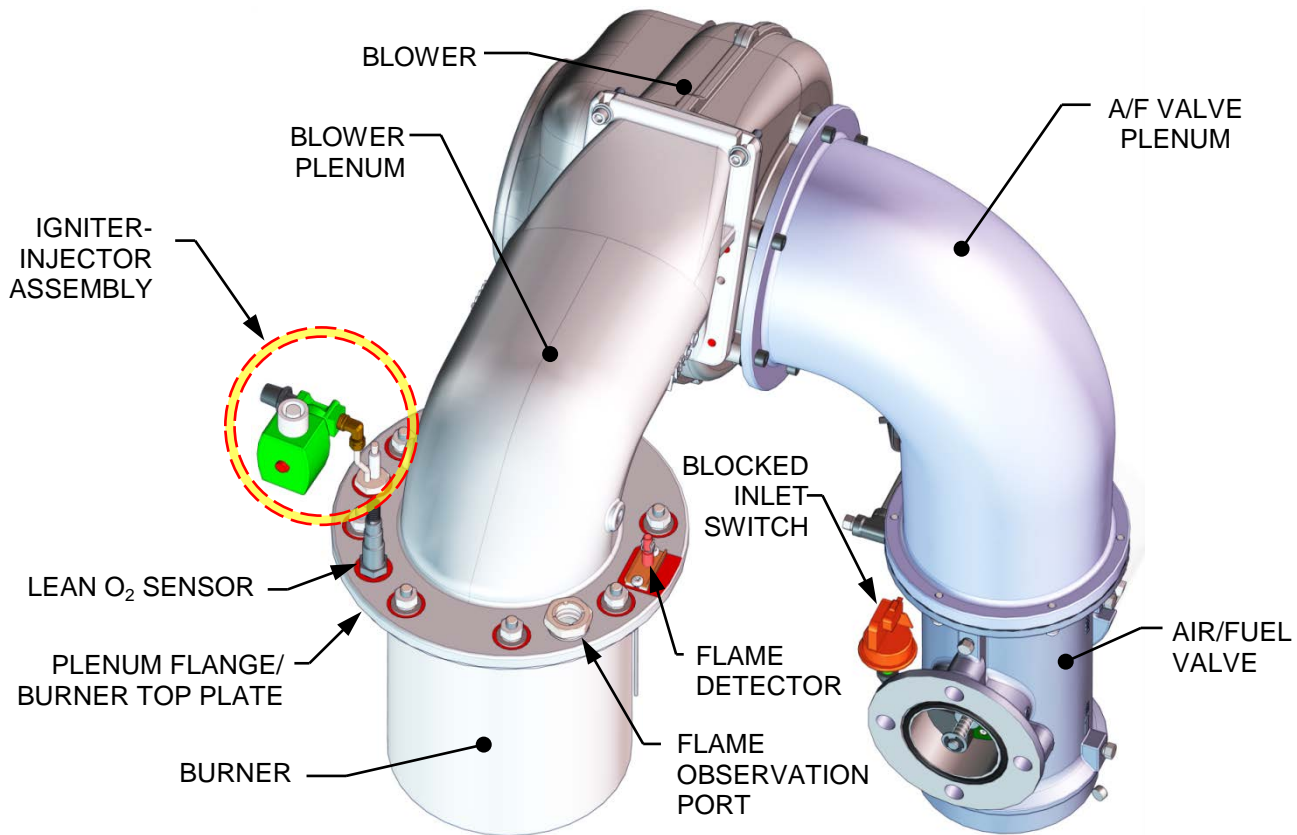
## 4.2 IGNITER-INJECTOR

The igniter-injector (Kit P/N **58023**) is located on the burner plate at the top of the boiler. In addition to providing the ignition spark required to light the burner, the igniter-injector also contains a gas injector tube which connects to the staged ignition assembly. Figure 4-1a through Figure 4-1c shows the complete burner assembly removed from the boiler and indicates the location of the igniter-injector flame detector and other related components.

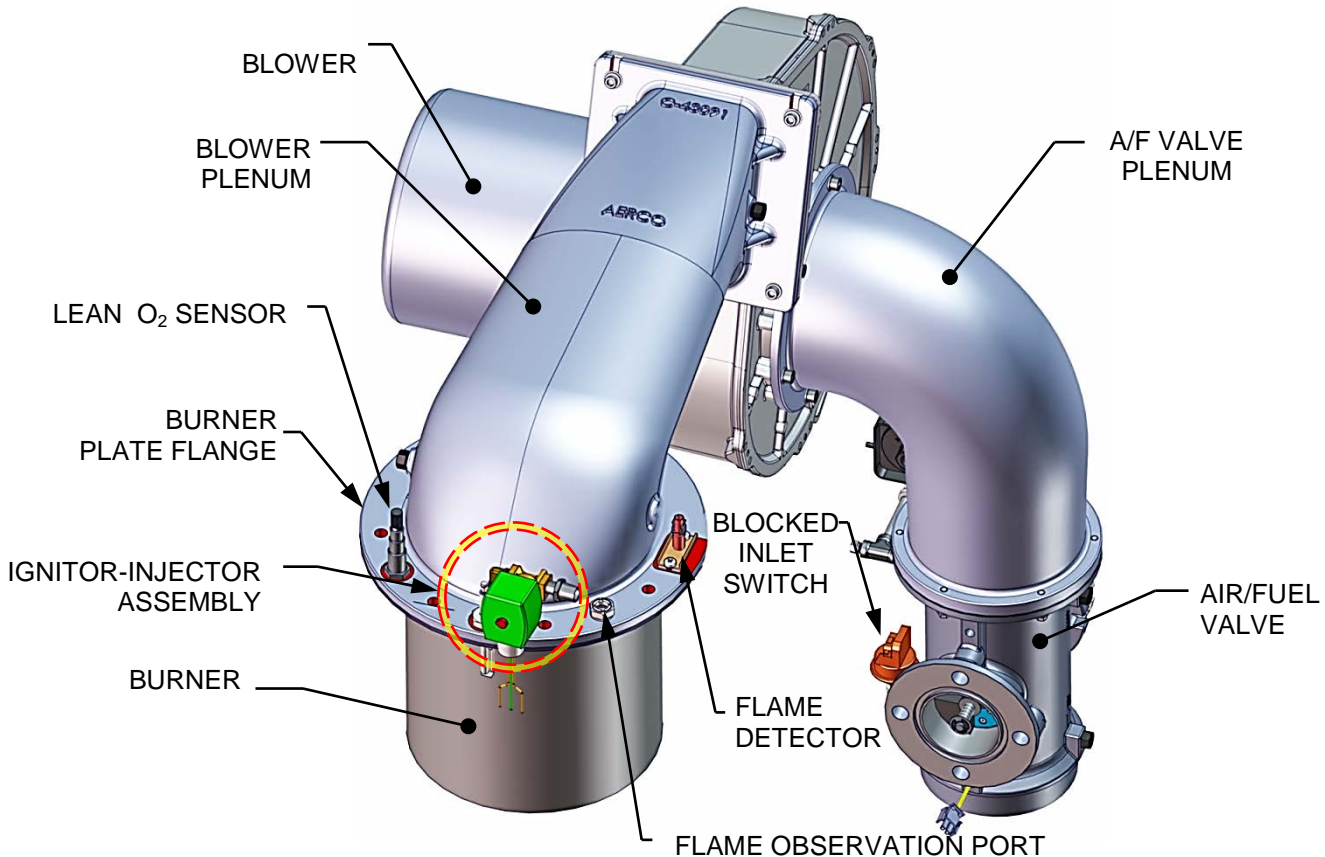


**Figure 4-1a: BMK 750/1000 Burner Assembly (Removed from Boiler)**





**Figure 4-1b: BMK 1500/2000 Burner Assembly (Removed from Boiler)**

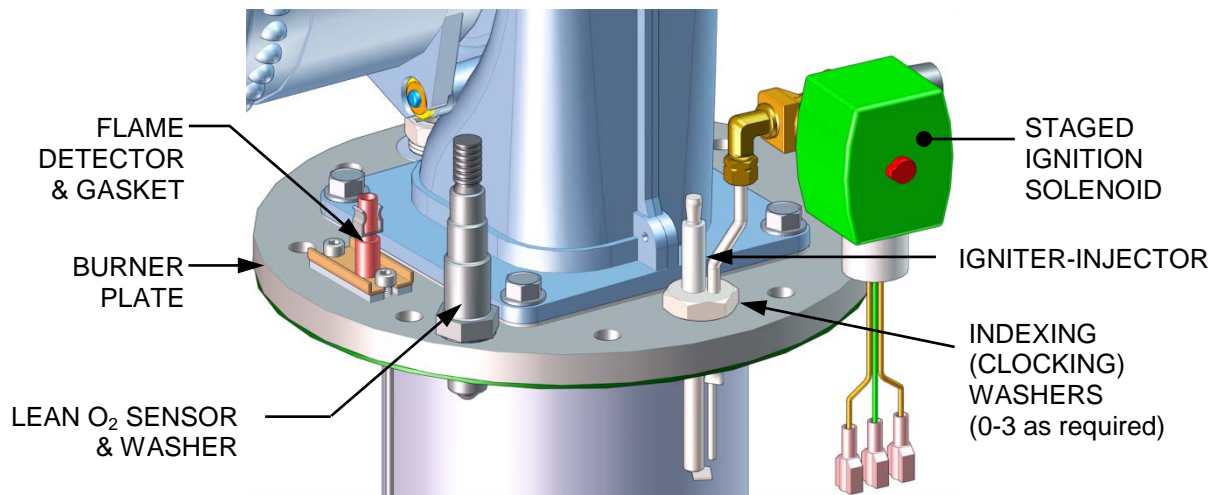


**Figure 4-1c: BMK 2500/3000 Burner Assembly (Removed from Boiler)**

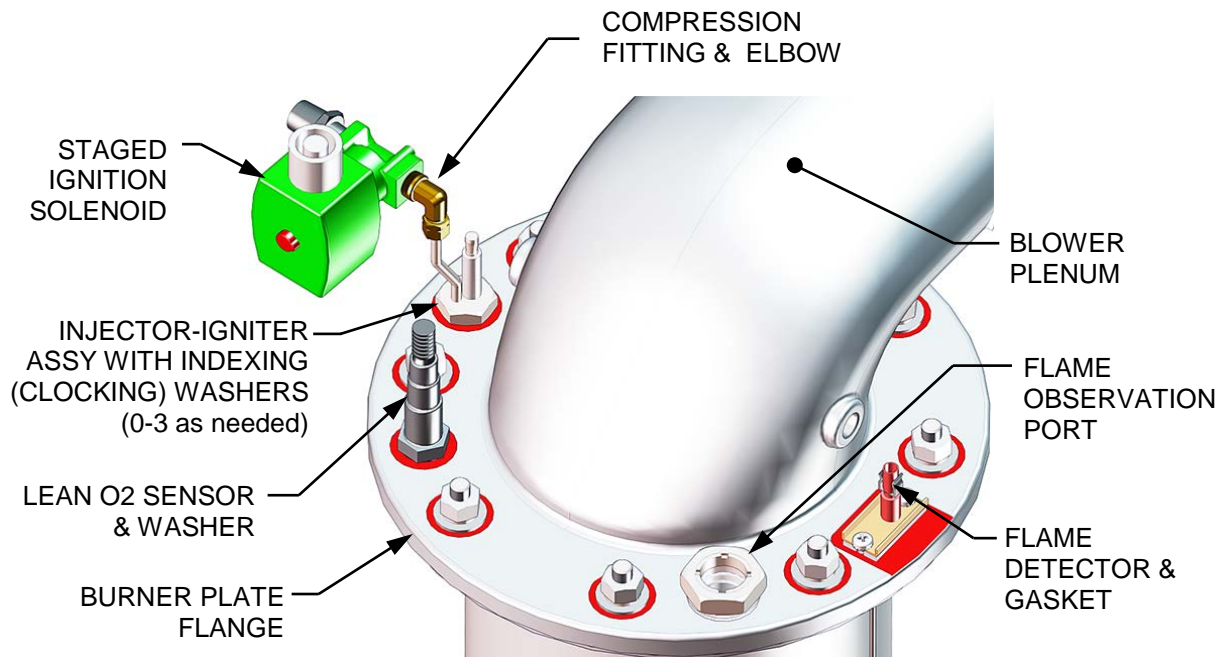
The igniter-injector may be hot, therefore, care should be exercised to avoid burns. It is easier to remove the igniter-injector from the unit after the unit has cooled to room temperature. To inspect/replace the Igniter:

**IGNITER-INJECTOR MAINTENANCE PROCEDURE Instructions**

1. Set the ON/OFF switch on the C-More Controller to the **OFF** position. Disconnect AC power from the unit
2. Remove the top shroud from the unit by grasping the top handle and lifting straight up. This will disengage the shroud from the four (4) pins in the side panels.
3. Disconnect the cable from the igniter-injector (see Figure 4-1a – Figure 4-1c, above).
4. Referring to Figure 4-2a – Figure 4.2c, below, use a 7/16” open-end wrench to disconnect the compression nut securing the gas injector tube of the igniter-injector to the elbow of the staged ignition assembly. Disconnect the staged ignition assembly from the igniter-injector.

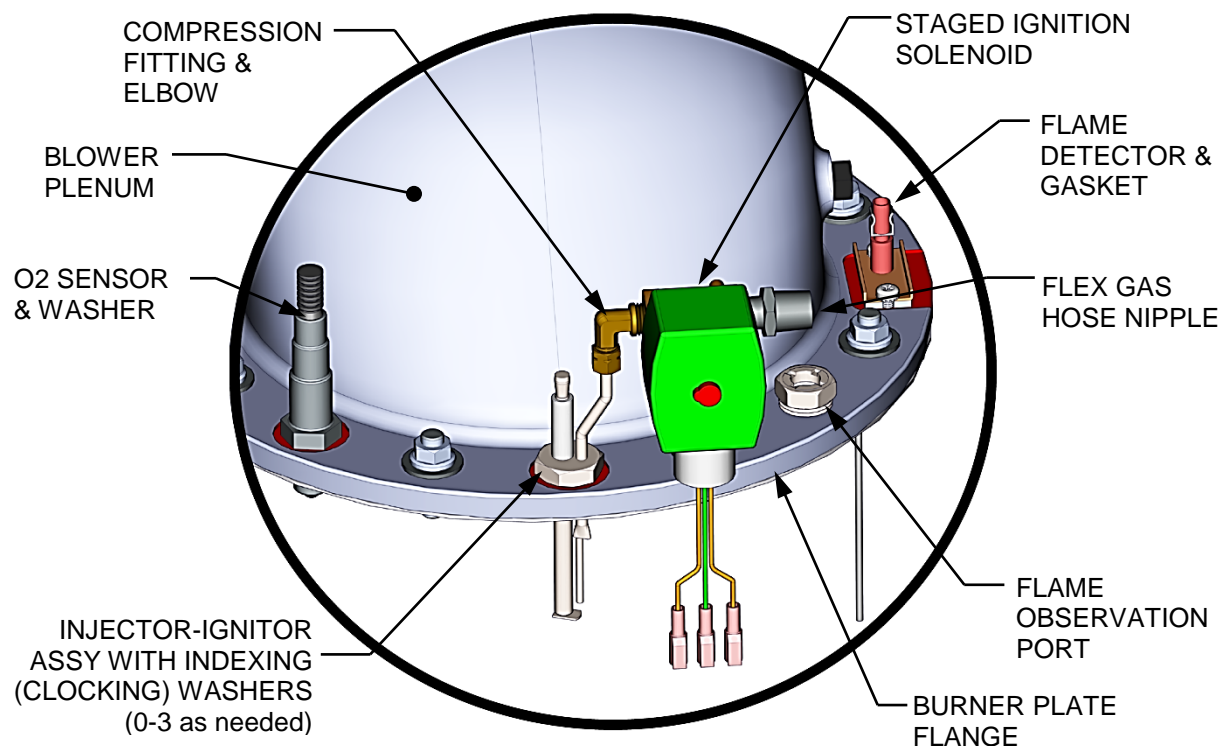


**Figure 4-2a: BMK 750/1000 Igniter-Injector & Flame Detector Mounting Details**



**Figure 4-2b: BMK 1500/2000 Igniter-Injector & Flame Detector Mounting Details**

## IGNITER-INJECTOR MAINTENANCE PROCEDURE Instructions



**Figure 4-2c: BMK 2500/3000 Igniter-Injector & Flame Detector Mounting Details**

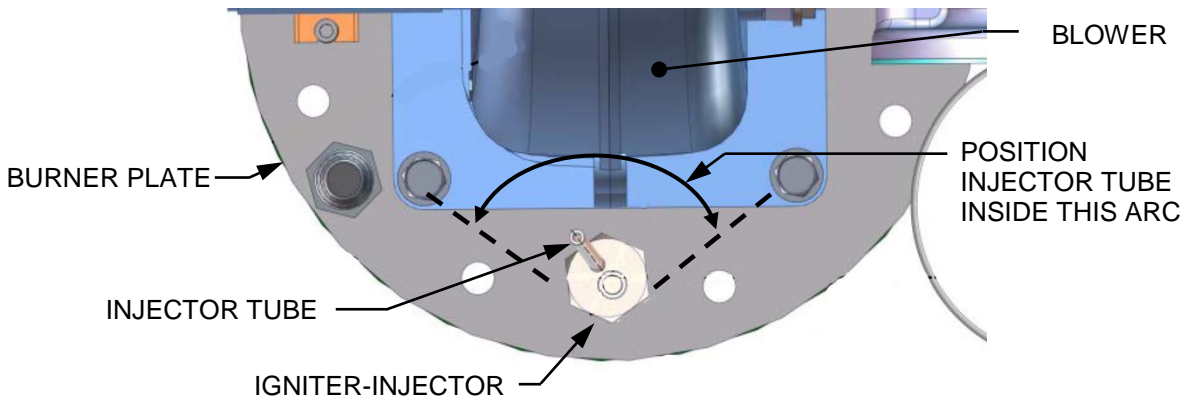
5. Next, loosen and remove the igniter-injector from the burner plate using a 1" open-end wrench.
6. Check the igniter-injector for evidence of erosion or carbon build-up. If there is evidence of substantial erosion or carbon build-up, the igniter-injector should be replaced. If carbon build-up is present, clean the component using fine emery cloth. Repeated carbon build-up is an indication that the combustion settings of the unit should be checked. To review combustion calibration procedures, refer to Section 4.4 of the *Benchmark 750 – 3000 Installation and Startup Guide*, OMM-0121 (GF-205).
7. Prior to reinstalling the igniter-injector, apply a high temperature, conductive, anti-seize compound to the threads.
8. Reinstall the igniter-injector in the burner plate using 1 to 3 indexing washers, as needed, so that when the igniter-injector is tightened, its injector tube will be positioned within the approximately 120° arc shown in Figure 4-3a through 4-3c, below. Note, the recommended injection tube positioning differs for the positioning recommended in the past.
9. Torque the igniter-injector to **170 - 180 in-lbs (19.2 – 20.3 Nm)**. **DO NOT over tighten.**

**NOTE:**

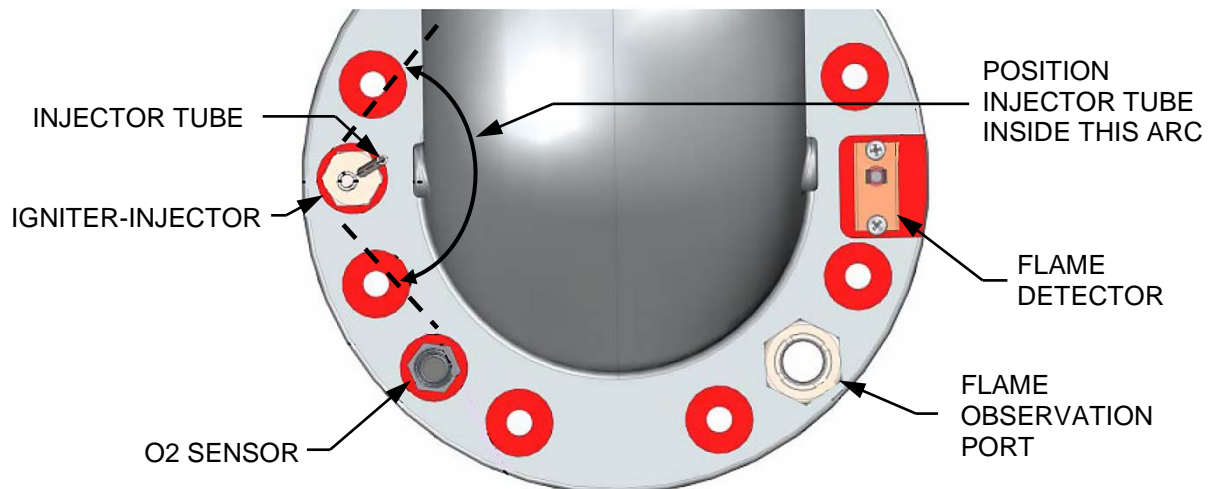
If a replacement igniter-injector (Kit P/N **58023**) is being installed, a compression nut containing a built-in ferrule and 3 indexing washers are included with the kit.

10. Connect the staged ignition assembly to the gas injector tube of the igniter-injector by securing the compression nut to the elbow of the staged ignition assembly.
11. Reconnect the igniter-injector cable.
12. Reinstall the shroud on the unit.

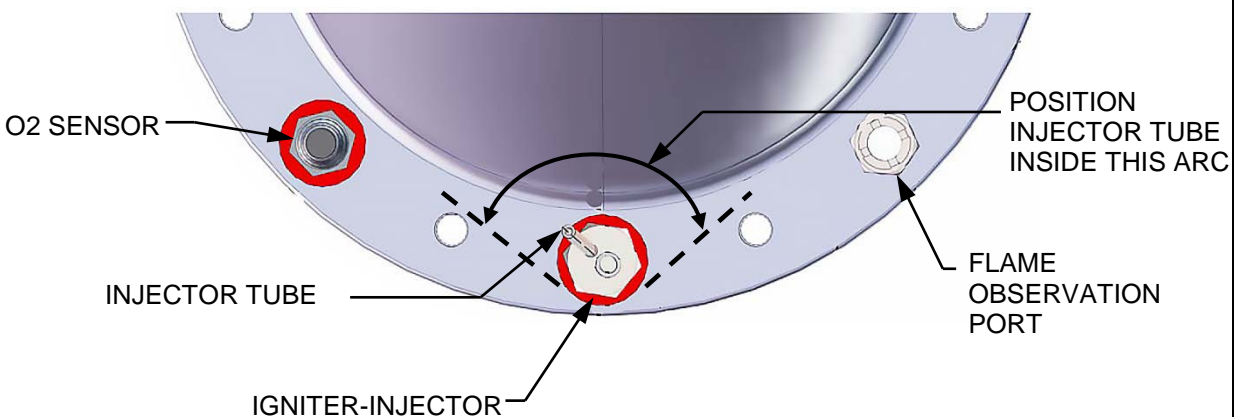
**IGNITER-INJECTOR MAINTENANCE PROCEDURE Instructions**



**Figure 4-3a: BMK 750/1000 Igniter-Injector Orientation**



**Figure 4-3b: BMK 1500/2000 Igniter-Injector Orientation**



**Figure 4-3c: BMK 2500/3000 Igniter-Injector Orientation**

## 4.3 FLAME DETECTOR

The flame detector (kit P/N **24356-1**) is located on the burner plate at the top of the unit (see Figures 5-1a through 5-1c and 5-2a through 5-2c). The flame detector may be hot. Allow the unit to cool sufficiently before removing the flame detector. Inspect or replace the flame detector as follows:

### FLAME DETECTOR MAINTENANCE Instructions

1. Set the C-More Controller ON/OFF switch to the **OFF** position. Disconnect AC power from the unit.
2. Remove the top shroud from the unit by grasping the top handle and lifting straight up. This will disengage the shroud from the four (4) pins in the side panels.
3. Disconnect the flame detector lead wire.
4. Remove the two (2) screws securing the flame detector to the plate (Figure 4-2a – 4-2c).
5. Remove the flame detector and gasket from the burner plate.
6. Thoroughly inspect the flame detector. If eroded, the detector should be replaced. Otherwise clean the detector with a fine emery cloth.
7. Reinstall the flame detector and flame detector gasket.
8. Reconnect the flame detector lead wire.
9. Reinstall the shroud on the unit.

## 4.4 O<sub>2</sub> SENSOR

The Lean Oxygen Sensor (P/N **61026**) is located on the burner plate at the top of the unit (see Figures 5-1a through 5-1c and 5-2a through 5-2c). The sensor may be hot. Allow the unit to cool sufficiently before removing or replacing the O<sub>2</sub> sensor.

### O<sub>2</sub> SENSOR MAINTENANCE Instructions

1. Set the ON/OFF switch on the C-More Controller, to the OFF position. Disconnect AC power from the unit.
2. Remove the top shroud from the unit by grasping the top handle and lifting straight up. This will disengage the shroud from the four (4) pins in the side panels.
3. Disconnect the O<sub>2</sub> sensor lead wire by pushing in on the release tab and pulling apart the connector.
4. Next, loosen and remove the O<sub>2</sub> sensor and crush washer from the burner plate using a 15/16" open-end wrench.
5. Thoroughly inspect the O<sub>2</sub> sensor. If eroded, the sensor should be replaced. Otherwise clean the sensor with a fine emery cloth.
6. Reinstall the O<sub>2</sub> sensor and crush washer on the burner plate.
7. Reconnect the sensor lead wire.
8. Reinstall the shroud on the unit.

## 4.5 SAFETY DEVICE TESTING

Systematic and thorough tests of the operating and safety devices should be performed to ensure that they are operating as designed. Certain code requirements, such as ASME CSD-1, require that these tests be performed on a scheduled basis. Test schedules must conform to local jurisdictions. The results of the tests should be recorded in a log book.

See The *Benchmark 750 – 3000 Installation and Startup Guide*, OMM-0121 (GF-205) for a description and instructions for performing these tests.

## 4.6 BURNER INSPECTION

The burner assembly is located at the top of the unit's heat exchanger. The burner assembly may be hot. Therefore, allow the unit to cool sufficiently before removing the burner assembly.

The following parts will be required for reassembly after burner inspection:

### BMK 750/1000 Burner Inspection Parts

Part No.	Description
81143	Burner Gasket
81048	Flame Detector Gasket
81064	Blower Gasket

### BMK 1500/2000 Burner Inspection Parts

Part No.	Description
81166	Burner Gasket (1 each)
88183	Burner Release Gasket (1 each)
81186	Burner Lower Release Gasket (1 each)
81048	Flame Detector Gasket (1 each)

### BMK 2500/3000 Burner Inspection Parts

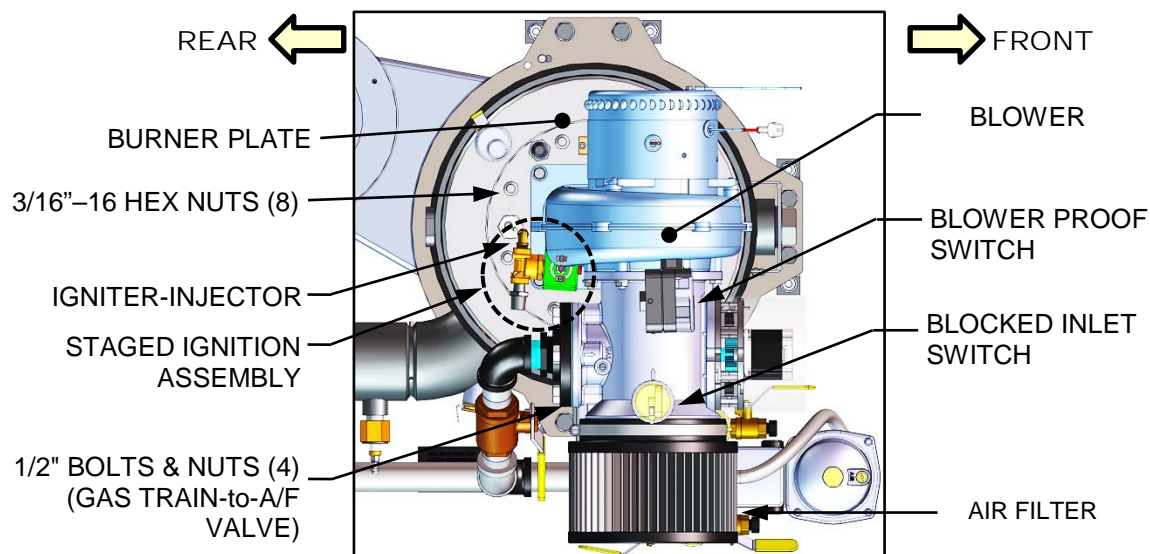
Part No.	Description
88173	Burner Upper Release Gasket
81180	Burner Gasket (Middle)
81185	Burner Lower Release Gasket
81048	Flame Detector Gasket (1 each)

#### NOTE:

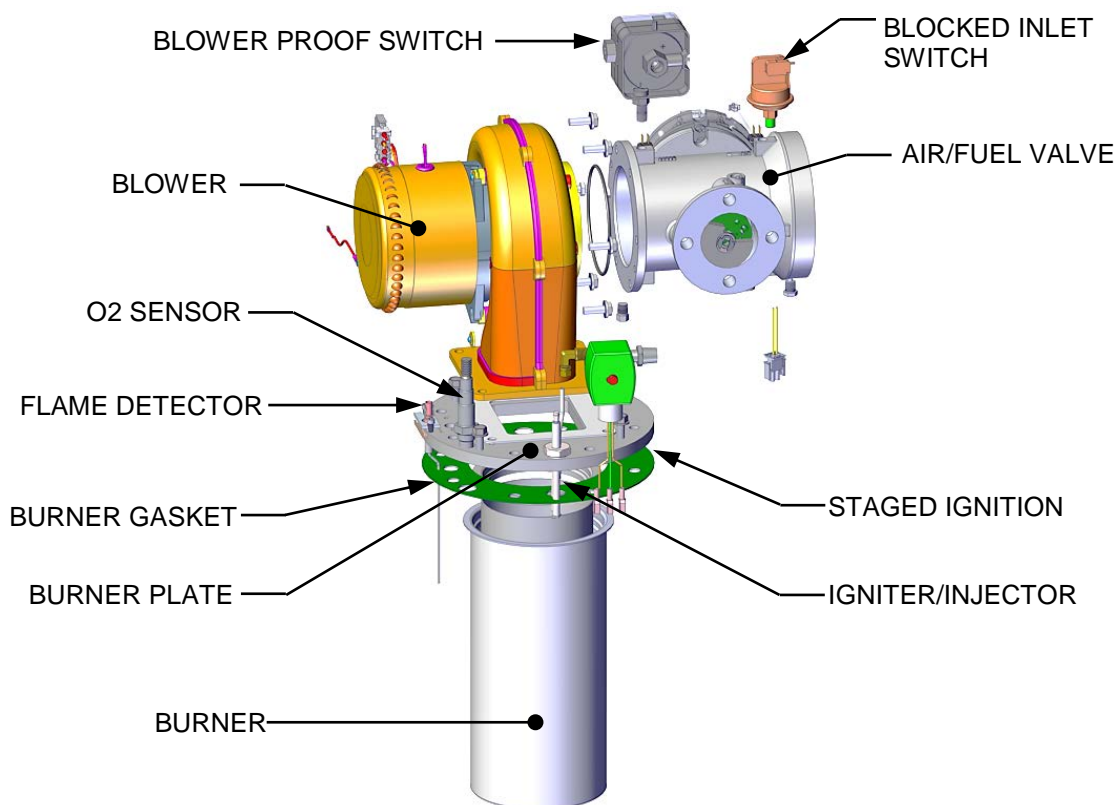
Illustrations for the burner inspection procedure for all BMK models are presented first, starting on the next page, followed by the written instructions.

### 4.6.1 BMK 750/1000 BURNER INSPECTION

#### BMK 750/1000 BURNER INSPECTION Instructions



**Figure 4-4a: BMK 750/1000 Burner Assembly Mounting Details (Overhead View)**



**Figure 4-4b: BMK 750/1000 Burner Assembly (Exploded View)**

1. Set the ON/OFF switch on the C-More Controller, to the OFF position. Disconnect AC power from the unit and turn off the gas supply.
2. Remove the top shroud from the unit by grasping the top handle and lifting straight up. This will disengage the shroud from the four (4) pins in the side panels.

**BMK 750/1000 BURNER INSPECTION Instructions**

3. Disconnect the lead wire from the flame detector installed on the burner plate. See Figure 4-4b.
4. Remove the two (2) screws securing the flame detector to the plate. The flame detector is secured to the burner plate with one (1) #10-32 screw and one (1) #8-32 screw.
5. Remove the flame detector and gasket from the burner plate.
6. Disconnect the cable from the igniter-injector.
7. Using a 7/16" open-end wrench, disconnect the compression nut securing the gas injector tube of the igniter-injector to the elbow of the staged ignition assembly (see Figure 4-1a). Disconnect the staged ignition assembly from the igniter-injector.
8. Next, loosen and remove the igniter-injector from the burner plate using a 1" open-end wrench.
9. Disconnect the unit wiring harness connectors from the air/fuel valve and blower motor.
10. Disconnect the wire leads connected to the Blower Proof switch and Blocked Inlet switch (Figure 4-4a and Figure 4-4b).
11. Disconnect the gas train from the air/fuel valve by removing the four (4) 1/2" bolts and nuts (Figure 4-4a).
12. Disconnect the flex hose from the air/fuel valve by loosening the hose clamp.
13. Remove the four 5/16-18 hex head screws securing the blower to the burner plate (Figure 4-4b).
14. Remove the blower and air/fuel valve from the burner plate by lifting straight up. Also, remove the blower gasket.
15. Remove the eight (8) 3/8-16 nuts from the burner flange (Figure 4-4a) using a 9/16" wrench.

**NOTE:**

The burner assembly weighs approximately 25 pounds (11.3 kg).

16. Remove the burner assembly from burner flange by pulling straight up.
17. Remove and replace the burner gasket.

**NOTE:**

During reassembly, apply a light coating of high-temperature, anti-seize lubricant to the threads of the igniter-injector and grounding screw. Also, ensure that the igniter-injector is properly positioned as indicated in Figure 4-3a. Torque the igniter-injector to **14 - 15 ft-lbs. (19.0 - 20.3 Nm)**.

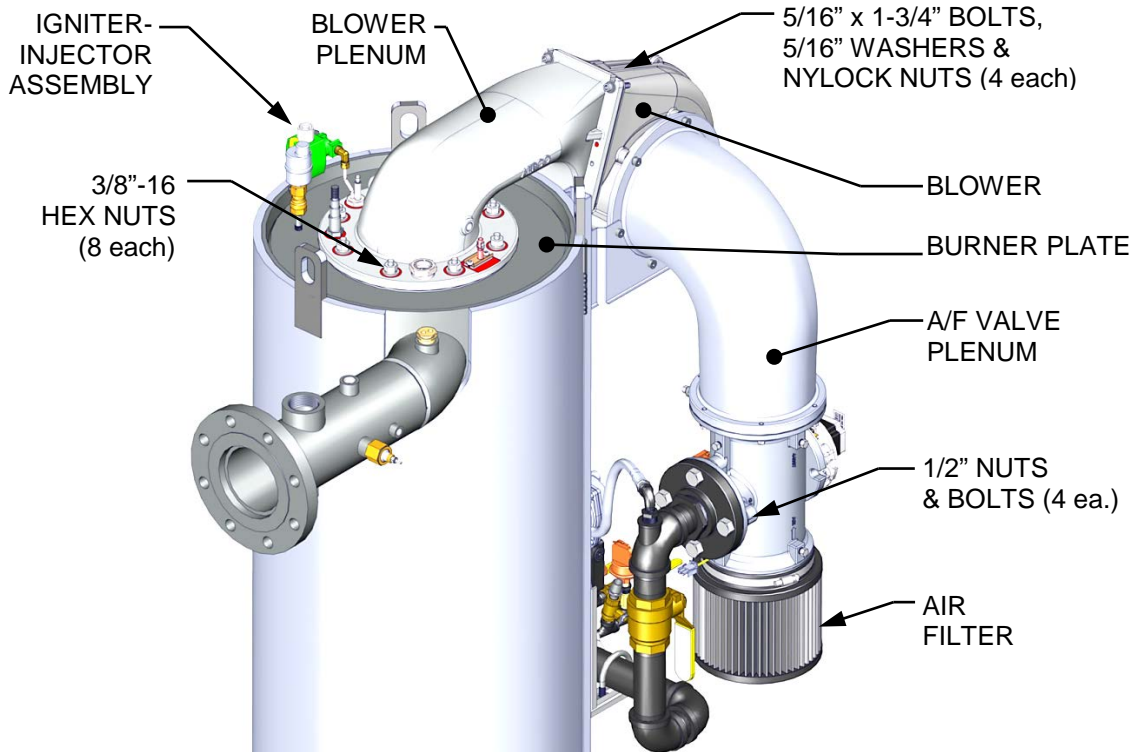
18. Beginning with the burner assembly removed in step 16, reinstall all the components in the reverse order that they were removed. When reinstalling the burner flange (removed in step 15), tighten the 3/8-16 nuts using a typical torque pattern. For example, loosely tighten one nut, then loosely tighten a second nut on the opposite side, a third at 90 degrees to the first two, and a fourth opposite the third, and then repeat this pattern with the remaining four nuts. Repeat the entire pattern a second time to partially tighten all eight nuts, and then repeat a third time until all eight nuts are fully torqued to 30 ft. lbs. (40.7 Nm).
19. Ensure that the igniter-injector and flame detector cutouts in the burner plate are properly aligned with the heat exchanger top flange.

**This completes the Benchmark 750/1000 burner inspection.**

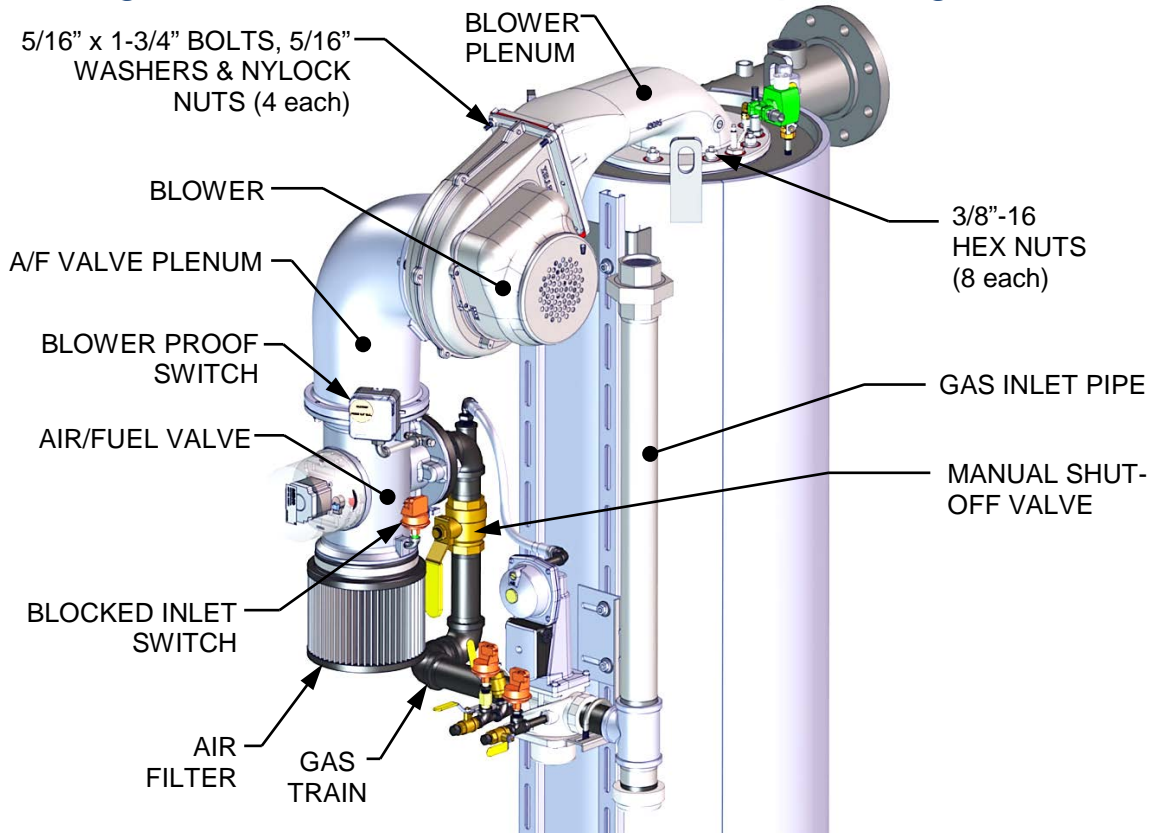


### 4.6.2 BMK 1500 – 3000 BURNER INSPECTION

#### BMK 1500-3000 BURNER INSPECTION Instructions

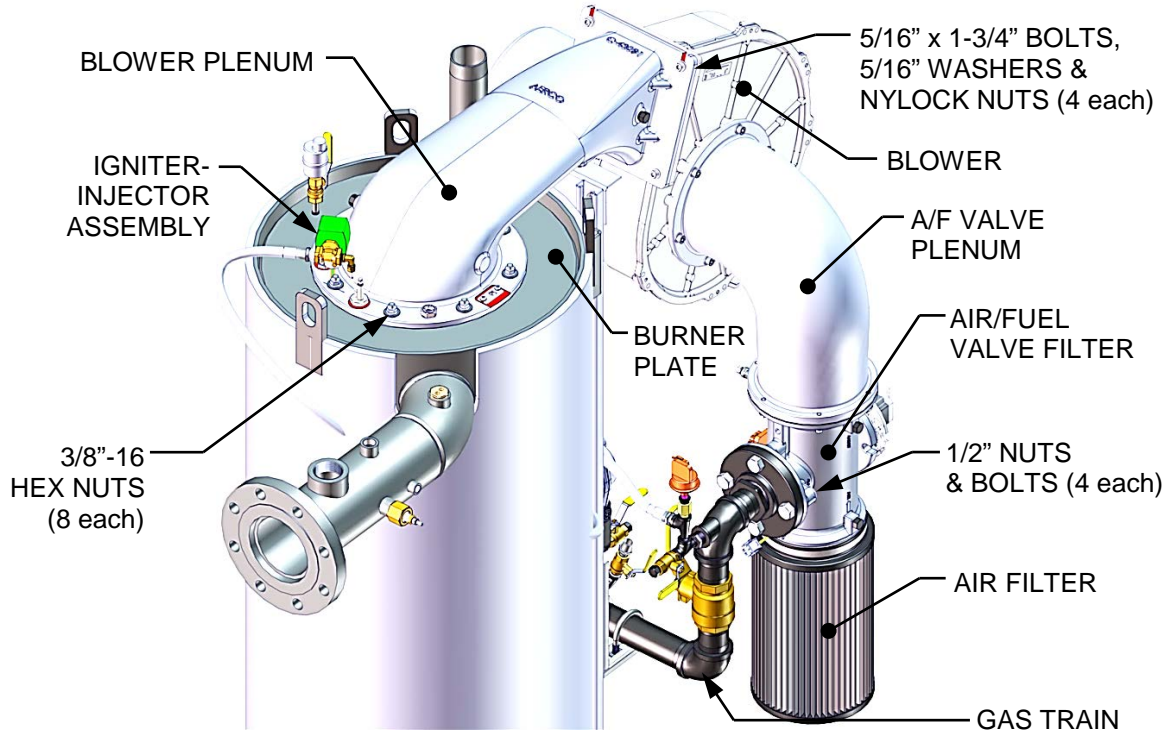


**Figure 4-5a: BMK 1500/2000 Burner Assembly Mounting Details**

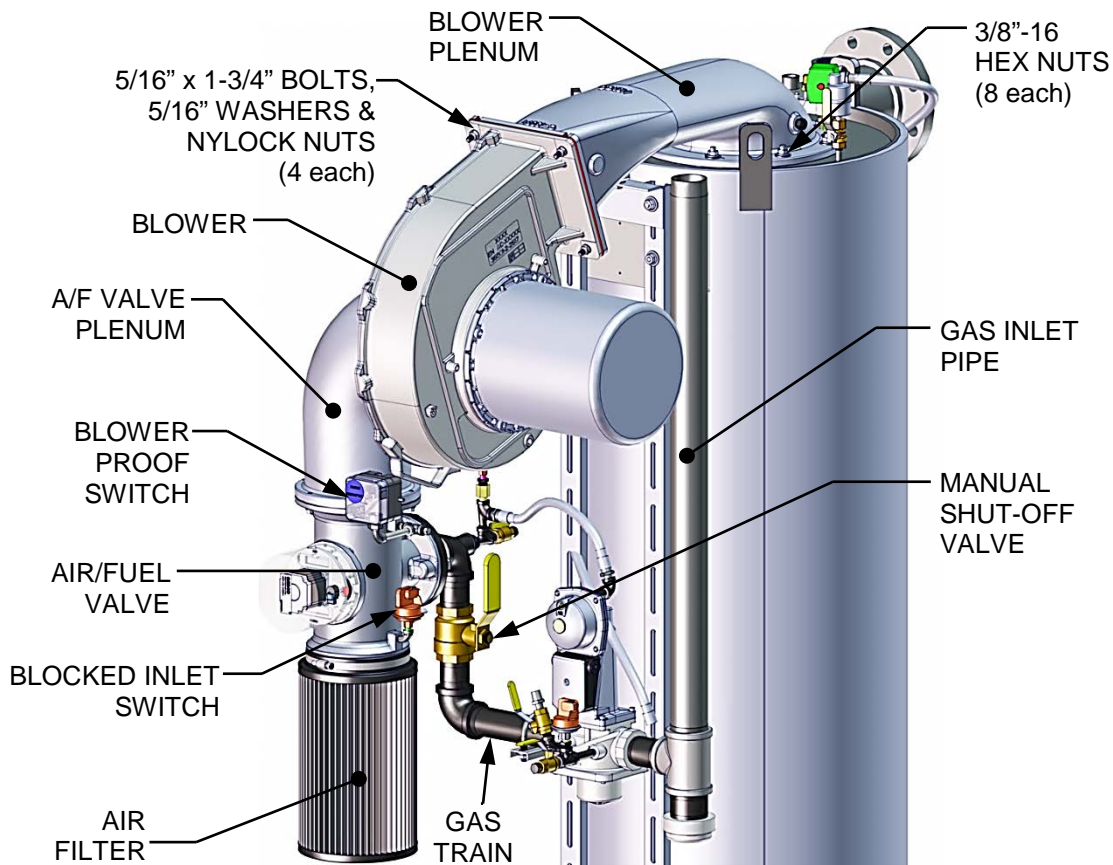


**Figure 4-5b: BMK 1500/2000 Burner Assembly Mounting Details**

**BMK 1500-3000 BURNER INSPECTION Instructions**



**Figure 4-5c: BMK 2500/3000 Burner Assembly Mounting Details**



**Figure 4-5d: BMK 2500/3000 Burner Assembly Mounting Details**

**BMK 1500-3000 BURNER INSPECTION Instructions**

1. Set the ON/OFF switch on the C-More Controller to the OFF position. Disconnect AC power from the unit and turn off the gas supply.
2. Remove the top shroud from the unit by grasping the top handle and lifting straight up. This will disengage the shroud from the four (4) pins in the side panels.
3. Disconnect the lead wire from the flame detector installed on the burner plate. See Figure 4-2b (BMK 1500/2000) or Figure 4-2c (BMK 2500/3000).
4. Remove the two (2) screws securing the flame detector to the plate. The flame detector is secured to the burner plate with one (1) #10-32 screw and one (1) #8-32 screw.
5. Remove the flame detector and gasket from the burner plate.
6. Disconnect the cable from the igniter-injector.
7. Using a 7/16" open-end wrench, disconnect the compression nut securing the gas injector tube of the igniter-injector to the elbow of the staged ignition assembly (see Figure 4-2b (BMK 1500/2000) or Figure 4-2c (BMK 2500/3000). Disconnect the staged ignition assembly from the igniter-injector.
8. Next, loosen and remove the igniter-injector from the burner plate using a 1" open-end wrench.
9. Loosen and remove the four 5/16 x 1-3/4" bolts, washers, and nuts from the blower plenum where it attaches to the blower. See Figures 5-5a & 5-5b (BMK 1500/2000) or Figures 5-5c & 5-5d (BMK 2500/3000).
10. You must either rig a support for the blower to hold it in place or remove the blower from the unit and set it aside for later reassembly.
11. Remove the eight (8) 3/8-16 nuts, using a 9/16" wrench, attaching the blower plenum to the burner. See Figures 5-5a & 5-5b (BMK 1500/2000) or Figures 5-5c & 5-5d (BMK 2500/3000).
12. Remove the blower plenum from between the blower and the burner and set it aside for later reassembly. The O<sub>2</sub> sensor and flame observation port remain assembled to the plenum flange.
13. Remove the burner by pulling straight up.

**NOTE:**

The burner assembly weighs approximately 65 lbs. (29.5 kg).

14. Remove and replace the burner gasket(s) (see Figure 4-6, below).

**IMPORTANT!**

ALL THREE gaskets provided for maintenance MUST be installed during this procedure, as shown in Figure 4-6, even if there is only one existing gasket being replaced. Note that the LOWER RELEASE GASKET has tabs, which the others do not.

**NOTE:**

During reassembly, apply a light coating of high-temperature, anti-seize lubricant to the threads of the igniter-injector and grounding screw. Also, ensure that the igniter-injector is properly positioned as indicated in Figure 4-3b or Figure 4-3c. Torque the igniter-injector to **14 - 15 ft-lbs. (19.0 - 20.3 Nm)**.

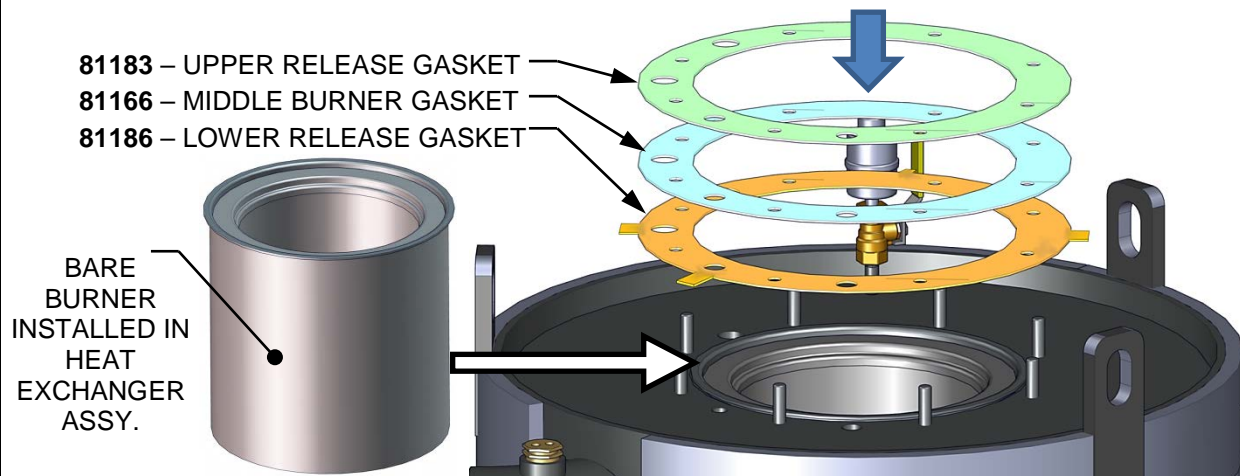
(Continued)

**BMK 1500-3000 BURNER INSPECTION Instructions**
**NOTE:**

The LOWER RELEASE GASKET (P/N 81186) features four tabs around its periphery.

**IMPORTANT!**

Use ALL THREE gaskets provided, even if there is only one existing gasket being replaced.



**Figure 4-6: Bare Burner and Replacement Gaskets Location**

15. Beginning with the burner assembly, reinstall all the components in the reverse order that they were removed. When reinstalling the blower plenum (removed in step 11), tighten the 3/8-16 nuts using a typical torque pattern (for example, loosely tighten one nut, then loosely tighten a second nut on the opposite side, a third at 90 degrees to the first two, and a fourth opposite the third, and then repeat this pattern with the remaining four nuts. Repeat the entire pattern a second time to partially tighten all eight nuts, and then repeat a third time until all eight nuts are fully torqued to 35 ft. lbs. (47.5 Nm).
16. Ensure that the igniter-injector and flame detector cutouts in the burner plate are properly aligned with the heat exchanger top flange.

**This completes the Benchmark 1500/3000 burner inspection.**

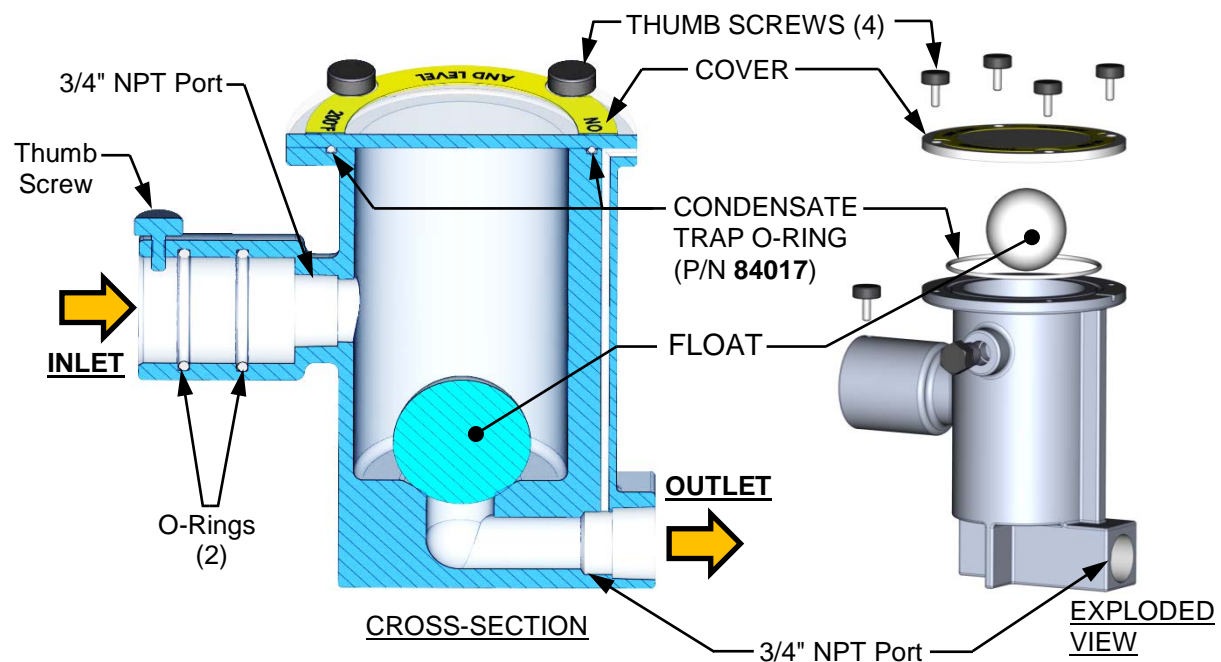
## 4.7 CONDENSATE DRAIN TRAP

Benchmark boilers contain a condensate trap (P/N **24441**), located external to the unit and attached to the drain connection from the exhaust manifold at the rear of the unit (shown in Figure 2-6a and 2-6b of the *Benchmark 750 – 3000 Installation and Startup Guide*, OMM-0121 (GF-205)). This trap should be inspected and cleaned in accordance with the maintenance schedule shown in Table 4-1, above, to ensure proper operation.

To inspect and clean the trap, proceed as follows:

### CONDENSATE DRAIN TRAP MAINTENANCE Instructions

1. Disconnect the external condensate trap by loosening and then removing connections on the inlet and outlet sides of the condensate trap (see Figure 4-7).
2. Loosen the four (4) thumbscrews securing the trap's cover and then remove the cover and the O-ring from under the cover.
3. Remove the float and then thoroughly clean the trap and float. Also inspect the drain piping for blockage. If the trap cannot be thoroughly cleaned, replace the entire trap (P/N **24441**).
4. Replace the float, install the O-ring (P/N **84017**), and then replace the trap cover.
5. Reassemble all piping and hose connections to the condensate trap inlet and outlet.



**Figure 4-7: External Condensate Trap – Cross-Section & Exploded View**

## 4.8 AIR FILTER CLEANING and REPLACEMENT

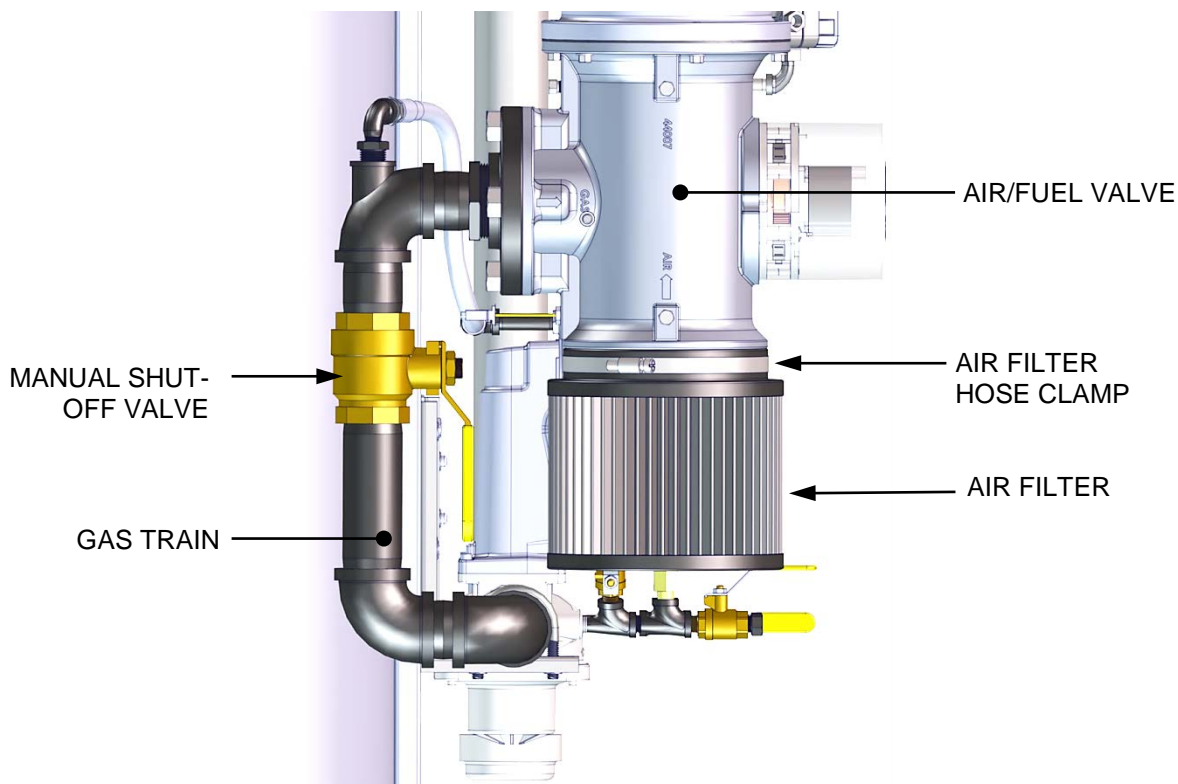
The Benchmark boiler is equipped with an air filter which should be cleaned and re-oiled every 12 months and replaced every 24 months. The air filter is located at the air fuel valve inlet, as shown in Figure 4-8.

Table 4-2: AVAILABLE AIR FILTERS	
Benchmark Model	Part Number
750, 1000	59139
1500, 2000	59138
2500, 3000	88014

To inspect/replace the air filter, proceed as follows:

### AIR FILTER CLEANING and REPLACEMENT Instructions

1. Set the ON/OFF switch on the C-More Controller, to the OFF position. Disconnect AC power from the unit.
2. Remove the top shroud from the unit by grasping the top handle and lifting straight up. This will disengage the shroud from the four (4) pins in the side panels.
3. Refer to Figure 4-8 and locate the air filter attached to the air/fuel valve inlet.



**Figure 4-8: Air Filter Location (BMK 1500/2000 Shown)**

4. Using a flat-tip screwdriver or 5/16" nut driver, loosen the clamp securing the filter to the inlet flange of the air/fuel valve. Remove the filter and clamp.

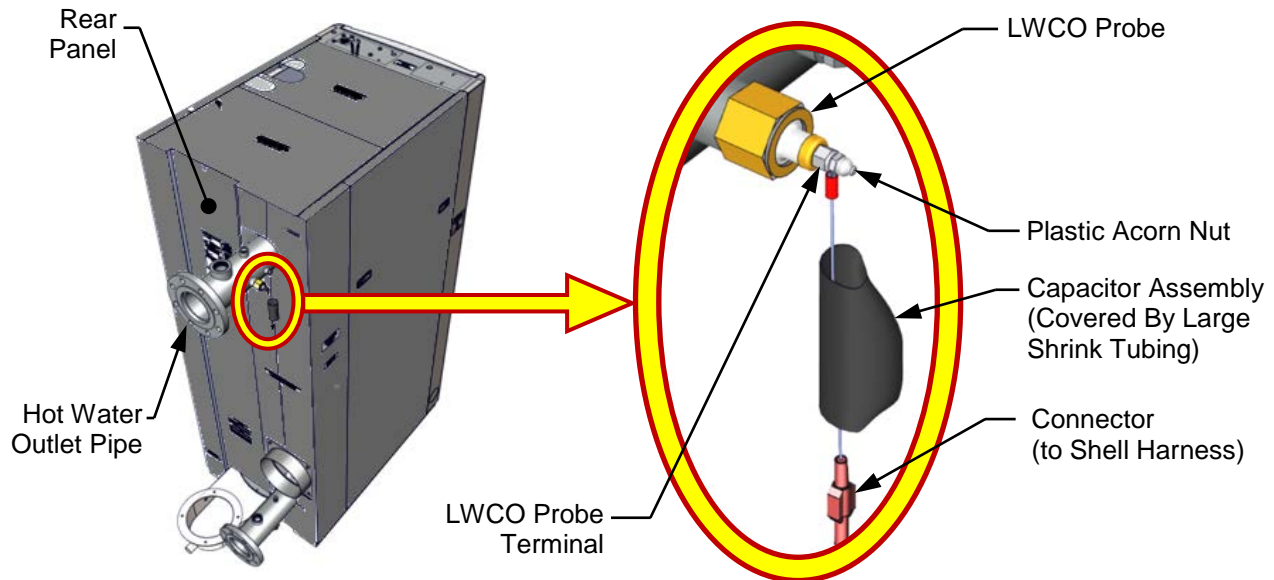
### AIR FILTER CLEANING and REPLACEMENT Instructions

5. The filter may be cleaned in hot soapy water to remove oil and dirt. It should then be thoroughly dried and then sprayed with a light coating of K&N® Air Filter Oil (or equivalent specifically formulated for air filters) prior to reinstallation. Do NOT use WD-40.
6. Each replacement air filter is equipped with its own clamp. Therefore, simply install the replacement air filter on inlet flange of the air fuel valve and tighten the clamp with a flat-tip screwdriver or 5/16" nut driver.
7. Replace the top shroud on the unit and return boiler to service use.

## 4.9 WATER CUTOFF (LWCO) CAPACITOR INTEGRITY TEST

The LWCO capacitor should be tested for electrical shorts every 12 months and replaced, then tested, every 24 months. The LWCO capacitor integrity test consists of two parts as described in the next two sections. The first procedure explains how to test for electrical shorting of the LWCO probe capacitor, while the second procedure instructs how to perform the standard Low Water Cutoff test using the C-More controls.

Refer to Figure 4-9 for an illustration of the LWCO probe assembly and its typical installation.



**Figure 4-9: LWCO Probe Location (BMK1500 Shown)**

### 4.9.1 Low Water Cutoff (LWCO) - Capacitor Electrical Short Test

This test determines if there is an electrical short between the LWCO capacitor and the heat exchanger. Perform the capacitor electrical short test as described below.

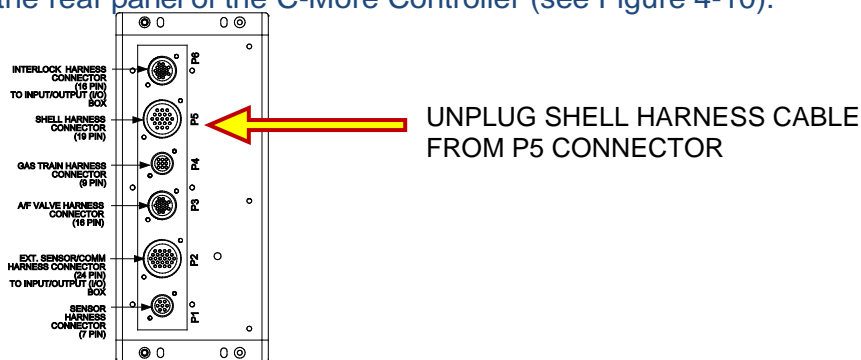
#### LOW WATER CUTOFF – Capacitor Electrical Short Test Instructions

1. Turn the AC power to the unit to OFF.

**WARNING!**

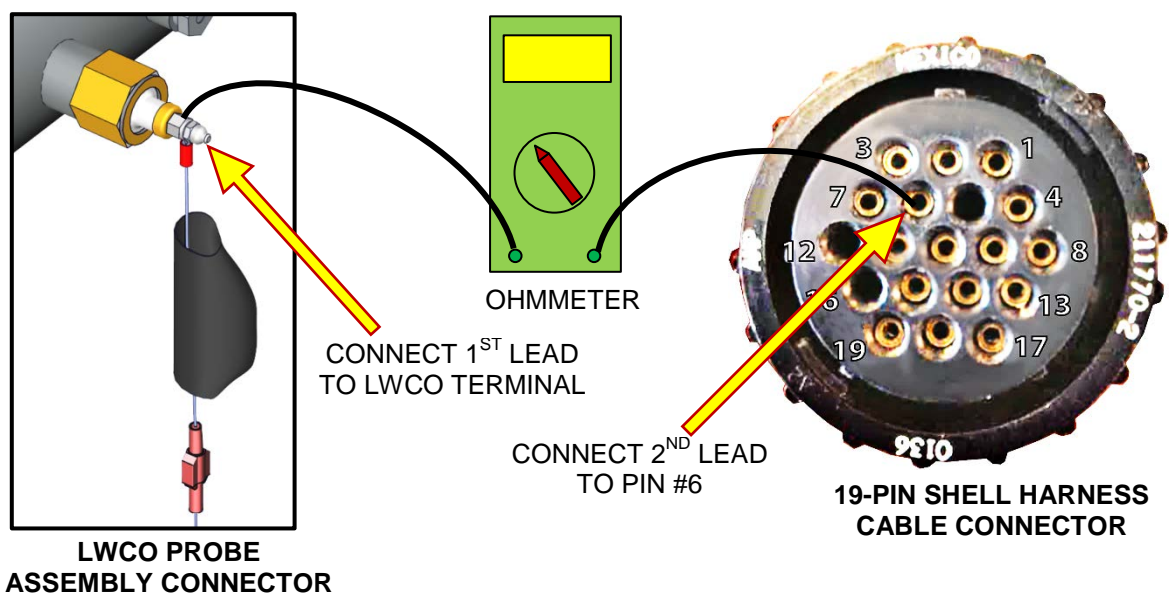
High voltages are used to power these units and so it is required that power applied to these units is removed first before performing the procedure described in this instruction. Serious personal injury or death may occur if this warning is not observed.

2. Remove the Shell Harness Cable (male) connector from the P-5 (female) connector on the rear panel of the C-More Controller (see Figure 4-10).



**Figure 4-10: Removing Shell Harness Cable from P5 Conn. on C-More Rear Panel**

3. Using an ohmmeter, connect one ohmmeter probe to the LWCO capacitor terminal on the unit shell as shown on left in Figure 4-11.
4. Connect the second ohmmeter probe to Pin #6 of Shell Harness Connector (removed from the C-More controller) as shown on right in Figure 4-11.



**Figure 4-11: Connecting Ohmmeter between LWCO Probe & Shell Harness Cable**



### 4.9.2 Low Water Cutoff (LWCO) - Standard C-More Test

Perform the standard Low Water Cutoff test using the C-More controls as described below.

#### LOW WATER CUTOFF (LWCO) - STANDARD C-MORE TEST Instructions

1. Turn the AC power to the unit to the ON position.
2. Press the TEST switch on the C-More Controller and confirm that the blinking *LOW WATER LEVEL* message appears on the C-More display within 4 seconds.
3. Press the RESET key, followed by the Clear button, and confirm that the *LOW WATER LEVEL* message is cleared.

## 4.10 SHUTTING BOILER DOWN FOR EXTENDED PERIOD

If the boiler is to be taken out of service for an extended period of time (one year or more), the following instructions must be followed.

#### SHUTTING BOILER DOWN FOR AN EXTENDED PERIOD Instructions

1. Set ON/OFF switch on the front panel to the OFF position to shut down the boiler's operating controls.
2. Disconnect AC power from the unit.
3. Close the water supply and return valves to isolate boiler.
4. Close external gas supply valve.
5. Open relief valve to vent water pressure.

## 4.11 PLACING THE BOILER BACK IN SERVICE AFTER A PROLONGED SHUTDOWN

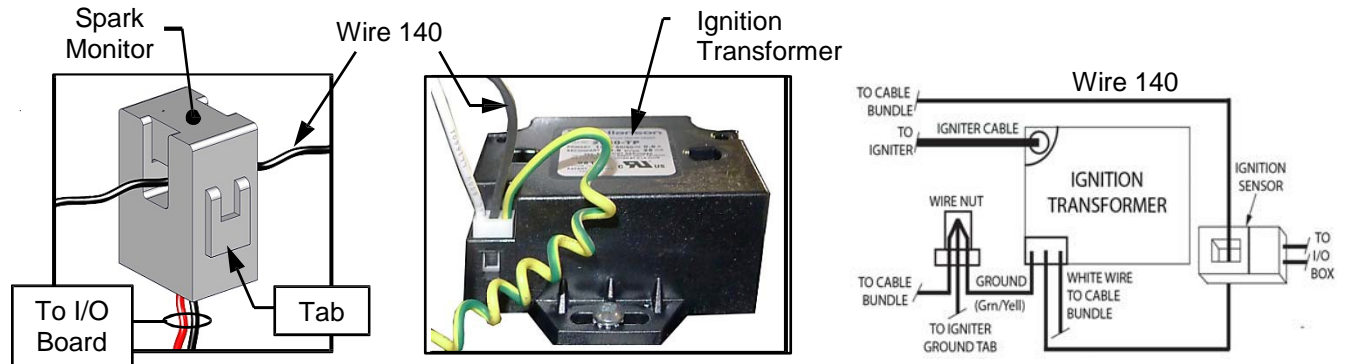
After a prolonged shutdown (one year or more), the following procedures must be followed:

#### PLACING THE BOILER BACK IN SERVICE AFTER A PROLONGED SHUTDOWN Instructions

1. Review installation requirements included in Section 2 of the *Benchmark 750 – 3000 Installation and Startup Guide*, OMM-0121 (GF-205).
2. Inspect all piping and connections to the unit.
3. Inspect exhaust vent and air inlet duct work (if applicable).
4. Perform initial startup per Section 4 of the *Benchmark 750 – 3000 Installation and Startup Guide*, OMM-0121 (GF-205).
5. Perform safety device testing and scheduled maintenance procedures per Sections 4 and 5 of this manual.

## 4.12 SPARK MONITOR (AC CURRENT TRANSDUCER)

The spark monitor (P/N 61034) evaluates the strength of the current between the ignition transformer and igniter-injector. Wire# 140, connected to the ignition transformer (see Figure 4-12), passes through the monitor's orifice. If an adequate AC current is not detected in the wire during ignition, the unit automatically shuts down. The monitor's wires are connected to the I/O board's Spark Signal terminals (see section 2.11.4 in the *Benchmark 750 – 3000 Installation and Startup Guide*, OMM-0121 (GF-205) for details).



**Figure 4-12: Spark Detector Sensor (AC Current Transducer) P/N 61034**

If the spark monitor needs to be replaced, open the monitor's orifice by pulling on the tab at the side, remove Wire# 140, disconnect the monitor's wires from the I/O board, remove the old monitor from its position, install a new monitor in its place, route wire# 140 through the new sensor orifice, and connect the wires to the I/O board's Spark Signal terminals, red wire to the positive (+) terminal and black to negative (-).

## SECTION 5: TROUBLESHOOTING GUIDE

### 5.1 INTRODUCTION

This troubleshooting guide is intended to aid service/maintenance personnel in isolating the cause of a fault in Benchmark 750 through 3000 boilers. The troubleshooting procedures contained herein are presented in tabular form on the following pages. These tables are comprised of three columns labeled: Fault Indication, Probable Cause and Corrective Action. The numbered items in the Probable Cause and Corrective Action columns correspond to each other. For example, Probable Cause No. 1 corresponds to Corrective Action No. 1, etc.

When a fault occurs in the unit, proceed as follows to isolate and correct the fault:

#### FAULT CORRECTION Instructions

1. Observe the fault messages displayed in the C-More Controller display.
2. Refer to the Fault Indication column in Troubleshooting Table 5-1 which follows and locate the Fault that best describes the existing conditions.
3. Proceed to the Probable Cause column and start with the first item (1) listed for the Fault Indication.
4. Perform the checks and procedures listed in the Corrective Action column for the first Probable Cause candidate.
5. Continue checking each additional Probable Cause for the existing fault until the fault is corrected.
6. Section 5-2 contains additional troubleshooting information which may apply when a no fault message is displayed.

If the fault cannot be corrected using the information provided in the Troubleshooting Tables, contact your local AERCO Representative.

#### NOTE:

The front panel of the C-More Controller contains an RS232 port. This port is used only by factory-trained personnel to monitor onAER communications via a portable computer.

(This page intentionally blank)

**TABLE 5-1: BOILER TROUBLESHOOTING PROCEDURES**

Fault Indication	Probable Causes	Corrective Action
<p>AIRFLOW FAULT DURING IGNITION</p>	<ol style="list-style-type: none"> <li>1. Blower stopped running due to thermal or current overload.</li> <li>2. Blocked Blower inlet or inlet air filter.</li> <li>3. Blockage in Blower Proof switch.</li> <li>4. Blockage in Blocked Inlet switch.</li> <li>5. Defective Blower Proof switch.</li> <li>6. Defective Blocked Inlet switch.</li> <li>7. Loose temperature to AUX connection in I/O Box.</li> <li>8. Defective temperature sensor.</li> <li>9. Loose wire connection between the 0-10V signal from I/O box to the Blower input.</li> <li>10. Defective I/O Box.</li> <li>11. Wrong 0-10V output selection on the C-More Controller.</li> <li>12. Defective Air-Fuel Valve potentiometer.</li> <li>13. Hard light.</li> </ol>	<ol style="list-style-type: none"> <li>1. Check combustion blower for signs of excessive heat or high current drain that may trip thermal or current overload devices.</li> <li>2. Inspect the inlet to the combustion blower including the air filter at the air/fuel valve for signs of blockage.</li> <li>3. Remove the Blower Proof switch and inspect for signs of blockage, clean or replace as necessary.</li> <li>4. Remove the Blocked Inlet switch and inspect for signs of blockage, clean or replace as necessary.</li> <li>5. Check the continuity of the Blower Proof switch with the combustion blower running. If there is an erratic resistance reading or the resistance reading is greater than zero ohms, replace the switch.</li> <li>6. Turn off unit and check the continuity of the Blocked Inlet switch. If there is an erratic resistance reading or the resistance reading is greater than zero ohms, replace the switch.</li> <li>7. Check the actual inlet air temperature and measure voltage at AUX input in the I/O Box. Verify that the voltage conforms to the values shown in Appendix C.</li> <li>8. Refer to CORRECTIVE ACTION 7 and verify that the voltage conforms to the values shown in Appendix C in the <i>Benchmark 750 – 3000 Installation and Startup Guide</i>, OMM-0121 (GF-205).</li> <li>9. Check wire connection from I/O Box 0-10V signal to the Blower Motor.</li> <li>10. Measure voltage at the I/O box 0-10V output. A voltage of 10V equates to a 100% open valve position.</li> <li>11. Check the <i>Analog Out</i> option on the C-More <i>Configuration</i> menu. <b>Valve Position 0-10V</b> should be selected.</li> <li>12. Check Air/Fuel Valve position at 0%, 50% and 100% open positions. The positions on the VALVE POSITION bargraph should match the readings on the Air/Fuel Valve dial.</li> <li>13. Check igniter-injector for soot or erosion of electrode. Check injector solenoid valve to insure proper open/close operation.</li> </ol>

**TABLE 5-1: BOILER TROUBLESHOOTING PROCEDURES**

Fault Indication	Probable Causes	Corrective Action
AIRFLOW FAULT DURING PURGE	<ol style="list-style-type: none"> <li>1. Blower not running or running too slow.</li> <li>2. Defective Blocked Inlet switch.</li> <li>3. Blockage in air filter or Blocked Inlet switch.</li> <li>4. Blocked blower inlet or inlet ductwork.</li> <li>5. No voltage to Blocked Inlet switch from C-More Controller.</li> <li>6. PROBABLE CAUSES from 3 to 12 for AIRFLOW FAULT DURING IGNITION apply for this fault.</li> </ol>	<ol style="list-style-type: none"> <li>1. Start the unit. If the blower does not run check the blower solid state relay for input and output voltage. If the relay is OK, check the blower.</li> <li>2. Start the unit. If the blower runs, turn off unit and check the Blocked Inlet switch for continuity. Replace the switch if continuity does not exist.</li> <li>3. Remove the air filter and Blocked Inlet switch and inspect for signs of blockage. Clean or replace as necessary.</li> <li>4. Inspect the inlet to the combustion blower including any ductwork leading up to the combustion blower for signs of blockage.</li> <li>5. During the start sequence, verify that 24 VAC is present between each side of the switch and ground. If 24 VAC is not present, refer fault to qualified service personnel.</li> <li>6. See CORRECTIVE ACTIONS from 3 to 12 for AIRFLOW FAULT DURING IGNITION.</li> </ol>
AIRFLOW FAULT DURING RUN	<ol style="list-style-type: none"> <li>1. Blower stopped running due to thermal or current overload.</li> <li>2. Blocked Blower inlet or inlet ductwork.</li> <li>3. Blockage in air filter or Blocked Inlet switch.</li> <li>4. Defective Blocked Inlet switch.</li> <li>5. Combustion oscillations.</li> <li>6. Probable causes from 3 to 16 for AIRFLOW FAULT DURING IGNITION applies for this fault.</li> </ol>	<ol style="list-style-type: none"> <li>1. Check combustion blower for signs of excessive heat or high current draw that may trip thermal or current overload devices.</li> <li>2. Inspect the inlet to the combustion blower, including any ductwork leading up to the combustion blower, for signs of blockage.</li> <li>3. Remove the air filter and Blocked Inlet switch and inspect for signs of blockage, clean or replace as necessary.</li> <li>4. Verify that 24 VAC is present between each side of the switch and ground. If 24 VAC is not present at both sides, replace switch.</li> <li>5. Run unit to full fire. If the unit rumbles or runs rough, perform combustion calibration.</li> <li>6. See CORRECTIVE ACTIONS from 3 to 12 for AIRFLOW FAULT DURING IGNITION.</li> </ol>

**TABLE 5-1: BOILER TROUBLESHOOTING PROCEDURES**

Fault Indication	Probable Causes	Corrective Action
DELAYED INTERLOCK OPEN	<ol style="list-style-type: none"> <li>1. Delayed Interlock Jumper not properly installed or missing.</li> <li>2. Device proving switch hooked to interlocks is not closed.</li> </ol>	<ol style="list-style-type: none"> <li>1. Check to insure jumper is properly installed across the delayed interlock terminals in the I/O Box.</li> <li>2. If there are 2 external wires on these terminals, check to see if an end switch for a proving device (such as a pump, louver, etc.) is tied these interlocks. Ensure that the device and/or its end switch is functional. A jumper may be temporarily installed to test the interlock.</li> </ol>
DIRECT DRIVE SIGNAL FAULT	<ol style="list-style-type: none"> <li>1. Direct drive signal is not present:                             <ul style="list-style-type: none"> <li>--Not yet installed.</li> <li>--Wrong polarity.</li> <li>--Signal defective at source.</li> <li>--Broken or loose wiring.</li> </ul> </li> <li>2. Signal is not isolated (floating).</li> <li>3. C-More Controller signal type selection switches not set for correct signal type (voltage or current).</li> </ol>	<ol style="list-style-type: none"> <li>1. Check I/O Box to ensure signal is hooked up.                             <ul style="list-style-type: none"> <li>--Hook up if not installed.</li> <li>--If installed, check polarity.</li> <li>--Measure signal level.</li> <li>--Check wiring continuity between source and unit.</li> </ul> </li> <li>2. Check signal at source to ensure it is isolated.</li> <li>3. Check DIP switch on PMC board to ensure it is set correctly for the type of signal being sent. Check control signal type set in <i>Configuration</i> menu.</li> </ol>
FLAME LOSS DURING IGN	<ol style="list-style-type: none"> <li>1. Worn Flame Detector.</li> <li>2. No spark from Spark Igniter.</li> <li>3. Defective Ignition Transformer.</li> <li>4. Defective Ignition/Stepper (IGST) Board.</li> <li>5. Defective SSOV.</li> </ol>	<ol style="list-style-type: none"> <li>1. Remove and inspect the Flame Detector for signs of wear. Replace if necessary.</li> <li>2. Close the internal gas valve in the unit. Install and arc a spark igniter outside the unit.</li> <li>3. If there is no spark, check for 120VAC at the primary side to the ignition transformer during the ignition cycle.</li> <li>4. If 120VAC is not present, the IGST Board in the C-More Controller may be defective. Refer fault to qualified service personnel.</li> <li>5. While externally arcing the spark igniter, observe the open/close indicator in the Safety Shut-Off Valve to ensure it is opening. If the valve does not open, check for 120VAC at the valve input terminals. If 120VAC is not present, the IGST board in the C-More Controller may be defective. Refer fault to qualified service personnel.</li> </ol>

**TABLE 5-1: BOILER TROUBLESHOOTING PROCEDURES**

Fault Indication	Probable Causes	Corrective Action
FLAME LOSS DURING RUN	<ol style="list-style-type: none"> <li>1. Worn Flame Detector or cracked ceramic.</li> <li>2. Defective Regulator.</li> <li>3. Poor combustion calibration.</li> <li>4. Debris on burner.</li> <li>5. Blocked condensate drain.</li> </ol>	<ol style="list-style-type: none"> <li>1. Remove and inspect the Flame Detector for signs of wear or cracked ceramic. Replace if necessary.</li> <li>2. Check gas pressure readings using a gauge or manometer into and out of the Air/Fuel Valve to ensure that the gas pressure into and out of the valve is correct.</li> <li>3. Check combustion calibration using the procedures in Section 4 of the <i>Benchmark 750 – 3000 Installation and Startup Guide</i>, OMM-0121 (GF-205).</li> <li>4. Remove the burner and inspect for any carbon build-up or debris. Clean and reinstall.</li> <li>5. Remove blockage in condensate drain.</li> </ol>
HEAT DEMAND FAILURE	<ol style="list-style-type: none"> <li>1. The Heat Demand Relays on the Ignition/Stepper (IGST) board failed to activate when commanded.</li> <li>2. Relay is activated when not in Demand.</li> </ol>	<ol style="list-style-type: none"> <li>1. Press <b>CLEAR</b> button and restart the unit. If the fault persists, replace Ignition/Stepper (IGST) Board.</li> <li>2. Defective relay. Replace IGST Board.</li> </ol>
HIGH EXHAUST TEMPERATURE	<ol style="list-style-type: none"> <li>1. Poor combustion calibration.</li> <li>2. Carboned heat exchanger due to incorrect combustion calibration.</li> </ol>	<ol style="list-style-type: none"> <li>1. Check combustion calibration using procedures in Section 4.4 of the <i>Benchmark 750 – 3000 Installation and Startup Guide</i>, OMM-0121 (GF-205).</li> <li>2. If exhaust temperature is greater than 200° F (93.3°C), check combustion calibration. Calibrate or repair as necessary.</li> </ol>
HIGH GAS PRESSURE	<ol style="list-style-type: none"> <li>1. Incorrect supply gas pressure.</li> <li>2. Defective SSOV Actuator.</li> <li>3. Defective <b>High Gas Pressure</b> switch.</li> </ol>	<ol style="list-style-type: none"> <li>1. Check to ensure gas pressure at inlet of SSOV does not <b>exceed 14" W.C. (3.49 kPa)</b>.</li> <li>2. If gas supply pressure downstream of SSOV Actuator cannot be lowered to the range specified in Table 4-1 (Natural Gas) or Table 4-4 (Propane) in Section 4.4 of the <i>Benchmark 750 – 3000 Installation and Startup Guide</i>, OMM-0121 (GF-205), the SSOV Actuator may be defective.</li> <li>3. Remove the leads from the High Gas Pressure switch. Measure continuity across the common (C) and normally closed (NC) terminals with the unit not firing. Replace the switch if continuity does not exist.</li> </ol>



**TABLE 5-1: BOILER TROUBLESHOOTING PROCEDURES**

Fault Indication	Probable Causes	Corrective Action
HIGH WATER TEMP SWITCH OPEN	<ol style="list-style-type: none"> <li>1. Faulty Water temperature switch.</li> <li>2. Incorrect PID settings.</li> <li>3. Faulty shell temperature sensor.</li> <li>4. Unit in MANUAL mode.</li> <li>5. Unit setpoint is greater than Over Temperature switch setpoint.</li> <li>6. System flow rate changes are occurring faster than units can respond.</li> </ol>	<ol style="list-style-type: none"> <li>1. Test the temperature switch to insure it trips at its actual water temperature setting.</li> <li>2. Check PID settings (see Section 2-7: <i>Tuning Menu</i>, items 1 -3, for details). If the settings have been changed, record the current readings then reset them to the default values.</li> <li>3. Using the resistance charts in Appendix C of the <i>Benchmark 750 – 3000 Installation and Startup Guide</i>, OMM-0121 (GF-205), measure the resistance of Shell sensor and BTU sensor at a known water temperature.</li> <li>4. If unit is in MANUAL mode, switch to AUTO mode.</li> <li>5. Check setpoint of unit and setpoint of Temperature switch; Ensure that the temperature switch is set higher than the unit's setpoint.</li> <li>6. If the system is a variable flow system, monitor system flow changes to ensure that the rate of flow change is not faster than what the units can respond to.</li> </ol>
HIGH WATER TEMPERATURE	<ol style="list-style-type: none"> <li>1. See HIGH WATER TEMPERATURE SWITCH OPEN.</li> <li>2. Temp HI Limit setting is too low.</li> </ol>	<ol style="list-style-type: none"> <li>1. See HIGH WATER TEMPERATURE SWITCH OPEN.</li> <li>2. Check Temp HI Limit setting.</li> </ol>
IGN BOARD COMM FAULT	<ol style="list-style-type: none"> <li>1. Communication fault has occurred between the PMC board and Ignition/Stepper (IGST) board.</li> </ol>	<ol style="list-style-type: none"> <li>1. Press <b>CLEAR</b> button and restart unit. If fault persists, contact qualified Service Personnel.</li> </ol>

**TABLE 5-1: BOILER TROUBLESHOOTING PROCEDURES**

Fault Indication	Probable Causes	Corrective Action
IGN SWITCH CLOSED DURING PURGE	<ol style="list-style-type: none"> <li>1. Air/Fuel Valve not rotating.</li> <li>2. Defective or shorted switch.</li> <li>3. Switch wired incorrectly.</li> <li>4. Defective Power Supply Board or fuse.</li> <li>5. Defective IGST Board.</li> </ol>	<ol style="list-style-type: none"> <li>1. Start the unit. The Air/Fuel Valve should rotate to the purge (open) position. If the valve does not rotate at all or does not rotate fully open, check the Air/Fuel Valve calibration. If calibration is okay, the problem may be in the Air-Fuel Valve or the C-More Controller. Refer to qualified service personnel.</li> <li>2. If the Air/Fuel Valve does rotate to purge, check the ignition switch for continuity between the N.O. and COM terminals. If the switch shows continuity when not in contact with the cam replace the switch.</li> <li>3. Check to ensure that the switch is wired correctly (correct wire numbers on the normally open terminals). If the switch is wired correctly, replace the switch.</li> <li>4. Check DS1 &amp; DS2 LEDs on Power Supply Board. If they are not steady ON, replace Power Supply Board.</li> <li>5. Check “Heartbeat” LED DS1 and verify it is blinking ON &amp; OFF every second. If not, replace IGST Board.</li> </ol>
IGN SWITCH OPEN DURING IGNITION	<ol style="list-style-type: none"> <li>1. Air/Fuel Valve not rotating to ignition position.</li> <li>2. Defective Ignition switch.</li> <li>3. Defective Power Supply Board or fuse.</li> <li>4. Defective IGST Board.</li> </ol>	<ol style="list-style-type: none"> <li>1. Start the unit. The Air/Fuel Valve should rotate to the purge (open) position, then back to ignition position (towards closed) during the ignition cycle. If the valve does not rotate back to the ignition position, check the Air/Fuel Valve calibration. If calibration is okay, the problem may be in the Air/Fuel Valve or the C-More Controller. Refer fault to qualified service personnel.</li> <li>2. If the Air/Fuel Valve does rotate to the ignition position, check the ignition position switch for continuity between the N.O. and COM terminals when in contact with the cam.</li> <li>3. Check DS1 &amp; DS2 LEDs on Power Supply Board. If they are not steady ON, replace Power Supply Board.</li> <li>4. Check “Heartbeat” LED DS1 and verify it is blinking ON &amp; OFF every second. If not, replace IGST Board.</li> </ol>

**TABLE 5-1: BOILER TROUBLESHOOTING PROCEDURES**

Fault Indication	Probable Causes	Corrective Action
INTERLOCK OPEN	<ol style="list-style-type: none"> <li>1. Interlock jumper not installed or removed.</li> <li>2. Energy Management System does not have unit enabled.</li> <li>3. Device proving switch hooked to interlocks is not closed.</li> </ol>	<ol style="list-style-type: none"> <li>1. Check for a jumper properly installed across the interlock terminals in the I/O box.</li> <li>2. If there are two external wires on these terminals check any Energy Management system to see if they have the units disabled (a jumper may be temporarily installed to see if the interlock circuit is functioning).</li> <li>3. Check that proving switch for any device hooked to the interlock circuit is closing and that the device is operational.</li> </ol>
LINE VOLTAGE OUT OF PHASE	<ol style="list-style-type: none"> <li>1. Line and Neutral switched in AC Power Box.</li> <li>2. Incorrect power supply transformer wiring.</li> </ol>	<ol style="list-style-type: none"> <li>1. Check hot and neutral in AC Power Box to ensure they are not reversed.</li> <li>2. Check transformer wiring, in AC Power Box, against the power box transformer wiring diagram to ensure it is wired correctly.</li> </ol>
LOW GAS PRESSURE	<ol style="list-style-type: none"> <li>1. Incorrect supply gas pressure.</li> <li>2. Defective Low Gas Pressure switch.</li> </ol>	<ol style="list-style-type: none"> <li>1. Measure gas pressure upstream of the SSOV Actuator(s) with the unit firing. Ensure it is above the values in Table 5-1 (BMK 750-2500) or Table 5.2 (BMK 3000) in section 5.2 of the <i>Benchmark 750 – 3000 Installation and Startup Guide</i>, OMM-0121 (GF-205).</li> <li>2. Measure gas pressure at the Low Gas Pressure switch. If it is <b>greater than 1 inch above the Low Gas Pressure switch setting</b> (see Table 5-1 (BMK750-2500) or Table 5.2 (BMK3000) in section 5.2 of the <i>Benchmark 750 – 3000 Installation and Startup Guide</i>, OMM-0121 (GF-205)) measure continuity across the switch and replace if necessary.</li> </ol>
LOW WATER LEVEL	<ol style="list-style-type: none"> <li>1. Insufficient water level in system.</li> <li>2. Defective water level circuitry.</li> <li>3. Defective water level probe.</li> </ol>	<ol style="list-style-type: none"> <li>1. Check system for sufficient water level.</li> <li>2. Test water level circuitry using the C-More Controller front panel LOW WATER TEST and RESET buttons. Replace water level circuitry if it does not respond.</li> <li>3. Check continuity of probe end to the shell, change probe if there is no continuity.</li> </ol>
MODBUS COMMFAULT	Unit not seeing information from Modbus network.	Check network connections. If fault persists, contact qualified Service Personnel.

**TABLE 5-1: BOILER TROUBLESHOOTING PROCEDURES**

Fault Indication	Probable Causes	Corrective Action
PRG SWTCH CLOSED DURING IGNITION	<ol style="list-style-type: none"> <li>1. A/F Valve rotated open to purge and did not rotate to ignition position.</li> <li>2. Defective or shorted switch.</li> <li>3. Switch wired incorrectly.</li> <li>4. Defective Power Supply Board or fuse.</li> <li>5. Defective IGST Board.</li> </ol>	<ol style="list-style-type: none"> <li>1. Start the unit. The Air/Fuel Valve should rotate to the purge (open) position, then back to ignition position (towards closed) during the ignition cycle. If the valve does not rotate back to the ignition position, check the Air/Fuel Valve calibration. If calibration is okay, the problem may be in the Air/Fuel Valve or the C-More Controller. Refer fault to qualified service personnel.</li> <li>2. If the Air/Fuel Valve does rotate to the ignition position, check the purge switch for continuity between the N.O. and COM terminals. If the switch shows continuity when not in contact with the cam, check to ensure that the switch is wired correctly (correct wire numbers on the normally open terminals).</li> <li>3. If the switch is wired correctly, replace the switch.</li> <li>4. Check DS1 &amp; DS2 LEDs on Power Supply Board. If they are not steady ON, replace Power Supply Board.</li> <li>5. Check “Heartbeat” LED DS1 and verify it is blinking ON &amp; OFF every second. If not, replace IGST Board.</li> </ol>
PRG SWTCH OPEN DURING PURGE	<ol style="list-style-type: none"> <li>1. Defective Purge switch.</li> <li>2. No voltage present at switch.</li> <li>3. Switch wired incorrectly.</li> <li>4. Defective Power Supply Board or fuse</li> <li>5. Defective IGST Board.</li> </ol>	<ol style="list-style-type: none"> <li>1. If the air-fuel valve does rotate, check Purge switch for continuity when closing. Replace switch if continuity does not exist.</li> <li>2. Measure for 24 VAC from each side of the switch to ground. If 24VAC is not present, refer fault to qualified service personnel.</li> <li>3. Check to ensure that the switch is wired correctly (correct wire numbers on the normally open terminals).</li> <li>4. Check DS1 &amp; DS2 LEDs on Power Supply Board. If they are not steady ON, replace Power Supply Board.</li> <li>5. Check “Heartbeat” LED DS1 and verify it is blinking ON &amp; OFF every second. If not, replace IGST Board.</li> </ol>
OUTDOOR TEMP SENSOR FAULT	<ol style="list-style-type: none"> <li>1. Loose or broken wiring.</li> <li>2. Defective Sensor.</li> <li>3. Incorrect Sensor.</li> </ol>	<ol style="list-style-type: none"> <li>1. Inspect Outdoor Temperature sensor for loose or broken wiring.</li> <li>2. Check resistance of sensor to determine if it is within specification.</li> <li>3. Ensure that the correct sensor is installed.</li> </ol>

**TABLE 5-1: BOILER TROUBLESHOOTING PROCEDURES**

Fault Indication	Probable Causes	Corrective Action
O2 % OUT OF RANGE	<ol style="list-style-type: none"> <li>1. Combustion Calibration incorrect.</li> <li>2. Blocked inlet air duct or louver.</li> </ol>	<ol style="list-style-type: none"> <li>1. Check Combustion Analyzer and recalibrate the boiler.</li> <li>2. Unblock air inlet and measure open area for combustion air to the room.</li> </ol>
RECIRC PUMP FAILURE	<ol style="list-style-type: none"> <li>1. Internal recirculation pump failed.</li> </ol>	<ol style="list-style-type: none"> <li>1. Replace recirculation pump.</li> </ol>
REMOTE SETPT SIGNAL FAULT	<ol style="list-style-type: none"> <li>1. Remote setpoint signal not present: Not yet installed. Wrong polarity. Signal defective at source. Broken or loose wiring.</li> <li>2. Signal is not isolated (floating) if 4 to 20 mA.</li> <li>3. C-More Controller signal type selection switches not set for correct signal type (voltage or current).</li> </ol>	<ol style="list-style-type: none"> <li>1. Check I/O Box to ensure signal is hooked up. Hook up if not installed. If installed, check polarity. Measure signal level. Check continuity of wiring between source and unit.</li> <li>2. Check signal at source to ensure it is isolated.</li> <li>3. Check DIP switch on PMC board to ensure it is set correctly for the type of signal being sent. Check control signal type set in item 6 of the <i>Configuration</i> menu (see Section 2.6: <i>Configuration Menu</i>).</li> </ol>
RESIDUAL FLAME	<ol style="list-style-type: none"> <li>1. Defective Flame Detector.</li> <li>2. SSOV not fully closed.</li> </ol>	<ol style="list-style-type: none"> <li>1. Replace Flame Detector.</li> <li>2. Check open/close indicator window of Safety Shut-Off Valve (SSOV) and ensure that the SSOV is fully closed. If not fully closed, replace the valve and or actuator.  Close the Gas Shut-Off Valve downstream of SSOV (see Section 1, Figure 1-1). Install a manometer or gauge at the leak detection port between the SSOV and Gas Shut Off Valve. If a gas pressure reading is observed replace the SSOV Valve and/or Actuator.</li> </ol>
SSOV FAULT DURING PURGE	See SSOV SWITCH OPEN	
SSOV FAULT DURING RUN	SSOV switch closed for 15 seconds during run.	<ol style="list-style-type: none"> <li>1. Replace or adjust micro-switch in SSOV actuator. If fault persists, replace actuator.</li> </ol>

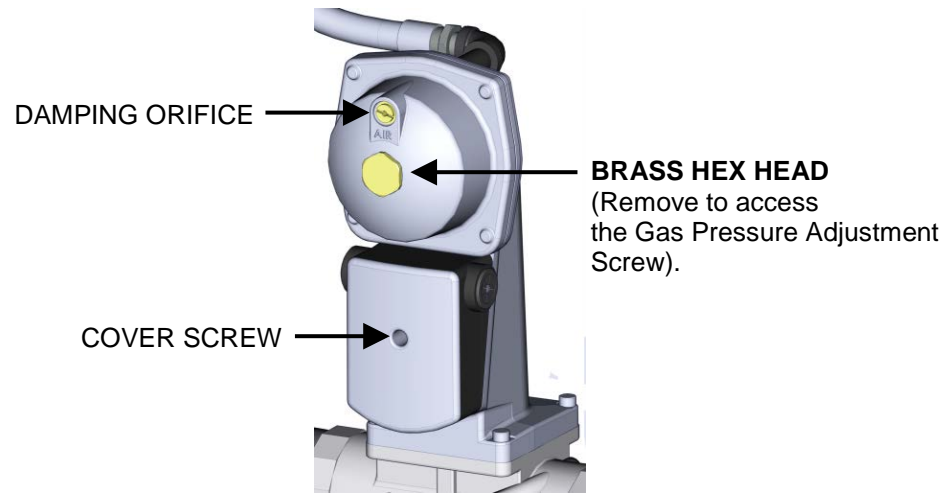
**TABLE 5-1: BOILER TROUBLESHOOTING PROCEDURES**

Fault Indication	Probable Causes	Corrective Action
SSOV RELAY FAILURE	<ol style="list-style-type: none"> <li>1. SSOV relay failed on IGST board.</li> <li>2. Floating Neutral.</li> <li>3. Hot and Neutral reversed at SSOV.</li> </ol>	<ol style="list-style-type: none"> <li>1. Press <b>CLEAR</b> button and restart unit. If fault persists, replace Ignition/Stepper (IGST) Board.</li> <li>2. The Neutral and Earth Ground are not connected at the source and therefore there is a voltage measured between the two. Normally this measurement should be near zero or no more than a few millivolts.</li> <li>3. Check SSOV power wiring.</li> </ol>
SSOV SWITCH OPEN	<ol style="list-style-type: none"> <li>1. Actuator not allowing for full closure of gas valve.</li> <li>2. SSOV powered when it should not be</li> <li>3. Defective switch or Actuator.</li> <li>4. Incorrectly wired switch.</li> </ol>	<ol style="list-style-type: none"> <li>1. Observe operation of the Safety Shut-Off Valve (SSOV) through indicator on the Valve actuator and ensure that the valve is fully and not partially closing.</li> <li>2. If the SSOV never closes, it may be powered continuously. Close the gas supply and remove power from the unit. Refer fault to qualified service personnel.</li> <li>3. Remove the electrical cover from the SSOV and check switch continuity. If the switch does not show continuity with the gas valve closed, either adjust or replace the switch or actuator.</li> <li>4. Ensure that the SSOV Proof of Closure switch is correctly wired.</li> </ol>
STEPPER MOTOR FAILURE	<ol style="list-style-type: none"> <li>1. Air/Fuel Valve out of calibration.</li> <li>2. Air/Fuel Valve unplugged.</li> <li>3. Loose wiring connection to the stepper motor.</li> <li>4. Defective Air/Fuel Valve stepper motor.</li> <li>5. Defective Power Supply Board or fuse.</li> <li>6. Defective IGST Board.</li> </ol>	<ol style="list-style-type: none"> <li>1. Refer to the C-More User Manual OMM-0032 (GF-112) and perform the Stepper Feedback Calibration procedure in Section 6, section 6.2.1.</li> <li>2. Check that the Air/Fuel Valve is connected to the C-More Controller.</li> <li>3. Inspect for loose connections between the Air/Fuel Valve motor and the wiring harness.</li> <li>4. Replace stepper motor.</li> <li>5. Check DS1 &amp; DS2 LEDs on Power Supply Board. If they are not steady ON, replace Power Supply Board.</li> <li>6. Check “Heartbeat” LED DS1 and verify it is blinking ON &amp; OFF every second. If not, replace IGST Board.</li> </ol>

## 5.2 ADDITIONAL FAULTS WITHOUT SPECIFIC FAULT MESSAGES

Refer to Table 5-2 to troubleshoot faults which may occur without a specific fault message being displayed.

<b>TABLE 5-2: BOILER TROUBLESHOOTING WITH NO FAULT MESSAGE DISPLAYED</b>		
Observed Incident	Probable Causes	Corrective Action
Hard Light-Off	<ol style="list-style-type: none"> <li>1. Clogged/damaged Gas Injector on Igniter-Injector (Figure 4-1a through Figure 4-1c).</li> <li>2. Defective Staged Ignition Solenoid (Figure 4-1a through Figure 4-1c).</li> </ol>	<ol style="list-style-type: none"> <li>1. Disconnect the Staged Ignition Assembly solenoid from the Gas injector Tube of the Igniter-Injector (Figure 4-1a through Figure 4-1c) and inspect Gas Injector to ensure it is not clogged or damaged.</li> <li>2. Close the Manual Shutoff Valve. Attempt to start the unit and listen for a “clicking” sound that the Staged Ignition Solenoid makes during Ignition Trial. If “clicking” sound is not heard after 2 or 3 attempts, replace the Staged Ignition Solenoid.</li> </ol>
Fluctuating Gas Pressure	<ol style="list-style-type: none"> <li>1. Gas pressure going into unit is fluctuating.</li> <li>2. Damping Orifice not installed.</li> </ol>	<ol style="list-style-type: none"> <li>1. Stabilize gas pressure going into unit. If necessary, troubleshoot Building Supply Regulator.</li> <li>2. Check if the gas train is supposed to have a Damping Orifice, and if so, ensure that it is installed in the SSOV Actuator shown in Figure 5-1. For DBB Gas Trains, the Damping Orifice is installed in the downstream SSOV Actuator).</li> </ol>
Air/Fuel Valve “hunting” at the 70% Valve Position	<ol style="list-style-type: none"> <li>1. IGST and Power Supply Boards in C-More Controller are outdated.</li> </ol>	<ol style="list-style-type: none"> <li>1. Check to ensure that the IGST and Power Supply Boards are Rev. E or higher.</li> </ol>



**Figure 5-1: SSOV Actuator With Gas Pressure Adjustment (SKP25)**



## Appendix A: BOILER MENU ITEM DESCRIPTIONS

### TABLE A-1: OPERATING MENU ITEM DESCRIPTIONS

See section 2-4 OPERATING Menu for a range of choices and the default values.

TABLE A-1: OPERATING MENU ITEM DESCRIPTIONS		
MENU OPTIONS		DESCRIPTION
1	Active Setpoint	This is the setpoint temperature to which the control is set when operating in the Constant Setpoint, Remote Setpoint or Outdoor Reset Mode. When in the Constant Setpoint Mode, this value is equal to the Internal Setpoint setting in the Configuration Menu. When in the Remote Setpoint Mode, this value is the setpoint equivalent to the remote analog signal supplied to the unit. When in the Outdoor Reset Mode, this is the derived value from the charts in Appendix E.
2	Outlet Temp	Displays the outlet water temperature.
3	Inlet Temp	Displays the inlet water temperature.
4	Air Temp	Air Temp is the air temperature at the input to the Air/Fuel Valve. This reading is one of the parameters used to control the Blower Motor speed.
5	Outdoor Temp	Outdoor temperature is displayed in °F or °C, only if outdoor temperature sensor is installed and enabled.
6	Flow rate	Not Used
7	Valve Position In	Desired input valve position. This would normally be the same as the fire valve position shown on the bar graph (valve position out) when the boiler is operating.
8	Valve Position Out	Displays actual real time Valve Position.
9	Gas Plate DP	Not Used
10	Supply Gas Press	Not Used
11	FFWD Temp	Displays BST header temperature
12	Exhaust Temp	Displays the exhaust temperature in °F (default) or °C.
13	Flame Strength	Displays flame strength from 0% to 100%.
14	Min Flame Str	Not Used
15	O2 Monitor	Enables or disables the O2 Monitor.
16	Oxygen Level	Displays the real-time combustion oxygen (O <sub>2</sub> ) level (%) measured by the O <sub>2</sub> sensor.
17	Ignition Time	Displays the elapsed time between confirmation of gas valve opening (POC) until a stable flame is detected.
18	SSOV Time to OPN	Displays the elapsed time between 120VAC being applied to the Gas Valve and confirmation of gas valve opening (POC).

APPENDIX A: BOILER MENU DESCRIPTIONS

TABLE A-1: OPERATING MENU ITEM DESCRIPTIONS		
MENU OPTIONS		DESCRIPTION
<b>19</b>	Spark Current	Displays the current going to the ignition transformer.
<b>20</b>	Run Cycles	Displays the total number of run cycles.
<b>21</b>	Run Hours	Displays total run time of unit in hours.
<b>22</b>	Fault Log	Displays information on the last 20 faults.
<b>23</b>	Manual Valve Pos	Selects valve position. <b>Available in Manual mode only!</b>

## TABLE A-2: SETUP MENU ITEM DESCRIPTIONS

See section 2-5 SETUP Menu for a range of choices and the default values.

MENU OPTIONS		DESCRIPTION
1	Password	Allows Level 1 or Level 2 password to be entered. Entering the Level 1 Password (159) allows options in the <i>Setup</i> , <i>Configuration</i> and <i>Tuning</i> menus to be modified. Entering the Level 2 Password (6817) allows options in the Calibration and Diagnostics Menus to be changed or activated, in addition to all Level 1 Menu options.
2	Language	Permits selection of the language of displayed messages. English is the only option at this time.
3	Time	Allows user to set the time, from 12:00 am to 11:59 pm.
4	Date	Allows user to set the date, from 01/01/00 to 12/31/99
5	Unit of Temp	Permits selection of temperature displays in degrees Fahrenheit (°F) or degrees Celsius (°C).
6	Comm Address	For RS-485 communications. RS232 should have its own (programmable) password.
7	Baud Rate	Allows communications Baud Rate to be set (2400 to 19.2K). Default is 9600.
8	onAER Mode	Allows selection of either <b>Ethernet</b> or <b>SD Card</b> .
9	Min Upload Timer	Mandatory for AERCO onAER Remote Data Collection (ORDC). This parameter enables ORDC and defines the minimum amount of time between heartbeat data uploads in seconds. The COMM LED will light during the upload.
10	Unit Alpha	Mandatory for AERCO onAER Remote Data Collection. This value must match the first alpha digit on the Code Plate, e.g., <b>G</b> -12-1234.
11	Unit Year	Mandatory for AERCO onAER Remote Data Collection. This value must match the 2-digit year on the Code Plate, e.g., G- <b>12</b> -1234.
12	Unit Serial #	Mandatory for AERCO onAER. Remote Data Collection. This value must match the 4-digit serial # on the Code Plate, e.g., G-12- <b>1234</b> .
13	Software Version	Identifies the current software version of the C-More Controller.

**TABLE A-3: CONFIGURATION MENU ITEM DESCRIPTIONS**

See section 2-6 CONFIGURATION Menu for a range of choices and the default values.

The *Configuration* menu settings are Factory-Set in accordance with the requirements specified with each individual order. No changes will be required under normal operating conditions.

TABLE A-3: CONFIGURATION MENU ITEM DESCRIPTIONS		
MENU OPTIONS		DESCRIPTION
1	Internal Setpoint	Allows internal setpoint to be set from Lo Temp Limit of 40°F to Hi Temp Limit of 240°F (4.4°C to 115.6°C).
2	Unit Type	Can be one of the following: BMK Blr Std, BMK Blr Std Dual, BMK Blr LN, BMK Blr LN Dual.
3	Unit Size	Sets unit size, depending on the Unit Type: 750 MBH (220 kW), 1000 MBH (293 kW), 1500 MBH (439.6 kW), 2000 MBH (586.1 kW), 2500 MBH (732.6 kW), 3000 MBH (879.2 kW)
4	Fuel Type	Allows selection of Natural Gas or Propane.
5	Boiler Mode	Only available if Unit Type = Boiler. Allows selection of: Constant Setpoint, Remote Setpoint, Direct Drive, Combination, or Outdoor Reset Mode.
6	Remote Signal	Only available if Mode = Remote Setpoint, Direct Drive or Combination. Used to set the type of external signal which will be used when operating in the Remote Setpoint, Direct Drive or Combination Mode.
7	Outdoor Sensor	Allows outdoor sensor function to be set to Enabled or Disabled.
8	Bldg Ref Temp	Only available if Boiler Mode = <b>Outdoor Reset</b> . Allows the building reference temperature to be set when operating a boiler in the Outdoor Reset Mode.
9	Reset Ratio	Only available if Boiler Mode = <b>Outdoor Reset</b> . Permits setting of Reset Ratio when operating boiler in the Outdoor Reset Mode.
10	System Start Tmp	Only if Outdoor Sensor = <b>Enabled</b> . This menu item allows the system start temperature to be set.
11	Setpt Lo Limit	Used to set the <i>minimum</i> allowable setpoint, from 40°F (4.4°C) up to the Setpt Hi Limit.
12	Setpt Hi Limit	Used to set the <i>maximum</i> allowable setpoint, from the Setpt Lo Limit up to 210°F (98.9°C).
13	Temp Hi Limit	This is the maximum allowable outlet temperature, up to 210°F (98.9°C). Any temperature above this setting will turn off the unit. The temperature must then drop 5°F (2.75°C) below this setting to allow the unit to run.
14	Max Valve Position	Sets the maximum allowable valve position for the unit.
15	Pump Delay Timer	Specifies the amount of time, up to 30 minutes, to keep the pump running after the unit turns off.

APPENDIX A: BOILER MENU DESCRIPTIONS

TABLE A-3: CONFIGURATION MENU ITEM DESCRIPTIONS		
MENU OPTIONS		DESCRIPTION
16	Aux Start On Dly	Specifies the amount of time to wait, up to 120 seconds, between activating the Aux Relay (due to a demand) and checking the pre-purge string to start the boiler.
17	Failsafe Mode	Allows the Failsafe mode to be set to either Constant Setpoint or Shutdown.
18	Analog Output	Must be set to <b>Valve Pos 0-10V</b> for all Benchmark models. <b>DO NOT CHANGE from its default value.</b>
19	Lo Fire Timer	Specifies how long, from 2 to 600 seconds, to remain in the low fire position after ignition, before going to the desired output.
20	Setpt Limiting	Setpoint Limiting can be Enabled or Disabled.
21	Setpt Limit Band	The Setpoint Limit Band can be set from <b>0°F to 10°F (0°C to 5.5°C)</b> .
22	Network Timeout	Specifies the timeout value in seconds before a Modbus fault is declared, up to 999 seconds.
23	Shutoff Dly Temp	This feature delays the shutdown of a boiler in order to reduce excessive cycling. This specifies the temperature value the Outlet Temperature is permitted to rise above setpoint before being shut down.
24	Demand Offset	<p>This entry will reduce excessive ON/OFF cycling in AUTO mode. When this entry is a non-zero value, the unit will not turn on again until <i>Valve Position In</i> (Operating menu item 7) reaches the Start Level value AND the Outlet Temperature goes below the <i>Active Setpoint – Demand Offset</i>. In addition, the boiler will fire at the 29% Valve Position level or below for a period of one minute.</p> <p>When this entry is set to zero, the unit will turn on again as soon as the <i>Valve Position In</i> reaches the <i>Start Level</i> value (Calibration menu item 37). There will not be a one minute delay when firing at the 29% Valve Position level.</p>

APPENDIX A: BOILER MENU DESCRIPTIONS

TABLE A-3: CONFIGURATION MENU ITEM DESCRIPTIONS		
MENU OPTIONS		DESCRIPTION
25	Deadband High	Deadband High and Deadband Low settings create an “Outlet Temperature” Zone in which no Valve Position corrections will be attempted. The Deadband ZONE is defined as operating with an Outlet Temperature between Active Setpoint + Deadband High and Active Setpoint – Deadband Low. When the Outlet Temperature reaches Active Setpoint and remains there for a period of 15 seconds, the unit will go into a DEADBAND MODE at which point no Valve Position corrections will be attempted while the Outlet Temperature remains anywhere within the Deadband ZONE. When the unit is in the DEADBAND MODE, the °F or °C LED will flash on and off. When the Outlet Temperature drifts out of the Deadband ZONE, the DEADBAND MODE will be terminated and the PID LOOP will again attempt Valve Position corrections. Setting range is 0°F (0°C) to 25°F (13.75°C). Default is 5°F (2.75°C) for both Deadband High and Deadband Low).
26	Deadband Low	
27	IGST Version	Displays the version of the IGST Board installed.
28	IGN Time Setting	Displays the MAX Ignition time of 4 Seconds or 7 Seconds as set in the Safety String Harness.
29	Slow Shutdown	Set the Slow Shutdown feature to Enabled or Disabled.
30	Slow Sht Duration	If Slow Shutdown = <b>Enabled</b> , sets the time a boiler will continue to run at the Stop Level after running above the Slow Sht Threshold level, up to 9,999 seconds.
31	Slow Sht Threshold	Sets the Fire Rate above which a boiler will trigger the Slow Shutdown feature.
32	O2 Warnings	Enables or disables AERtrim warning messages.
33	O2 Trim ID	Displays 4 digit AERtrim ID number. Pre-populated on all units. Changes each time the unit is powered up.
34	Fixed ID	Displays the unit’s fixed 4 digit ID number. Pre-populated on all units. Does not change.
35	O2 Trim Key	Displays the value of the AERtrim 4 digit license key. Pre-populated on all units.
36	O2 Trim Menu	When set to Enabled, the AERtrim menu options appears.
37	BST Menu	When set to Enabled, the BST menu options appears.

## TABLE A-4: TUNING MENU ITEM DESCRIPTIONS

See section 2-7 TUNING Menu for a range of choices and the default values.

TABLE A-4: TUNING MENU ITEM DESCRIPTIONS			
MENU OPTIONS		DESCRIPTION	
1	Prop Band	Generates a fire rate based on the error that exists between the setpoint temperature and the actual outlet temperature. If the actual error is less than the proportional band setting (1°F to 120°F, 0.55°C to 66°C), the fire rate will be less than 100%. If the error is equal to or greater than the proportional band setting, the fire rate will be 100%.	
2	Integral Gain	This sets the fraction of the output, due to setpoint error, to add or subtract from the output each minute to move towards the setpoint. Gain is adjustable from 0.00 to 1.00 (Default is 1.0).	
3	Derivative Time	This value (0.0 to 2.0 min.) responds to the rate of change of the setpoint error. This is the time that this action advances the output.	
<p><b>Warmup</b> – The feature embodied in menu items 4, 5 and 6 eliminates Temperature Overshoots during the “Warmup” period of a cold ignition cycle on all boilers by temporarily modifying the PID Gain parameter during warmup and for a period defined in the <i>Tuning</i> menu.</p>			
4	Warmup Prop Band	Range = 1 – 120°F (0.55°C to 66°C)	Default = 95 (52°C)
5	Warmup Int Gain	Range = 0.00 – 2.00	Default = .50
6	Warmup PID Timer	Range = 0 - 240 seconds	Default = 20 seconds
7	Reset Defaults?	Allows <i>Tuning</i> menu options to be reset to their Factory Default values.	

**TABLE A-5: COMBUSTION CALIBRATION MENU ITEM DESCRIPTIONS**

See section 2-8 COMBUSTION CAL Menu for a range of choices and the default values.

**NOTE:**

The Level 2 Password must be entered to view the options in the *Combustion Cal* menu. This Menu is used during the Combustion Calibration procedures described in Section 4 of the *Benchmark 750 – 3000 Installation and Startup Guide*, OMM-0121 (GF-205).

**TABLE A-5: COMBUSTION CAL MENU ITEM DESCRIPTIONS**

MENU OPTION		DESCRIPTION
1	CAL Voltage:	Displays the default DC drive voltage provided to the blower at each Air/Fuel Valve position (Items 1 – 6). This drive voltage adjusts the rotational speed of the blower to maximize combustion efficiency.
	BMK 750 = 18%	
	BMK 1000 = 18%	
	BMK 1500 = 16%	
	BMK 2000 = 18%	
	BMK 2500 = 16%	
2	CAL Voltage 30%	
3	CAL Voltage 40%	
4	CAL Voltage 50%	
5	CAL Voltage 70%	
6	CAL Voltage 100%	
7	Set Valve Position	Permits selection of the Air/Fuel Valve position (% open) to be set from 0 to 100%.
8	Blower Output	Permits the DC drive voltage to the blower to be monitored.
9	Set Stby V out	Permits the Standby Voltage to be set from 0 to 4.00 Volts.
10	Oxygen Level	Permits the combustion oxygen level to be displayed (0% to 25%)



**TABLE A-6: CALIBRATION MENU ITEM DESCRIPTIONS**

See section 2-10 CALIBRATION Menu for a range of choices and the default values.

TABLE A-6: CALIBRATION MENU ITEM DESCRIPTIONS		
MENU OPTION		DESCRIPTION
1	Stepper Fbk	Allows the Air/Fuel Valve stepper motor feedback current to be calibrated at the 0% (fully closed) and 100% (fully open) positions. Verification can also be accomplished at the 50% position.
2	Purge Timer	Allows adjustment of the pre-ignition purge time.
3	Post Purge Timer	Allows adjustment of the purge time when a unit shuts down.
4	IGN Position	Allows adjustment of the valve position (Fire Rate) during the ignition sequence.
5	Ign Pos Hold Tmr	
6	FFWD Temp Dsply	Enabled or Disabled.
7	Outlet Tmp Dsply	Enabled or Disabled.
8	Inlet Tmp Dsply	Enabled or Disabled.
9	Valv Pos Out Dsp	Enabled or Disabled.
10	Exhaust Tmp Dsp	Enabled or Disabled.
11	Exhaust Safety	
12	Flue Material	
13	Exhst Fault Temp	
14	Exhst Module Temp	
15	Exhst Warn Temp	
16	Exhst Tmp VP Adj	
17	Exhst Adj Rate	
18	VP Change Rate	
19	VP Up Rate	Allows adjustment of the Valve Position (Fire Rate) increase rate when raising the Valve Position. VP Up Rate is defined as Seconds per Step.
20	VP Down Rate	Allows adjustment of the Valve Position (Fire Rate) decrease rate when lowering the Valve Position. VP Down Rate is defined as Seconds per Step.
21	Purge Blwr Offst	Allows adjustment of the blower speed (Blower Output Voltage) during the Purge cycle.
22	4-20mA Purge Pct	Allows adjustment of the blower speed (Blower Output Voltage) during the Purge cycle when using an Emerson VFD Drive to control the Blower Motor.
23	PWM In Adj	Allows the Pulse Width Modulation (PWM) duty cycle to be adjusted from -5.0% to +5.0% in 0.1% increments.
24	Analog In Adj	Allows adjustment of the analog input from -5.0% to +5.0%.
25	Flow In Adj	Allows adjustment of the water Flow Rate Input from -5.0% to +5.0%.

APPENDIX A: BOILER MENU DESCRIPTIONS

<b>TABLE A-6: CALIBRATION MENU ITEM DESCRIPTIONS</b>		
<b>MENU OPTION</b>		<b>DESCRIPTION</b>
<b>26</b>	Supply Gas Pressure In Adj	Allows adjustment of the Supply Gas Pressure level from -5.0% to +5.0% in 0.1 % increments.
<b>27</b>	Gas Plate dp In Adj	Allows adjustment of the Gas Plate dp level from -5.0% to +5.0% in 0.1% increments.
<b>28</b>	mA Out Adj	Allows adjustment of the milliamp output from -5.0 mA to +5.0 mA.
<b>29</b>	A/F Sensitivity	Allows adjustment of the Air/Fuel (A/F) Valve stepper motor sensitivity to be adjusted from 1% to 5% in 1% increments.
<b>30</b>	Power Reset	Allows the Power Reset Option to be set to AUTO or MANUAL.
<b>31</b>	Water Temp Reset	Allows the Water Temperature Reset function to be set to AUTO or MANUAL.
<b>32</b>	Gas Press Reset	Allows the Gas Pressure Reset function to be set to AUTO or MANUAL.
<b>33</b>	Min Off Time	Allows the minimum Off time to be set from 0 to 10 minutes.
<b>34</b>	Heatr Tuning Dsp	Allows Heater Tuning Display to be Enabled or Disabled.
<b>35</b>	Heatr Bkpt Dsp	Allows Heater Breakpoint Display to be Enabled or Disabled. When Enabled, Breakpoints can be viewed and/or changed.
<b>36</b>	Stop Level	Allows the Stop Level to be set to a valve position ranging from 0% to the presently set Start Level.
<b>37</b>	Start Level	Allows the Start Level to be set to a valve position ranging from the presently set Stop Level to a maximum of 40%.
<b>SKIP FEATURE:</b>		
Items 39 – 41 embody a feature that allows the user to define a Fire Zone the C-More will avoid. In the rare instance when a unit emits an objectionable noise at a certain Fire Rate and no other remedy solves the problem, a Fire Rate skip zone may be defined to command the C-More to Skip-Over the defined Fire Rate.		
<b>38</b>	– Skip Range CNTR	Defines the Center (Fire Rate) of the skip band.
<b>39</b>	– Skip Range Span	Defines the + and – band of the Skip Zone Size.
<b>40</b>	– Skip Speed	Defines the speed (Seconds/Fire Rate) at which the band will be skipped.
<b>O2 Settings:</b>		
Items 42 – 44 allow calibration of oxygen readings.		
<b>41</b>	– O2 Gain	Range = 0.5 to 1.5. (Unity Gain, No Mods)
<b>42</b>	– O2 Offset	Range = -3.0 to +3.0.
<b>43</b>	– O2 Sensor	Enables the O2 Sensor
<b>44</b>	Cal Temp Sensors	Allows calibration of the temperature sensor
<b>Temperature Channel Offset:</b>		
Items 46 – 51 embody the feature, which allow the user to field calibrate all six temperature channels by entering an offset corresponding to the desired temperature channel.		
<b>45</b>	– FFWD Temp Offset	Range: -20 to + 20 (either °F or °C)

APPENDIX A: BOILER MENU DESCRIPTIONS

TABLE A-6: CALIBRATION MENU ITEM DESCRIPTIONS		
MENU OPTION		DESCRIPTION
46	– Exhst Tmp Offset	Range: -20 to + 20 (either °F or °C)
47	– Outdr Air Offset	Range: -20 to + 20 (either °F or °C)
48	– Inlet Air Offset	Range: -20 to + 20 (either °F or °C)
49	– Inlet Wtr Offset	Range: -20 to + 20 (either °F or °C)
50	– Outlet Wtr Offset	Range: -20 to + 20 (either °F or °C)
51	24 hr Max Cycles	
52	24 hr Max Ovrtemp	
53	0-10v Out Test	
54	Spark Monitor	Enables or disables the Spark Monitor function, which displays the AC current on the input of the Ignition Transformer.
56	Min Spark Amps	Allows the adjustment of the minimum spark current required at the spark transformer input.
56	Max Spark Amps	Allows the adjustment of the maximum spark current required at the spark transformer input.

(This page intentionally blank)

## Appendix B: STARTUP, STATUS, & FAULT MESSAGES

### TABLE B-1: STARTUP AND STATUS MESSAGES

TABLE B-1: STARTUP AND STATUS MESSAGES	
MESSAGE	DESCRIPTION
DEMAND DELAY XX sec	Displayed if Demand Delay is active.
DISABLED HH:MM pm, pm MM/DD/YY	Displayed if ON/OFF switch is set to <b>OFF</b> . The display also shows the time (am or pm) and date that the unit was disabled.
FLAME PROVEN	Displayed after flame has been detected for a period of 2 seconds. Initially, the flame strength is shown in %. After 5 seconds has elapsed, the time and date are shown in place of flame strength.
IGNITION TRIAL XX sec	Displayed during ignition trial of startup sequence. The duration of cycle counts up in seconds.
PURGING XX sec	Displayed during the purge cycle during startup. The duration of the purge cycle counts up in seconds.
STANDBY	Displayed when ON/OFF switch is in the <b>ON</b> position, but there is no demand for heat. The time and date are also displayed.
WAIT	Prompts the operator to wait.
WARMUP XX sec	Displayed for 2 minutes during the initial warm-up only.

## TABLE B-2: FAULT MESSAGES

TABLE B-2: FAULT MESSAGES	
FAULT MESSAGE	FAULT DESCRIPTION
AIRFLOW FAULT DURING PURGE	The Blower Proof switch opened during purge, or air inlet is blocked.
AIRFLOW FAULT DURING IGN	The Blower Proof switch opened during ignition.
AIRFLOW FAULT DURING RUN	The Blower Proof switch opened during run.
DELAYED INTERLOCK OPEN	The Delayed Interlock is open.
DIRECT DRIVE SIGNAL FAULT	The direct drive signal is not present or is out of range.
FFWD TEMP SENSOR FAULT	The temperature measured by the Feed Forward (FFWD) Sensor is out of range.
FLAME LOSS DURING IGN	The Flame signal was not seen during ignition or lost within 5 seconds after ignition.
FLAME LOSS DURING RUN	The Flame signal was lost during run.
HEAT DEMAND FAILURE	The Heat Demand Relays on the Ignition board failed to activate when commanded.
HIGH EXHAUST TEMPERATURE	The Exhaust Temperature has exceeded 200°F (93.3°C).
GAS PRESSURE FAULT	The High Gas Pressure Limit switch is open or the Low Gas Pressure Limit switch is open.
HIGH WATER TEMPERATURE	The temperature measured by the Outlet Sensor exceeded the Temp Hi Limit setting.
HIGH WATER TEMP SWITCH OPEN	The High Water Temperature Limit switch is open.
IGN BOARD COMM FAULT	A communication fault has occurred between the PMC board and Ignition board.
IGN SWTCH CLOSED DURING PURGE	The Ignition Position Limit switch on the Air/Fuel Valve closed during purge.
IGN SWTCH OPEN DURING IGNITION	The Ignition Position Limit switch on the Air/Fuel Valve opened during ignition.
INTERLOCK OPEN	The Remote Interlock is open.
LINE VOLTAGE OUT OF PHASE	The Line (Hot) and Neutral wires are reversed.
LOW WATER	The Low Water Cutoff board is indicating low water level.

TABLE B-2: FAULT MESSAGES	
FAULT MESSAGE	FAULT DESCRIPTION
LEVEL	
NETWORK COMM FAULT	The RS-485 network information is not present or is corrupted.
O <sub>2</sub> % OUT OF RANGE	The O <sub>2</sub> % has gone below 3% or above 8%.
OUTDOOR TEMP SENSOR FAULT	The temperature measured by the Outdoor Air Sensor is out of range.
OUTLET TEMP SENSOR FAULT	The temperature measured by the Outlet Sensor is out of range: <ul style="list-style-type: none"> <li>• <b>OUTLET TEMPERATURE display = SHt Indicates sensor is shorted</b></li> <li>• <b>OUTLET TEMPERATURE display = Opn indicates sensor is open-circuited</b></li> </ul>
PRG SWTCH CLOSED DURING IGNITION	The Purge Position Limit switch on the Air/Fuel Valve closed during ignition.
PRG SWTCH OPEN DURING PURGE	The Purge Position Limit switch on the Air/Fuel Valve opened during purge.
REMOTE SETPT SIGNAL FAULT	The Remote Setpoint signal is not present or is out of range.
RESIDUAL FLAME	The Flame signal was seen for more than 60 seconds during standby.
SSOV SWITCH OPEN	The SSOV switch opened during standby.
SSOV FAULT DURING PURGE	The SSOV switch opened dug purge.
SSOV FAULT DURING IGN	The SSOV switch closed or failed to open during ignition.
SSOV FAULT DURING RUN	The SSOV switch closed for more than 15 seconds during run.
SSOV RELAY FAILURE	A failure has been detected in one of the relays that control the SSOV.
STEPPER MOTOR FAILURE	The Stepper Motor failed to move the Air/Fuel Valve to the desired position.

(This page intentionally blank)



## Appendix C: SENSOR RESISTANCE/VOLTAGE CHART

TEMPERATURE SENSOR RESISTANCE VOLTAGE CHART (BALCO)			
TEMPERATURE		RES (OHMS)	VOLTS*
°F	°C		
-40	-40	779.0	1.93
-30	-34.4	797.5	1.96
-20	-28.9	816.3	1.99
-10	-23.3	835.4	2.02
0	-17.2	854.8	2.05
10	-12.2	874.6	2.07
20	-6.7	894.7	2.10
30	-1.1	915.1	2.12
40	4.4	935.9	2.15
50	10	956.9	2.17
60	15.5	978.3	2.20
70	21.1	1000.0	2.23
80	26.7	1022.0	2.25
90	32.2	1044.4	2.27
100	37.8	1067.0	2.30
110	43.3	1090.0	2.32
120	48.9	1113.3	2.34
130	54.4	1137.0	2.36
140	60	1160.9	2.39
150	65.6	1185.2	2.41
160	71.1	1209.5	2.43
170	76.7	1234.7	2.45
180	82.2	1260.0	2.47
190	87.8	1285.6	2.50
200	93.3	1311.4	2.52
210	98.9	1337.7	2.54
220	104.4	1364.2	2.56
230	110	1391.0	2.58
240	115.6	1418.2	
250	121.1	1445.7	

(This page intentionally blank)

# Appendix D: RECOMMENDED PERIODIC TESTING

**WARNING!**  
 Periodic testing of all boiler controls and safety devices is required to determine that they are operating as designed. Precautions shall be taken while tests are being performed to protect against bodily injury and property damage. The owner or user of an automatic boiler system should set up a formal system of periodic preventive maintenance and testing. Tests should be conducted on a regular basis and the results recorded in a log-book.

## RECOMMENDED PERIODIC TESTING

ITEM	FREQUENCY	ACTION BY	REMARKS
<b>NOTE: Refer to indicated sections of this manual and the <i>Benchmark 750 – 3000 Installation and Startup Guide OMM-0121 (GF-205)</i> for detailed procedures.</b>			
Gauges, monitors and indicators	Daily	Operator	Visual inspection and record readings in operator log
Instrument and equipment settings	Daily	Operator	Visual check against factory recommended specifications
	Weekly	Operator	Verify factory settings
Firing Rate Control	Semi-Annually	Service Technician	Verify factory settings
	Annually	Service Technician	Check with combustion calibration test equipment (see Section 4 of the <i>Benchmark 750 – 3000 Installation and Startup Guide, OMM-0121 (GF-205)</i> ), and the O <sub>2</sub> sensor in Section 4.4 of this guide.
Flue, vent, stack or intake air duct	Monthly	Operator	Visually inspection condition and check for obstructions
Spark Igniter-Injector	Weekly	Operator	See Section 4.2.
Air/Fuel Valve position	Weekly	Operator	Check position indicator dial. See Section 3.2 in the <i>Benchmark 750 – 3000 Installation and Startup Guide, OMM-0121 (GF-205)</i> .
SSOV Leakage test	Annually	Service Technician	Check for leakage in accordance with the SSOV manufacturer's (Siemens) recommendations.
Flame failure	Weekly	Operator	Close manual gas shutoff valve and check safety shutdown. See Section 5.7 in the <i>Benchmark 750 – 3000 Installation and Startup Guide, OMM-0121 (GF-205)</i> .
Flame signal strength	Weekly	Operator	Check flame strength using the C-More Controller's <i>Operating</i> menu (see section 2.4).
Low water level cut off and alarm	Weekly	Operator	See section 5.4 in the <i>Benchmark 750 – 3000 Installation and Startup Guide, OMM-0121 (GF-205)</i> .
Slow drain test	Semi-Annually	Operator	Perform a slow drain test in accordance with ASME Boiler and Pressure Vessel Code, Section IV.

**APPENDIX D – RECOMMENDED PERIODIC TESTING**

<b>RECOMMENDED PERIODIC TESTING</b>			
<b>ITEM</b>	<b>FREQUENCY</b>	<b>ACTION BY</b>	<b>REMARKS</b>
High water temp. safety control test	Annually	Service Technician	See section 5.5 in the <i>Benchmark 750 – 3000 Installation and Startup Guide</i> , OMM-0121 (GF-205).
Operating controls	Annually	Operator	See section 2.2.
Low air flow	Monthly	Operator	See section 5.8 in the <i>Benchmark 750 – 3000 Installation and Startup Guide</i> , OMM-0121 (GF-205).
High and low gas pressure interlocks	Monthly	Operator	See sections 5.2 and 5.3 in the <i>Benchmark 750 – 3000 Installation and Startup Guide</i> , OMM-0121 (GF-205).
Air/Fuel Valve purge position switch	Annually	Service Technician	See section 5.10 in the <i>Benchmark 750 – 3000 Installation and Startup Guide</i> , OMM-0121 (GF-205).
Air/Fuel Valve ignition position switch	Annually	Service Technician	See section 5.11 in the <i>Benchmark 750 – 3000 Installation and Startup Guide</i> , OMM-0121 (GF-205).
Safety valves	As required	Operator	Check per A.S.M.E. Boiler and Pressure Vessel Code, Section IV.
Inspect burner components	Semi-Annually	Service Technician	See section 4.6.
Condensate Trap	Semi-Annually	Operator	See section 4.7.
Oxygen (O <sub>2</sub> ) Level	Monthly	Operator	Verify oxygen level is between 3% and 8% during boiler operation.

## Appendix E: INDOOR/OUTDOOR RESET RATIO CHARTS

Header Temperature for a Building Reference Temperature = 50°F											
Air Temp		RESET RATIO									
		0.6	0.8	1.0	1.2	1.4	1.6	1.8	2.0	2.2	2.4
°F	°C										
50	10.0	50	50	50	50	50	50	50	50	50	50
45	7.2	53	54	55	56	57	58	59	60	60	62
40	4.4	56	58	60	62	64	66	68	70	72	74
35	1.7	59	62	65	68	71	74	77	80	83	86
30	-1.1	62	66	70	74	78	82	86	90	94	98
25	-3.9	65	70	75	80	85	90	95	100	105	110
20	-6.7	68	74	80	86	92	98	104	110	116	122
15	-9.4	71	78	85	92	99	106	113	120	127	134
10	-12.2	74	82	90	98	106	114	122	130	138	146
5	-15.0	77	86	95	104	113	122	131	140	149	158
0	-17.8	80	90	100	110	120	130	140	150	160	170
-5	-20.6	83	94	105	116	127	138	149	160	171	182
-10	-23.3	86	98	110	122	134	146	158	170	182	194
-15	-26.1	89	102	115	128	141	154	167	180	193	206
-20	-28.9	92	106	120	134	148	162	176	190	204	218

Header Temperature for a Building Reference Temperature = 60°F											
Air Temp		RESET RATIO									
		0.6	0.8	1.0	1.2	1.4	1.6	1.8	2.0	2.2	2.4
°F	°C										
60	15.6	60	60	60	60	60	60	60	60	60	60
55	12.8	63	64	65	66	67	68	69	70	71	72
50	10.0	66	68	70	72	74	76	78	80	82	84
45	7.2	69	72	75	78	81	84	87	90	93	96
40	4.4	72	76	80	84	88	92	96	100	104	108
35	1.7	75	80	85	90	95	100	105	110	115	120
30	-1.1	78	84	90	96	102	108	114	120	126	132
25	-3.9	81	88	95	102	109	116	123	130	137	144
20	-6.7	84	92	100	108	116	124	132	140	148	156
15	-9.4	87	96	105	114	123	132	141	150	159	168
10	-12.2	90	100	110	120	130	140	150	160	170	180
5	-15.0	93	104	115	126	137	148	159	170	181	192
0	-17.8	96	108	120	132	144	156	168	180	192	204
-5	-20.6	99	112	125	138	151	164	177	190	203	216
-10	-23.3	102	116	130	144	158	172	186	200	214	
-15	-26.1	105	120	135	150	165	180	195	210		
-20	-28.9	108	124	140	156	172	188	204			

APPENDIX E: INDOOR/OUTDOOR RESET RATIO CHARTS

Header Temperature for a Building Reference Temperature = 65°F											
Air Temp		RESET RATIO									
		0.6	0.8	1.0	1.2	1.4	1.6	1.8	2.0	2.2	2.4
°F	°C										
65	18.3	65	65	65	65	65	65	65	65	65	65
60	15.6	68	69	70	71	72	73	74	75	76	77
55	12.8	71	73	75	77	79	81	83	85	87	89
50	10.0	74	77	80	83	86	89	92	95	98	101
45	7.2	77	81	85	89	93	97	101	105	109	113
40	4.4	80	85	90	95	100	105	110	115	120	125
35	1.7	83	89	95	101	107	113	119	125	131	137
30	-1.1	86	93	100	107	114	121	128	135	142	149
25	-3.9	89	97	105	113	121	129	137	145	153	161
20	-6.7	92	101	110	119	128	137	146	155	164	173
15	-9.4	95	105	115	125	135	145	155	165	175	185
10	-12.2	98	109	120	131	142	153	164	175	186	197
5	-15.0	101	113	125	137	149	161	173	185	197	209
0	-17.8	104	117	130	143	156	169	182	195	208	
-5	-20.6	107	121	135	149	163	177	191	205	219	
-10	-23.3	110	125	140	155	170	185	200	215		
-15	-26.1	113	129	145	161	177	193	209			
-20	-28.9	116	133	150	167	201	218				

Header Temperature for a Building Reference Temperature = 70°F											
Air Temp		RESET RATIO									
		0.6	0.8	1.0	1.2	1.4	1.6	1.8	2.0	2.2	2.4
°F	°C										
70	21.1	70	70	70	70	70	70	70	70	70	70
65	18.3	73	74	75	76	77	78	79	80	81	82
60	15.6	76	78	80	82	84	86	88	90	92	94
55	12.8	79	82	85	88	91	94	97	100	103	106
50	10.0	82	86	90	94	98	102	106	110	114	118
45	7.2	85	90	95	100	105	110	115	120	125	130
40	4.4	88	94	100	106	112	118	124	130	136	142
35	1.7	91	98	105	112	119	126	133	140	147	154
30	-1.1	94	102	110	118	126	134	142	150	158	166
25	-3.9	97	106	115	124	133	142	151	160	169	178
20	-6.7	100	110	120	130	140	150	160	170	180	190
15	-9.4	103	114	125	136	147	158	169	180	191	202
10	-12.2	106	118	130	142	154	166	178	190	202	214
5	-15.0	109	122	135	148	161	174	187	200	213	
0	-17.8	112	126	140	154	168	182	196	210		
-5	-20.6	115	130	145	160	175	190	205			
-10	-23.3	118	134	150	166	182	198	214			
-15	-26.1	121	138	155	172	189	206				
-20	-28.9	124	142	160	178	196	214				

APPENDIX E: INDOOR/OUTDOOR RESET RATIO CHARTS

**Header Temperature for a Building Reference Temperature = 75°F**

Air Temp		RESET RATIO									
		0.6	0.8	1.0	1.2	1.4	1.6	1.8	2.0	2.2	2.4
°F	°C										
75	23.9	75	75	75	75	75	75	75	75	75	75
70	21.1	78	79	80	81	82	83	84	85	86	87
65	18.3	81	83	85	87	89	91	93	95	97	99
60	15.6	84	87	90	93	96	99	102	105	108	111
55	12.8	87	91	95	99	103	107	111	115	119	123
50	10.0	90	95	100	105	110	115	120	125	130	135
45	7.2	93	99	105	111	117	123	129	135	141	147
40	4.4	96	103	110	117	124	131	138	145	152	159
35	1.7	99	107	115	123	131	139	147	155	163	171
30	-1.1	102	111	120	129	138	147	156	165	174	183
25	-3.9	105	115	125	135	145	155	165	175	185	195
20	-6.7	108	119	130	141	152	163	174	185	196	207
15	-9.4	111	123	135	147	159	171	183	195	207	219
10	-12.2	114	127	140	153	166	179	192	205	218	
5	-15.0	117	131	145	159	173	187	201	215		
0	-17.8	120	135	150	165	180	195	210			
-5	-20.6	123	139	155	171	187	203	219			
-10	-23.3	126	143	160	177	194	211				
-15	-26.1	129	147	165	183	201	219				

**Header Temperature for a Building Reference Temperature = 80°F**

Air Temp		RESET RATIO									
		0.6	0.8	1.0	1.2	1.4	1.6	1.8	2.0	2.2	2.4
°F	°C										
80	26.7	80	80	80	80	80	80	80	80	80	80
75	23.9	83	84	85	86	87	88	89	90	91	92
70	21.1	86	88	90	92	94	96	98	100	102	104
65	18.3	89	92	95	98	101	104	107	110	113	116
60	15.6	92	96	100	104	108	112	116	120	124	128
55	12.8	95	100	105	110	115	120	125	130	135	140
50	10.0	98	104	110	116	122	128	134	140	146	152
45	7.2	101	108	115	122	129	136	143	150	157	164
40	4.4	104	112	120	128	136	144	152	160	168	176
35	1.7	107	116	125	134	143	152	161	170	179	188
30	-1.1	110	120	130	140	150	160	170	180	190	200
25	-3.9	113	124	135	146	157	168	174	190	201	212
20	-6.7	116	128	140	152	164	176	188	200	212	
15	-9.4	119	132	145	158	171	184	197	210		
10	-12.2	122	136	150	164	178	192	206			
5	-15.0	125	140	155	170	185	200	215			
0	-17.8	128	144	160	176	192	208				
-5	-20.6	131	148	165	182	199	216				
-10	-23.3	134	152	170	188	206					

APPENDIX E: INDOOR/OUTDOOR RESET RATIO CHARTS

**Header Temperature for a Building Reference Temperature = 90°F**

Air Temp		RESET RATIO									
		0.6	0.8	1.0	1.2	1.4	1.6	1.8	2.0	2.2	2.4
°F	°C										
90	32.2	90	90	90	90	90	90	90	90	90	90
85	29.4	93	94	95	96	97	98	99	100	101	102
80	26.7	96	98	100	102	104	106	108	110	112	114
75	23.9	99	102	105	108	111	114	117	120	123	126
70	21.1	102	106	110	114	118	122	126	130	134	138
65	18.3	105	110	115	120	125	130	135	140	145	150
60	15.6	108	114	120	126	132	138	144	150	156	162
55	12.8	111	118	125	132	139	146	153	160	167	174
50	10.0	114	122	130	138	146	154	162	170	178	186
45	7.2	117	126	135	144	153	162	171	180	189	198
40	4.4	120	130	140	150	160	170	180	190	200	210
35	1.7	123	134	145	156	167	178	189	200		
30	-1.1	126	138	150	162	174	186	198	210		
25	-3.9	129	142	155	168	181	194	207			
20	-6.7	132	146	160	174	188	202	216			
15	-9.4	135	150	165	180	195	210				
10	-12.2	138	154	170	186	202	218				
5	-15.0	141	158	175	192	209					
0	-17.8	144	162	180	198	216					



APPENDIX F – BENCHMARK 750/1000 PART LISTS

# Appendix F: BENCHMARK 750/1000 PART LISTS

## Benchmark 750 - 1000 Parts List

Item #	Qty	Part #	Description	Item #	Qty	Part #	Description
<b>EXHAUST MANIFOLD</b>				<b>CONTROLS (Continued)</b>			
1	1	43086	MANIFOLD: EXHAUST	31	1	61002-5	BLOCKED INLET SWITCH -4.5 W.C.
2	1	84045	SEAL: EXHAUST MANIFOLD	32	1	65085	IGNITION TRANSFORMER
3	1	9-22	PIPE PLUG: 1/4" NPT: STEEL				
<b>GAS TRAIN ASSEMBLY</b>				34	1	60026	CIRCUIT BREAKER 2 POLE 20A
				35	1	64081	ECU
4	1	22140-1	STD FM GAS TRAIN ASSY	36	1	65011	TRANSFORMER 115V/24V 100VA
	1	22140-2	DBB GAS TRAIN ASSY	37	1	65109	12V POWER SUPPLY
	1	22140-3	PROPANE GAS TRAIN ASSY				
5	1	99017	SNUBBER: PRESSURE: 1/4"	38	1	69145	RAIL: DIN: 8 1/2"(21.6 cm) LG
6	1	81155	GASKET: 1 1/4" PIPE FLANGE	39	2	65120	TERMINAL BLOCK: DIN MOUNTED: BLK
7	1	61002-1	PRESSURE SWITCH: 2.6" W.C. FALL N.O.	40	2	65121	TERMINAL BLOCK: DIN MOUNTED: WHT
9	1	61002-12	HIGH GAS PRESSURE SWITCH 4.7" W.C.	41	3	65122	TERMINAL GROUND BLOCK: DIN MOUNTED
10	1	92077	1/4" NPT MXF BRASS BALL VALVE	42	2	65118	FUSE TERMINAL: DIN MOUNTED
<b>BURNER, AIR/FUEL VALVE, HEAT EXCHANGER</b>				44	1	69005	ACTUATOR, SSOV w PRESSURE REG
11	1	46026	BURNER: BMK 1.0	45	1	24327	ASSEMBLY: POWER SUPPLY COVER
12	1	24367-1	BMK 1000 A/F Valve FRU kit	46	1	63063	BENCHMARK PUMP RELAY
	1	24367-2	BMK 750 A/F Valve FRU kit	47	2	124512	FUSE: 4 AMP
13	1	24277	STAGED IGNITION ASSY	48	1	123449	SENSOR: TEMPERATURE
14	1	81143	GASKET: BURNER	49	1	44146	THERMOWELL
15	1	59171	REFLECTOR: SIGHT GLASS	50	1	33137	ELECTRICAL PANEL
16	1	59104	OBSERVATION PORT	51	1	181197	C-MORE CONTROLLER
17	1	28317	BMK 750 HEAT EXCHANGER	52	1	69151	PCB ASSY
	1	28249	BMK 1000 HEAT EXCHANGER	53	2	124326	RELAY: OMRON MY2DC24[S]
<b>HOSES &amp; INSULATION</b>				54	2	51006	CLIP: HOLD-DOWN
18	1	97005-5	TUBE: FLEXIBLE GAS 18" (45.7 cm)	55	1	63097	I/O SENSOR/COMM HARNESS
18a	1	97005-6	TUBE: FLEXIBLE GAS 24" (61 cm)	56	1	63090	TEMP LIM CONT PWR HARNESS
19	1	80080	INSULATION: SHELL	57	1	124327	HARNESS: INTERLOCK HARNESS
<b>BLOWER</b>				58	1	63182	SHELL HARNESS
20	1	58061	BMK BLOWER REPLACEMENT KIT	59	1	63147	HARNESS: WIRING: GAS TRAIN
22	1	81064	GASKET: BLOWER	60	1	65156	FLAME ROD SIGNAL AMPLIFIER
23	1	88004	O-RING #2-244 BUNA-N	61	1	61030	OUTLET TEMP SENSOR
24	1	24356-1	FLAME DETECTOR KIT	62	1	61024	AIR INLET TEMPERATURE SENSOR
25	1	61026	LEAN OXYGEN SENSOR	63	1	65104	CABLE: H.V. IGNITION
26		58023	IGNITER-INJECTOR (replacement kit)	64	1	63083	HARNESS: O2 SENSOR
27	1	59139	AIR FILTER: 6" X 4.5 (11.4 cm) LG	65	1	63085	CONTROL HARNESS: BMK 1000 & 750
<b>CONTROLS</b>				67	1	69038	ACTUATOR, SSOV w/o P.O.C. SWITCH
28	1	123966	SWITCH: OVER TEMP-AUTO RESET	68	1	GP-122774	VALVE, VENT 3/4"
29	1	123552	SWITCH: OVER TEMP-MANUAL RESET	69	1	65162	24V POWER SUPPLY (SEQUENCING VALVE)
30	1	60011-4	BLOWER PROOF SWITCH ASSY:				

❶ NOT SHOWN ON DRAWINGS BELOW

AERCO International, Inc. Blauvelt, NY 10913	<b>Benchmark 750 – 1000 Part List</b>	01/25/2017
	<b>28321-TAB rev D – 28253-TAB rev D</b>	Sheet 1 of 6

APPENDIX F – BENCHMARK 750/1000 PART LISTS

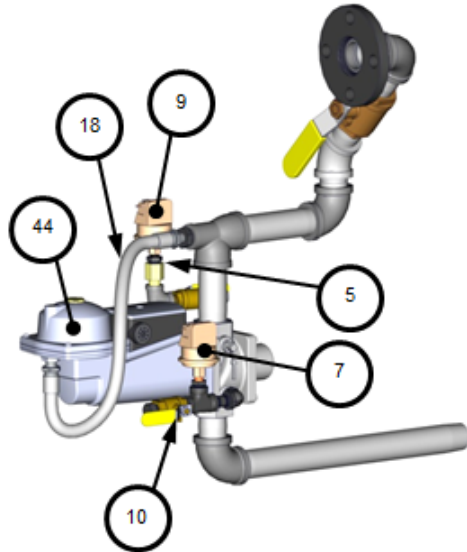
Benchmark 750 - 1000 Parts List – Continued							
Item #	Qty	Part #	Description	Item #	Qty	Part #	Description
<b>SHEET METAL/PANEL ASSEMBLY</b>				<b>OTHER ACCESSORIES / PARTS</b>			
70	1	37155	PANEL: LEFT	85	1	SEE TABLE A	3/4 " CLOSE NIPPLE
71	1	37156	PANEL: RIGHT	86 ❶	1	SEE TABLE A	PRESS./TEMP GAUGE
72	1	37154	TOP COVER ASSY	87 ❶	1	SEE TABLE A	PRESSURE RELIEF VALVE KIT
73	1	25087	FRONT FRAME ASSY.	88 ❶	1	92006-5	VALVE: BALL 1" NPT
74	1	25085-TAB	FRONT PANEL	89	1	122843	LOW WATER CUTOFF
				90	1	123863	VALVE: BALL 1/8" NPT
76	2	59179	HANDLE, CONCEALED PULL	91	1	92094	VALVE: 3/4 BOILER DRAIN MNPT x GHT
77	4	59133	LATCH: COMPRESSION				
78	1	50010	LATCH: DRAW	93 ❶	1	24441	COND. TRAP ASSEMBLY
79	1	50011	KEEPER: DRAW LATCH	94	1	59178	VENT: AIR 1/8 NPT
80	1	74039	BENCHMARK BOILER LOGO				
				100 ❶	1	92084-6	MOTORIZED SEQUENCING ISOLATION VALVE (OPTIONAL)
82	1	39217	ADAPTER: AIR INLET 6" PVC	101 ❶	1	63150	HARNES: FLAME ROD

NOTES:

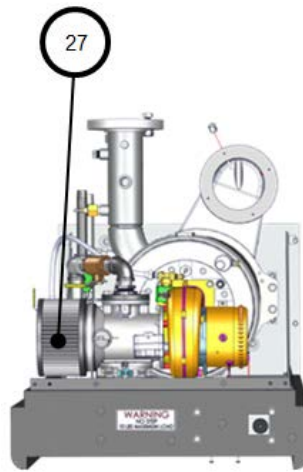
❶ NOT SHOWN ON DRAWINGS BELOW

TABLE A				
Kit Number	Description	Item 85	Item 86	Item 87
58037-1	30 PSI (207 kPa) Kit (Apollo)	9-234	123675-2	92015-361
58037-2	50 PSI (345 kPa) Kit (Conbraco)	NOT REQUIRED	123675-2	92014
58037-3	75 PSI (517 kPa) Kit (Apollo)	9-234	123675-3	92015-20
58037-4	100 PSI (689 kPa) Kit (Watts)	9-234	123675-3	92015-15
58037-5	150 PSI (1034 kPa) Kit (Watts)	9-234	123675-4	123659
58037-6	60 PSI (414 kPa) Kit (Watts)	9-234	123675-3	92015-13
58037-7	125 PSI (862 kPa) Kit (Watts)	9-234	123675-3	92015-16
58037-8	160 PSI (1103 kPa) Kit (Kunkle)	9-234	123675-4	92015-484

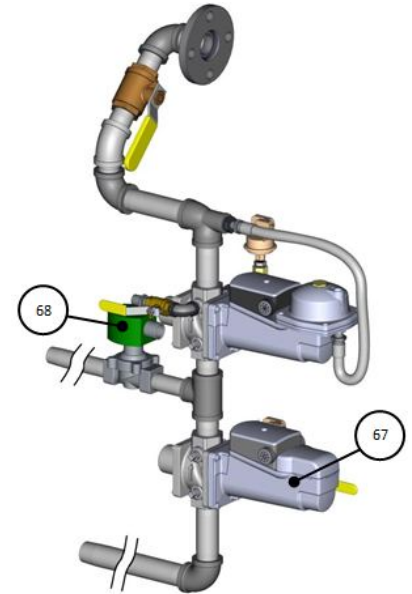
AERCO International, Inc. Blauvelt, NY 10913	<b>Benchmark 750 – 1000 Part List</b>	01/25/2017
	<b>28321-TAB rev D – 28253-TAB rev D</b>	Sheet 2 of 6



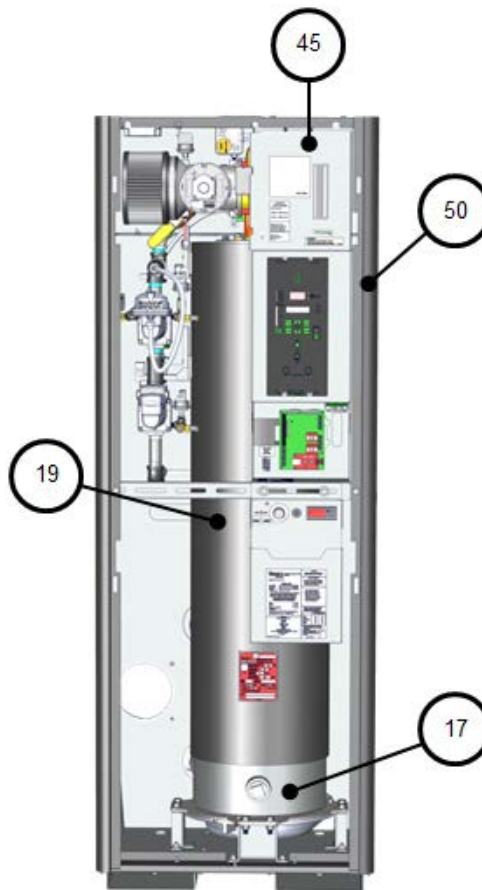
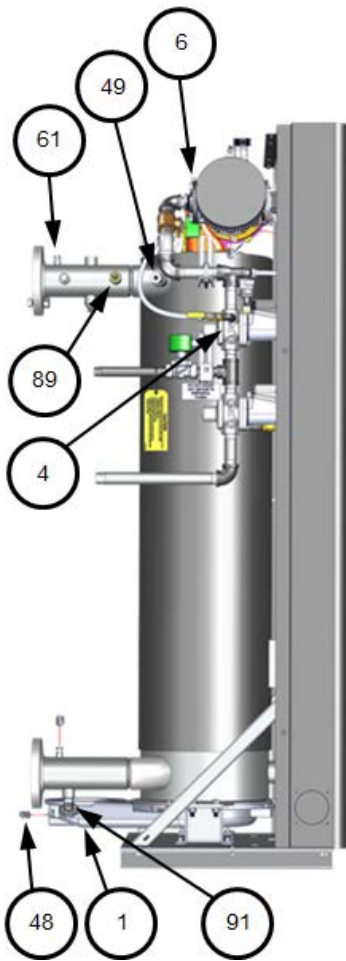
ITEM 4 – FM GAS TRAIN 22140-1



TOP VIEW



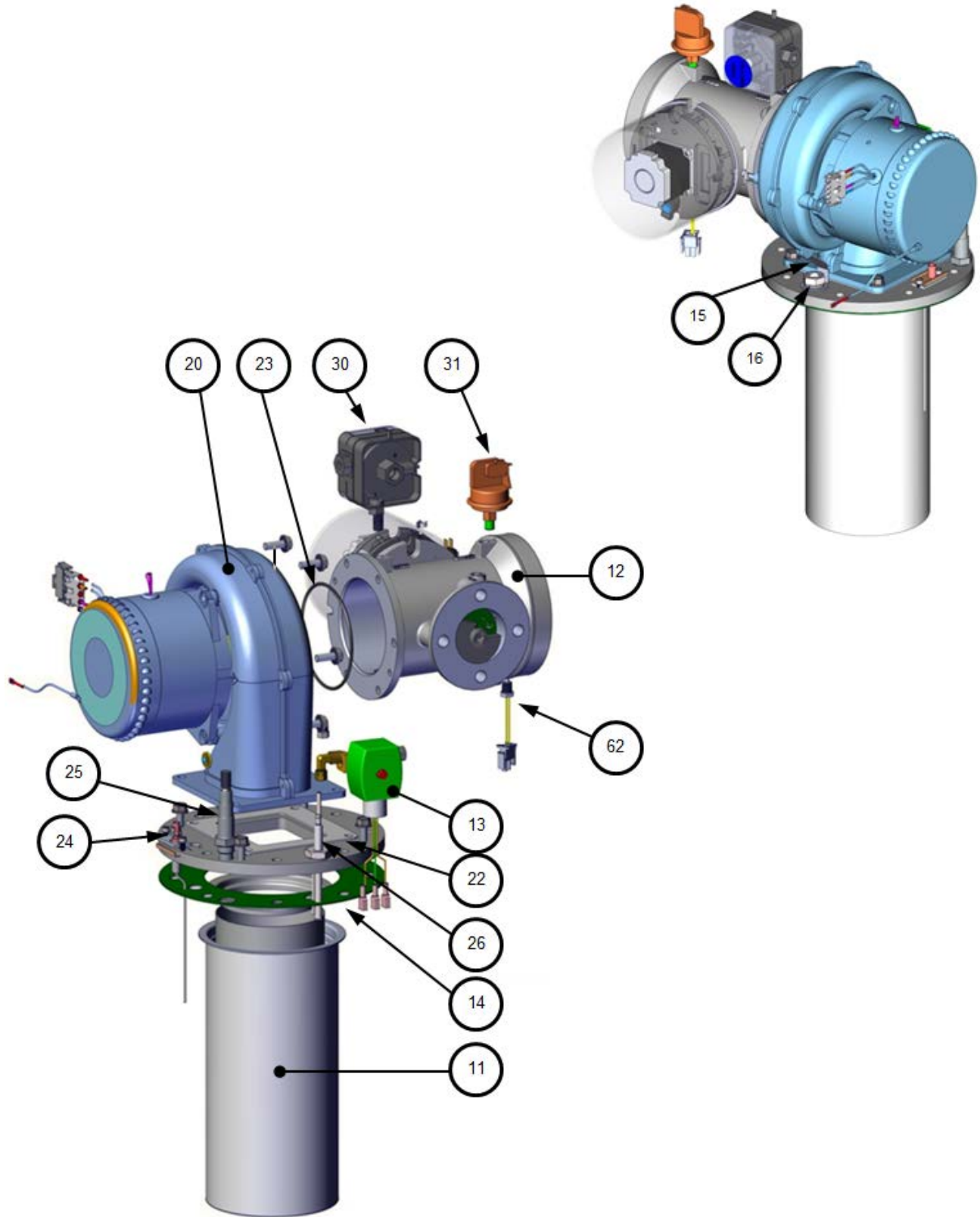
ITEM 4 – DBB GAS TRAIN 22140-2



FRONT VIEW

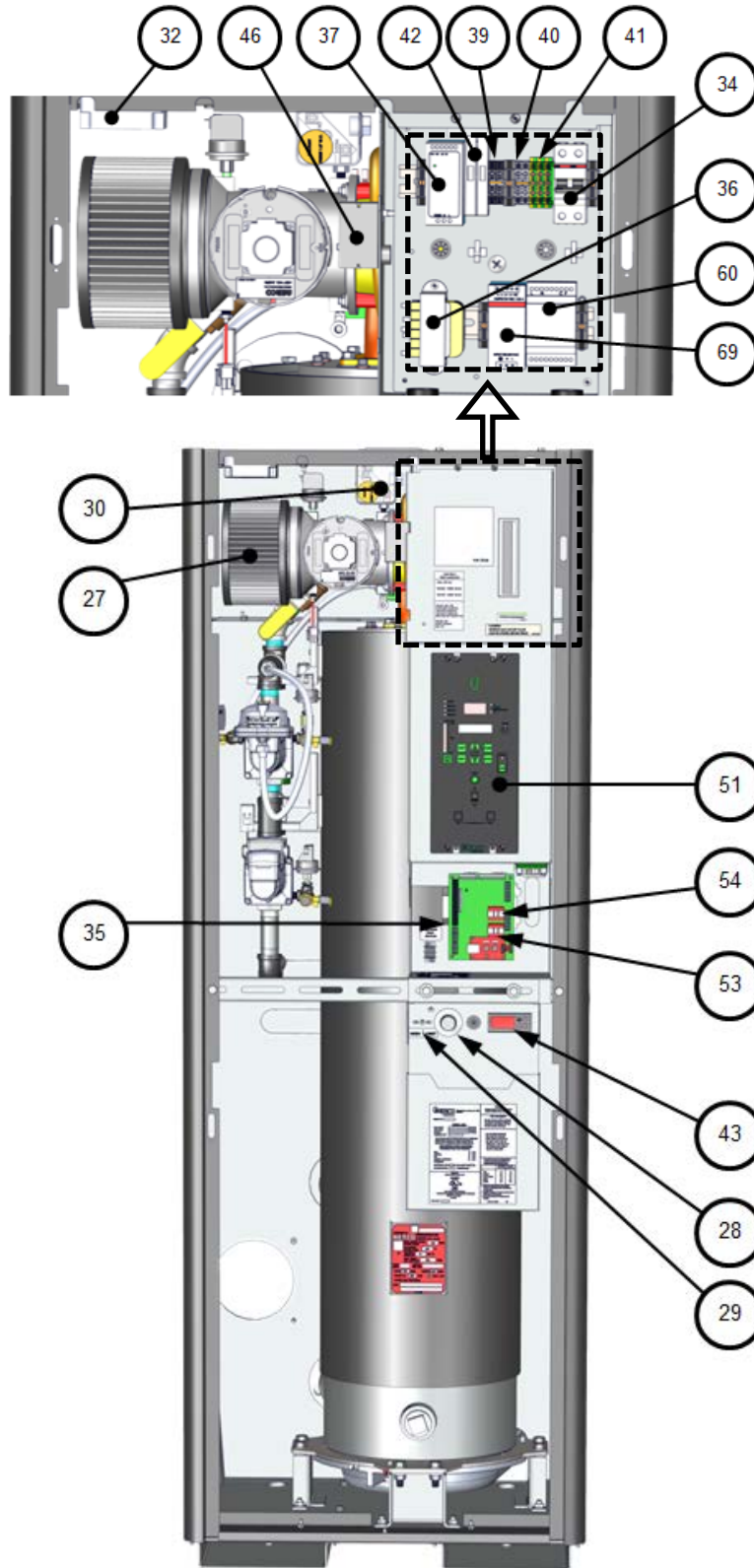


AERCO International, Inc. Blauvelt, NY 10913	<b>Benchmark 750 – 1000 Part List</b>	01/25/2017
	<b>28321-TAB rev D – 28253-TAB rev D</b>	Sheet 3 of 6



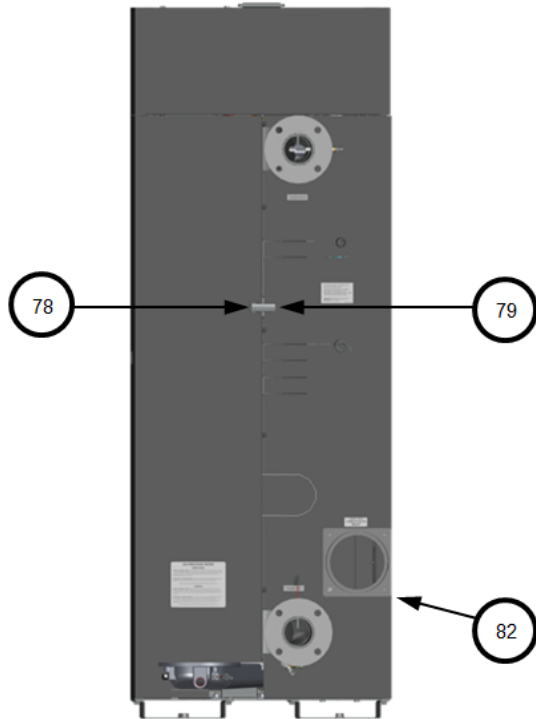
AERCO International, Inc. Blauvelt, NY 10913	<b>Benchmark 750 – 1000 Part List</b>	01/25/2017
	<b>28321-TAB rev D – 28253-TAB rev D</b>	Sheet 4 of 6

APPENDIX F – BENCHMARK 750/1000 PART LISTS

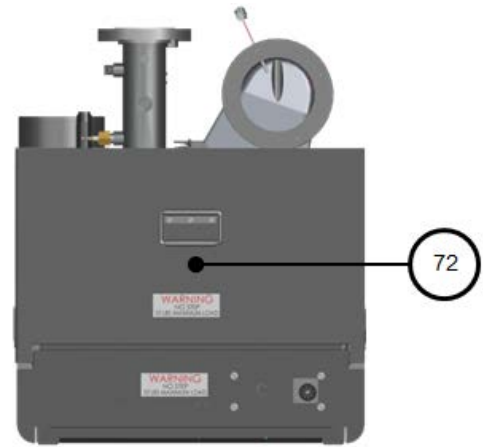


AERCO International, Inc. Blauvelt, NY 10913	<b>Benchmark 750 – 1000 Part List</b>	01/25/2017
	<b>28321-TAB rev D – 28253-TAB rev D</b>	Sheet 5 of 6

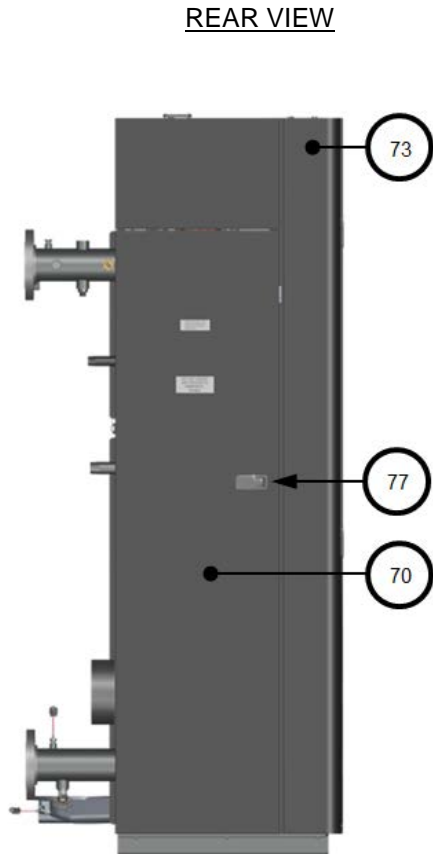
APPENDIX F – BENCHMARK 750/1000 PART LISTS



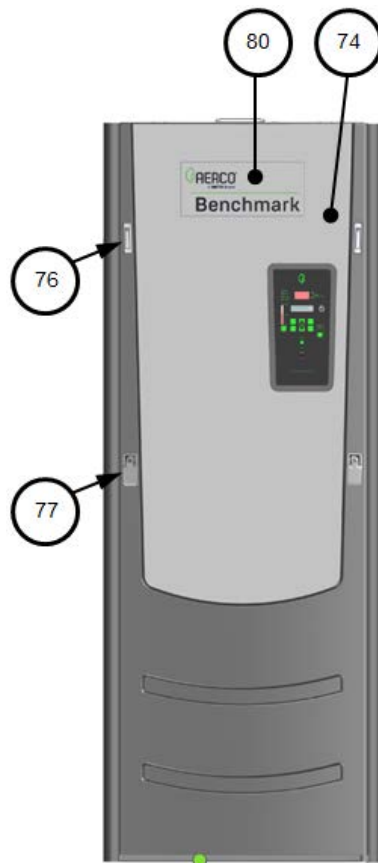
REAR VIEW



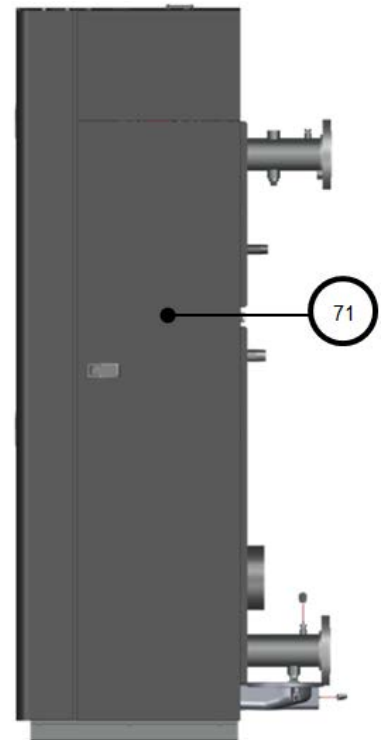
TOP VIEW



LEFT SIDE VIEW



FRONT VIEW



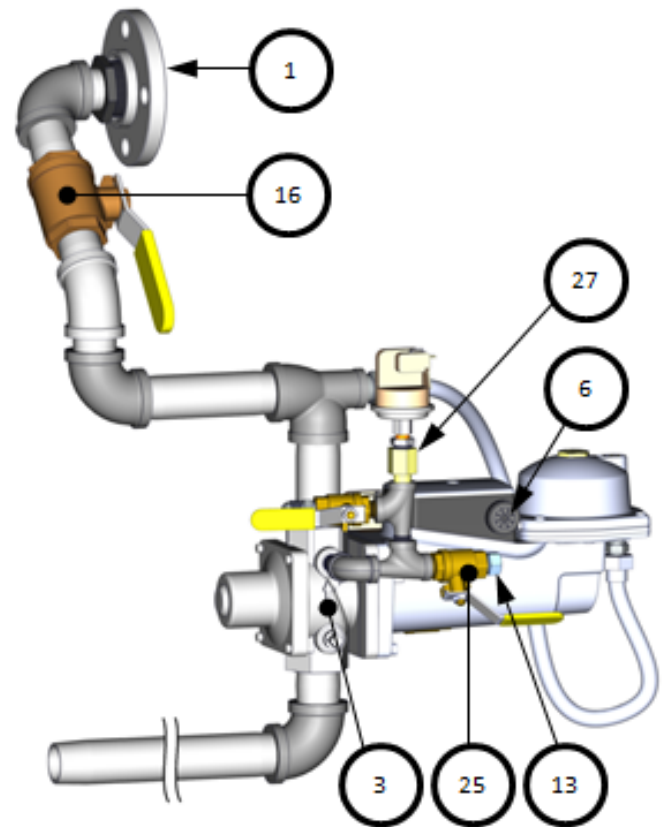
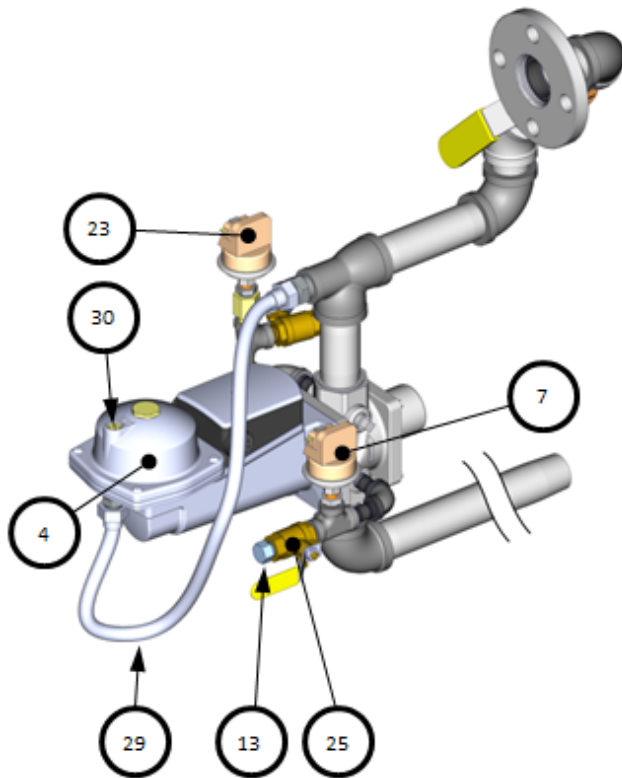
RIGHT SIDE VIEW

AERCO International, Inc. Blauvelt, NY 10913	<b>Benchmark 750 – 1000 Part List</b>	01/25/2017
	<b>28321-TAB rev D – 28253-TAB rev D</b>	Sheet 6 of 6

APPENDIX F – BENCHMARK 750/1000 PART LISTS

**Benchmark 750-1000 FM Gas Train – 22140-1 rev F**

Item	Qty	Part #	Description	Item	Qty	Part #	Description
1	1	95026	1.25"NPT 125#: THREADED FLANGE	16	1	92006-5	VALVE: BALL 1" NPT
3	1	92036	VALVE: SSOV 1" NPT	23	1	61002-12	HIGH GAS PRESSURE SWITCH 4.7" W.C.
4	1	69005	ACTUATOR: SSOV W/ REGULATOR	25	3	92077	1/4" NPT MXF BRASS BALL VALVE
6	2	12951-2	BUSHING: CONTROL BOX	27	1	99017	SNUBBER: PRESSURE: 1/4"
7	1	61002-1	LOW PRESSURE SWITCH: 2.6" W.C. FALL N.O.	29	1	97087-20	TUBE: FLEXIBLE GAS 20" (50.8 cm) LG
13	2	9-22	PIPE PLUG: 1/4" NPT: STEEL	30	1	99015	DAMPING ORIFICE: SSOV

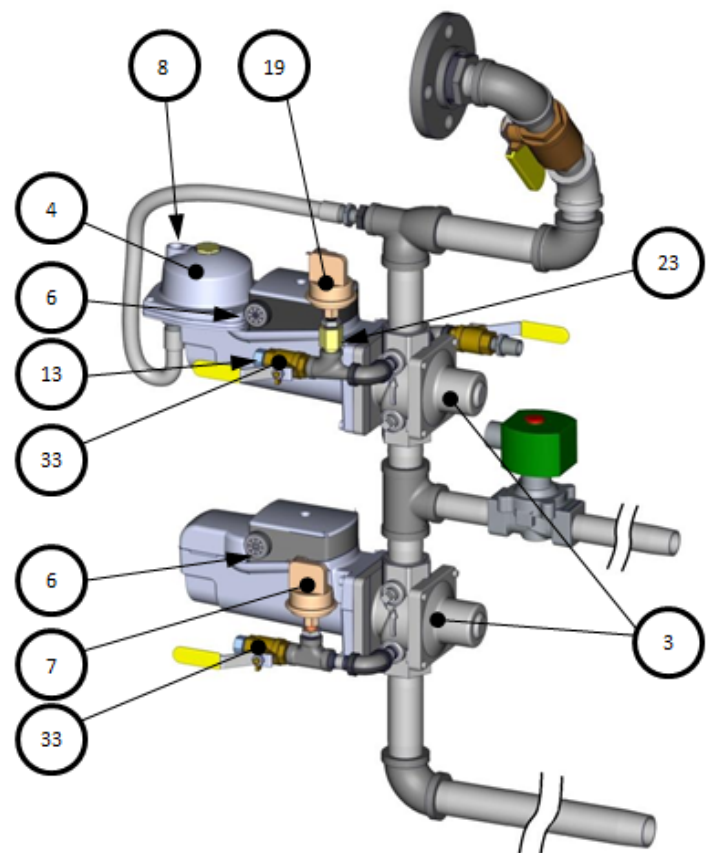
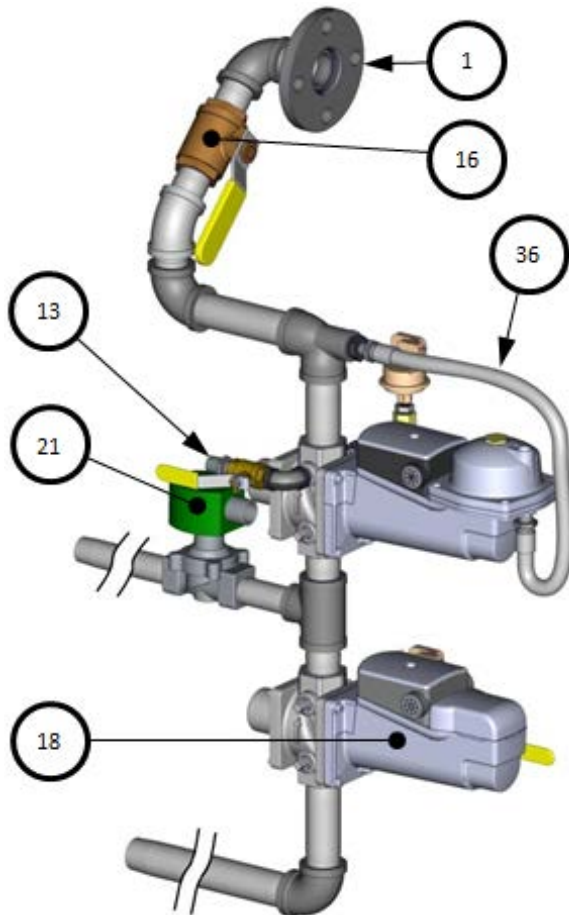


AERCO International, Inc. Blauvelt, NY 10913	<b>Benchmark 750-1000 FM Gas Train</b>	09/15/2015
	<b>22140-1 rev F</b>	Sheet 1 of 1

APPENDIX F – BENCHMARK 750/1000 PART LISTS

**Benchmark 750-1000 DBB Gas Train – 22140-2 rev E**

Item	Qty	Part #	Description	Item	Qty	Part #	Description
1	1	95026	1.25" NPT 125#: THREADED FLANGE	16	1	92006-5	VALVE: BALL 1" NPT
3	2	92036	VALVE: SSOV 1" NPT	18	1	69038	ACTUATOR: SSOV W/O P.O.C. SWITCH
4	1	69005	ACTUATOR: SSOV W/ REGULATOR	19	1	61002-12	HIGH GAS PRESSURE SWITCH 4.7" W.C.
6	4	12951-2	BUSHING: CONTROL BOX	21	1	122774	VALVE: VENT 3/4" NPT
7	1	61002-1	LOW PRESSURE SWITCH: 2.6" W.C. FALL N.O.	23	1	99017	SNUBBER: PRESSURE: 1/4"
8	1	99015	DAMPING ORIFICE: SSOV	33	3	92077	1/4" NPT MXF BRASS BALL VALVE
13	2	9-22	PIPE PLUG: 1/4" NPT: STEEL	36	1	97087-20	TUBE: FLEXIBLE GAS 20" (50.8 cm) LG



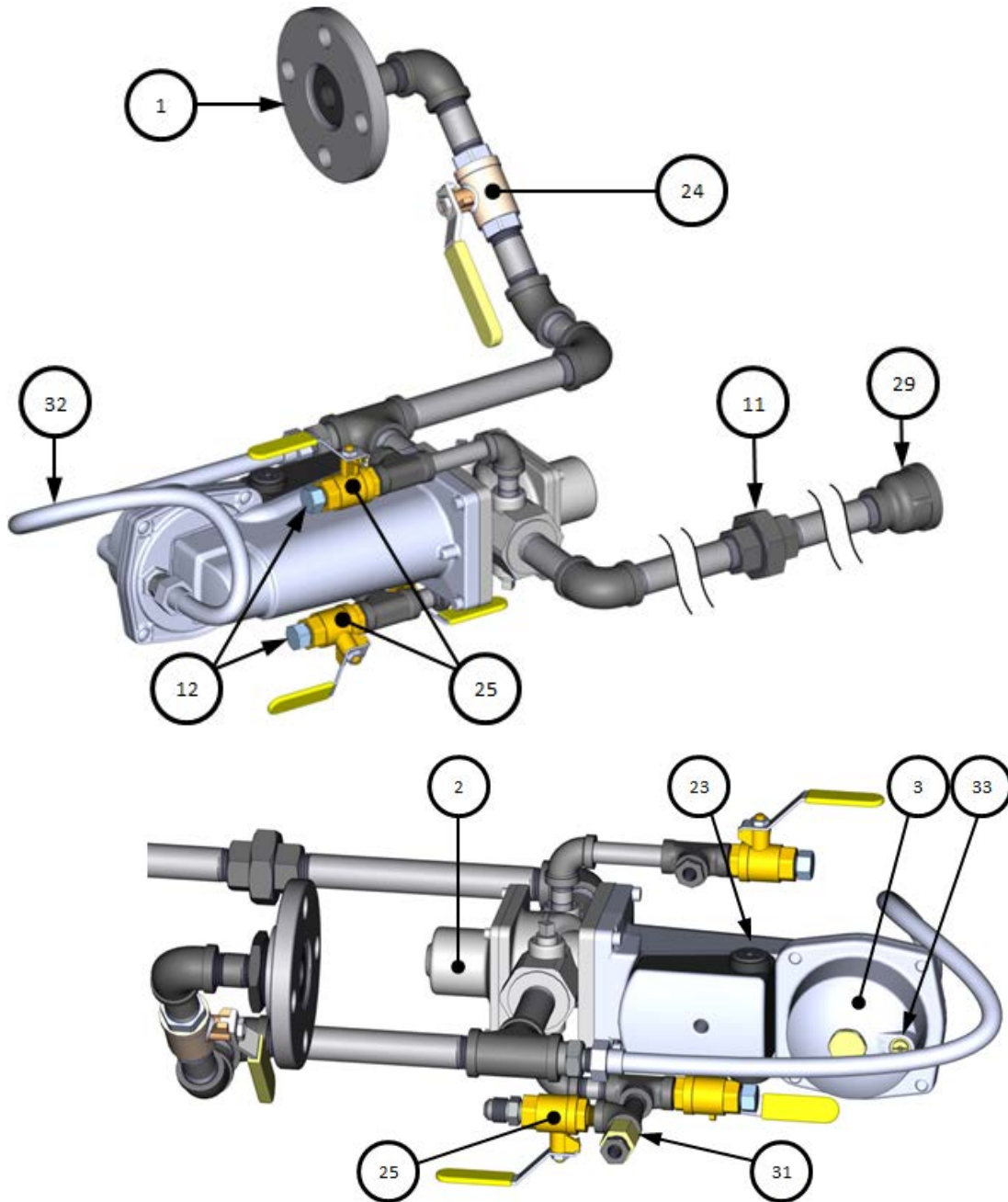
AERCO International, Inc. Blauvelt, NY 10913	<b>Benchmark 750-1000 DBB Gas Train</b>	10/15/2015
	<b>22140-2 rev E</b>	Sheet 1 of 1



APPENDIX F – BENCHMARK 750/1000 PART LISTS

**BMK 750-1000 PROPANE Gas Train – P/N 22140-3 rev G**

Item	Qty	Part #	Description	Item	Qty	Part #	Description
1	1	95026	THREADED FLANGE: 1.25" NPT 125#	24	1	92006-3	VALVE: FULL PORT BALL 1/2" NPT BRASS
2	1	92103	VALVE: SSOV 1/2" NPT	25	3	92077	1/4" NPT MXF BRASS BALL VALVE
3	1	69005	ACTUATOR: SSOV W/ REGULATOR	29	1	93474	REDUCING COUPLING 1 X 1/2"
11	1	93420	UNION 1/2" NPT FEMALE BLACK MI	31	1	99017	SNUBBER: PRESSURE: 1/4"
12	2	9-22	PIPE PLUG: 1/4" NPT: STEEL	32	1	97087-20	TUBE, FLEXIBLE GAS 20"
23	2	12951-2	BUSHING: CONTROL BOX	33	1	99015	DAMPING ORIFICE: SSOV



AERCO International, Inc. Blauvelt, NY 10913	<b>Benchmark 750-1000 Gas Train – Propane</b>	10/28/2015
	<b>22140-3 rev G</b>	Sheet 1 of 1



# Appendix G: BENCHMARK 1500/2000 PART LISTS

Benchmark 1500/2000 & 1500DF/2000DF Part List							
Item #	Qty	Part #	Description	Item #	Qty	Part #	Description
<b>EXHAUST MANIFOLD</b>				<b>CONTROLS (Continued)</b>			
1	1	39187	MANIFOLD: EXHAUST	31	1	181197	C-MORE CONTROLLER
2	1	81165	MANIFOLD: SEAL	32	1	65085	IGNITION TRANSFORMER
3	6	9-22	PIPE PLUG: 1/4" NPT: STEEL	33 ❶	1	63108	SSOV/RELAY JUMPER
<b>GAS TRAIN</b>				34	1	93230	SNUBBER
				35	1	64081	ECU, O <sub>2</sub> SENSOR
				36	1	65011	TRANSFORMER 115V/24V 100VA
				37	1	65109	12V POWER SUPPLY
				38	3	69141	DIN RAIL MOUNT END STOP
4	1	22188	BMK 1500 STANDARD GAS TRAIN ASSY	39	2	65120	TERMINAL BLOCK: DIN MOUNTED: BLK
		22199	BMK 1500-2000 DBB GAS TRAIN	40	2	65121	TERMINAL BLOCK: DIN MOUNTED: WHT
		22198	BMK 1500DF/2000DF GAS TRAIN ASSY	41	3	65122	TERMINAL GROUND BLOCK: DIN MOUNTED
		22201	BMK 1500DF/2000DF DBB GAS TRAIN ASSY	42	2	65118	FUSE TERMINAL: DIN MOUNTED
5 ❶	1	63109	GAS TRAIN HARNESS	43	1	64088	LIMIT CONTROL TEMPERATURE, DIGITAL CONTROLLER
<b>BURNER, AIR/FUEL VALVE</b>				44	1	60026	CIRCUIT BREAKER
8	1	81186	LOWER RELEASE GASKET	45	1	65156	FLAME DETECTOR SIGNAL AMPLIFIER
	1	46042	BURNER, BMK 1500	46	1	65162	24V POWER SUPPLY (Sequencing Valve)
10	1	46044	BURNER, BMK 2000	47 ❶	2	124512	FUSE: 4 AMP
	1	24277	STAGED IGNITION ASSY	48	1	123449	SENSOR: TEMPERATURE
11	1	81166	BURNER GASKET	49	1	58132	THERMOWELL (KIT)
12	1	81183	BURNER RELEASE GASKET	50 ❶	1	63105	I/O SENSOR/COMM HARNESS
13	2	43090	AIR FUEL VALVE PLENUM	51 ❶	1	63104	I/O INTERLOCK HARNESS
14	1	24311-3	AIR FUEL VALVE ASSY, BMK 1500	52 ❶	1	63090	HARNESS, TEMP LIMIT CONTROL
	1	24311-10	AIR FUEL VALVE ASSY, BMK 2000	53 ❶	1	63150	FLAME DETECTOR HARNESS
15	1	93230	ORIFICE SNUBBER - FOR BLOWER PROOF SWITCH	54	1	33170	MOUNTING PANEL
15a ❶				55	1	124324	GROUND BAR
<b>HOSES &amp; INSULATION</b>				56 ❶	1	63156	POWER CABLE, 24V SEQUENCE VALVE
16	1	97005-9	FLEX GAS TUBE 48"	57 ❶	1	63103	SHELL HARNESS
17	1	80089	SHELL INSULATION	58 ❶	1	63109	GAS TRAIN HARNESS: BMK 3000
<b>BLOWER</b>				59	1	61024	AIR INLET TEMPERATURE SENSOR
18	1	58038	BLOWER ASSEMBLY REPLACEMENT KIT				
19	1	81184	BLOWER OUTLET GASKET				
20	1	81100	GASKET, BLOWER MOTOR	61	1	61030	SENSOR: OUTLET TEMPERATURE
21	1	24356-1	FLAME DETECTOR KIT (with gasket)	62	1	69151	PCB ASSY
22	1	61026	LEAN OXYGEN SENSOR				
23	1	59104	OBSERVATION PORT	64 ❶	1	65104	CABLE, H.V. IGNITION
24	1	58023	IGNITER-INJECTOR REPLACEMENT KIT	65 ❶	1	63058	HARNESS: BLOWER SIGNAL
25	1	59138	AIR FILTER, 6"	66 ❶	1	63083	HARNESS: O <sub>2</sub> SENSOR
26	1	43095	BLOWER PLENUM, BMK 1500-2000	67 ❶	1	63111	HARNESS: CONTROL
<b>CONTROLS</b>				68 ❶	1	61034	SPARK MONITOR
27	1	123966	SWITCH: OVER TEMP-AUTO RESET	69	1	69151	PCB ASSY
28	1	123552	SWITCH: OVER TEMP-MANUAL RESET	70 ❶	1	38035	I/O PANEL COVER
29	1	60011-4	BMK 1500 BLOWER PROOF SWITCH	71 ❶	1	38036	POWER PANEL COVER
		60011-2	BMK 2000 BLOWER PROOF SWITCH				
30	1	61002-5	BLOCKED INLET SWITCH -4.5" W.C.				

❶ Not shown on drawing

AERCO International, Inc. Blauvelt, NY 10913	<b>Benchmark 1500/1500DF, 2000/2000DF Part List</b>	01/03/2017
	<b>29313-TAB rev E, 29337-TAB rev E</b>	Sheet 1 of 9

APPENDIX G – BENCHMARK 1500/2000 PART LISTS

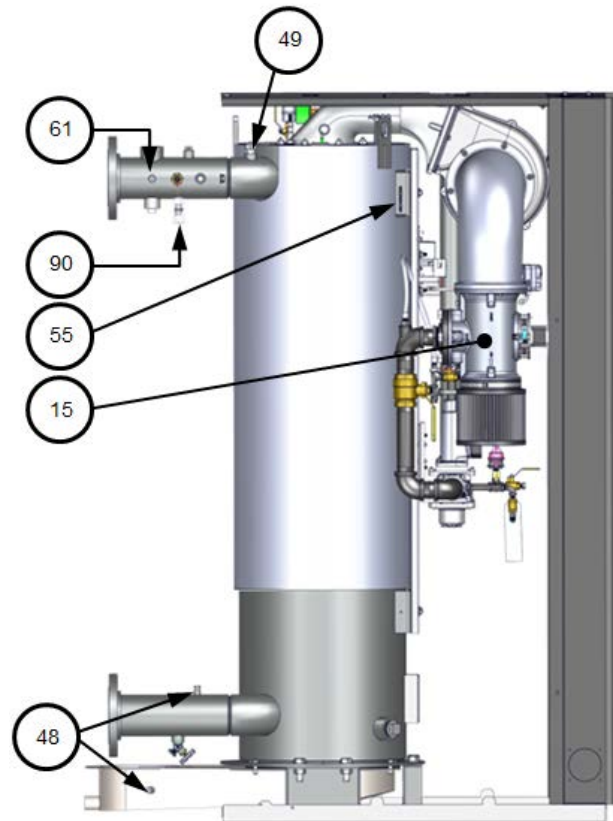
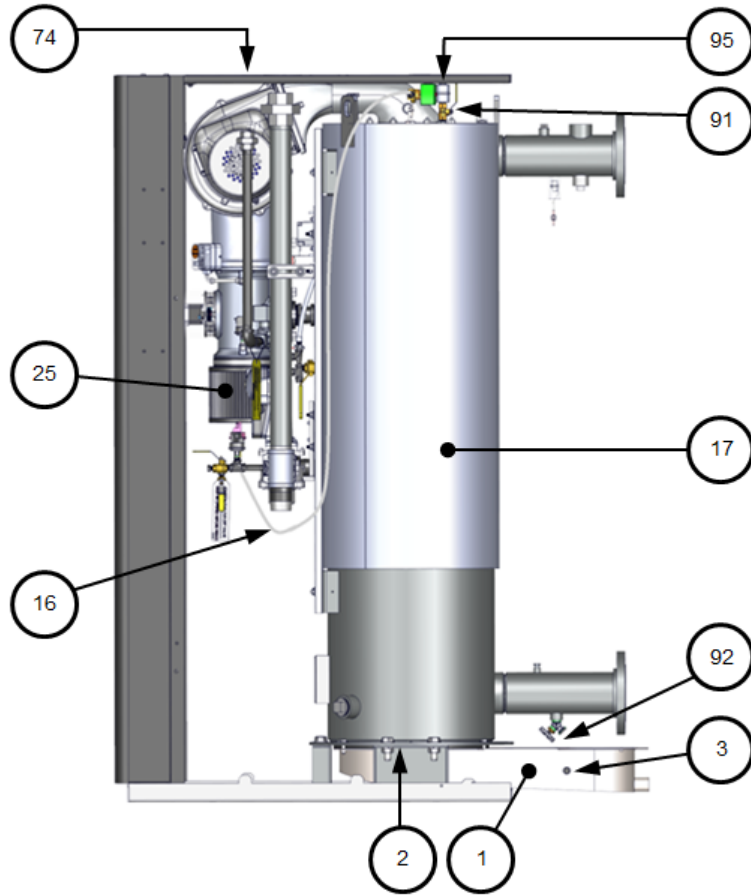
Benchmark 1500/2000 & 1500DF/2000DF Part List – Continued							
Item #	Qty	Part #	Description	Item #	Qty	Part #	Description
<b>SHEET METAL/PANEL ASSEMBLY</b>				<b>OTHER ACCESSORIES &amp; PARTS</b>			
72	1	37157	BACK PANEL: RIGHT	87 ❶	1	SEE TABLE A	PRESSURE/TEMP GAUGE
73	1	37158	BACK PANEL: LEFT	88 ❶	1	SEE TABLE A	PRESSURE RELIEF VALVE
74	2	35047	TOP RAIL	89 ❶	1	123540	EXTERNAL MANUAL SHUT-OFF VALVE
75	1	25087	FRONT FRAME ASSEMBLY	90	1	69126	LOW WATER CUTOFF/CAPACITOR ASSY
76	1	25085-TAB	FRONT PANEL ASSEMBLY	91	1	123863	1/8" NTP BALL VALVE
				92	1	92094	3/4" DRAIN VALVE
78							
79	6	59133	LATCH, COMPRESSION	94 ❶	1	24441	CONDENSATE TRAP ASSY
80	1	37159	FRONT TOP PANEL	95	1	59178	1/8" AIR VENT
81	1	37160	BACK TOP PANEL				
82	2	30155	SIDE PANEL				
83	1	74039	BENCHMARK LOGO LABEL	100 ❶	1	92084-6	MOTORIZED SEQUENCING ISOLATION VALVE (OPTIONAL)
84	1	39215	8" AIR INLET ADAPTER, BMK 2000				
	1	39218	6" AIR INLET ADAPTER, BMK 1500				

❶ Not shown on drawing

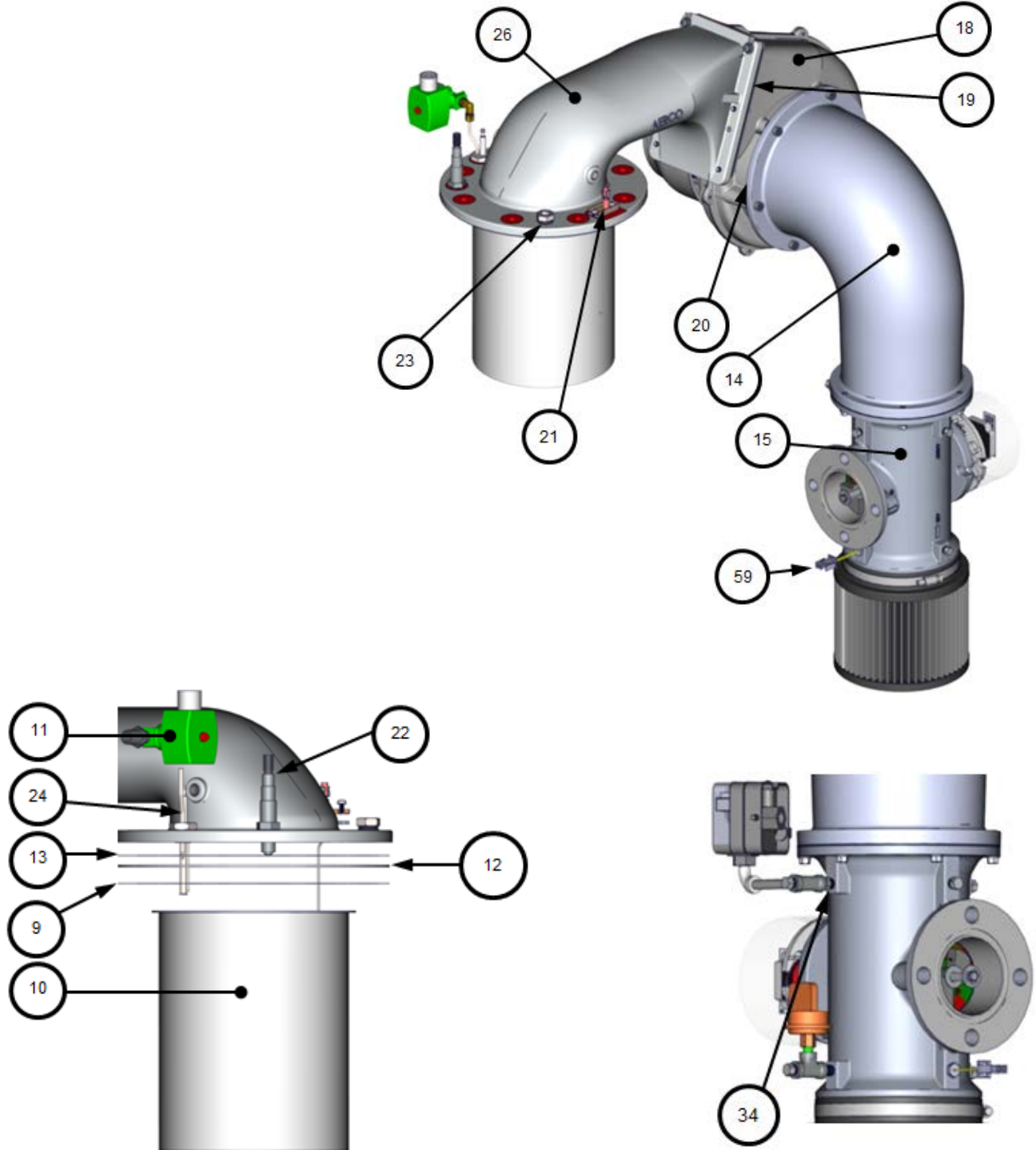
TABLE A

Benchmark 1500 – Spare Parts Kit 58088-TAB				Benchmark 2000 – Spare Parts Kit 58087-TAB			
Kit No.	Description	Item 88	Item 87	Kit No.	Description	Item 88	Item 87
58088-C30	30 PSI (207 kPa) KIT (CONBRACO)	92023-1	123675-5	58087-1	30 PSI (207 kPa)	123620-W30	123675-5
58088-C50	50 PSI (345 kPa) KIT (CONBRACO)	92023-2	123675-5	58087-2	50 PSI (345 kPa)	123620-W50	123675-5
58088-C60	60 PSI (414 kPa) KIT (CONBRACO)	92023-3	123675-6	58087-3	75 PSI (517 kPa)	123620-W75	123675-6
58088-C75	75 PSI (517 kPa) KIT (CONBRACO)	92023-4	123675-6	58087-4	100 PSI (689 kPa)	123620-W100	123675-6
58088-C100	100 PSI (689 kPa) KIT (CONBRACO)	92023-5	123675-6	58087-5	150 PSI (1034 kPa)	123620-W150	123675-7
58088-C125	125 PSI (862 kPa) KIT (CONBRACO)	92023-6	123675-6	58087-6	60 PSI (414 kPa)	123620-W60	123675-6
58088-C150	150 PSI (1034 kPa) KIT (CONBRACO)	92023-7	123675-7	58087-7	125 PSI (862 kPa)	123620-W125	123675-6
58088-W30	30 PSI (207 kPa) KIT (WATTS)	92023-8	123675-5	58087-8	160 PSI (1103 kPa)	123620-K160	123675-7
58088-W50	50 PSI (345 kPa) KIT (WATTS)	92023-9	123675-5	58087-9	40 PSI (276 kPa)	92015-45	123675-5
58088-W60	60 PSI (414 kPa) KIT (WATTS)	92023-10	123675-6				
58088-W75	75 PSI (517 kPa) KIT (WATTS)	92023-11	123675-6				
58088-W100	100 PSI (689 kPa) KIT (WATTS)	92023-12	123675-6				
58088-W125	125 PSI (862 kPa) KIT (WATTS)	92023-13	123675-6				
58088-W150	150 PSI (1034 kPa) KIT (WATTS)	92023-14	123675-7				
58088-K160	160 PSI (1103 kPa) KIT (KUNKLE)	92023-15	123675-7				

AERCO International, Inc. Blauvelt, NY 10913	<b>Benchmark 1500/1500DF, 2000/2000DF Part List</b>	01/03/2017
	<b>29313-TAB rev E, 29337-TAB rev E</b>	Sheet 2 of 9

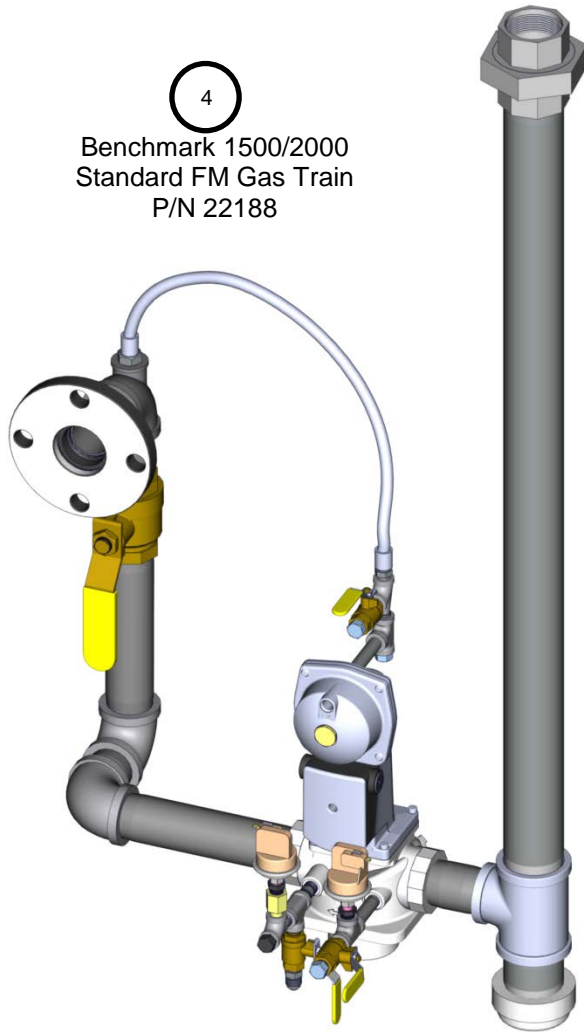


AERCO International, Inc. Blauvelt, NY 10913	<b>Benchmark 1500/1500DF, 2000/2000DF Part List</b>	01/03/2017
	<b>29313-TAB rev E, 29337-TAB rev E</b>	Sheet 3 of 9



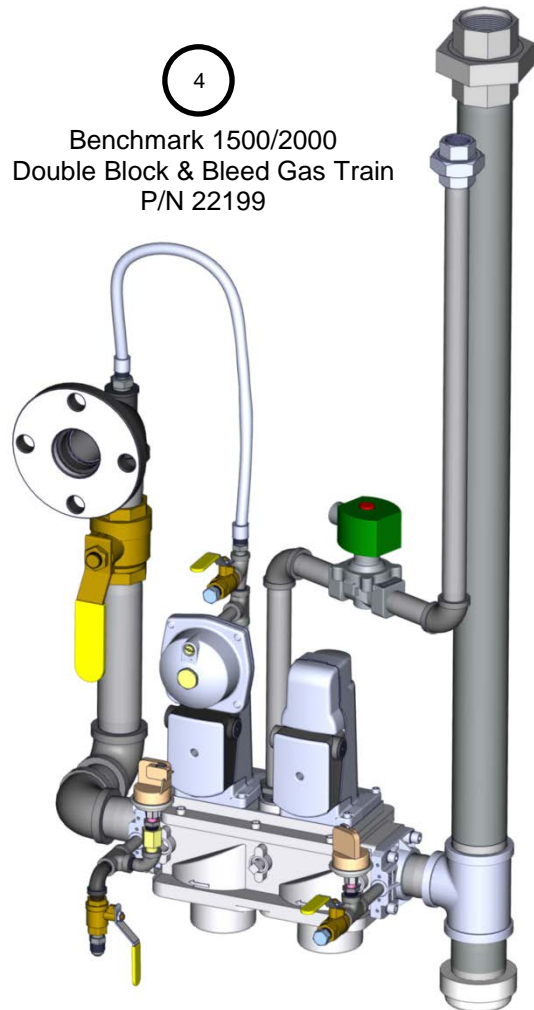
Benchmark 1500/2000  
 Burner-Air/Fuel Valve Assembly  
 P/N 24378 & 24388  
 See full part lists below

AERCO International, Inc. Blauvelt, NY 10913	<b>Benchmark 1500/1500DF, 2000/2000DF Part List</b>	01/03/2017
	<b>29313-TAB rev E, 29337-TAB rev E</b>	Sheet 4 of 9



4

Benchmark 1500/2000  
Standard FM Gas Train  
P/N 22188



4

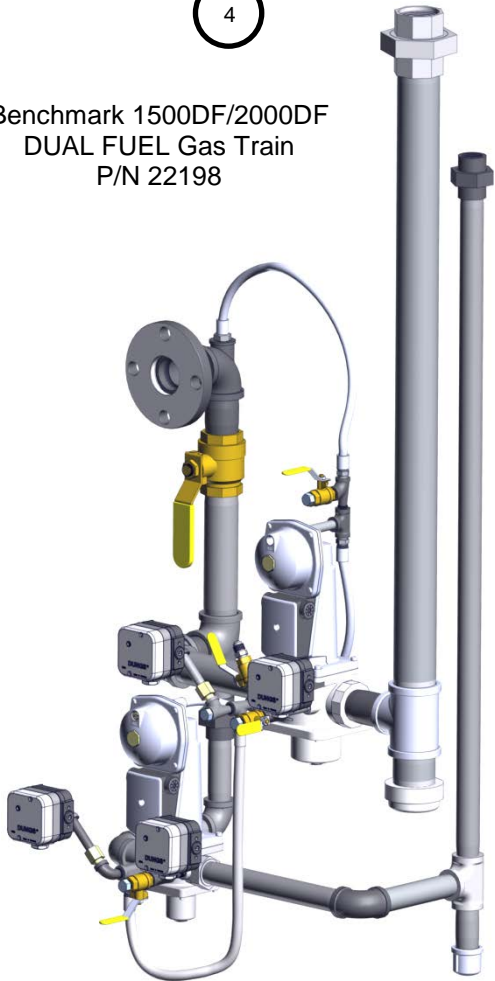
Benchmark 1500/2000  
Double Block & Bleed Gas Train  
P/N 22199

See full part lists below

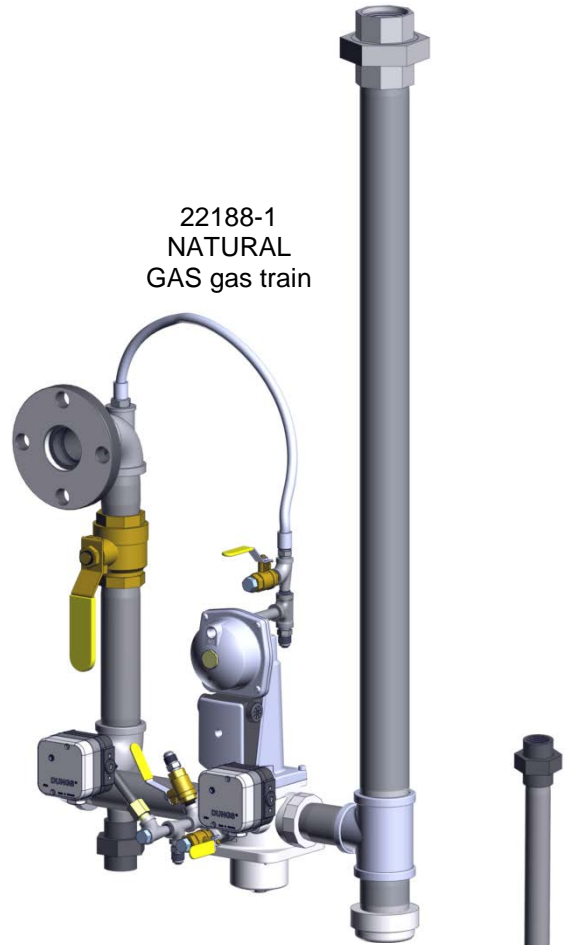
AERCO International, Inc. Blauvelt, NY 10913	<b>Benchmark 1500/1500DF, 2000/2000DF Part List</b>	01/03/2017
	<b>29313-TAB rev E, 29337-TAB rev E</b>	Sheet 5 of 9

4

Benchmark 1500DF/2000DF  
DUAL FUEL Gas Train  
P/N 22198



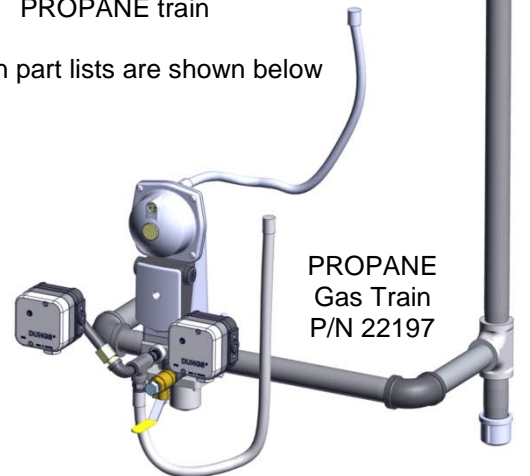
22188-1  
NATURAL  
GAS gas train



Benchmark 1500DF/2000DF  
DUAL FUEL Gas Train, P/N 22198,  
PARTIALLY EXPLODED VIEW  
consists of:

- 22188-1 NATURAL GAS gas train
- 22197 PROPANE train

Full gas train part lists are shown below



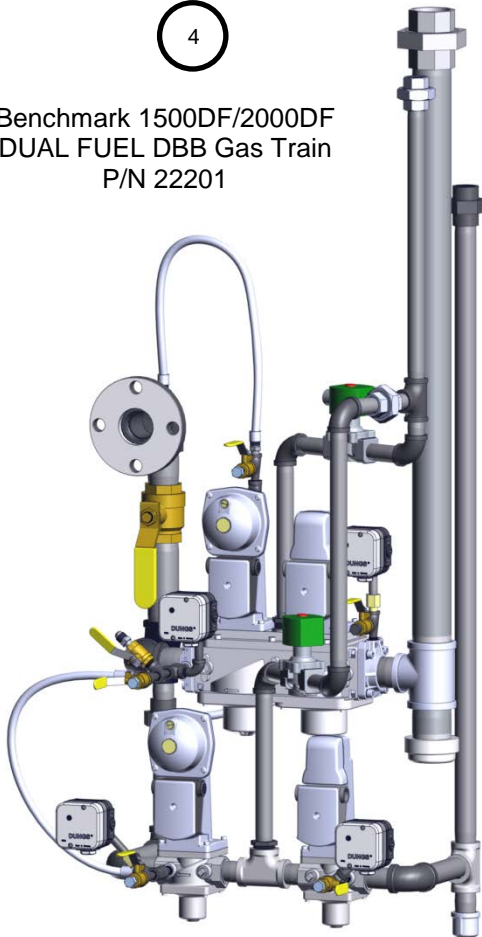
PROPANE  
Gas Train  
P/N 22197

AERCO International, Inc. Blauvelt, NY 10913	<b>Benchmark 1500/1500DF, 2000/2000DF Part List</b>	01/03/2017
	<b>29313-TAB rev E, 29337-TAB rev E</b>	Sheet 6 of 9

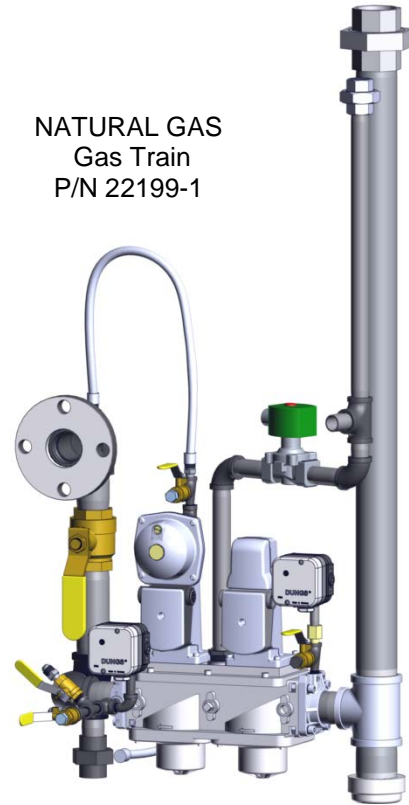


4

Benchmark 1500DF/2000DF  
DUAL FUEL DBB Gas Train  
P/N 22201

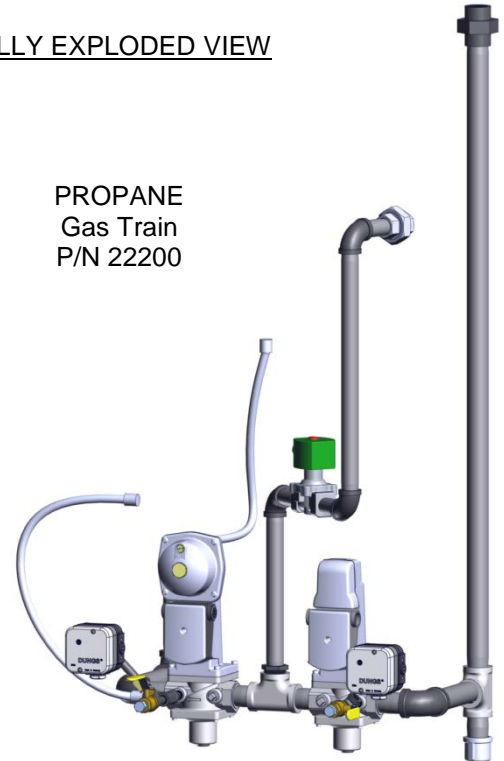


NATURAL GAS  
Gas Train  
P/N 22199-1

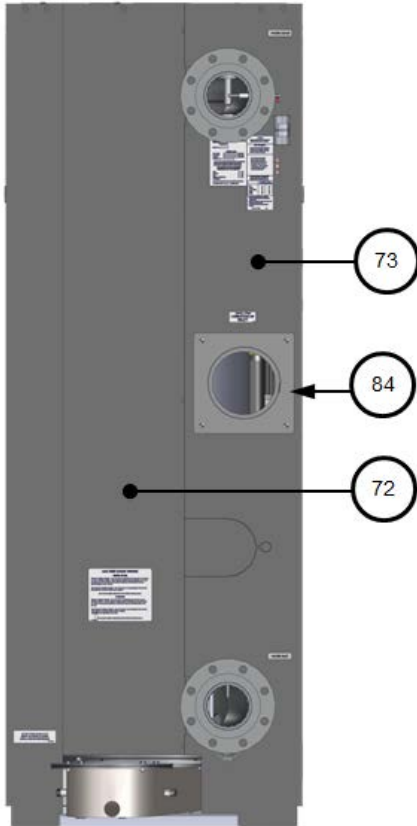


PARTIALLY EXPLODED VIEW

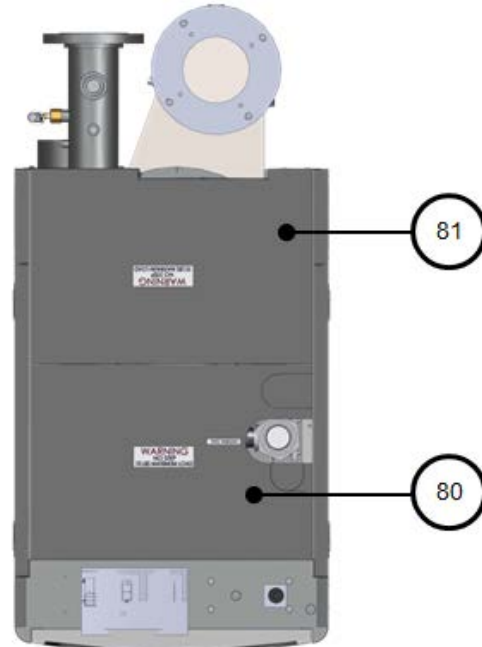
PROPANE  
Gas Train  
P/N 22200



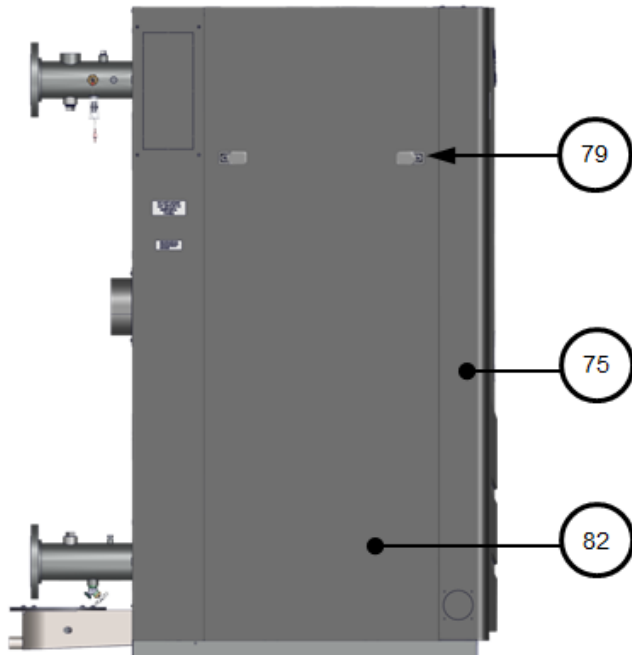
AERCO International, Inc. Blauvelt, NY 10913	<b>Benchmark 1500/1500DF, 2000/2000DF Part List</b>	01/03/2017
	<b>29313-TAB rev E, 29337-TAB rev E</b>	Sheet 7 of 9



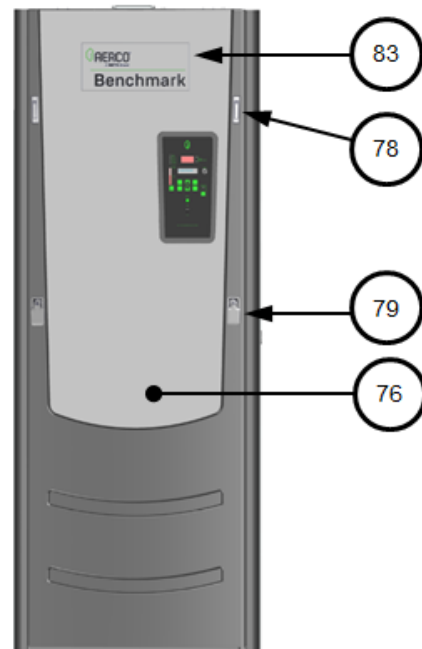
REAR VIEW



TOP VIEW

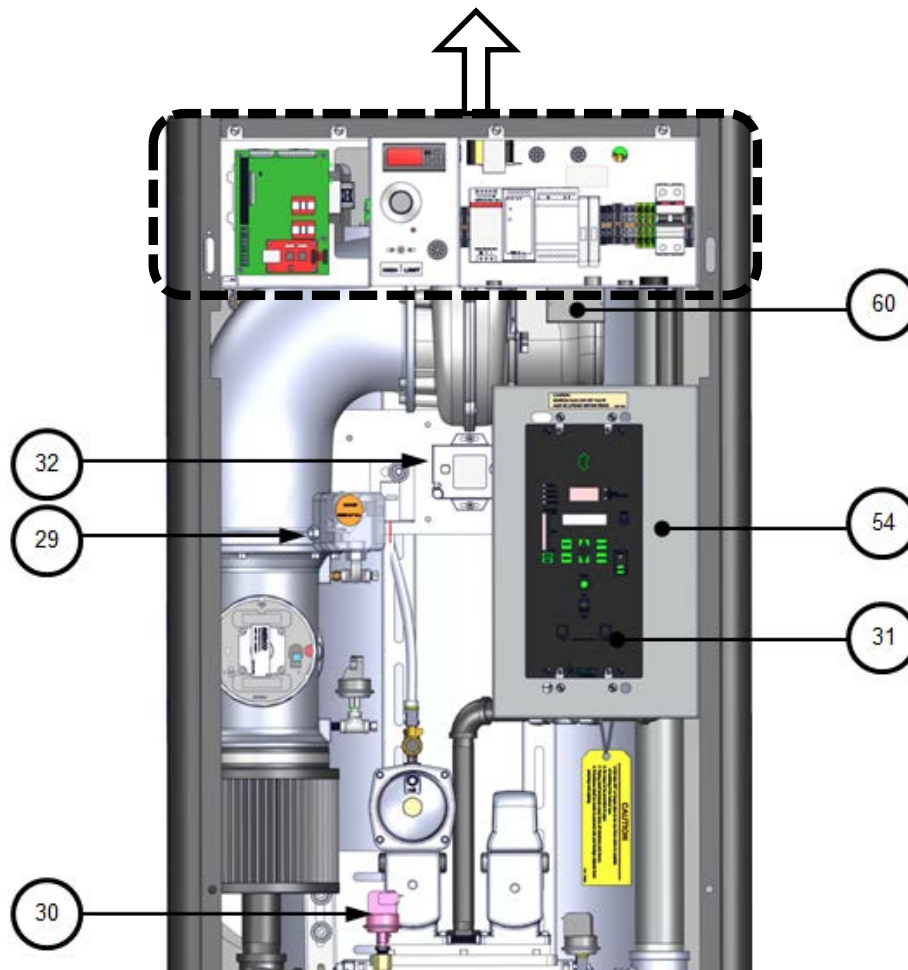
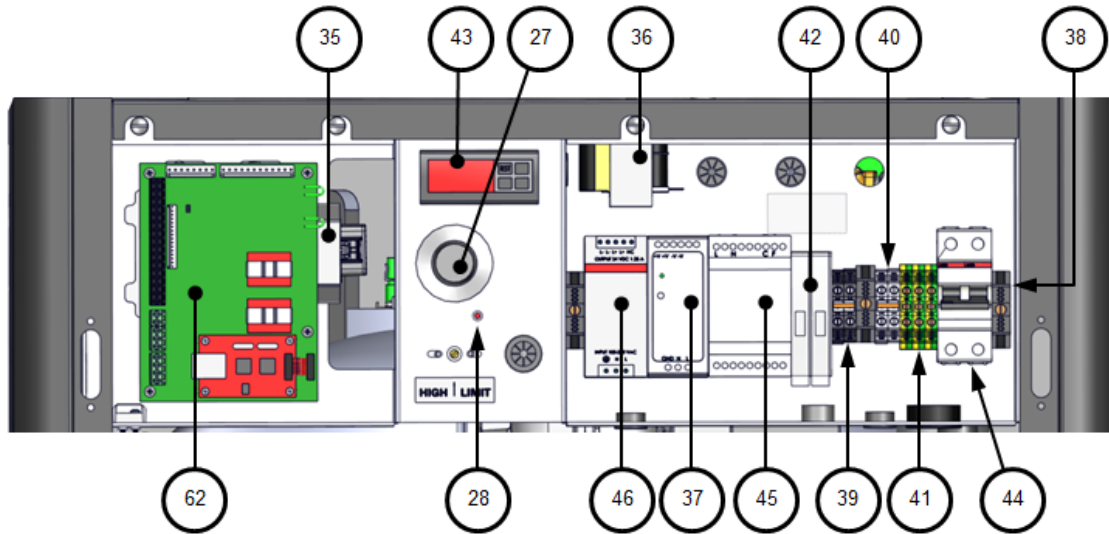


LEFT SIDE VIEW



FRONT VIEW

AERCO International, Inc. Blauvelt, NY 10913	<b>Benchmark 1500/1500DF, 2000/2000DF Part List</b>	01/03/2017
	<b>29313-TAB rev E, 29337-TAB rev E</b>	Sheet 8 of 9

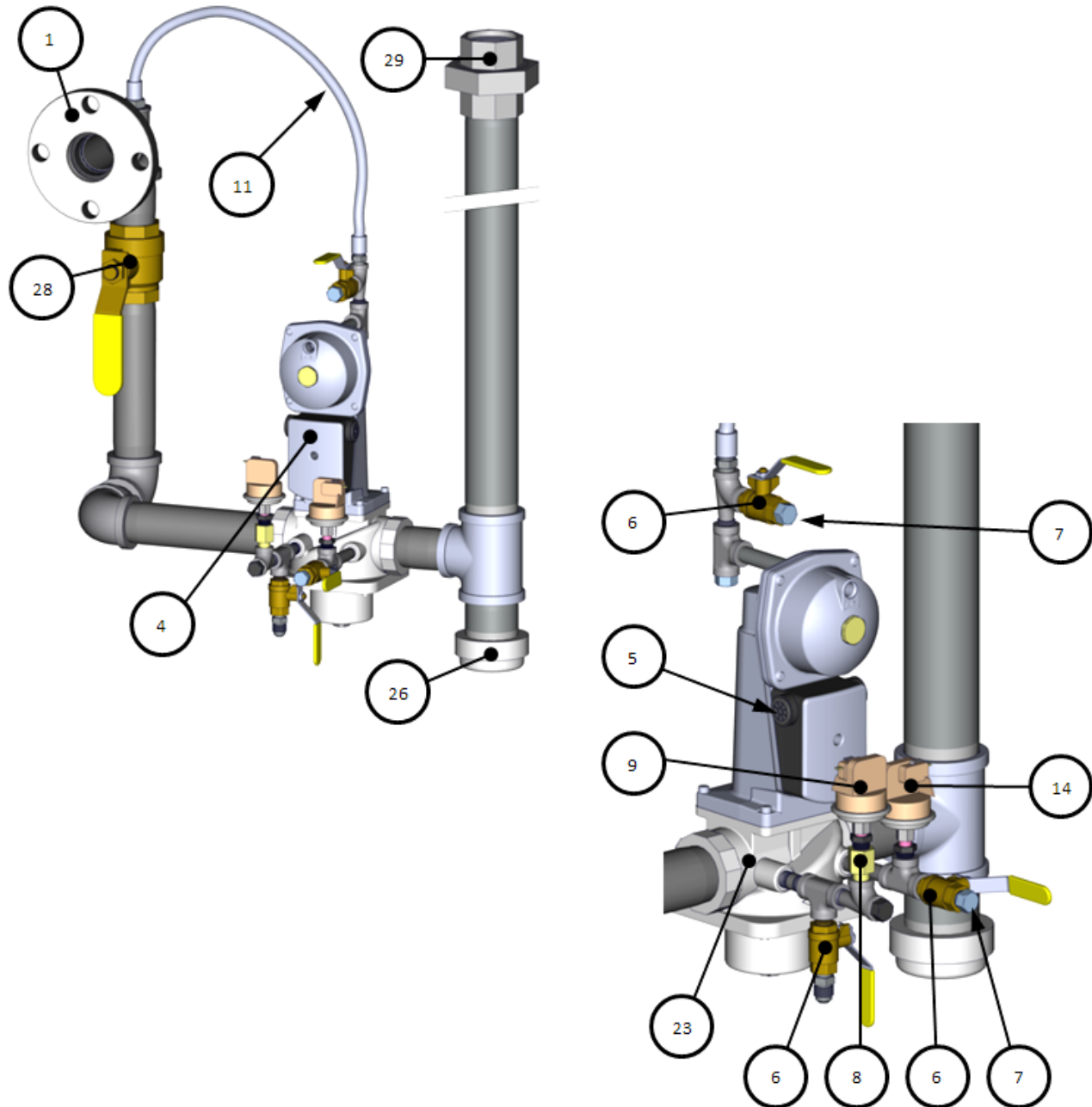


PARTIAL FRONT VIEW

AERCO International, Inc. Blauvelt, NY 10913	<b>Benchmark 1500/1500DF, 2000/2000DF Part List</b>	01/03/2017
	<b>29313-TAB rev E, 29337-TAB rev E</b>	Sheet 9 of 9

**Benchmark 1500-2000 Natural Gas Standard Gas Train – 22188 rev E**

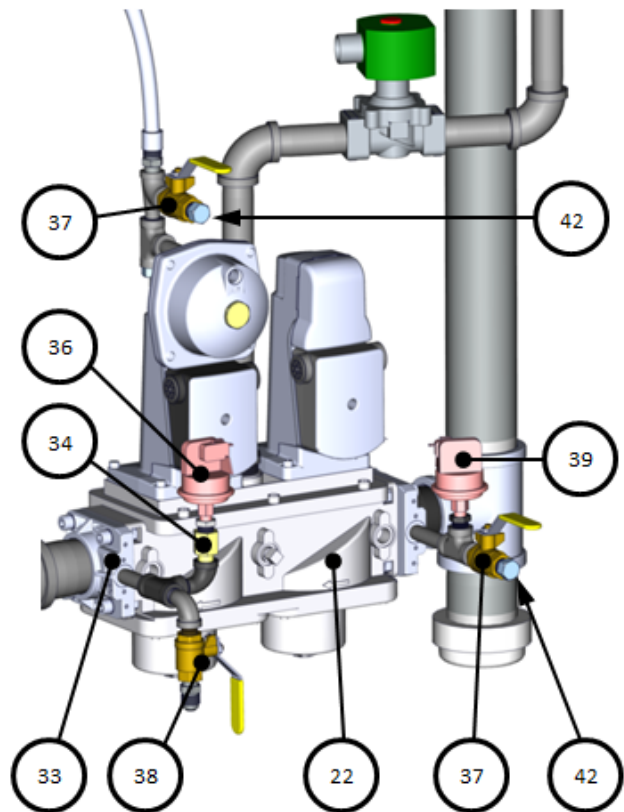
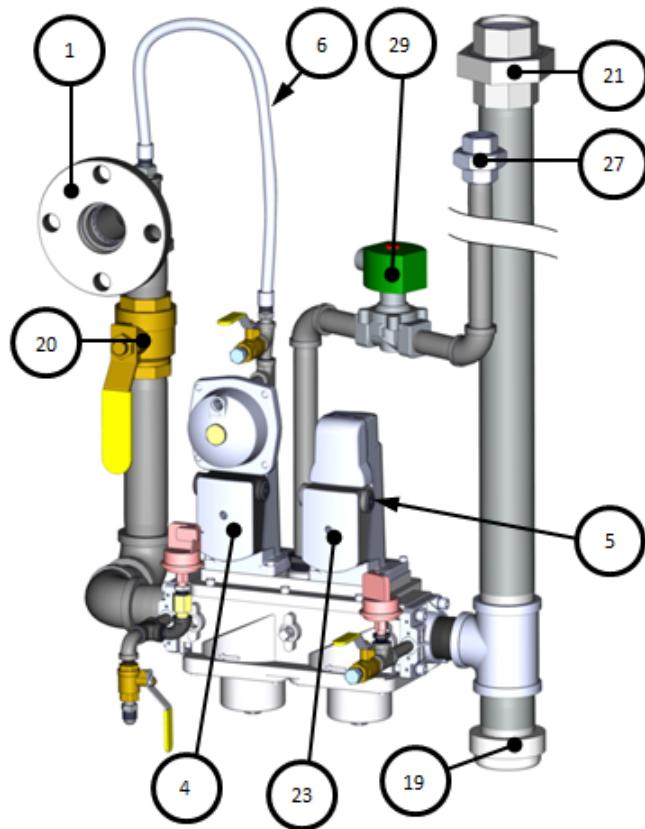
Item	Qty	Part #	Description	Item	Qty	Part #	Description
1	1	123542	FLANGE 2" 125# 2"NPT	11	1	97087-20	FLEX HOSE, 20"
4	1	69005	ACTUATOR, SSOV W/ REGULATOR	14	1	61002-11	LOW GAS PRESSURE SWITCH 3.6" W.C.
5	2	12951-2	BUSHING, CONTROL BOX	23	1	124150	VALVE, SSOV 1-1/2" NPT
6	3	92077	1/4" NPT MXF BRASS BALL VALVE	26	1	93382	2" NPT CAP
7	4	9-22	PIPE PLUG, 1/4" NPT, STEEL	28	1	92006-7	VALVE, BALL BRASS 1-1/2" NPT
8	1	99017	SNUBBER, PRESSURE, 1/4"	29	1	9-294	UNION, 2" NPT 300#
9	1	61002-12	HIGH GAS PRESSURE SWITCH 4.7" W.C.				



AERCO International, Inc. Blauvelt, NY 10913	<b>Benchmark 1500-2000 Gas Train</b>	05/28/2015
	<b>22188 rev E</b>	Sheet 1 of 1

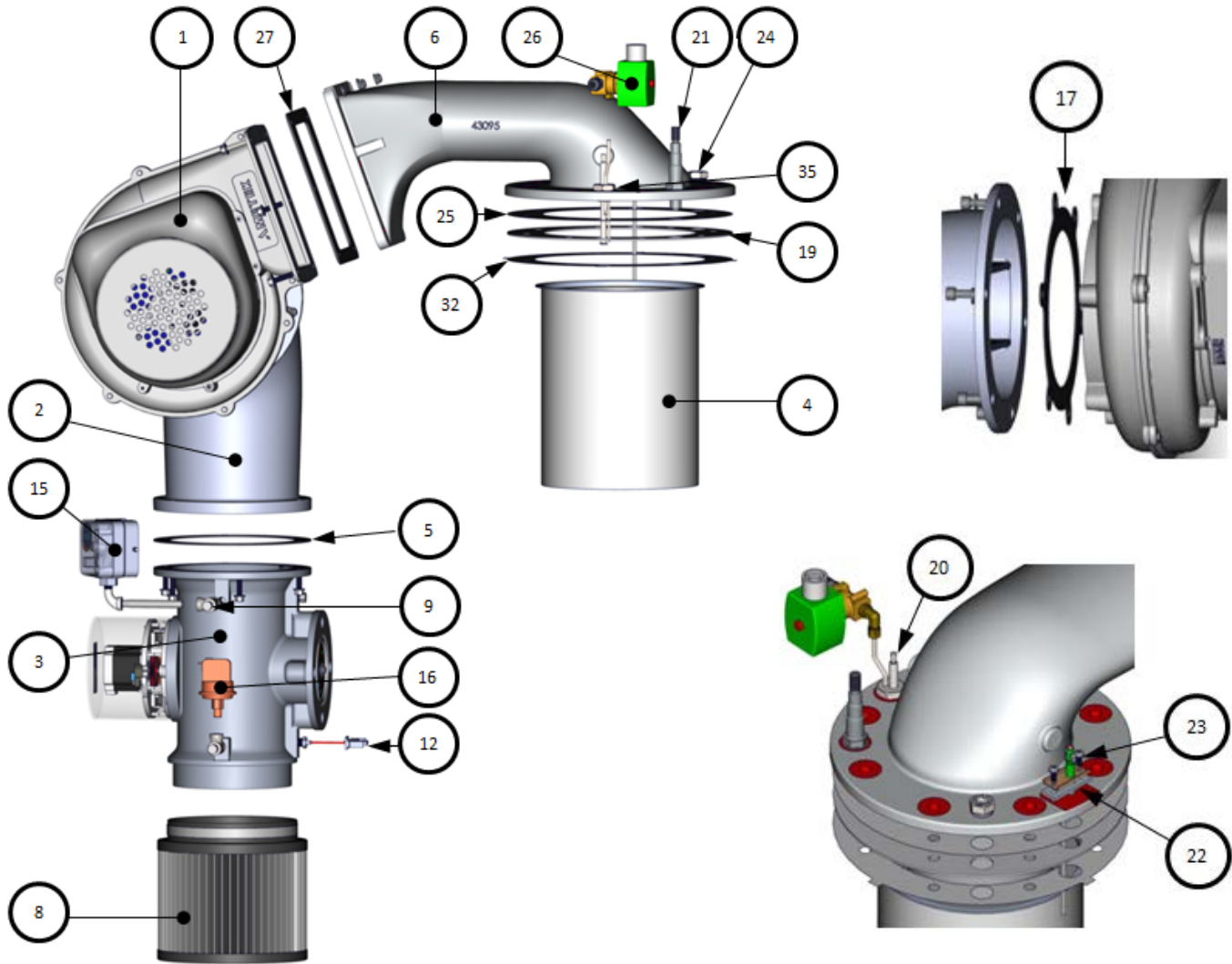
**Benchmark 1500-2000 Natural Gas DBB Gas Train – 22199 rev F**

Item	Qty	Part No	Description	Item	Qty	Part No	Description
1	1	123542	FLANGE 2" 125# 2" NPT	27	1	124094	UNION, 3/4" NPT #150
4	1	69005	ACTUATOR, SSOV W/ REGULATOR	29	1	122774	VALVE, VENT 3/4" NPT
5	4	12951-2	BUSHING, CONTROL BOX	33	2	95029	FLANGE, SSOV 1 1/2" NPT
6	1	97087-20	TUBING, FLEXIBLE 20"	34	1	99017	SNUBBER, PRESSURE, 1/4"
19	1	93382	2" NPT CAP	36	1	61002-12	HIGH GAS PRESSURE SWITCH 4.7" W.C.
20	1	92006-7	VALVE, BALL BRASS 1-1/2" NPT	37	3	92077	1/4" NPT MXF BRASS BALL VALVE
21	1	9-294	UNION, 2" NPT 300#	39	1	61002-11	LOW GAS PRESSURE SWITCH 3. 6" W.C.
22	1	124142	VALVE, SSOV, DOUBLE BODY, 2" NPT	42	3	9-22	PIPE PLUG, 1/4" NPT, STEEL
23	1	69038	ACTUATOR, SSOV W/O P.O.C. SWITCH				



AERCO International, Inc. Blauvelt, NY 10913	<b>Benchmark 1500-2000 DBB Gas Train</b>	11/10/2015
	<b>22199 rev F</b>	Sheet 1 of 1

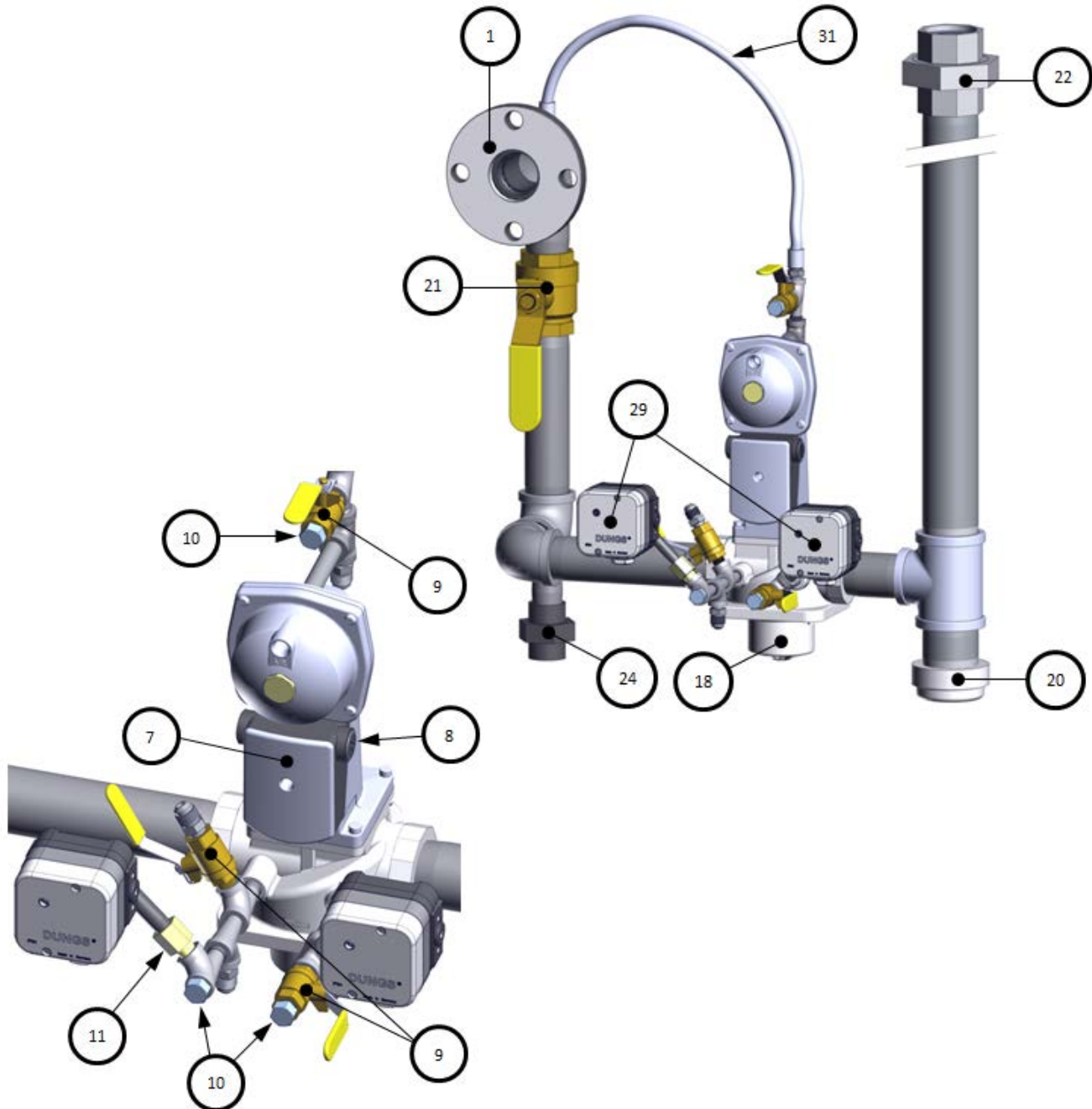
Benchmark 1500 – 2000 Burner Assembly – P/N 24378-TAB rev F							
Item	Qty	Part #	Description	Item	Qty	Part #	Description
1	1	69078	BLOWER: AMETEK 12.3"	16	1	61002-5	BLOCKED INLET SWITCH -8.0" W.C.
2	1	43090	AIR FUEL VALVE PLENUM	17	1	81100	GASKET: BLOWER 12.3"
3	1	24220-3	A/F VALVE ASSY: BMK 1500	19	1	81166	BURNER GASKET
		24220-10	A/F VALVE ASSY: BMK 2000	20	1	66026	IGNITOR-INJECTOR
		24220-3	A/F VALVE ASSY: BMK 2000 DF	21	1	61026	O <sub>2</sub> SENSOR
4	1	46042	BURNER: BMK 1500	22	1	81048	GASKET: FLAME ROD LOW NO <sub>x</sub>
		46044	BURNER: BMK 2000	23	1	66034	FLAME ROD
		46044	BURNER: BMK 2000 DF	24	1	59104	OBSERVATION PORT
5	1	81057	GASKET: BLOWER	25	1	81183	BURNER GASKET: UPPER RELEASE
6	1	43095	BLOWER PLENUM	26	1	24277	STAGED IGNITION ASSY
8	1	59138	FILTER: AIR 6"	27	1	81184	GASKET: BLOWER
9	5	9-21	PLUG: HEX HD 1/8 NPT	32	1	81186	BURNER GASKET: LOWER RELEASE
12	1	61024	AIR INLET TEMPERATURE SENSOR	35	1	53033	WASHER: CLOCKING
15	1	60011-4	SWITCH ASSY: BLOWER PROOF: BMK 1500				
		60011-2	SWITCH ASSY: BLOWER PROOF: BMK 2000				



AERCO International, Inc. Blauvelt, NY 10913	<b>Benchmark 1500 - 2000 Burner Assembly</b>	09/22/2015
	<b>24378-TAB rev F</b>	Sheet 1 of 1

**Benchmark 1500DF – 2000DF Natural Gas Gas Train – P/N 22188-1 rev C**

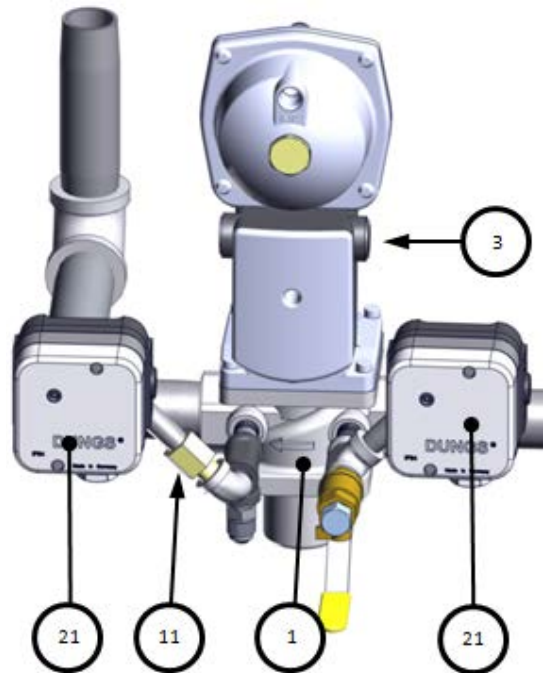
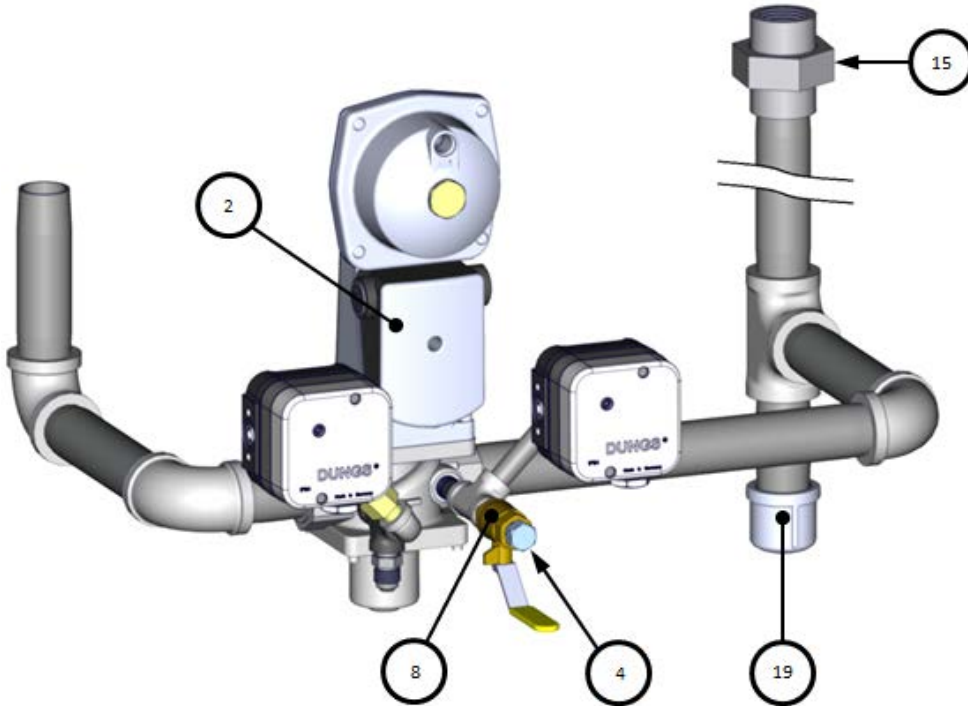
Item	Qty.	Part No.	Description	Item	Qty.	Part No.	Description
1	1	123542	FLANGE 2" 125# 2" NPT	20	1	93382	2" NPT CAP
7	1	69005	ACTUATOR, SSOV W/ REGULATOR	21	1	92006-7	VALVE, BALL BRASS 1-1/2" NPT
8	2	12951-2	BUSHING, CONTROL BOX	22	1	9-294	UNION, 2" NPT 300#
9	3	92077	1/4" NPT MXF BRASS BALL VALVE	24	1	9-291	UNION, 1" NPT 300# BI
10	3	9-22	PIPE PLUG, 1/4" NPT, STEEL	29	2	60020	SWITCH, DUNGS GAS PRESSURE 2-20" W.C.
11	1	99017	SNUBBER, PRESSURE, 1/4"	31	1	97087-20	FLEX HOSE, 20"
18	1	124150	VALVE, SSOV 1-1/2" NPT				



AERCO International, Inc. Blauvelt, NY 10913	<b>Benchmark 1500DF-2000DF Gas Train                  NATURAL GAS</b>	05/05/2015
	<b>22188-1 rev C, component of 22198</b>	Sheet 1 of 1

**Benchmark 1500DF – 2000DF PROPANE Gas Train – 22197 rev D**

Item	Qty.	Part No.	Description	Item	Qty.	Part No.	Description
1	1	92036	VALVE, SSOV 1" NPT	11	1	99017	SNUBBER, PRESSURE, 1/4"
2	1	69005	ACTUATOR, SSOV W/ REGULATOR	15	1	9-291	UNION, 1" NPT 300# BI
3	2	12951-2	BUSHING, CONTROL BOX	19	1	93466	CAP, 1" NPT M/I
4	1	9-22	PIPE PLUG, 1/4" NPT, STEEL	21	2	60020	SWITCH, DUNGS GAS PRESSURE 2-20" W.C.
8	1	92077	1/4" NPT MXF BRASS BALL VALVE				

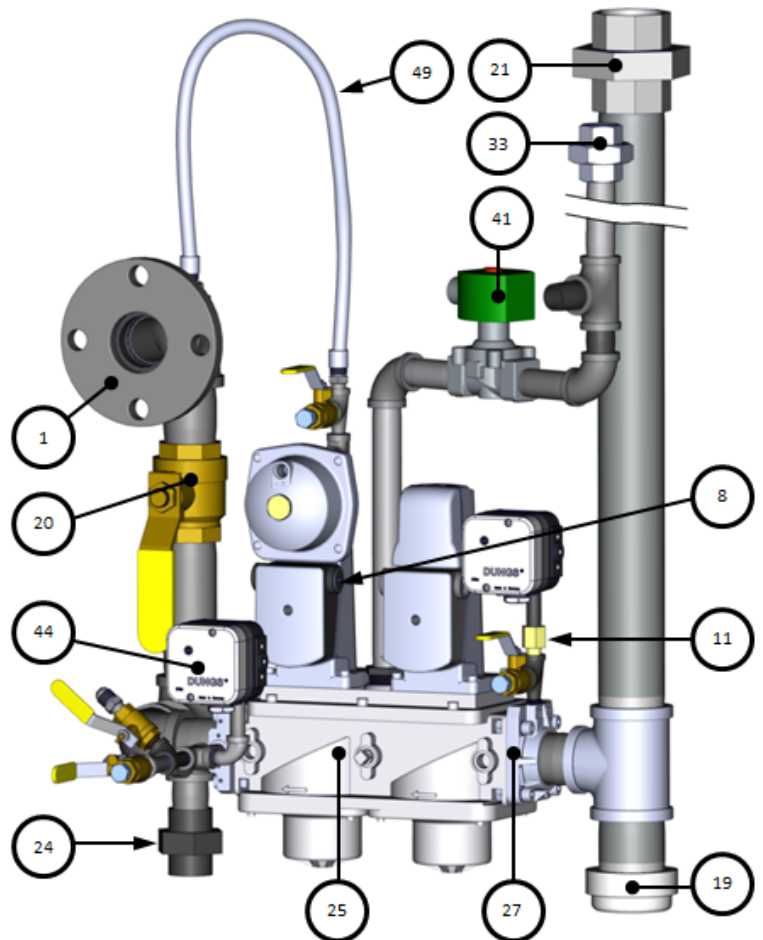
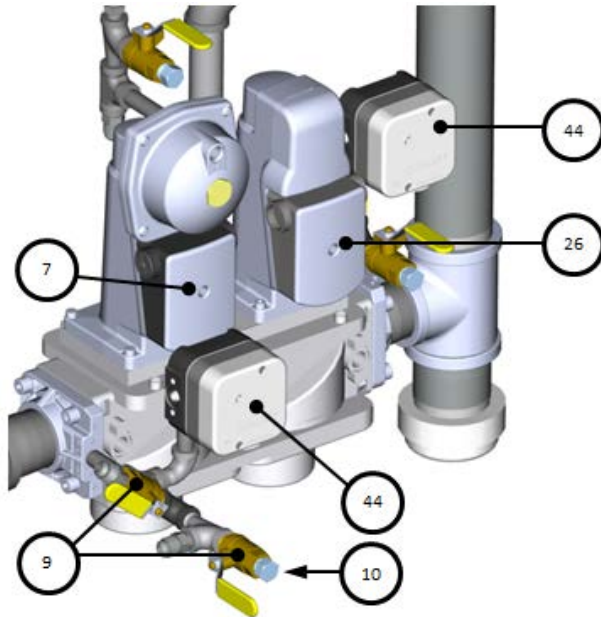


AERCO International, Inc. Blauvelt, NY 10913	<b>Benchmark 1500DF-2000DF                  PROPANE Gas Train</b>	09/17/2015
	<b>22197 rev D, component of 22198</b>	Sheet 1 of 1



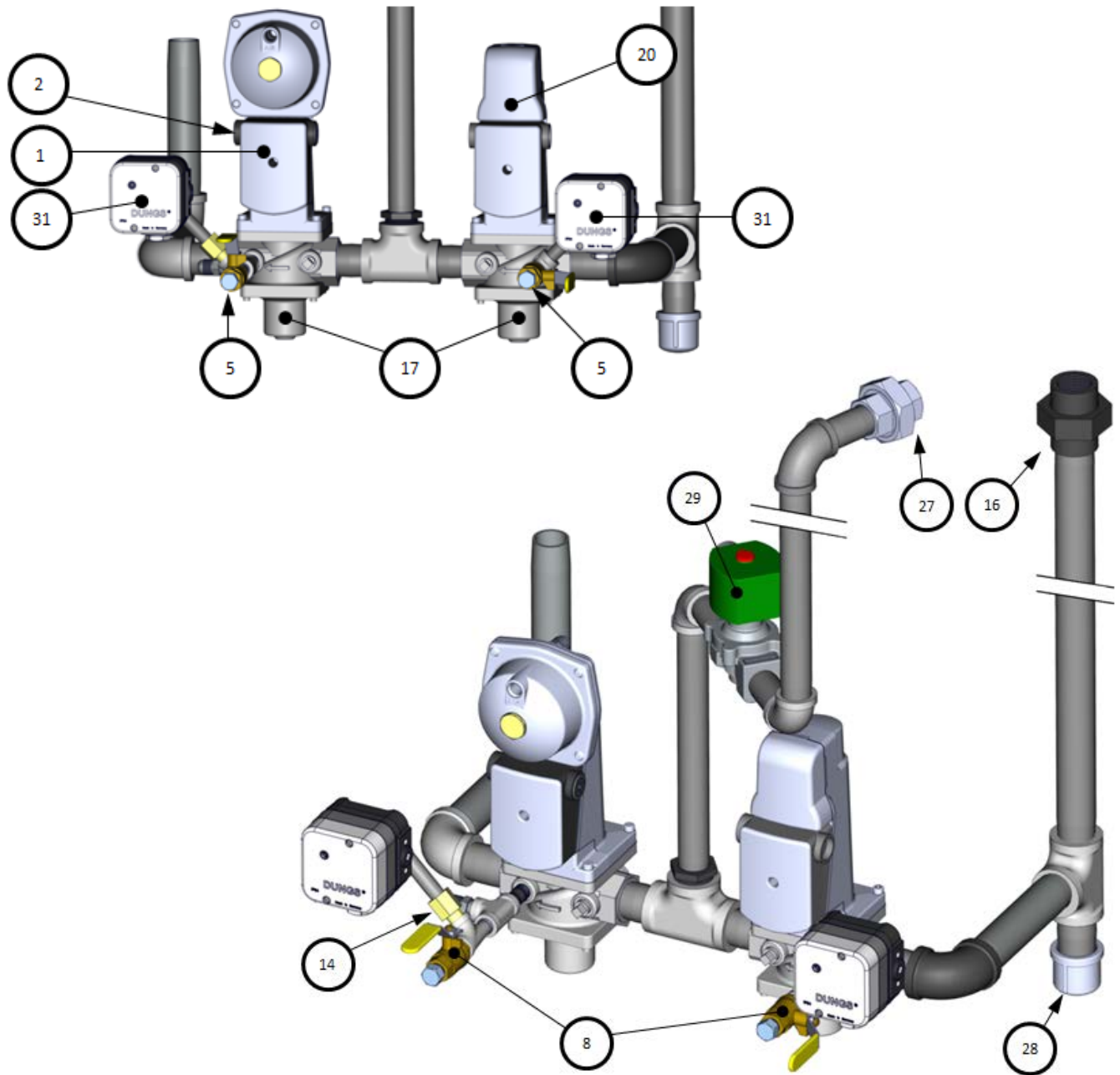
**Benchmark 1500DF – 2000DF DBB NATURAL GAS Train – P/N 22199-1 rev D**

Item	Qty	Part No.	Description	Item	Qty	Part No.	Description
1	1	123542	FLANGE 2" 125# 2" NPT	24	1	9-291	UNION, 1" NPT 300# BI
7	1	69005	ACTUATOR, SSOV W/ REGULATOR	25	1	124142	VALVE, SSOV, DOUBLE BODY, 2" NPT
8	2	12951-2	BUSHING, CONTROL BOX	26	1	69038	ACTUATOR, SSOV W/O P.O.C. SWITCH
9	4	92077	1/4" NPT MXF BRASS BALL VALVE	27	2	95029	FLANGE, SSOV 1 1/2" NPT
10	3	9-22	PIPE PLUG, 1/4" NPT, STEEL	33	1	124094	UNION, 3/4" NPT #150
11	1	99017	SNUBBER, PRESSURE, 1/4"	41	1	122774	VALVE, VENT 3/4" NPT
19	1	93382	2" NPT CAP	44	2	60020	SWITCH, DUNGS GAS PRESSURE 2-20" W.C.
20	1	92006-7	VALVE, BALL BRASS 1-1/2" NPT	49	1	97087-20	TUBING, FLEXIBLE 20"
21	1	9-294	UNION, 2" NPT 300#				



AERCO International, Inc. Blauvelt, NY 10913	<b>Benchmark 1500DF-2000DF                  DBB NATURAL GAS Gas Train</b>	09/17/2015
	<b>22199-1 rev D, component of 22201</b>	Sheet 1 of 1

Benchmark 1500DF – 2000DF DBB PROPANE Gas Train – P/N 22200 rev E							
Item	Qty	Part #	Description	Item	Qty	Part #	Description
1	1	69005	ACTUATOR, SSOV W/ REGULATOR	17	2	92036	VALVE, SSOV 1" NPT1
2	2	12951-2	BUSHING, CONTROL BOX	20	1	69038	ACTUATOR, SSOV W/O P.O.C. SWITCH
5	2	9-22	PIPE PLUG, 1/4" NPT, STEEL	27	1	124094	UNION, 3/4" NPT #150
8	2	92077	1/4" NPT MXF BRASS BALL VALVE	28	1	93466	CAP, 1" NPT M/I
14	1	99017	SNUBBER, PRESSURE, 1/4"	29	1	122774	VALVE, VENT 3/4" NPT
16	1	9-291	UNION, 1" NPT 300# BI	31	2	60020	SWITCH, DUNGS GAS PRESSURE 2-20" W.C.



AERCO International, Inc. Blauvelt, NY 10913	<b>Benchmark 1500DF-2000DF                  DBB PROPANE Gas Train</b>	10/16/2015
	<b>22200 rev E, component of 22201</b>	Sheet 1 of 1

# Appendix H: BENCHMARK 2500/3000 PART LISTS

## Benchmark 2500/3000 & 2500DF/3000DF Parts List

Item #	Qty	Part #	Description	Item #	Qty	Part #	Description
<b>EXHAUST MANIFOLD</b>				<b>CONTROLS</b>			
1	1	39156	MANIFOLD: EXHAUST	27	1	123966	ADJUSTABLE TEMP LIMIT SWITCH
2	1	84040	SEAL: MANIFOLD	28	1	123552	OVER TEMP-MANUAL RESET SWITCH
3	6	9-22	PIPE PLUG: 1/4" NPT: STEEL	29	1	60011-2	BMK 3000 BLOWER PROOF SWITCH
						60011-5	BMK 2500 BLOWER PROOF SWITCH
				30	1	61002-5	BLOCKED INLET SWITCH -4.5" W.C.
				31	1	181197	C-MORE CONTROLLER
<b>GAS TRAIN</b>				32	1	65085	IGNITION TRANSFORMER
4	1	22171	BKM 3000 FM GAS TRAIN ASSY	33	1	63108	SSOV/RELAY JUMPER
		22173	BKM 3000 DBB GAS TRAIN ASSY	34	1	93230	SNUBBER
		22190	BKM 2500 FM GAS TRAIN ASSY	35	1	64081	ECU, O <sub>2</sub> SENSOR
		22211	BKM 2500 DBB GAS TRAIN ASSY	36	1	65011	TRANSFORMER 115V/24V 100VA
		22174	BMK 3000DF FM GAS TRAIN ASSY	37	1	65109	12V POWER SUPPLY
		22183	BMK 3000DF DBB GAS TRAIN	38	3	69141	DIN RAIL MOUNT END STOP
		22210	BMK 2500DF FM GAS TRAIN ASSY	39	2	65120	TERMINAL BLOCK: DIN MOUNTED: BLK
		22209	BMK 2500DF DBB GAS TRAIN	40	2	65121	TERMINAL BLOCK: DIN MOUNTED: WHT
<b>BURNER, AIR/FUEL VALVE AND HEAT EXCHANGER</b>				41	3	65122	TERMINAL GROUND BLOCK: DIN MOUNTED
8	1	46039	BMK 2500 BURNER	42	2	65118	FUSE TERMINAL: DIN MOUNTED
	1	46038	BMK 3000 BURNER	43	1	64088	LIMIT CONTROL TEMPERATURE, DIGITAL CONTROLLER
9	1	26015-1	BMK 2500 BURNER ASSY 460 VAC	44	1	38035	I/O PANEL COVER
		26015-2	BMK 2500 BURNER ASSY 208 VAC				
		26015-3	BMK 2500DF BURNER ASSY 460 VAC				
	1	26014-1	BMK 3000 BURNER ASSY 460 VAC	45	1	38036	POWER PANEL COVER
26014-2		BMK 3000 BURNER ASSY 208 VAC					
26014-3		BMK 3000DF BURNER ASSY 460 VAC					
10	1	24277	STAGED IGNITION ASSY	46	1	65128	3 POLE 20A BREAKER
11	1	81180	BURNER GASKET	47	2	124512	FUSE: 4 AMP
12	1	81173	RELEASE GASKET	48	2	123449	SENSOR: TEMPERATURE
13	1	81185	LOWER RELEASE GASKET	49	1	58132	THERMOWELL (KIT)
14	1	43090	AIR/FUEL VALVE PLENUM	50	1	63105	I/O SENSOR/COMM HARNESS
15	1	24220-1	BMK 3000 AIR/FUEL VALVE	51	1	63104	I/O INTERLOCK HARNESS
		24220-7	BMK 3000DF AIR/FUEL VALVE				
		24220-8	BMK 2500 AIR/FUEL VALVE				
		24220-9	BMK 2500DF AIR/FUEL VALVE				
<b>HOSES, GASKETS &amp; INSULATION</b>				53	1	124310	TRANSFORMER 460V
16	1	97005-9	FLEX TUBE 48" (1.2 m) LG	54	1	33170	MOUNTING PANEL
17	1	80081	SHELL INSULATION	55	1	124324	GROUND BAR
<b>BLOWER</b>				56	1	65162	24V POWER SUPPLY (Sequencing Valve)
18	1	24350	BLOWER 460V	57	1	63103	SHELL HARNESS
		24351	BLOWER 208V	58	1	63109	GAS TRAIN HARNESS: BMK 3000
19	1	81157	BLOWER GASKET	59	1	61024	AIR INLET TEMPERATURE SENSOR
20	1	88015	BLOWER O-RING	60	1	69102-3	PUMP RELAY
21	1	66034	FLAME DETECTOR	61	1	61030	SENSOR: OUTLET TEMPERATURE
22	1	61026	LEAN OXYGEN SENSOR	62	1	69151	PCB ASSY
23	1	59104	OBSERVATION PORT				
24	1	58023	IGNITOR REPLACEMENT KIT	64	1	65104	CABLE, H.V. IGNITION
25	1	88014	AIR FILTER	65	1	63059	HARNESS: DRIVE REACTOR BMK 3.0
26	1	43091	BLOWER PLENUM	66	1	63083	HARNESS: O <sub>2</sub> SENSOR

① Not shown on drawing

② Only used in 460 v units

AERCO International, Inc. Blauvelt, NY 10913	<b>Benchmark 2500/2500DF, 3000/3000DF Part List</b>	12/15/2016
	<b>28536-TAB rev C, 28382-TAB rev D</b>	Sheet 1 of 9

Benchmark 2500/3000 & 2500DF/3000DF Parts List – Continued							
Item #	Qty	Part #	Description	Item #	Qty	Part #	Description
67 ❶	1	63111	HARNES: CONTROL	<b>OTHER ACCESSORIES &amp; PARTS</b>			
68 ❶❷	1	63004	HARNES: 460V TRANSFORMER	87 ❶	1	SEE TABLE A	PRESSURE/TEMP GAUGE
69 ❶	1	63090	HARNES: TEMP LIM CONTROL	88 ❶	1	SEE TABLE A	PRESSURE RELIEF VALVE KIT
70 ❶	1	61034	SPARK MONITOR	89 ❶	1	123540	EXT. MANUAL SHUT-OFF VALVE
<b>SHEET METAL/PANEL ASSEMBLY</b>				90	1	69126	LOW WATER CUTOFF/CAPACITOR ASSY
71	2	59179	HANDLE, CONCEALED PULL				
72	1	37149	BACK PANEL: LEFT	91	1	123863	1/8" NTP BALL VALVE
73	1	37148	BACK PANEL RIGHT	92	1	92094	3/4" DRAIN VALVE
74	2	35046	TOP RAIL	93 ❶	1	59043	CONDENSATE FLOAT
75	1	25087	FRONT FRAME ASSEMBLY	94 ❶	1	24441	COND. TRAP ASSY
76	1	25086	FRONT PANEL	95	1	59178	1/8" AIR VENT
79	8	59133	LATCH, COMPRESSION				
80	1	30156	FRONT TOP PANEL				
81	1	30157	BACK TOP PANEL				
82	2	30155	SIDE PANEL	100 ❶	1	92084-6	MOTORIZED SEQUENCING VALVE (OPTIONAL)
83	1	74039	BENCHMARK LOGO LABEL				
84	1	39215	AIR INLET ADAPTER, 8"				
85	2	38044	AIR INLET COVER PANEL				

❶ Not shown on drawings shown below

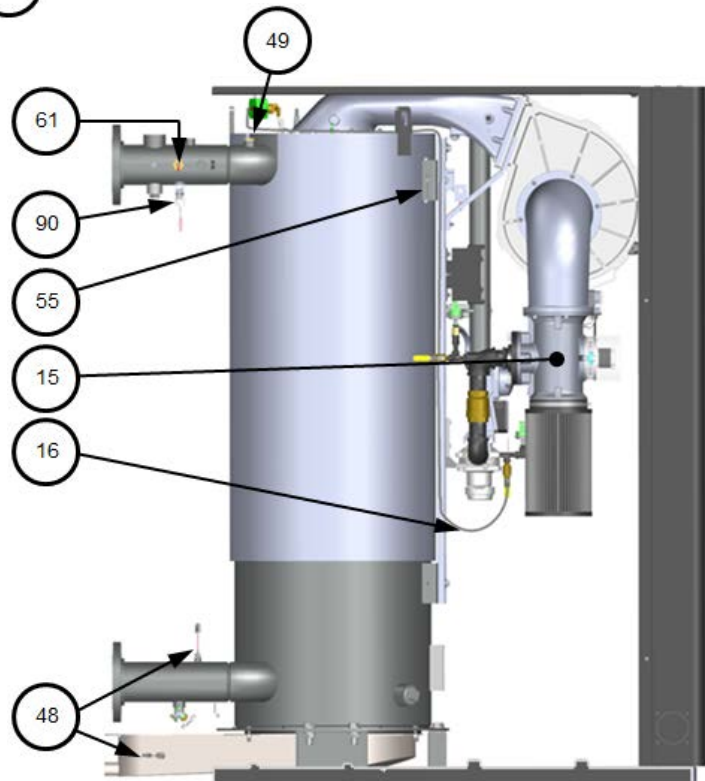
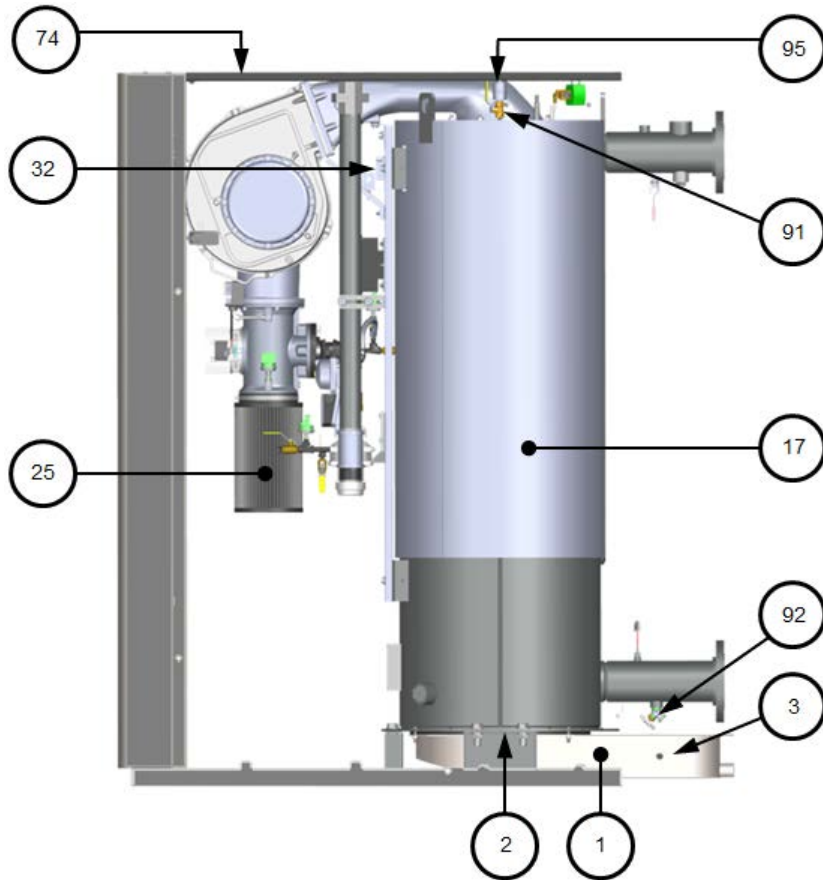
❷ Used only on 460 v units

TABLE A: SPARE PARTS KITS			
Description	Kit Number	Item 88	Item 87
30 PSI (207 kPa) KIT (CONBRACO)	58048-C30	92016-1	123675-5
50 PSI (345 kPa) KIT (CONBRACO)	58048-C50	92016-2	123675-5
60 PSI (414 kPa) KIT (CONBRACO)	58048-C60	92016-3	123675-6
75 PSI (517 kPa) KIT (CONBRACO)	58048-C75	92016-4	123675-6
100 PSI (689 kPa) KIT (CONBRACO)	58048-C100	92016-5	123675-6
125 PSI (862 kPa) KIT (CONBRACO)	58048-C125	92016-6	123675-6
150 PSI (1034 kPa) KIT (CONBRACO)	58048-C150	92016-7	123675-7
50 PSI (345 kPa) KIT (WATTS)	58048-W50	92016-8	123675-5
60 PSI (414 kPa) KIT (WATTS)	58048-W60	92016-9	123675-6
75 PSI (517 kPa) KIT (WATTS)	58048-W75	92016-10	123675-6
100 PSI (689 kPa) KIT (WATTS)	58048-W100	92016-11	123675-6
125 PSI (862 kPa) KIT (WATTS)	58048-W125	92016-12	123675-6
150 PSI (1034 kPa) KIT (WATTS)	58048-W150	92016-13	123675-7
160 PSI (1103 kPa) KIT (KUNKLE)	58048-K160	92016-14	123675-7

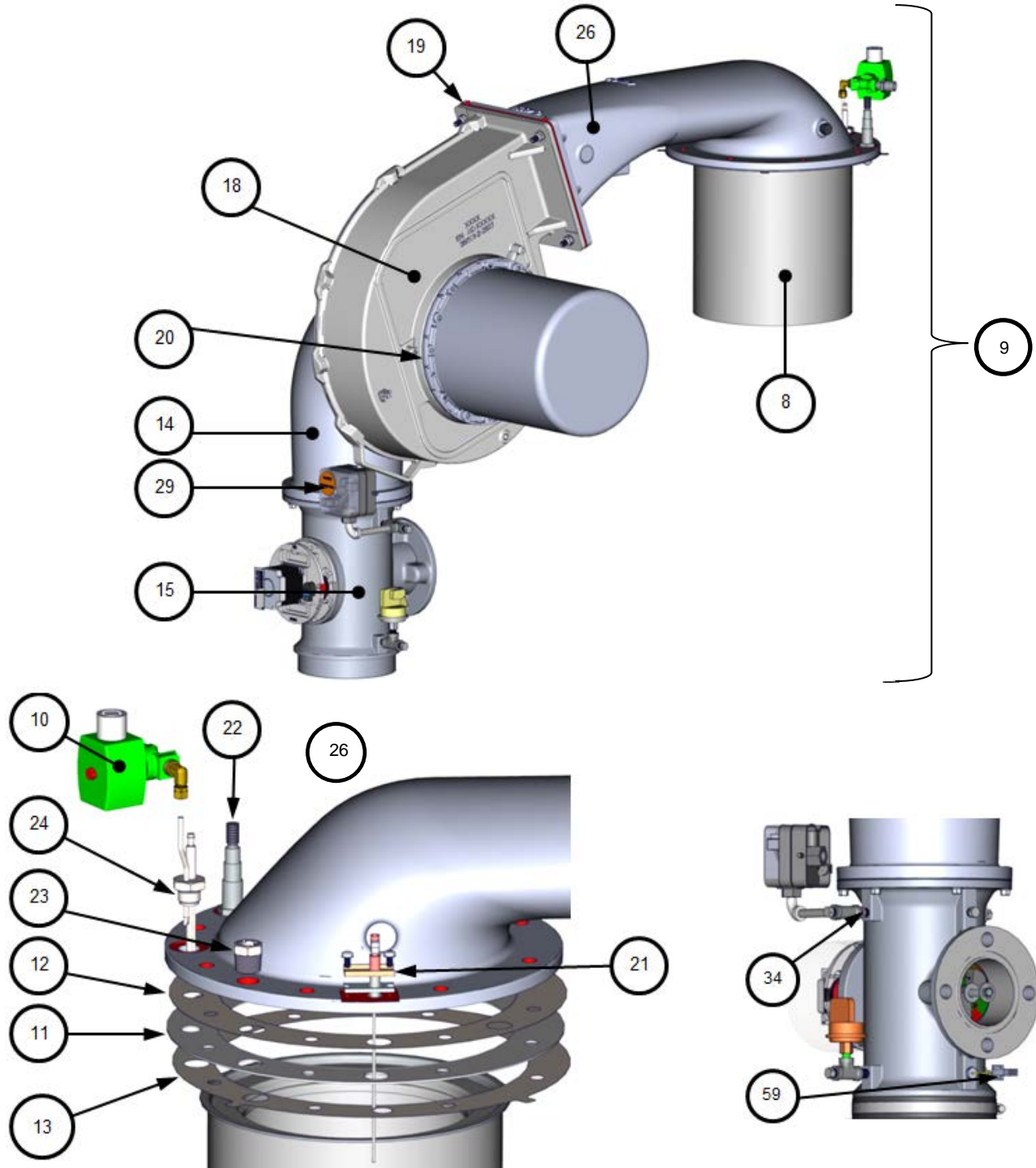
TABLE B: Benchmark 2500-3000 Kits	
Part #	Description
24311-1	AIR/FUEL VALVE KIT
58063-1	BLOWER REPLACEMENT KIT - 460V
58063-2	BLOWER REPLACEMENT KIT - 208V
24356-1	FLAME DETECTOR KIT
58023	IGNITOR-INJECTOR REPLACEMENT KIT

AERCO International, Inc. Blauvelt, NY 10913	<b>Benchmark 2500/2500DF, 3000/3000DF Part List</b>	12/15/2016
	<b>28536-TAB rev C, 28382-TAB rev D</b>	Sheet 2 of 9

APPENDIX H – BENCHMARK 2500/3000 PART LISTS



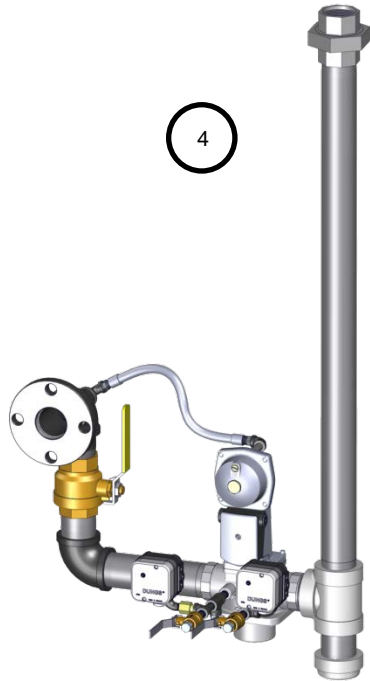
AERCO International, Inc. Blauvelt, NY 10913	<b>Benchmark 2500/2500DF, 3000/3000DF Part List</b>	12/15/2016
	<b>28536-TAB rev C, 28382-TAB rev D</b>	Sheet 3 of 9



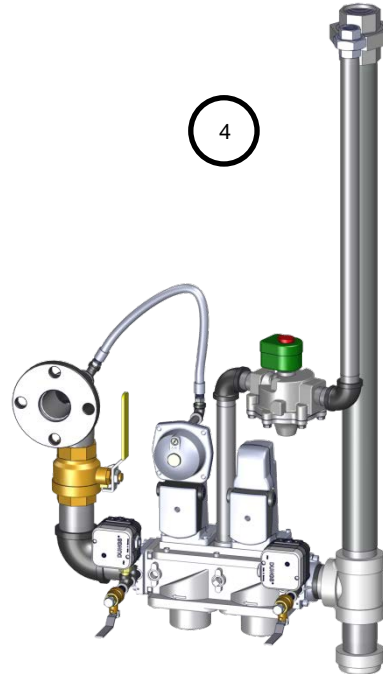
**BURNER GASKETS – EXPLODED VIEW**

Benchmark 2500/3000  
 Burner-Air/Fuel Valve Assembly  
 P/N 26015 & 26014

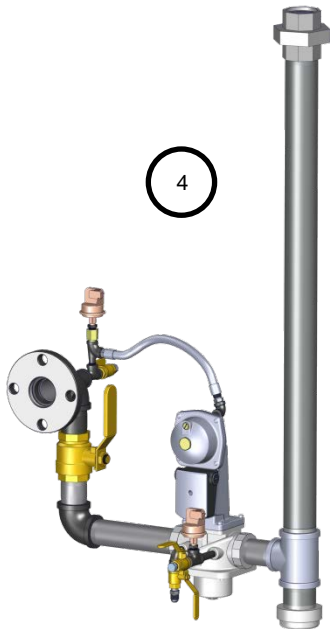
AERCO International, Inc. Blauvelt, NY 10913	<b>Benchmark 2500/2500DF, 3000/3000DF Part List</b>	12/15/2016
	<b>28536-TAB rev C, 28382-TAB rev D</b>	Sheet 4 of 9



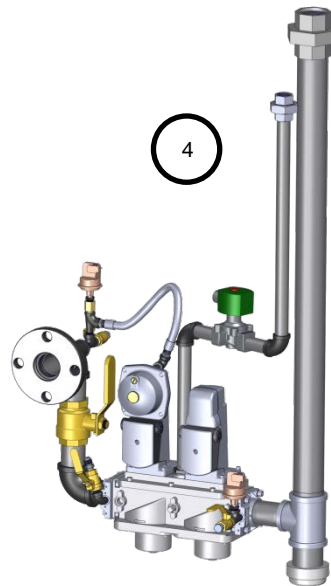
Benchmark 3000 **Single Fuel**  
Standard FM Gas Train  
P/N 22171  
See full drawing below



Benchmark 3000 **Single Fuel**  
Double Block & Bleed Gas Train  
P/N 22173  
See full drawing below

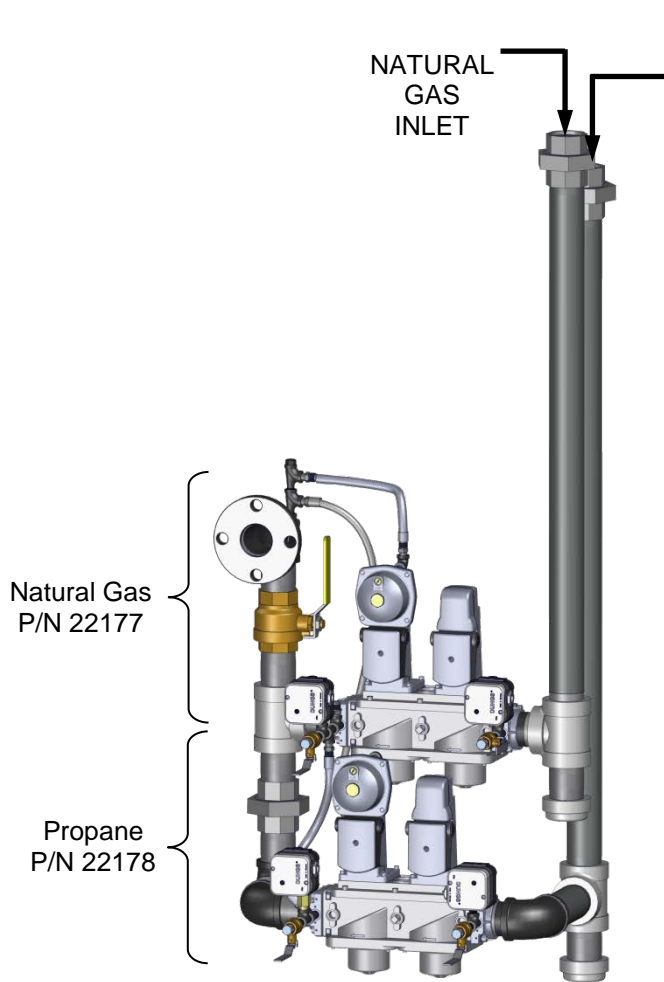


Benchmark 2500 **Single Fuel**  
Standard FM Gas Train  
P/N 22190  
See full drawing below

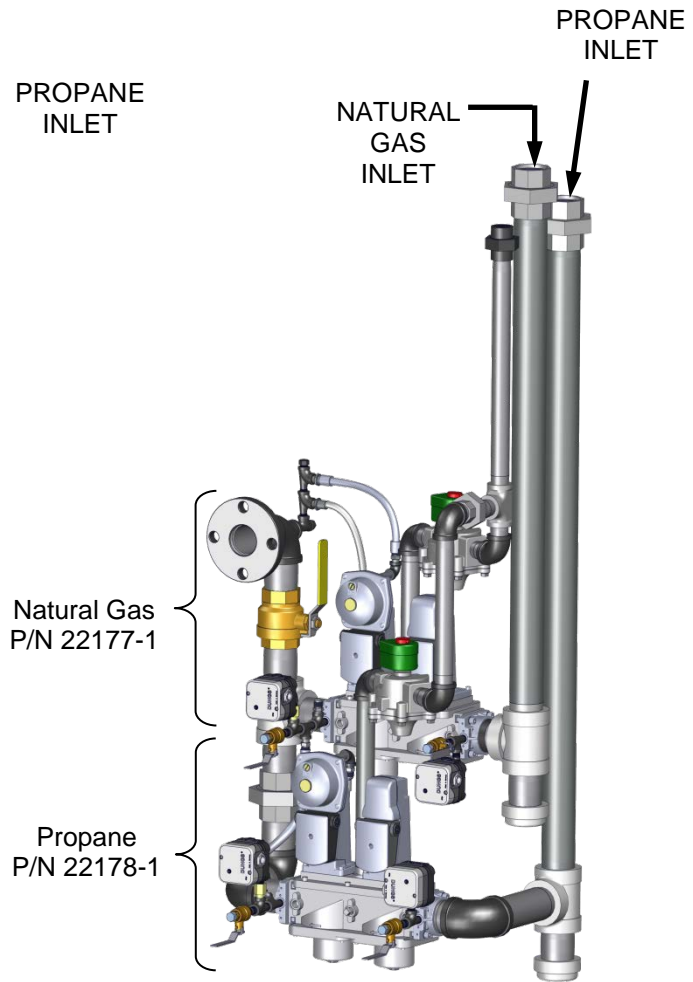


Benchmark 2500 **Single Fuel**  
Double Block & Bleed Gas Train  
P/N 22211  
See full drawing below

AERCO International, Inc. Blauvelt, NY 10913	<b>Benchmark 2500/2500DF, 3000/3000DF Part List</b>	12/15/2016
	28536-TAB rev C, 28382-TAB rev D	Sheet 5 of 9



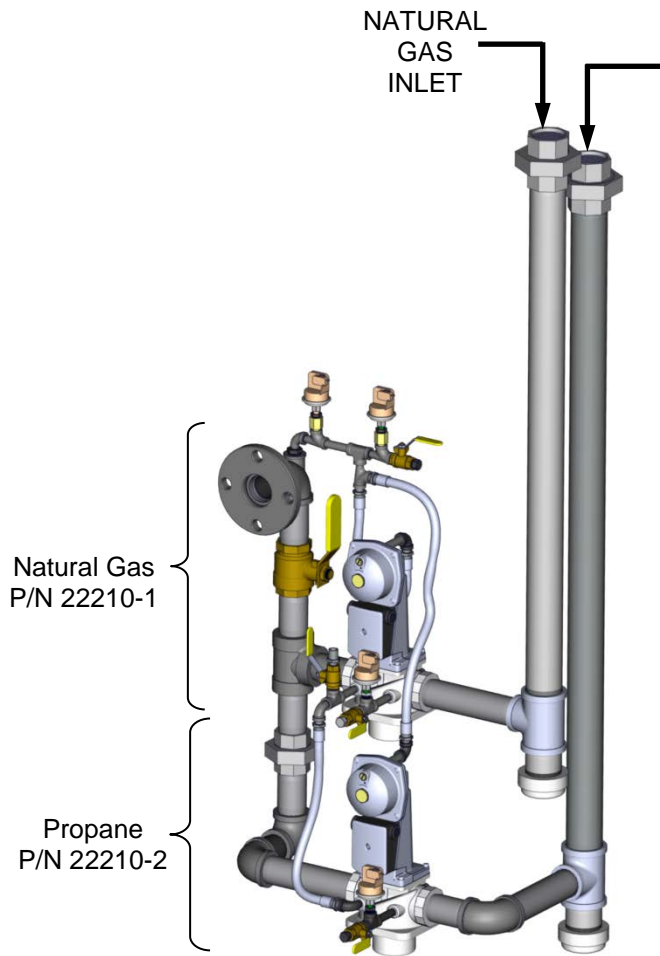
**Benchmark 3000 Dual Fuel**  
 FM Gas Train  
 P/N 22174  
 See below for full diagram  
 and part list



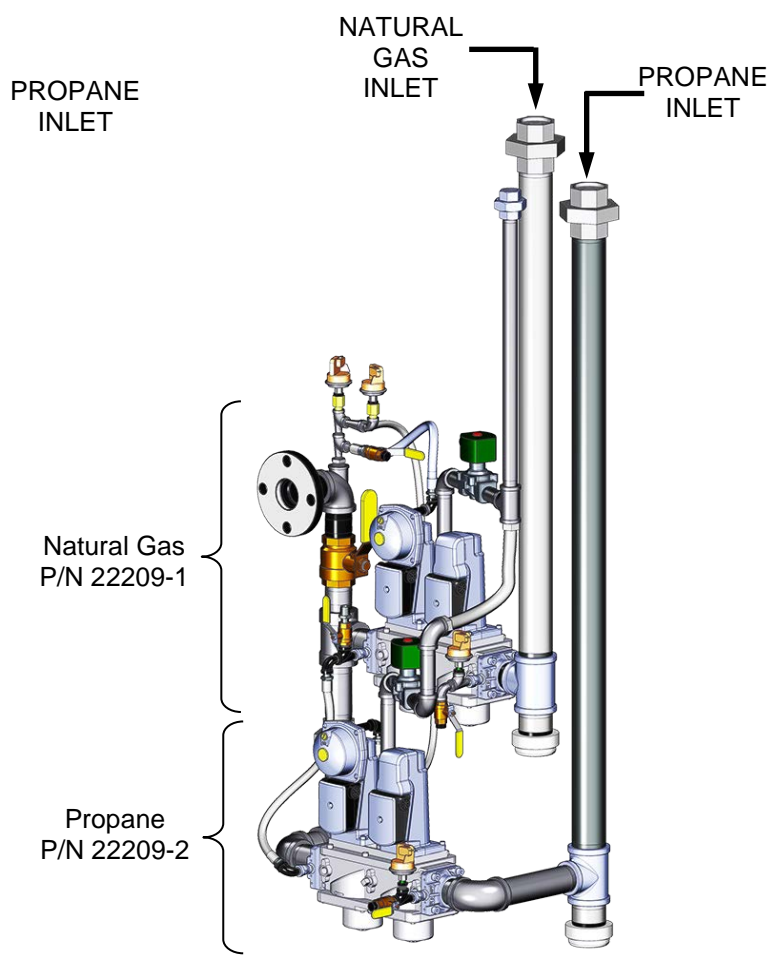
**Benchmark 3000 Dual Fuel**  
 Double Block & Bleed Gas Train  
 P/N 22183  
 See below for full diagram  
 and part list

AERCO International, Inc. Blauvelt, NY 10913	<b>Benchmark 2500/2500DF, 3000/3000DF Part List</b>	12/15/2016
	<b>Whole Boiler 28536-TAB – 28382-TAB</b>	Sheet 6 of 9



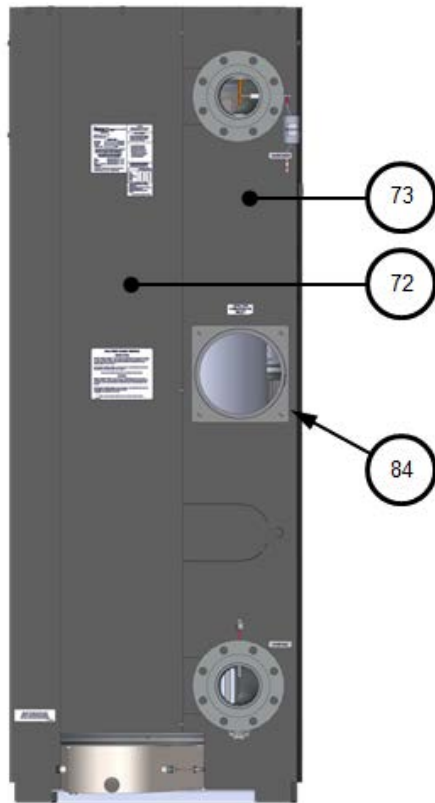


**Benchmark 2500 Dual Fuel**  
 FM Gas Train  
 P/N 22210  
 See below for full diagram  
 and part list

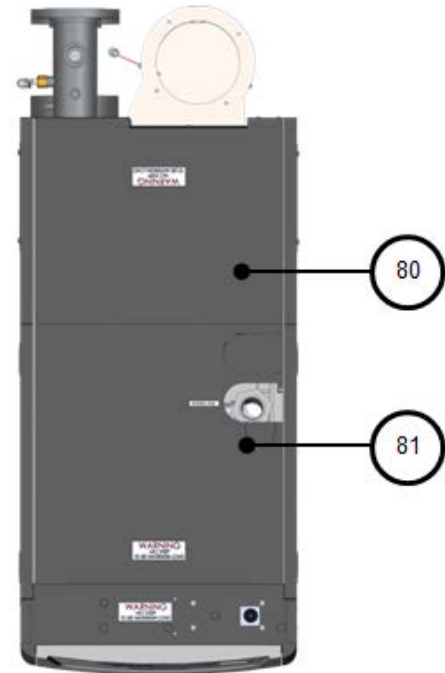


**Benchmark 2500 Dual Fuel**  
 Double Block & Bleed Gas Train  
 P/N 22209  
 See below for full diagram  
 and part list

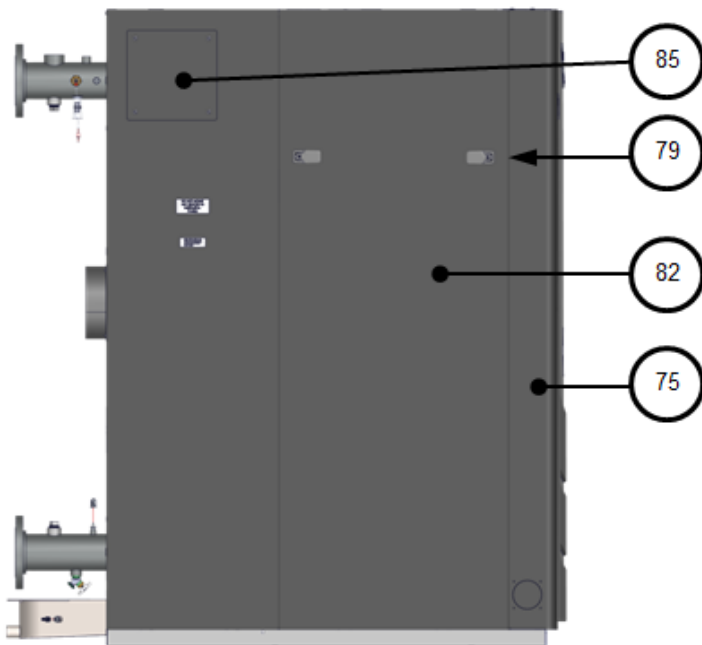
AERCO International, Inc. Blauvelt, NY 10913	<b>Benchmark 2500/2500DF, 3000/3000DF Part List</b>	12/15/2016
	<b>28536-TAB rev C, 28382-TAB rev D</b>	Sheet 7 of 9



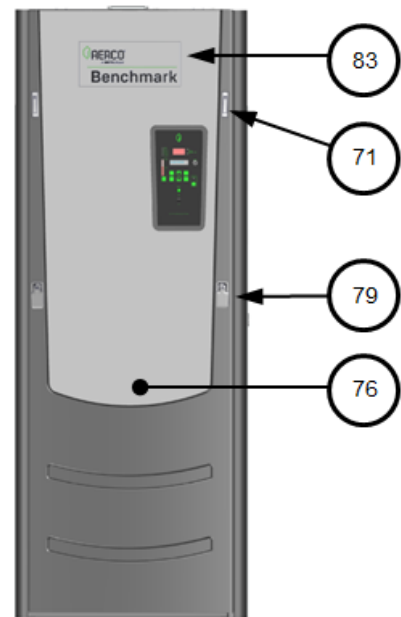
REAR VIEW



TOP VIEW



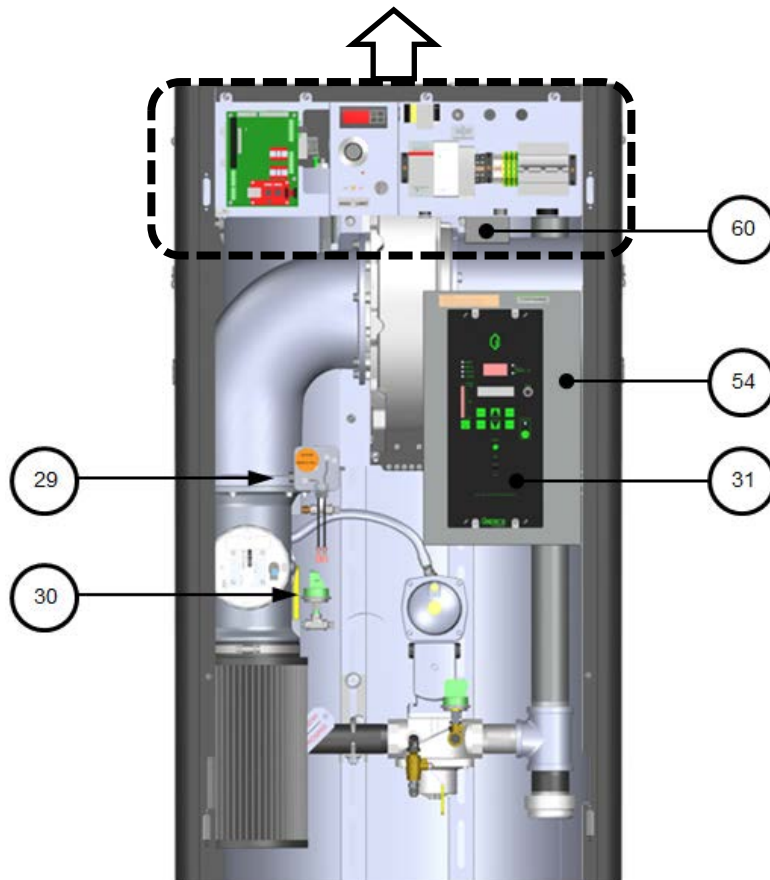
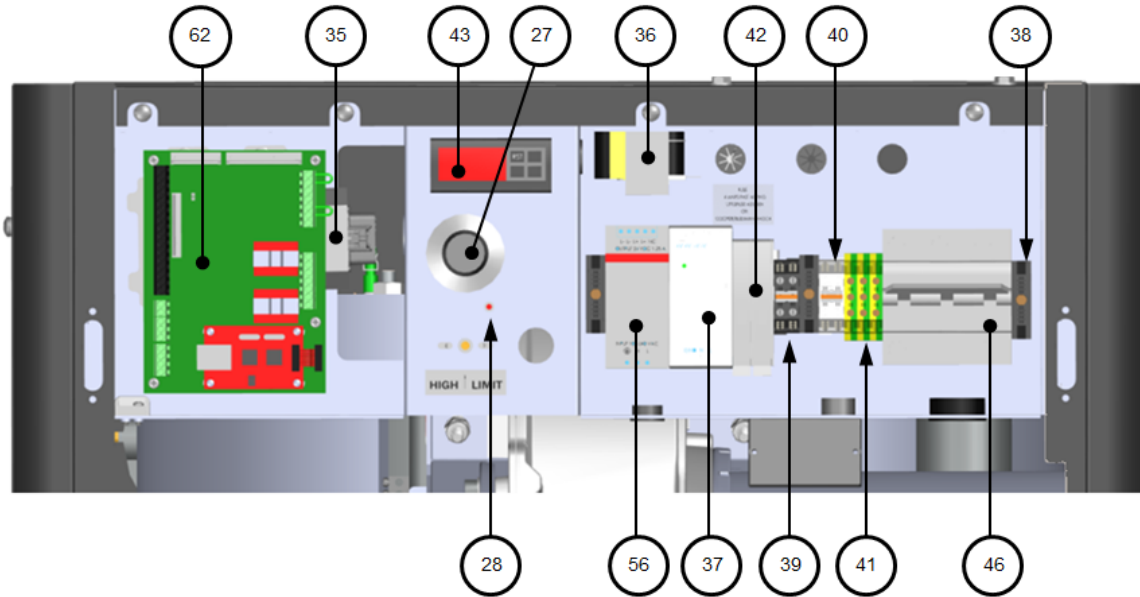
LEFT SIDE VIEW



FRONT VIEW

AERCO International, Inc. Blauvelt, NY 10913	<b>Benchmark 2500/2500DF, 3000/3000DF Part List</b>	12/15/2016
	<b>28536-TAB rev C, 28382-TAB rev D</b>	Sheet 8 of 9

APPENDIX H – BENCHMARK 2500/3000 PART LISTS

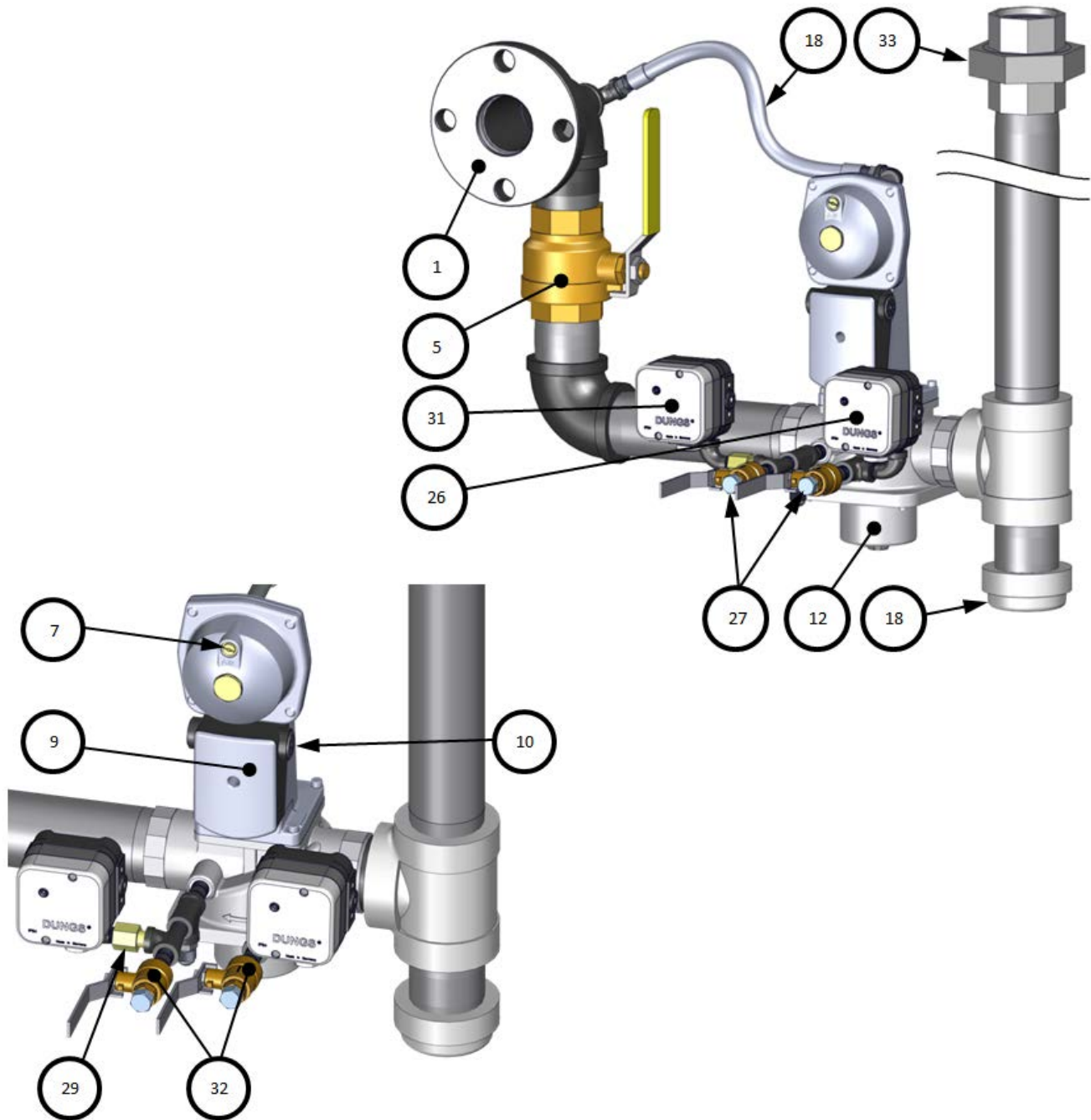


PARTIAL FRONT VIEW – FRONT PANEL REMOVED

AERCO International, Inc. Blauvelt, NY 10913	<b>Benchmark 2500/2500DF, 3000/3000DF Part List</b>	12/15/2016
	<b>28536-TAB rev C, 28382-TAB rev D</b>	Sheet 9 of 9

**Benchmark 3000 FM Gas Train – P/N 22171 rev J**

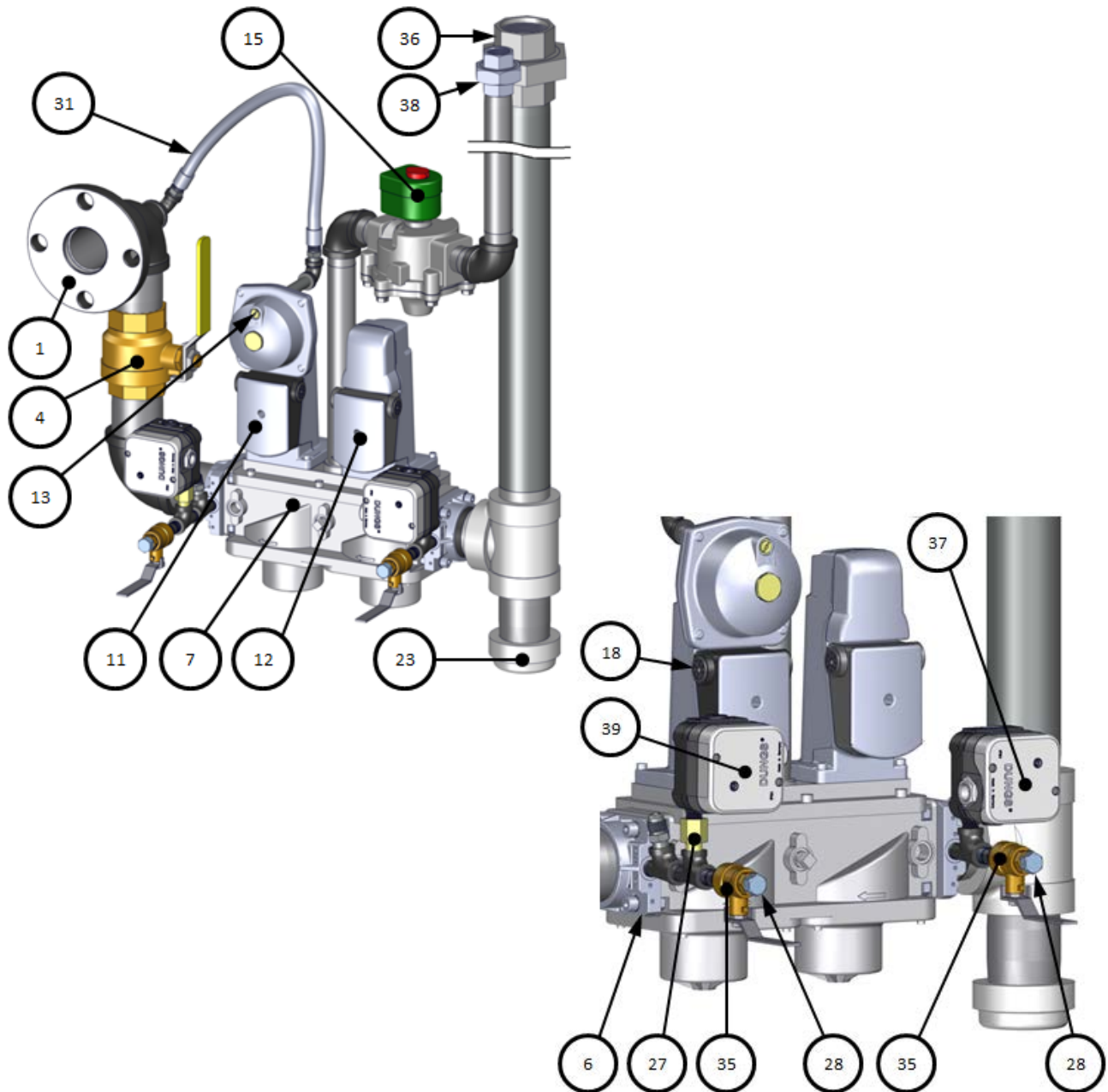
Item	Qty.	P/N	Description	Item	Qty.	P/N	Description
1	1	123542	FLANGE 2" 125# 2" NPT	26	1	60020	SWITCH: GAS PRESSURE 2-20" W.C.
5	1	123540	VALVE: BALL 2" FULL PORT	27	2	9-22	PIPE PLUG: 1/4" NPT: STEEL
7	1	99015	DAMPING ORIFICE: SSOV	29	1	99017	SNUBBER: PRESSURE: 1/4"
9	1	69005	ACTUATOR: SSOV W/ REGULATOR	31	1	60032	SWITCH: GAS PRESSURE 1-20" W.C.
10	2	12951-2	BUSHING: CONTROL BOX	32	2	92143	1/4" BALL VALVE: WATTS
12	1	124136	VALVE: SSOV 2" NPT	33	1	9-294	UNION: 2" NPT 300#
18	1	97087-12	FLEX GAS TUBING 12"				



AERCO International, Inc. Blauvelt, NY 10913	<b>Benchmark 3000 FM Gas Train</b>	01/17/2017
	<b>P/N 22171 rev J</b>	Sheet 1 of 1

**Benchmark 3000 DBB Gas Train – NATURAL GAS – 22173 rev K**

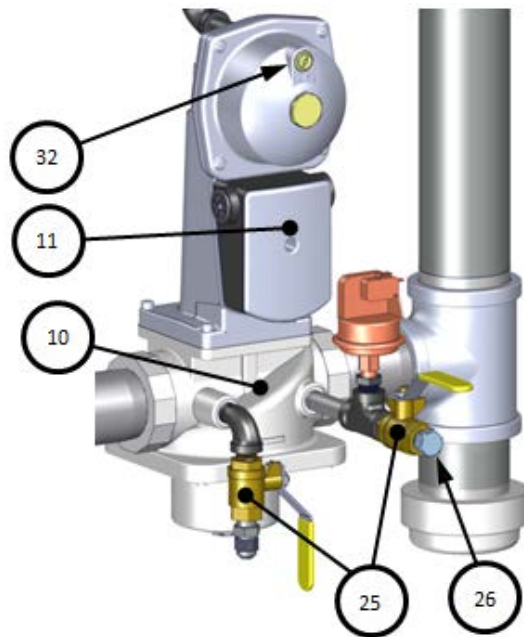
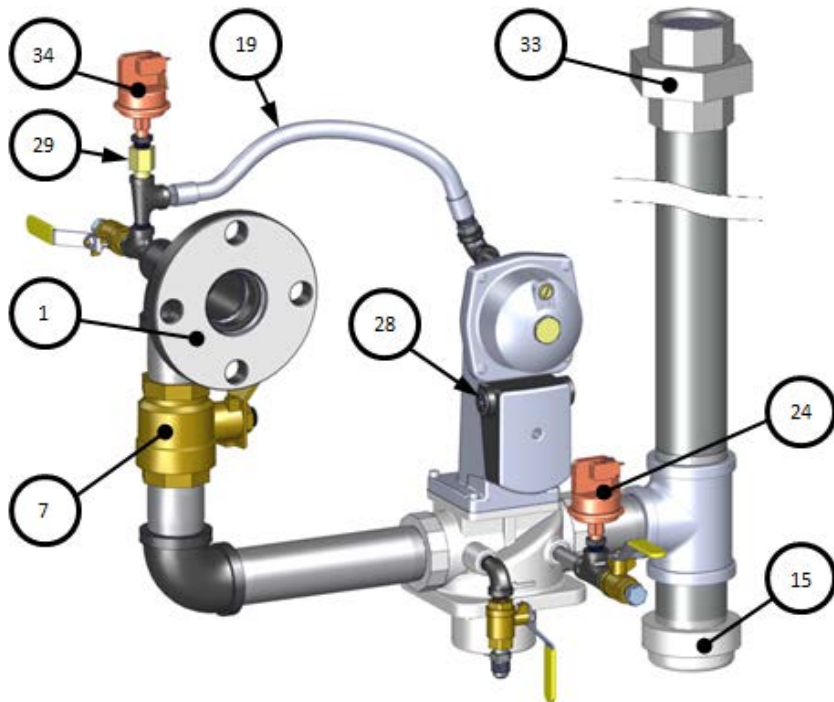
Item	Qty	Part #	Description	Item	Qty	Part #	Description
1	1	123542	FLANGE 2" 125# 2" NPT	23	1	93382	2" NPT CAP
4	1	123540	VALVE: BALL 2" FULL PORT	27	1	99017	SNUBBER: PRESSURE: 1/4"
6	2	95030	FLANGE: SSOV 2" NPT	28	2	9-22	PIPE PLUG: 1/4" NPT: STEEL
7	1	124142	VALVE: SSOV: DOUBLE BODY: 2" NPT	31	1	97087-16	TUBING: FLEXIBLE GAS 12"
11	1	69005	ACTUATOR: SSOV W/ REGULATOR	35	2	92143	1/4" BALL VALVE: WATTS
12	1	69038	ACTUATOR: SSOV W/O P.O.C. SWITCH	36	1	9-294	UNION: 2" NPT 300#
13	1	99015	DAMPING ORIFICE: SSOV	37	1	60020	SWITCH: GAS PRESSURE 2-20" W.C.
15	1	123769	VALVE: SOLENOID N.O. 1" NPT	38	1	124094	UNION: 3/4" NPT #150
18	4	12951-2	BUSHING: CONTROL BOX	39	1	60032	SWITCH: GAS PRESSURE 2-20" W.C.



AERCO International, Inc. Blauvelt, NY 10913	<b>Benchmark 3000 DBB Gas Train – Natural Gas</b>	01/04/2017
	<b>22173 rev K</b>	Sheet 1 of 2

**Benchmark 2500 FM Gas Train – 22190 rev D**

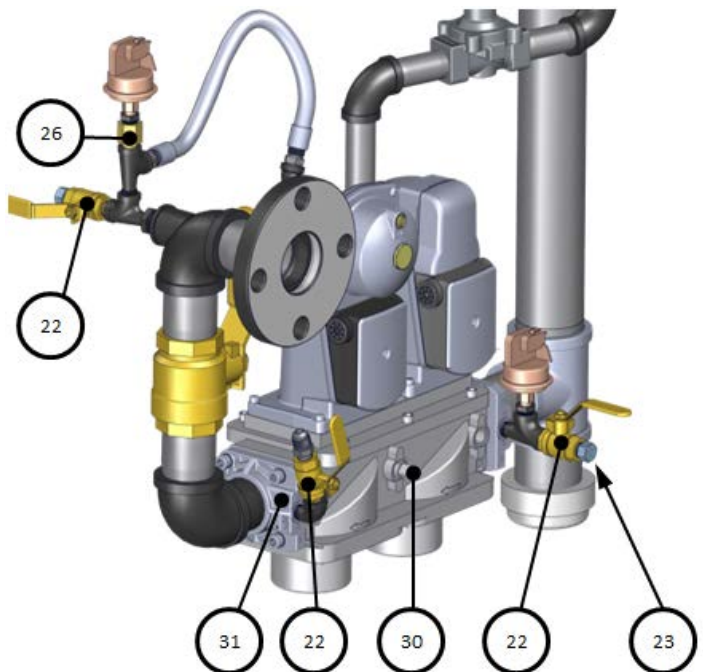
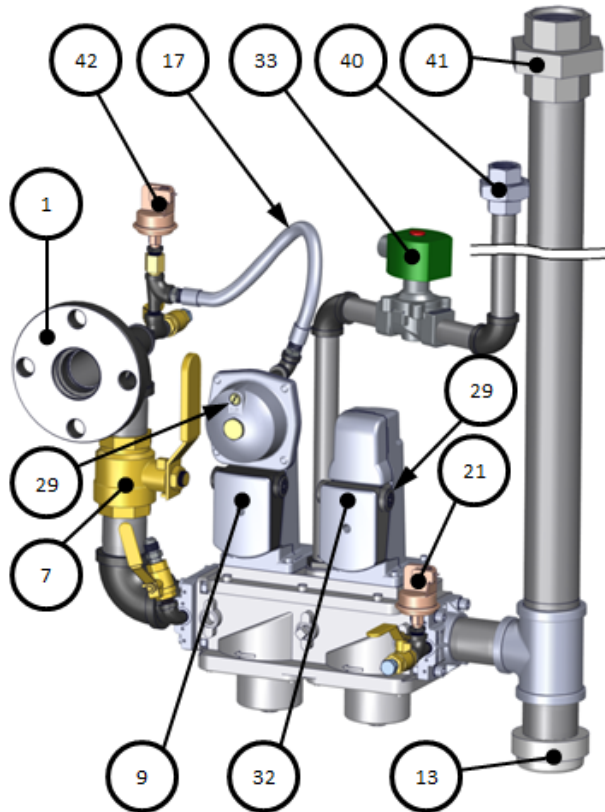
Item	Qty	Part #	Description	Item	Qty	Part #	Description
1	1	123542	FLANGE 2" 125# 2"NPT	25	3	92077	1/4" NPT MXF BRASS BALL VALVE
7	1	92006-7	VALVE: BALL BRASS 1-1/2" NPT	26	2	9-22	PIPE PLUG: 1/4" NPT: STEEL
10	1	124150	VALVE: SSOV 1-1/2" NPT	28	2	12951-2	BUSHING: CONTROL BOX
11	1	69005	ACTUATOR: SSOV W/ REGULATOR	29	1	99017	SNUBBER: PRESSURE: 1/4"
15	1	93382	2" NPT CAP	32	1	99015	DAMPING ORIFICE: SSOV
19	1	97087-12	Flex Tubing 12"	33	1	9-294	UNION: 2" NPT 300#
24	1	61002-11	LOW GAS PRESSURE SWITCH 3.6" W.C.	34	1	61002-22	HIGH GAS PRESSURE SWITCH 3.0" W.C.



AERCO International, Inc. Blauvelt, NY 10913	<b>Benchmark 2500 FM Gas Train</b>	07/21/2016
	<b>22190 – rev D</b>	Page 1 of 1

**Benchmark 2500 Natural Gas DBB Gas Train – 22211 rev E**

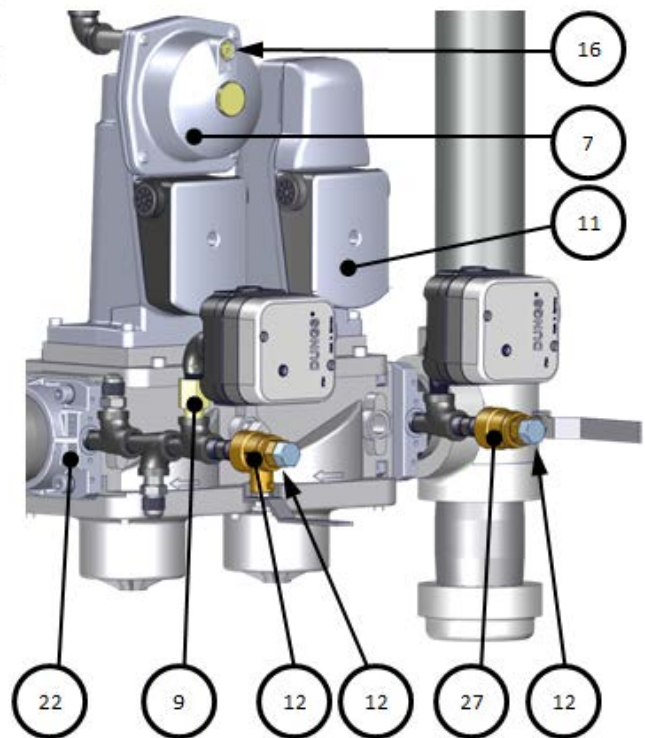
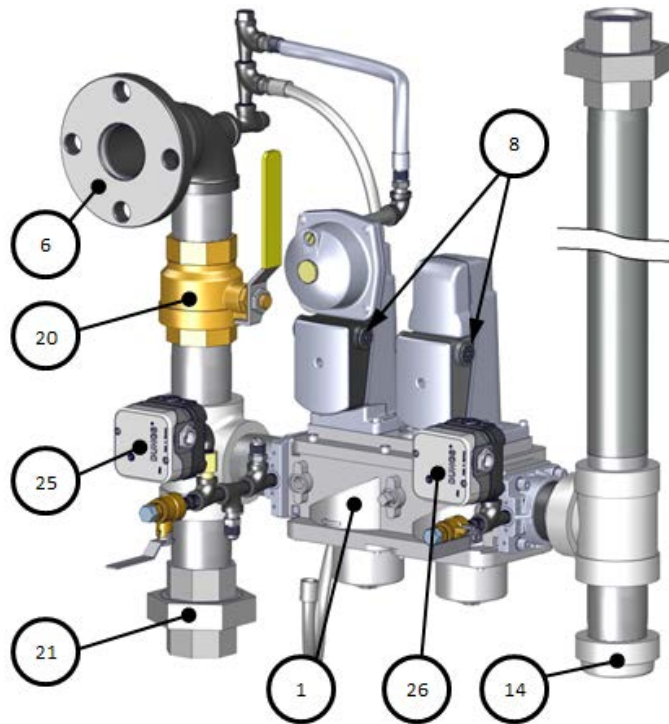
Item	Qty	Part #	Description	Item	Qty	Part #	Description
1	1	123542	FLANGE 2" 125# 2"NPT	26	1	99017	SNUBBER: PRESSURE: 1/4"
7	1	92006-7	VALVE: BALL BRASS 1-1/2" NPT	29	1	99015	DAMPING ORIFICE: SSOV
9	1	69005	ACTUATOR: SSOV W/ REGULATOR	30	1	124137	VALVE: SSOV: DOUBLE BODY: 1-1/2" NPT
13	1	93382	2" NPT CAP	31	2	95029	FLANGE: SSOV 1 1/2" NPT
17	1	97087-12	Flex Gas Tubing 12"	32	1	69038	ACTUATOR: SSOV W/O P.O.C. SWITCH
21	1	61002-11	LOW GAS PRESSURE SWITCH 3.6" W.C.	33	1	122774	VALVE: VENT 3/4" NPT
22	3	92077	1/4" NPT MXF BRASS BALL VALVE	40	1	124094	UNION: 3/4" NPT #150
23	2	9-22	PIPE PLUG: 1/4" NPT: STEEL	41	1	9-294	UNION: 2" NPT 300#
25	4	12951-2	BUSHING: CONTROL BOX	42	1	61002-22	HIGH GAS PRESSURE SWITCH: 3.0" W.C.



AERCO International, Inc. Blauvelt, NY 10913	<b>Benchmark 2500 Natural Gas DBB Gas Train</b>	07/22/2016
	<b>22211 rev E</b>	Sheet 1 of 2

**Benchmark 3000 DF Gas Train – NATURAL GAS – 22177 rev F**

Item	Qty	Part #	Description	Item	Qty	Part #	Description
1	1	124142	VALVE: SSOV: DOUBLE BODY: 2" NPT	16	1	99015	DAMPING ORIFICE: SSOV
6	1	123542	FLANGE 2" 125# 2"NPT	20	1	123540	VALVE: BALL 2" FULL PORT
7	1	69005	ACTUATOR: SSOV W/ REGULATOR	21	1	9-294	UNION: 2" NPT 300#
8	4	12951-2	BUSHING: CONTROL BOX	22	2	95030	FLANGE: SSOV 2" NPT
9	1	99017	SNUBBER: PRESSURE: 1/4"	25	1	60032	SWITCH: GAS PRESSURE 2-20" W.C.
11	1	69038	ACTUATOR: SSOV W/O P.O.C. SWITCH	26	1	60020	SWITCH: GAS PRESSURE 2-20" W.C.
12	2	9-22	PIPE PLUG: 1/4" NPT: STEEL	27	2	92143	1/4" BALL VALVE: WATTS
14	1	93382	2" NPT CAP				

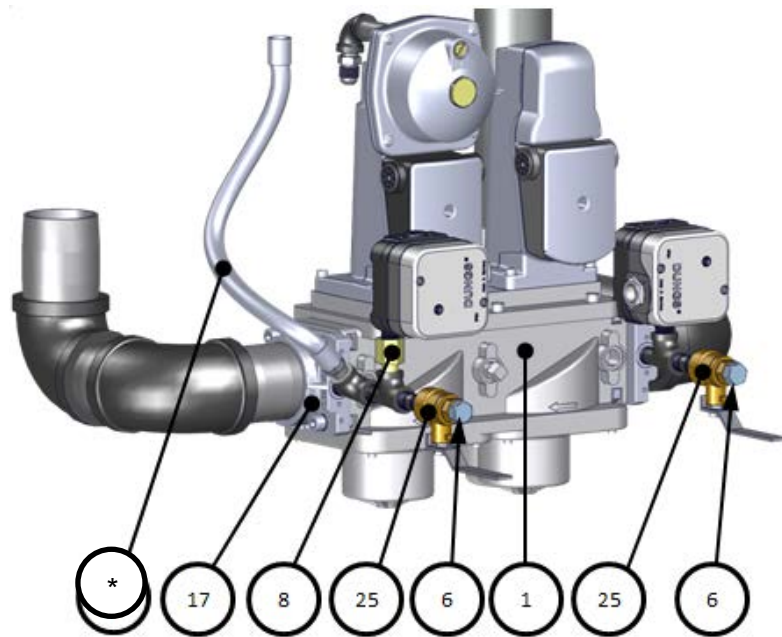
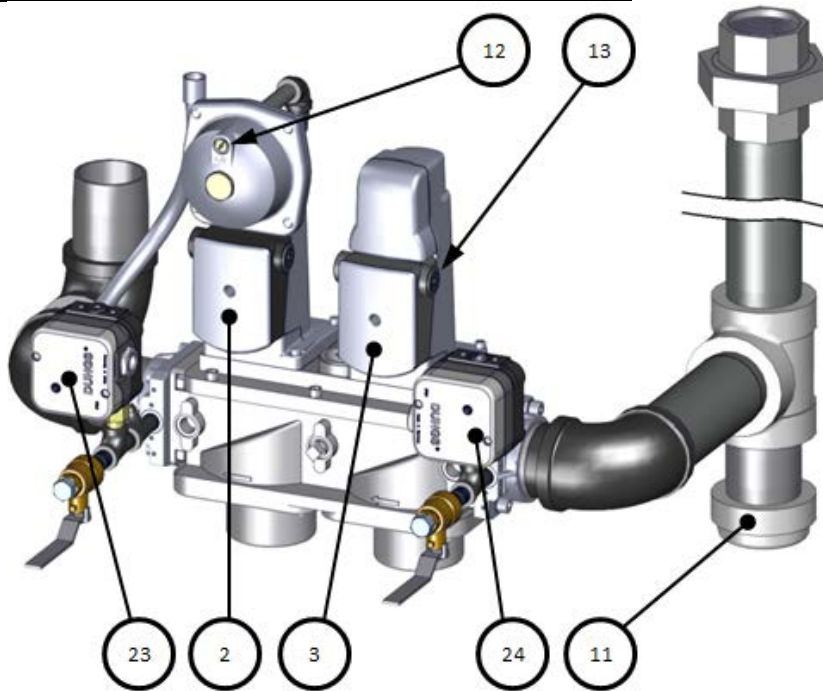


AERCO International, Inc. Blauvelt, NY 10913	<b>Benchmark 3000DF Gas Train – NATURAL GAS</b>	01/03/2017
	<b>22177 rev F, component of 22174</b>	Sheet 1 of 1



**Benchmark 3000 DF PROPANE Gas Train – 22178 rev F**

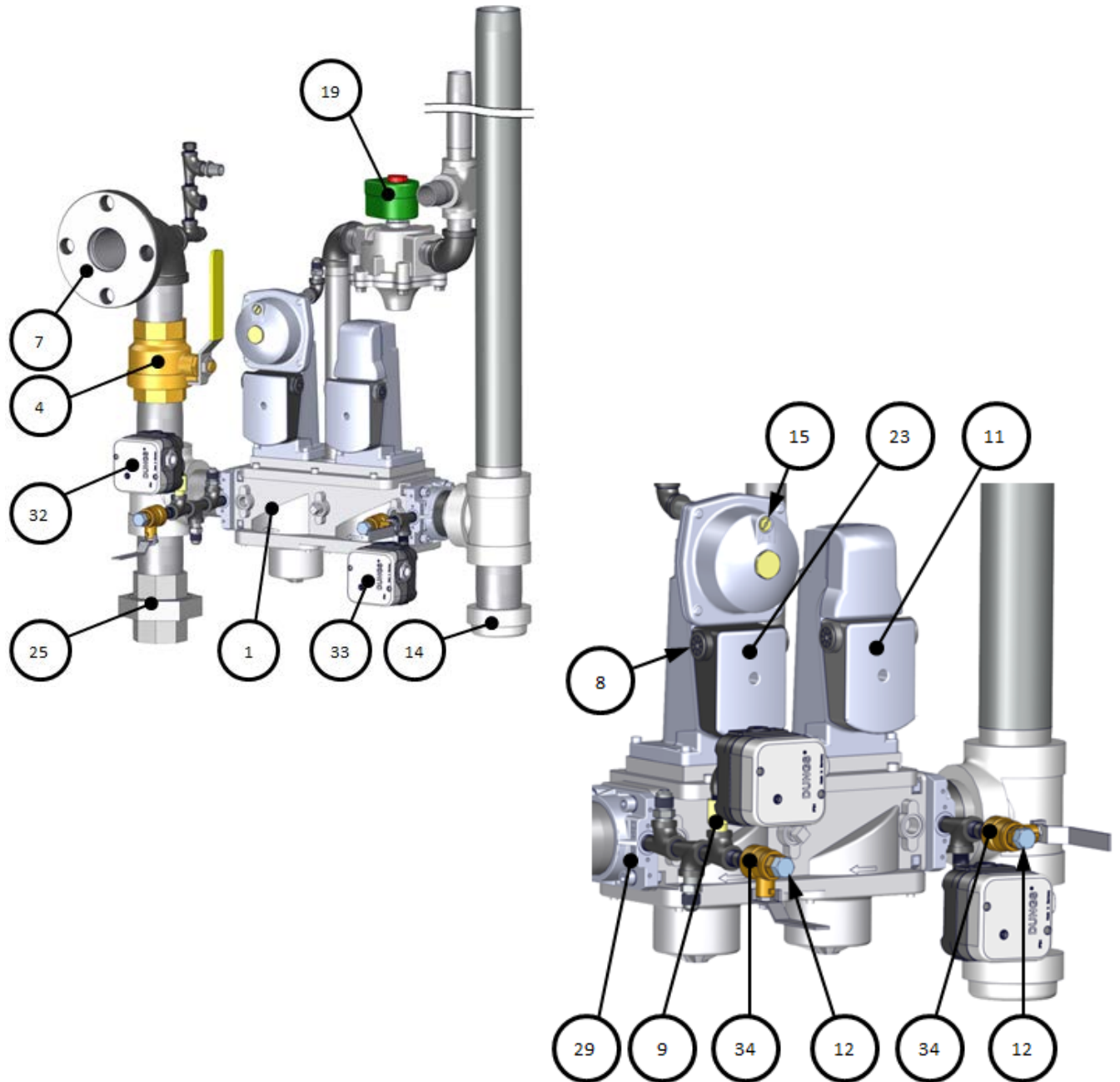
Item	Qty	Part #	Description	Item	Qty	Part #	Description
1	1	124142	VALVE: SSOV: DOUBLE BODY: 2" NPT	13	4	12951-2	BUSHING: CONTROL BOX
2	1	69005	ACTUATOR: SSOV W/ REGULATOR	17	2	95030	FLANGE: SSOV 2" NPT
3	1	69038	ACTUATOR: SSOV W/O P.O.C. SWITCH	23	1	60032	SWITCH: GAS PRESSURE 2-20" W.C.
6	2	9-22	PIPE PLUG: 1/4" NPT: STEEL	24	1	60020	SWITCH: GAS PRESSURE 2-20" W.C.
8	1	99017	SNUBBER: PRESSURE: 1/4"	25	2	92143	1/4" BALL VALVE: WATTS
11	1	93382	2" NPT CAP	*	1	97087-12	FLEX HOSE 12"
12	1	99015	DAMPING ORIFICE: SSOV				



AERCO International, Inc. Blauvelt, NY 10913	<b>Benchmark 3000 DF Gas Train – PROPANE</b>	01/03/2017
	<b>22178 rev F, component of 22174</b>	Sheet 1 of 1

**Benchmark 3000 DF DBB NATURAL GAS Gas Train – 22177-1 rev F**

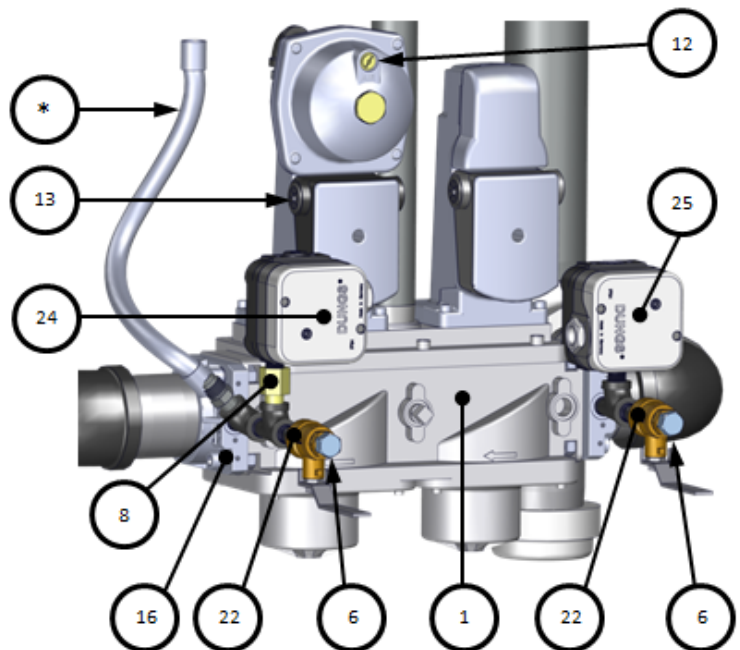
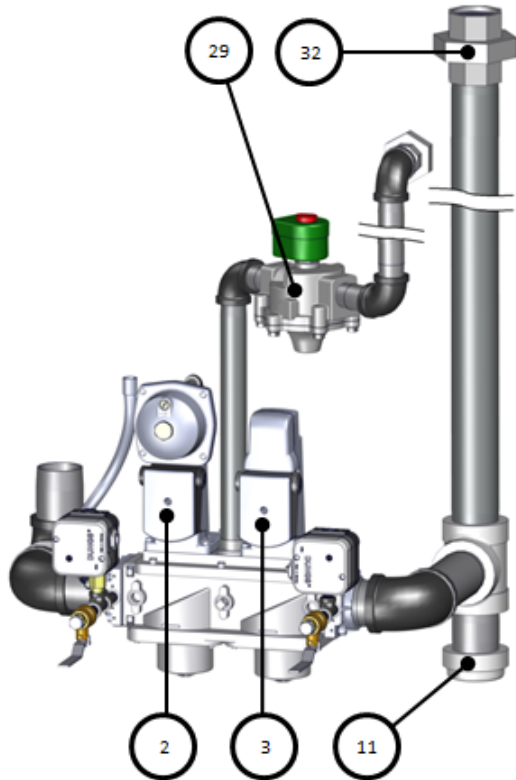
Item	Qty	Part #	Description	Item	Qty	Part #	Description
1	1	124142	VALVE: SSOV: DOUBLE BODY: 2" NPT	15	1	99015	DAMPING ORIFICE: SSOV
4	1	123540	VALVE: BALL 2" FULL PORT	19	1	123769	VALVE, SOLENOID N.O. 1" NPT
7	1	123542	FLANGE 2" 125# 2"NPT	23	1	69005	ACTUATOR: SSOV W/ REGULATOR
8	4	12951-2	BUSHING: CONTROL BOX	25	1	9-294	UNION: 2" NPT 300#
9	1	99017	SNUBBER: PRESSURE: 1/4"	29	2	95030	FLANGE: SSOV 2" NPT
11	1	69038	ACTUATOR: SSOV W/O P.O.C. SWITCH	32	1	60032	SWITCH: GAS PRESSURE 2-20" W.C.
12	2	9-22	PIPE PLUG: 1/4" NPT: STEEL	33	1	60020	SWITCH: GAS PRESSURE 2-20" W.C.
14	1	93382	2" NPT CAP	34	2	92143	1/4" BALL VALVE: WATTS



AERCO International, Inc. Blauvelt, NY 10913	<b>Benchmark 3000DF DBB Gas Train – NATURAL GAS</b>	01/03/2017
	<b>22177-1 rev F, component of 22183</b>	Sheet 1 of 1

**Benchmark 3000 DF DBB PROPANE Gas Train – 22178-1 rev E**

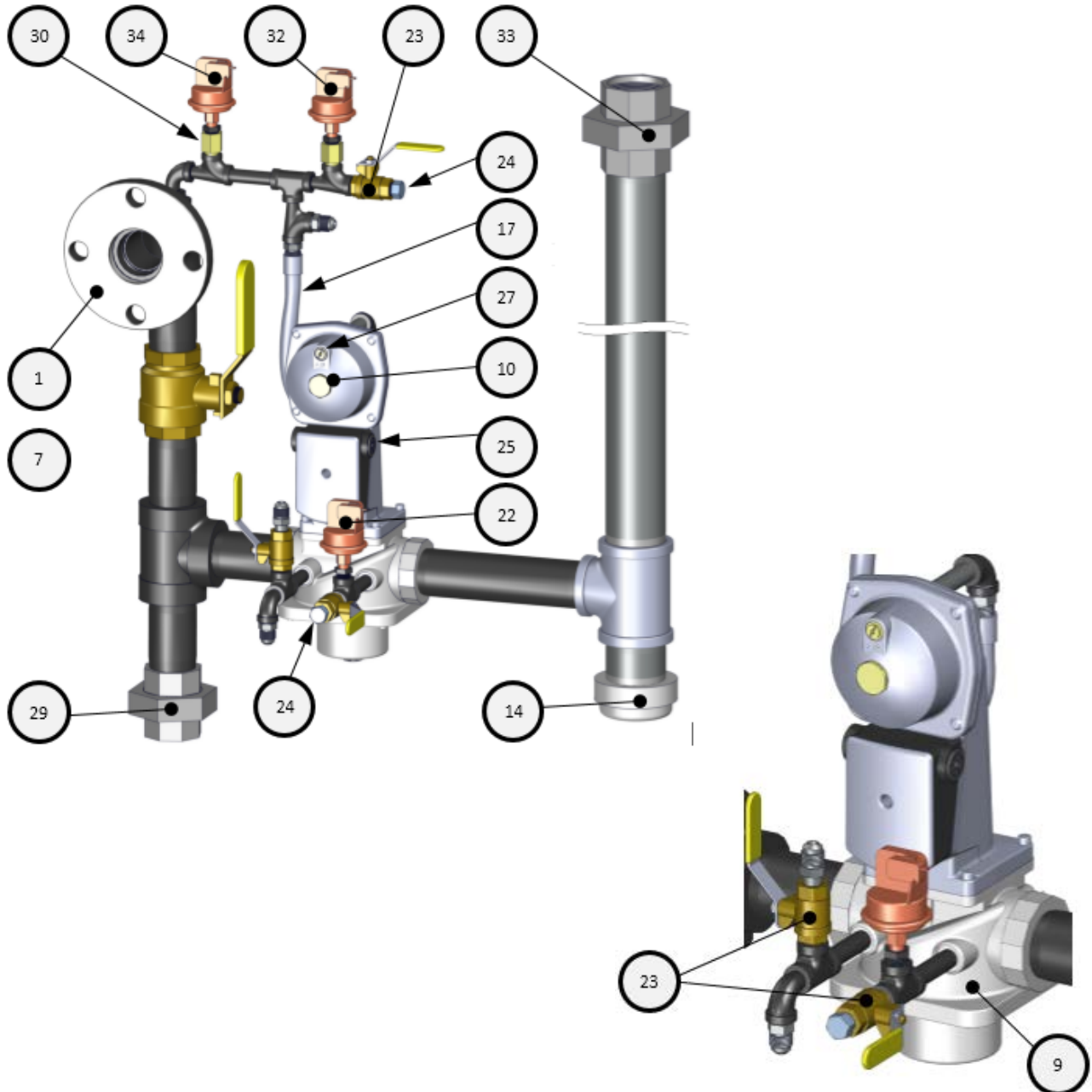
Item	Qty	Part #	Description	Item	Qty	Part #	Description
1	1	124142	VALVE: SSOV: DOUBLE BODY: 2" NPT	16	2	95030	FLANGE: SSOV 2" NPT
2	1	69005	ACTUATOR: SSOV W/ REGULATOR	22	2	92143	1/4" BALL VALVE: WATTS
3	1	69038	ACTUATOR: SSOV W/O P.O.C. SWITCH	24	1	60032	SWITCH: GAS PRESSURE 2-20" W.C.
6	2	9-22	PIPE PLUG: 1/4" NPT: STEEL	25	1	60020	SWITCH: GAS PRESSURE 2-20" W.C.
8	1	99017	SNUBBER: PRESSURE: 1/4"	29	1	123769	VALVE: SOLENOID N.O. 1" NPT
11	1	93382	2" NPT CAP	32	1	123771	UNION: MA x FEM 1" NPT: 150# M.I.
12	1	99015	DAMPING ORIFICE: SSOV	*	1	97005-5	FLEX HOSE, 18"
13	4	12951-2	BUSHING: CONTROL BOX				



AERCO International, Inc. Blauvelt, NY 10913	<b>Benchmark 3000 DF DBB Gas Train – PROPANE</b>	01/05/2017
	<b>22178-1 rev E, component of 22183</b>	Sheet 1 of 1

**Benchmark 2500 Dual Fuel FM Gas Train, Natural Gas – 22210-1 rev B**

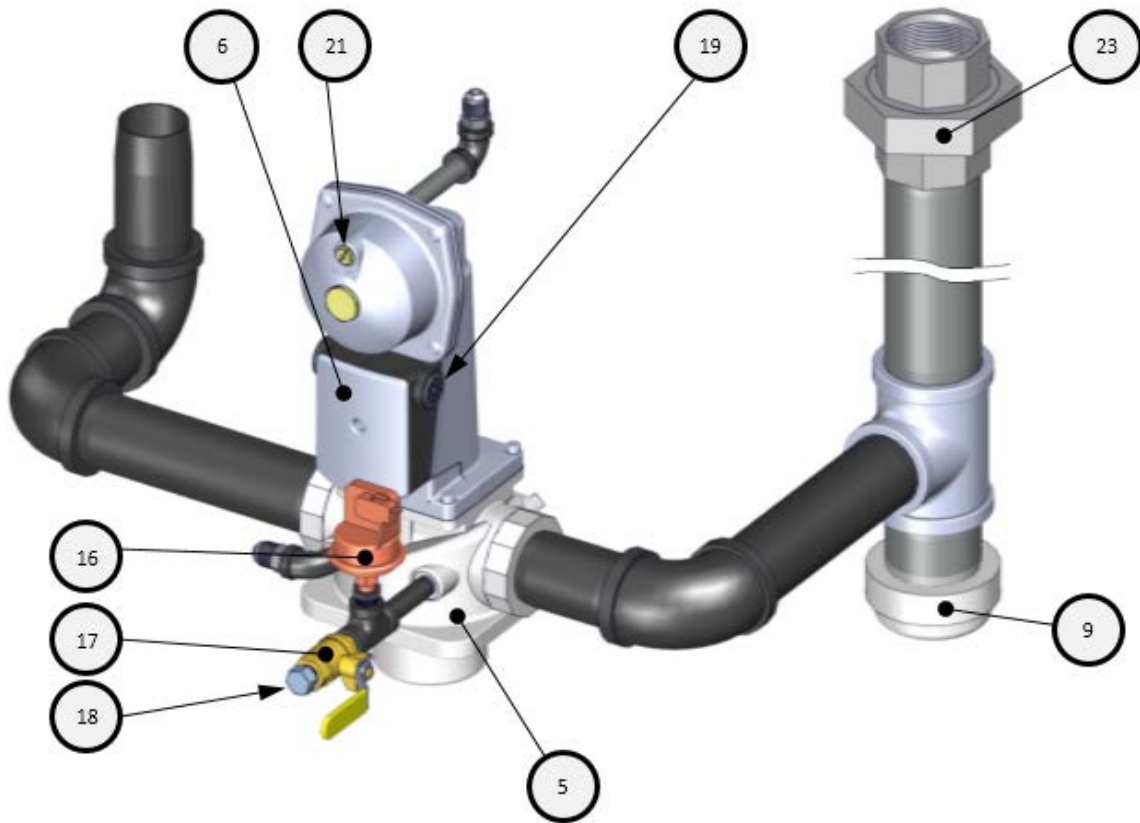
Item	Qty	Part #	Description	Item	Qty	Part #	Description
1	1	123542	FLANGE 2" 125# 2" NPT	24	2	9-22	PIPE PLUG: 1/4" NPT: STEEL
7	1	92006-7	VALVE: BALL BRASS 1-1/2" NPT	25	2	12951-2	BUSHING: CONTROL BOX
9	1	124150	VALVE: SSOV 1-1/2" NPT	27	1	99015	DAMPING ORIFICE: SSOV
10	1	69005	ACTUATOR: SSOV W/ REGULATOR	29	1	93310	1-1/2" 150# BLACK IRON UNION
14	1	93382	2" NPT CAP	30	2	99017	SNUBBER: PRESSURE: 1/4"
17	1	97087-12	TUBING: FLEXIBLE GAS 12"	32	1	61002-15	HIGH GAS PRESSURE SWITCH 7.0" W.C.
22	1	61002-21	LOW GAS PRESSURE SWITCH 7.5" W.C.	33	1	9-294	UNION: 2" NPT 300#
23	3	92077	1/4" NPT MXF BRASS BALL VALVE	34	1	61002-22	HIGH PRESSURE SWITCH 3.0



AERCO International, Inc. Blauvelt, NY 10913	<b>Benchmark 2500 DF FM Gas Train –                  Natural Gas</b>	02/19/2016
	<b>22210-1 rev B, component of 22210</b>	Sheet 1 of 2

**Benchmark 2500 Dual Fuel FM Gas Train – Propane – 22210-2 rev B**

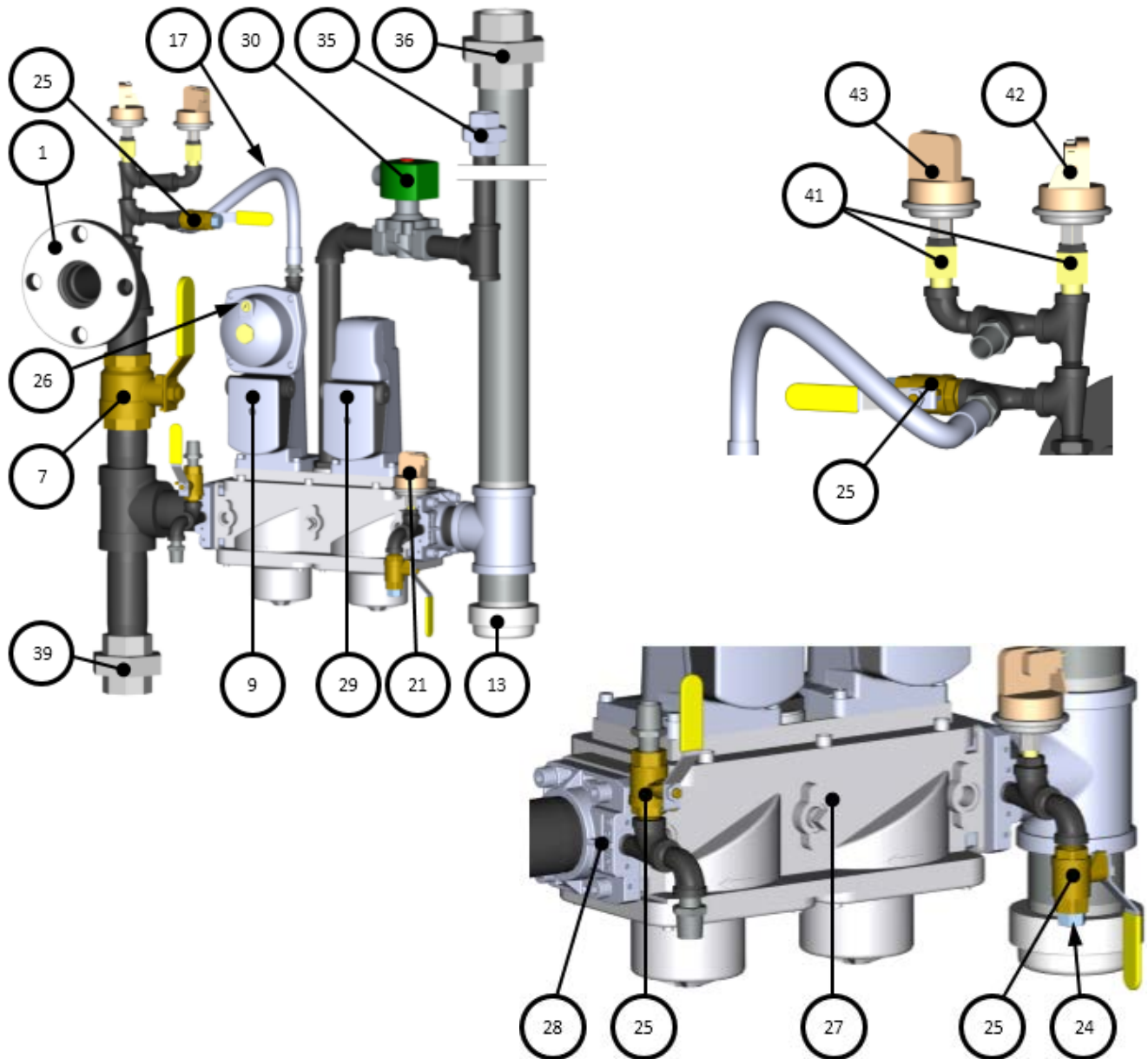
Item	Qty	P/N	Description	Item	Qty	P/N	Description
5	1	124150	VALVE: SSOV 1-1/2" NPT	18	1	9-22	PIPE PLUG: 1/4" NPT: STEEL
6	1	69005	ACTUATOR: SSOV W/ REGULATOR	19	2	12951-2	BUSHING: CONTROL BOX
9	1	93382	2" NPT CAP	21	1	99015	DAMPING ORIFICE: SSOV
16	1	61002-11	LOW GAS PRESSURE SWITCH 3.6" W.C.	23	1	9-294	UNION: 2" NPT 300#
17	1	92077	1/4" NPT MXF BRASS BALL VALVE				



AERCO International, Inc. Blauvelt, NY 10913	<b>Benchmark 2500 DF FM Gas Train – PROPANE</b>	02/19/2016
	<b>22210-2 rev B, component of 22210</b>	Sheet 1 of 1

**Benchmark 2500 DF DBB Gas Train – NATURAL GAS – 22209-1 rev C**

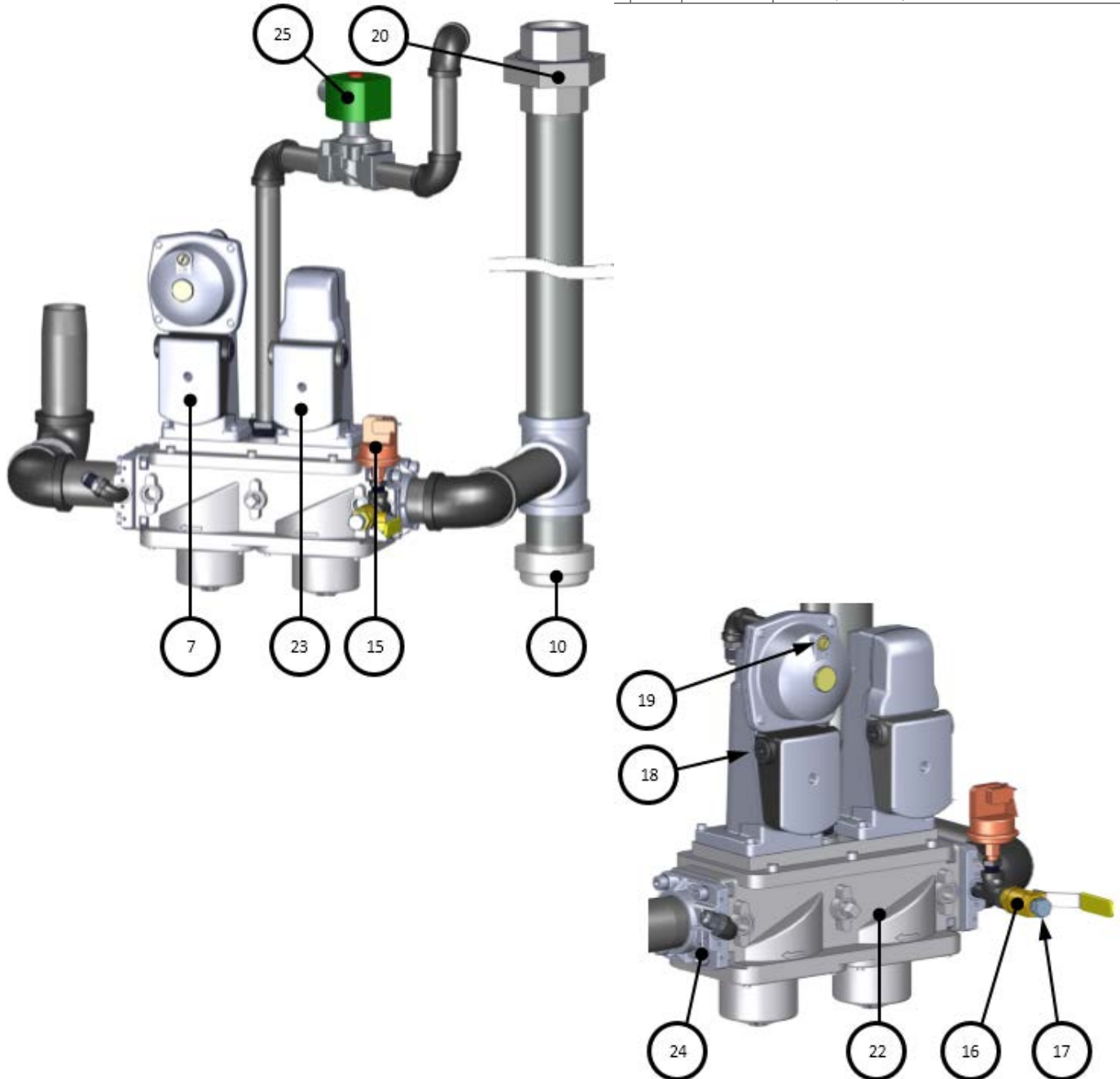
Item	Qty	Part #	Description	Item	Qty	Part #	Description
1	1	123542	FLANGE 2" 125# 2" NPT	28	2	95029	FLANGE: SSOV 1 1/2" NPT
7	1	92006-7	VALVE: BALL BRASS 1-1/2" NPT	29	1	69038	ACTUATOR: SSOV W/O P.O.C. SWITCH
9	1	69005	ACTUATOR: SSOV W/ REGULATOR	30	1	122774	VALVE: VENT 3/4" NPT
13	1	93382	2" NPT CAP	35	1	124094	UNION: 3/4" NPT #150
17	1	97087-12	TUBING, FLEXIBLE GAS 12"	36	1	9-294	UNION: 2" NPT 300#
21	1	61002-21	LOW GAS PRESSURE SWITCH 7.5" W.C.	39	1	93310	1-1/2" 150# BLACK IRON UNION
24	2	9-22	PIPE PLUG: 1/4" NPT: STEEL	41	2	99017	SNUBBER: PRESSURE: 1/4"
25	3	92077	1/4" NPT MXF BRASS BALL VALVE	42	1	61002-15	HIGH GAS PRESSURE SWITCH 7.0" W.C.
26	1	99015	DAMPING ORIFICE: SSOV	43	1	61002-22	SWITCH, HIGH 3.0
27	1	124137	VALVE: SSOV: DOUBLE BODY: 1-1/2" NPT				



AERCO International, Inc. Blauvelt, NY 10913	<b>Benchmark 2500DF DBB Gas Train –                  NATURAL GAS</b>	02/19/2016
	<b>22209-1 rev C, component of 22209</b>	Sheet 1 of 1

**Benchmark 2500 DF DBB Gas Train – PROPANE – 22209-2 rev C**

Item	Qty	Part #	Description	Item	Qty	Part #	Description
7	1	69005	ACTUATOR: SSOV W/ REGULATOR	19	1	99015	DAMPING ORIFICE: SSOV
10	1	93382	2" NPT CAP	20	1	9-294	UNION: 2" NPT 300#
15	1	61002-11	LOW GAS PRESSURE SWITCH 3.6" W.C.	22	1	124137	VALVE: SSOV: DOUBLE BODY: 1-1/2" NPT
16	1	92077	1/4" NPT MXF BRASS BALL VALVE	23	1	69038	ACTUATOR: SSOV W/O P.O.C. SWITCH
17	1	9-22	PIPE PLUG: 1/4" NPT: STEEL	24	2	95029	FLANGE: SSOV 1 1/2" NPT
18	4	12951-2	BUSHING, CONTROL BOX	25	1	122774	VALVE, VENT 3/4" NPT

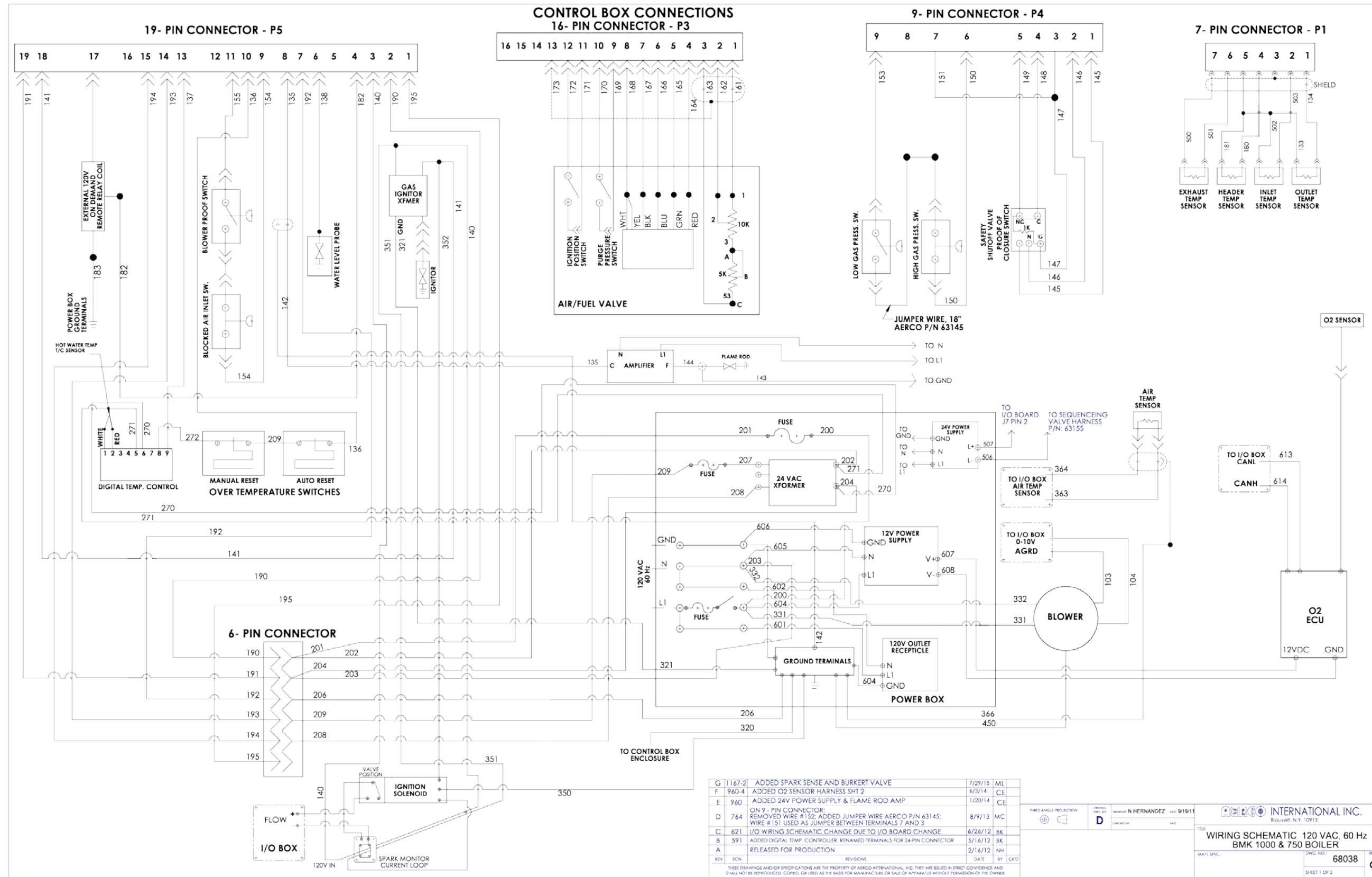


AERCO International, Inc. Blauvelt, NY 10913	<b>Benchmark 2500 DF DBB Gas Train                  PROPANE</b>	03/23/2016
	<b>22209-2 rev C, component of 22209</b>	Sheet 1 of 1

(This page intentionally blank)



# Appendix I: WIRING DIAGRAMS



REV	ECN	DESCRIPTION	DATE	BY	CHKD
G	1167-2	ADDED SPARK SENSE AND BURKERT VALVE	7/29/15	ML	
F	960-4	ADDED O2 SENSOR HARNESS SHT 2	6/3/14	CE	
E	960	ADDED 24V POWER SUPPLY & FLAME ROD AMP	1/20/14	CE	
D	764	ON 9- PIN CONNECTOR: REMOVED WIRE # 152; ADDED JUMPER WIRE AERCO P/N 63145; WIRE # 151 USED AS JUMPER BETWEEN TERMINALS 7 AND 3	8/9/13	MC	
C	621	I/O WIRING SCHEMATIC CHANGE DUE TO I/O BOARD CHANGE	6/26/12	BK	
B	591	ADDED DIGITAL TEMP. CONTROLLER; RENAMED TERMINALS FOR 24-PIN CONNECTOR	5/16/12	BK	
A		RELEASED FOR PRODUCTION	2/16/12	NH	

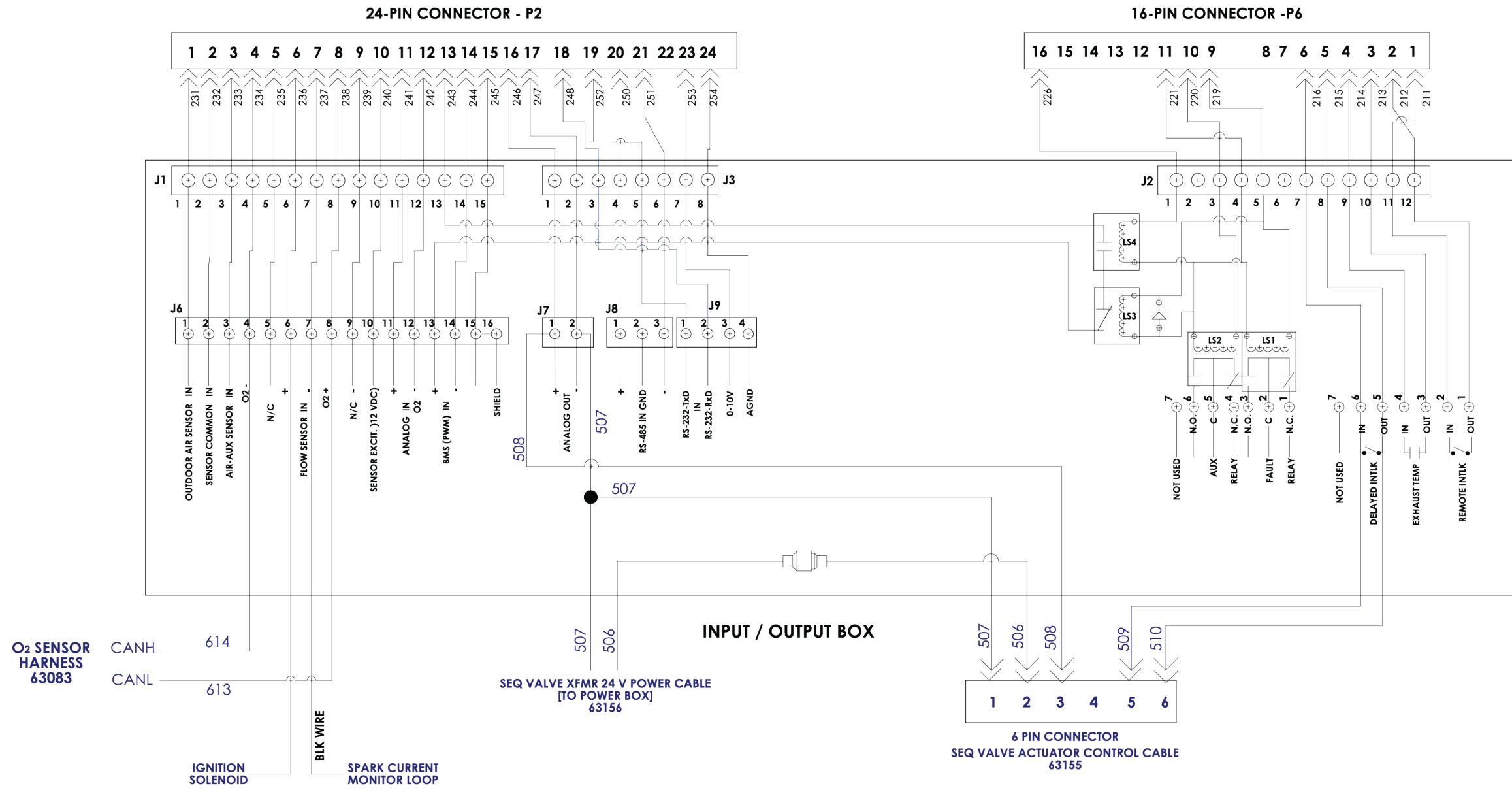
**INTERNATIONAL INC.**  
Blauvelt, N.Y. 10913

**WIRING SCHEMATIC, 120 VAC, 60 Hz  
BMK 1000 & 750 BOILER**

DATE: 05/02/2017  
DRAWN BY: 68038  
REV: G  
SHEET 1 OF 2

Benchmark 750/1000 – Drawing Number: 68038 rev G Sheet 1 of 2

CONTROL BOX CONNECTORS



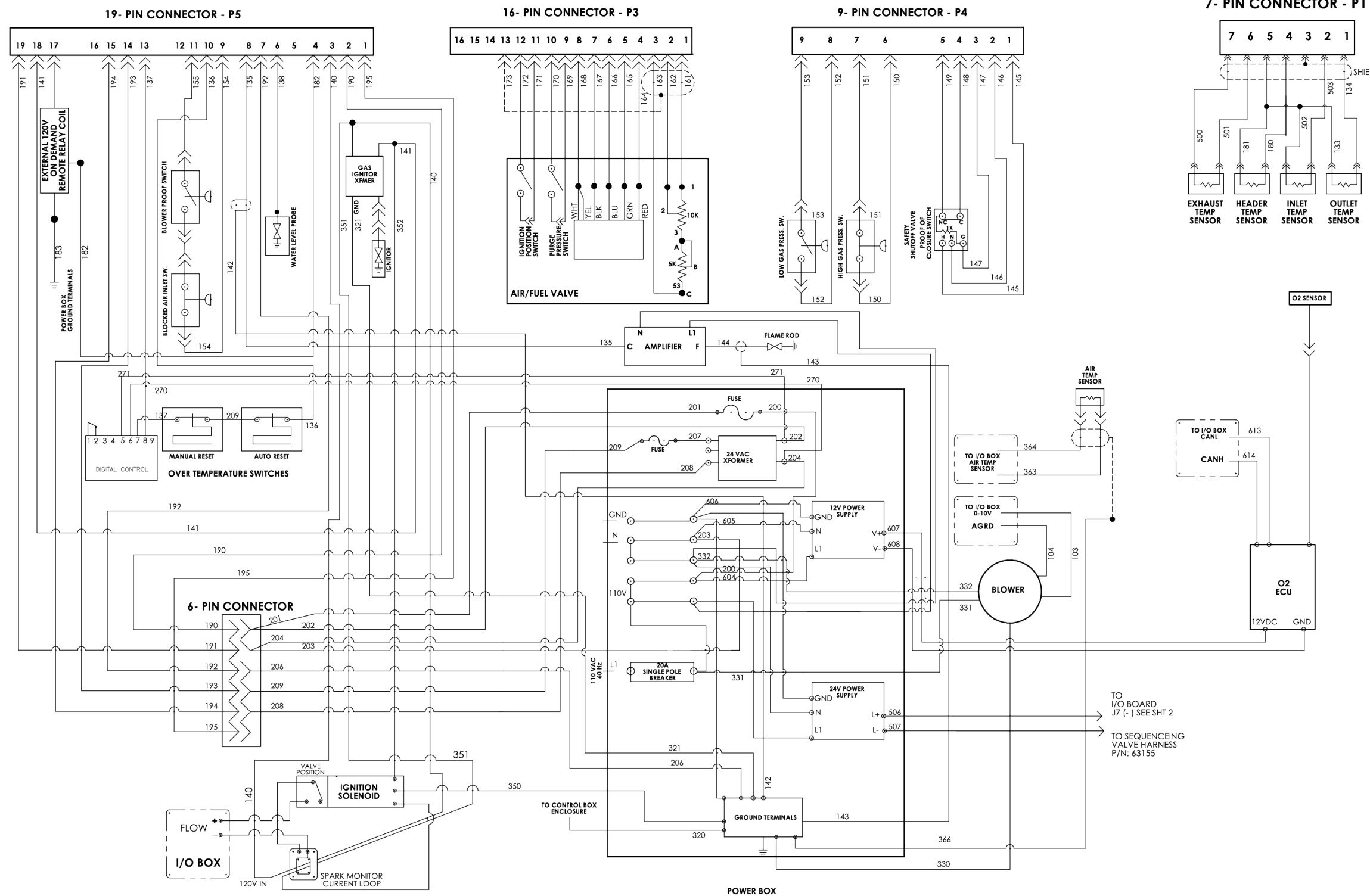
SEE SHEET 1 OF 2

REV	ECN	REVISIONS	DATE	BY	CHK'D

THIRD ANGLE PROJECTION	ORIGINAL DWG. SIZE	DRAWN BY: N.HERNANDEZ	DATE: 9/19/11	INTERNATIONAL INC. Blauvelt, N.Y. 10913
		CHECKED BY:		
TITLE: WIRING SCHEMATIC 120 VAC, 60 Hz BMK 1000 & 750 BOILER				
MATERIAL SPEC.: 68038				REV: G
SHEET 2 OF 2				

Benchmark 750/1000 – Drawing Number: 68038 rev G Sheet 2 of 2

CONTROL BOX CONNECTIONS



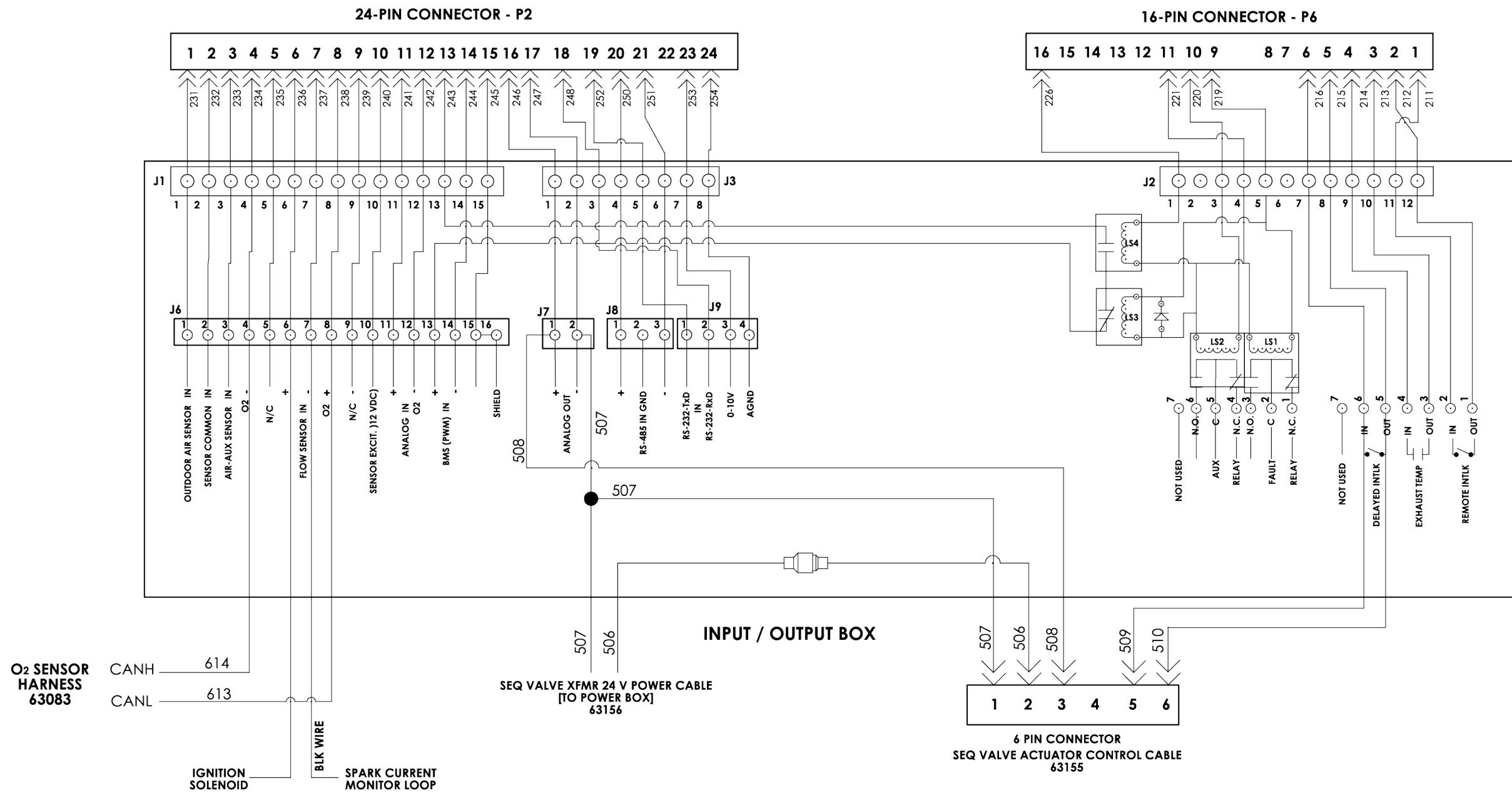
C	1167-2	ADDED SPARK SENSE AND BURKERT VALVE	7/29/15	ML
B	960	ADDED 24V POWER SUPPLY	1/17/14	CE
A	901-5	RELEASED FOR PRODUCTION	12/3/13	CE
REV	ECD	REVISIONS	DATE	BY (CKD)

THIRD ANGLE PROJECTION	ORIGINAL (DWG SIZE) D	DRAWN BY: C. EVANS	DATE: 5/26/13
AERCO INTERNATIONAL INC. 100 ORITANI DR., BLAUVELT, N.Y.			
TITLE: WIRING SCHEMATIC			
BMK 1500/2000 FM			
MATL. SPEC.:	DWG. NO.: 68050	REV:	C
SHEET 1 OF 2			

Benchmark 1500/2000 – Drawing Number 68050 rev C page 1 of 2

CONTROL BOX CONNECTORS

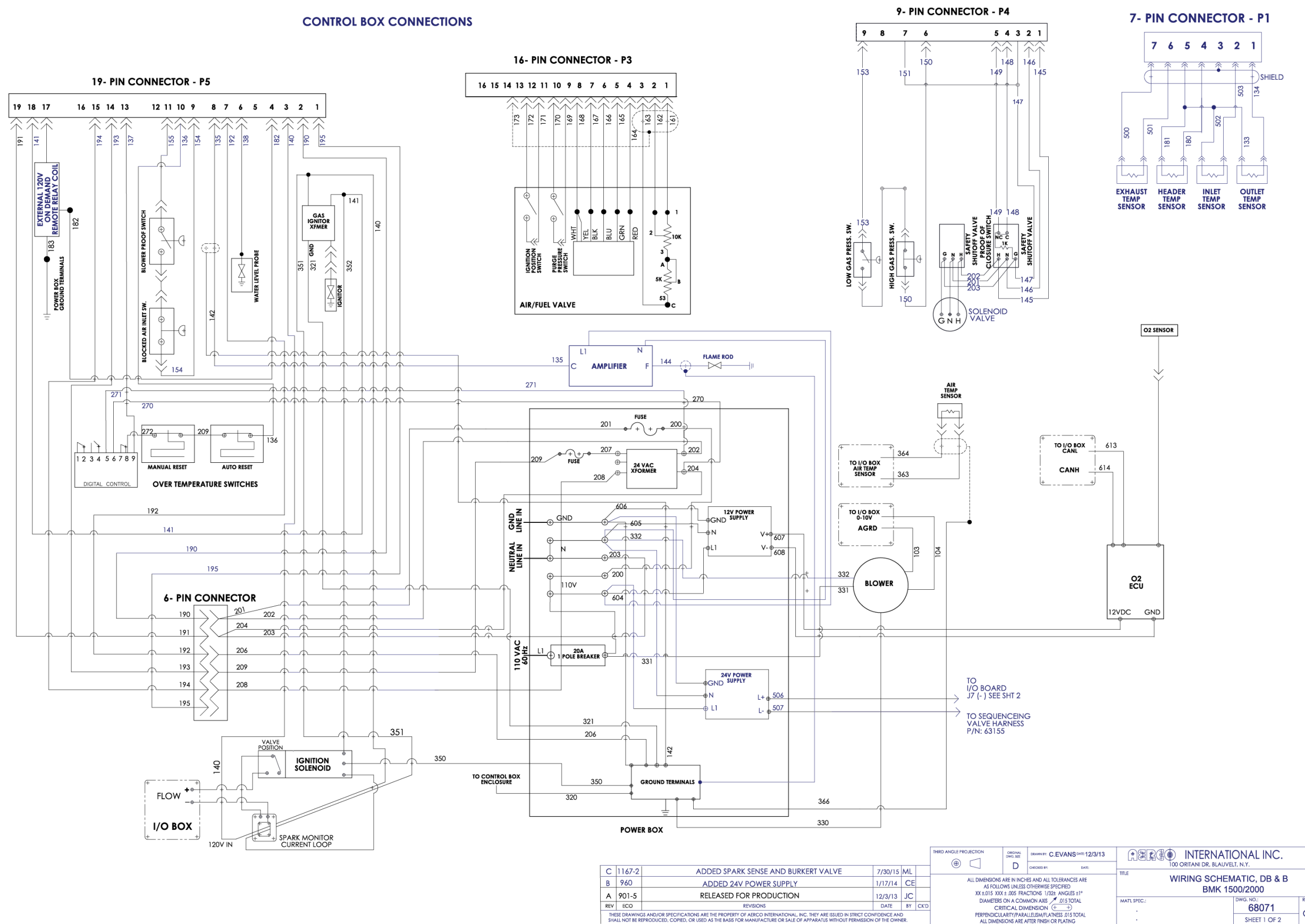


REV	ECO	REVISIONS	DATE	BY	CKD
-	-	SEE SHT 1 FOR REVISIONS	-	-	-

THIRD ANGLE PROJECTION	ORIGINAL DWG. SET	DESIGNED BY: C. EVANS	DATE: 5/26/13	<p>AERCO INTERNATIONAL INC. 100 ORITANI DR. BLAUVELT, N.Y.</p>
	D	CHECKED BY:	DATE:	
ALL DIMENSIONS ARE IN INCHES AND ALL TOLERANCES ARE AS FOLLOWS UNLESS OTHERWISE SPECIFIED: XX ± 0.15 XXX ± 0.05 FRACTIONS 1/32± ANGLES ± 1° DIAMETERS ON A COMMON AXIS 0.015 TOTAL CRITICAL DIMENSION  PERPENDICULARITY PARALLELISM/FITNESS 0.15 TOTAL ALL DIMENSIONS ARE AFTER FINISH OR PLATING				TITLE <b>WIRING SCHEMATIC</b> <b>BMK 1500/2000 FM</b>
MATERIAL SPEC:			DWG. NO.: <b>68050</b>	REV: <b>C</b>
			SHEET 1 OF 1	

Benchmark 1500/2000 – Drawing Number 68050 rev C page 2 of 2

CONTROL BOX CONNECTIONS



C	1167-2	ADDED SPARK SENSE AND BURKERT VALVE	7/30/15	JML
B	960	ADDED 24V POWER SUPPLY	1/17/14	CE
A	901-5	RELEASED FOR PRODUCTION	12/3/13	JC
REV	ECO	REVISIONS	DATE	BY CKD

THIRD ANGLE PROJECTION

ORIGINAL (DWG NO.) D

DRAWN BY: C.EVANS DATE: 12/3/13

CHECKED BY: DATE:

ALL DIMENSIONS ARE IN INCHES AND ALL TOLERANCES ARE AS FOLLOWS UNLESS OTHERWISE SPECIFIED  
 XX ± 0.015 XXX ± 0.005 FRACTIONS 1/32" ANGLES 31°  
 DIAMETERS ON A COMMON AXIS 0.015 TOTAL  
 CRITICAL DIMENSION (C)  
 PERPENDICULARITY/PARALLELISM/FLATNESS 0.015 TOTAL  
 ALL DIMENSIONS ARE AFTER FINISH OR PLATING

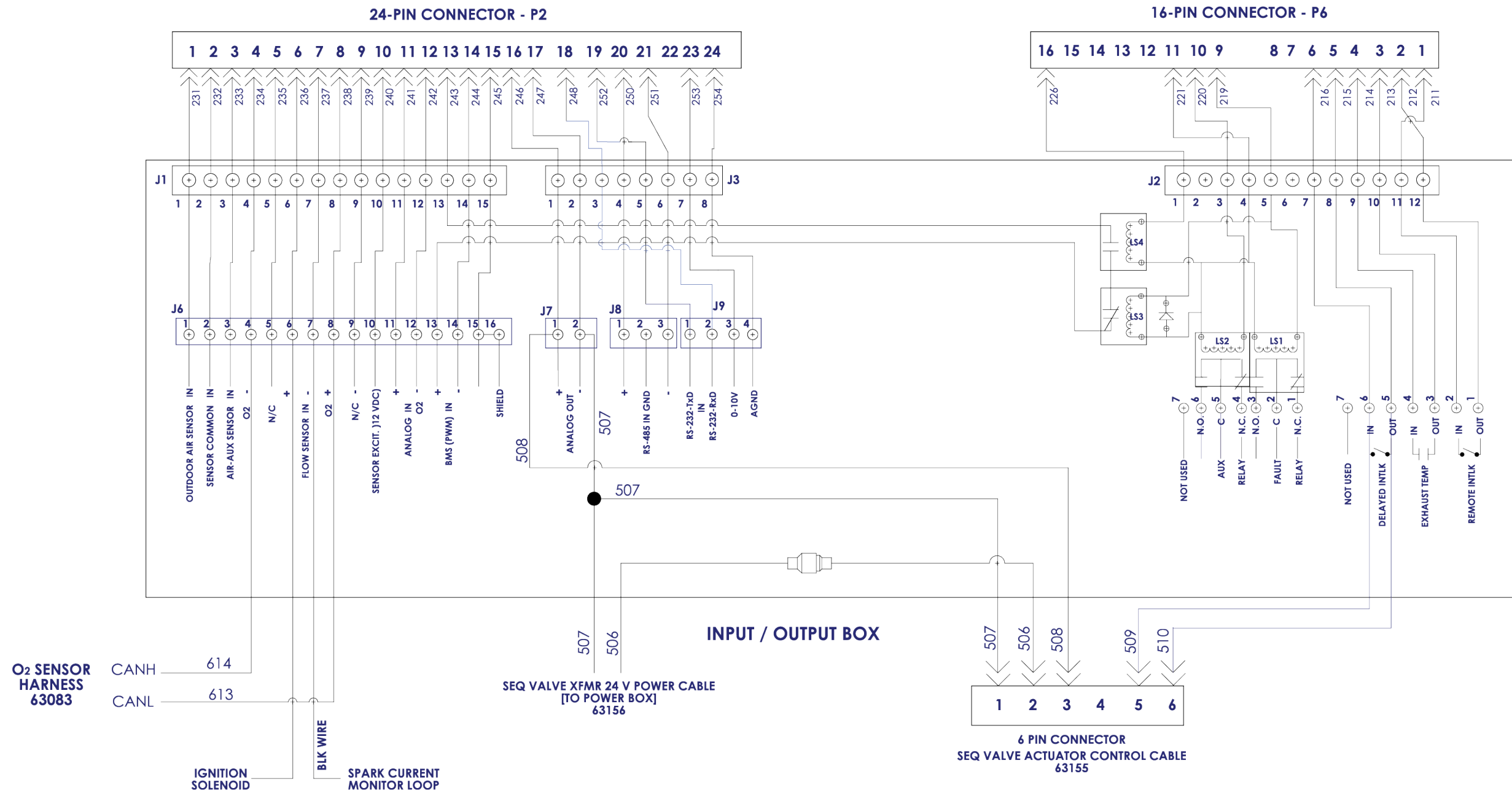
INTERNATIONAL INC.  
 100 ORITANI DR. BLAUVELT, N.Y.

TITLE: WIRING SCHEMATIC, DB & B  
 BMK 1500/2000

MATL. SPEC.: 68071  
 SHEET 1 OF 2

Benchmark 1500/2000 DBB – Drawing Number 68071 rev C page 1 of 2

CONTROL BOX CONNECTORS



O<sub>2</sub> SENSOR HARNESS 63083

CANH 614  
CANL 613

IGNITION SOLENOID  
SPARK CURRENT MONITOR LOOP

SEQ VALVE XFMR 24 V POWER CABLE [TO POWER BOX] 63156

6 PIN CONNECTOR  
SEQ VALVE ACTUATOR CONTROL CABLE 63155

REV	ECO	REVISIONS	DATE	BY	CK'D

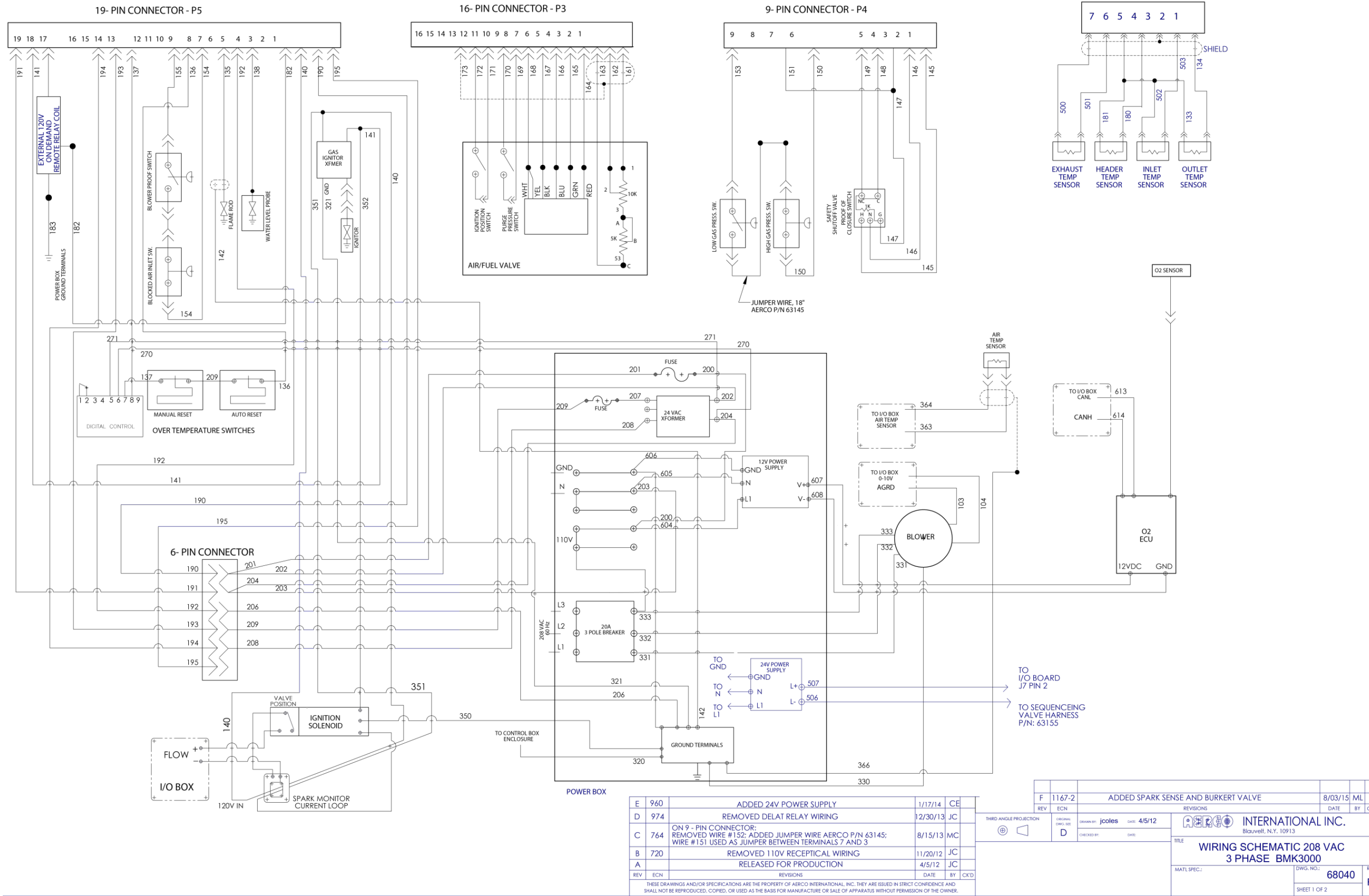
SEE SHT 1 FOR REVISIONS

THESE DRAWINGS AND/OR SPECIFICATIONS ARE THE PROPERTY OF AERCO INTERNATIONAL, INC. THEY ARE ISSUED IN STRICT CONFIDENCE AND SHALL NOT BE REPRODUCED, COPIED, OR USED AS THE BASIS FOR MANUFACTURE OR SALE OF APPARATUS WITHOUT PERMISSION OF THE OWNER.

THIRD ANGLE PROJECTION	D	DRAWN BY: C. EVANS DATE: 12/3/13	INTERNATIONAL INC. 100 ORITANI DR. BLAUVELT, N.Y.
ALL DIMENSIONS ARE IN INCHES AND ALL TOLERANCES ARE AS FOLLOWS UNLESS OTHERWISE SPECIFIED XX ± 0.15 XXX ± .005 FRACTIONS 1/32" ANGLES ± 1° DIAMETERS ON A COMMON AXIS .015 TOTAL CRITICAL DIMENSION ( ) PERPENDICULARITY/PARALLELISM/FLATNESS .015 TOTAL ALL DIMENSIONS ARE AFTER FINISH OR PLATING	TITLE <b>WIRING SCHEMATIC BMK 1500/2000 DB &amp; B</b>		REV C
MATERIAL SPECIFICATION		DWG. NO.: 68071	SHEET 1 OF 1

Benchmark 1500/2000 DBB – Drawing Number 68071 rev C page 2 of 2

CONTROL BOX CONNECTIONS



REV	ECN	REVISIONS	DATE	BY	CHKD
E	960	ADDED 24V POWER SUPPLY	1/17/14	CE	
D	974	REMOVED DELAT RELAY WIRING	12/30/13	JC	
C	764	ON 9 - PIN CONNECTOR: REMOVED WIRE #152; ADDED JUMPER WIRE AERCO P/N 63145; WIRE #151 USED AS JUMPER BETWEEN TERMINALS 7 AND 3	8/15/13	MC	
B	720	REMOVED 110V RECEPTICAL WIRING	11/20/12	JC	
A		RELEASED FOR PRODUCTION	4/5/12	JC	

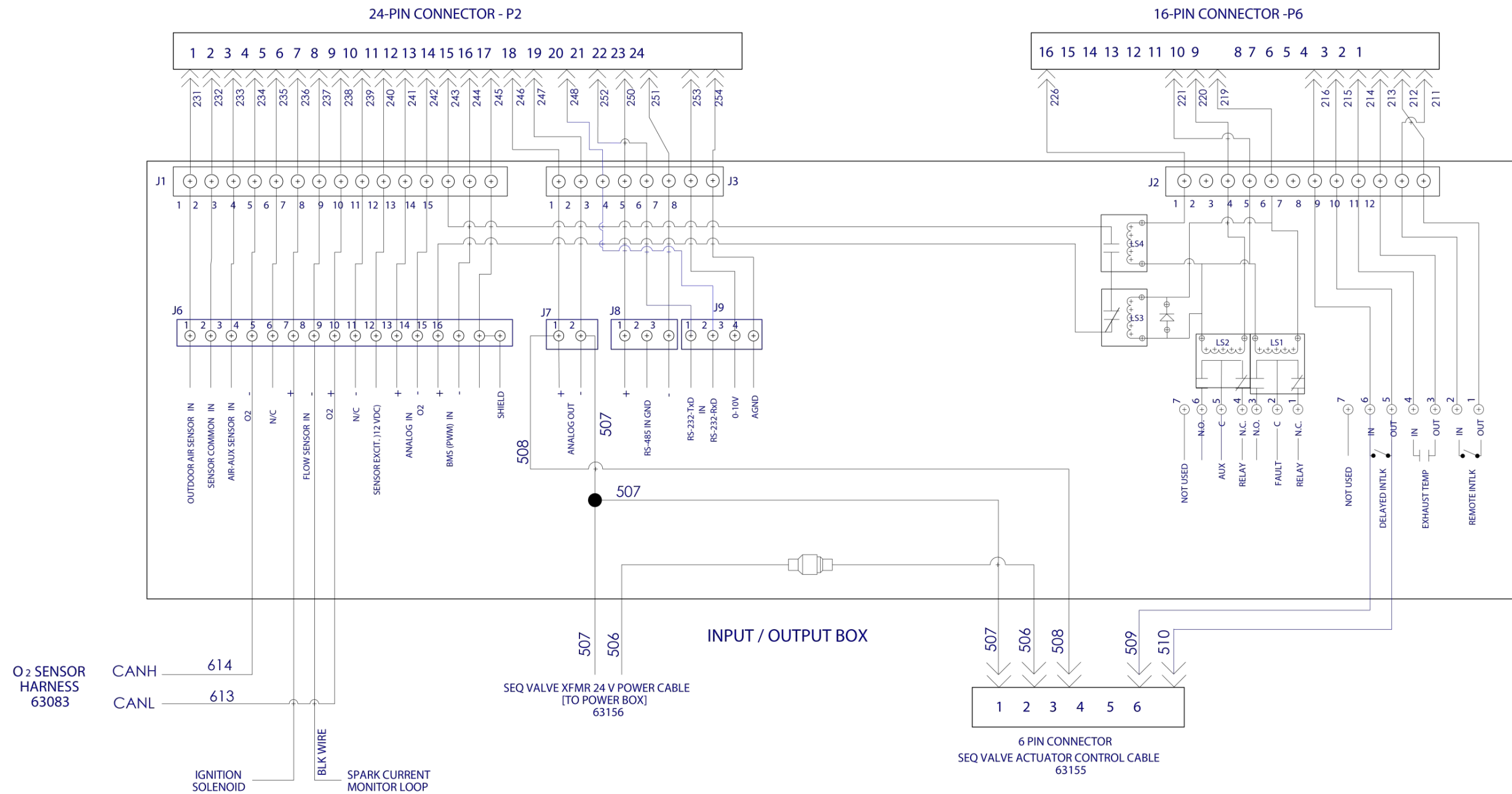
REV	ECN	REVISIONS	DATE	BY	CHKD
F	1167-2	ADDED SPARK SENSE AND BURKERT VALVE	8/03/15	ML	

THIRD ANGLE PROJECTION  
 ORIGINAL DWG. SET  
 DRAWN BY: jcoles DATE: 4/5/12  
 CHECKED BY: DATE:

INTERNATIONAL INC.  
 Blauvelt, N.Y. 10913  
 TITLE: WIRING SCHEMATIC 208 VAC 3 PHASE BMK3000  
 DWG. NO.: 68040 REV: F  
 SHEET 1 OF 2

Benchmark 3000 208 VAC – Diagram 68040 rev F, Sheet 1 of 2

CONTROL BOX CONNECTORS



O<sub>2</sub> SENSOR HARNESS 63083  
 CANH 614  
 CANL 613  
 IGNITION SOLENOID  
 BLK WIRE  
 SPARK CURRENT MONITOR LOOP

SEQ VALVE XFMR 24 V POWER CABLE (TO POWER BOX) 63156

6 PIN CONNECTOR  
 SEQ VALVE ACTUATOR CONTROL CABLE 63155

SEE SHEET 1 OF 2

REV	ECN	REVISIONS	DATE	BY	CKD

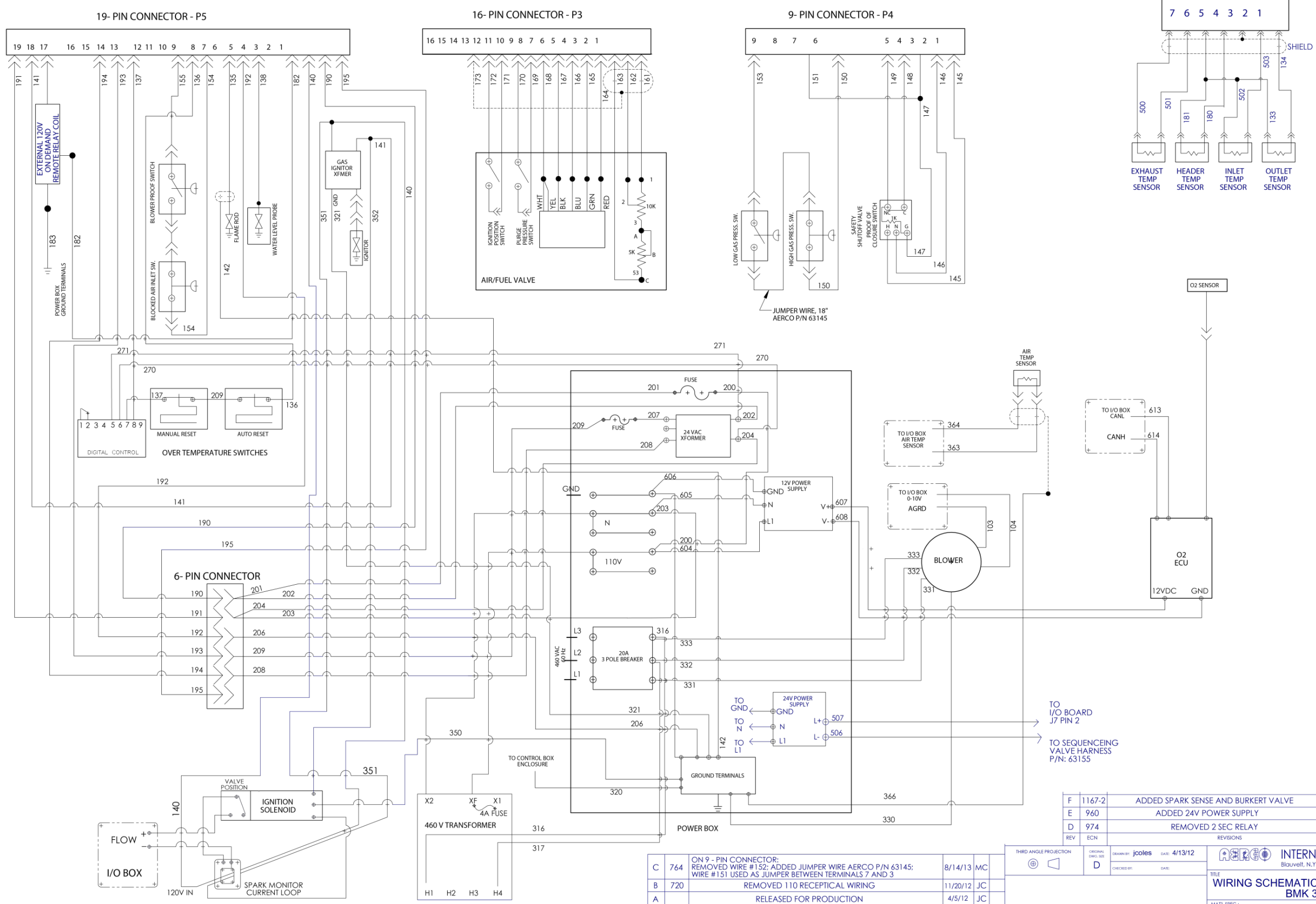
THESE DRAWINGS AND/OR SPECIFICATIONS ARE THE PROPERTY OF AERCO INTERNATIONAL, INC. THEY ARE ISSUED IN STRICT CONFIDENCE AND SHALL NOT BE REPRODUCED, COPIED, OR USED AS THE BASIS FOR MANUFACTURE OR SALE OF APPARATUS WITHOUT PERMISSION OF THE OWNER.

THIRD ANGLE PROJECTION	ORIGINAL DWG. NO. D	DRAWN BY: jcoles	DATE: 4/5/12	AERCO INTERNATIONAL INC. BLAUVELT, N.Y. 10913
TITLE: WIRING SCHEMATIC, 208 VAC 3 PHASE BMK 3000				REV: F
MATERIAL SPEC.: 68040				SHEET 2 OF 2

Benchmark 3000 208 VAC – Drawing Number: 68040 rev F, Sheet 2 of 2



CONTROL BOX CONNECTIONS



REV	ECN	REVISIONS	DATE	BY	CHKD
F	1167-2	ADDED SPARK SENSE AND BURKERT VALVE	8/03/15	ML	
E	960	ADDED 24V POWER SUPPLY	1/17/14	CE	
D	974	REMOVED 2 SEC RELAY	12/18/13	JC	

REV	ECN	REVISIONS	DATE	BY	CHKD
C	764	ON 9 - PIN CONNECTOR: REMOVED WIRE #152; ADDED JUMPER WIRE AERCO P/N 63145; WIRE #151 USED AS JUMPER BETWEEN TERMINALS 7 AND 3	8/14/13	MC	
B	720	REMOVED 110 RECEPTICAL WIRING	11/20/12	JC	
A		RELEASED FOR PRODUCTION	4/5/12	JC	

THIRD ANGLE PROJECTION

ORIGINAL DWG. SIZE: D

DRAWN BY: jcoles DATE: 4/13/12

INTERNATIONAL INC. Blauvelt, N.Y. 10913

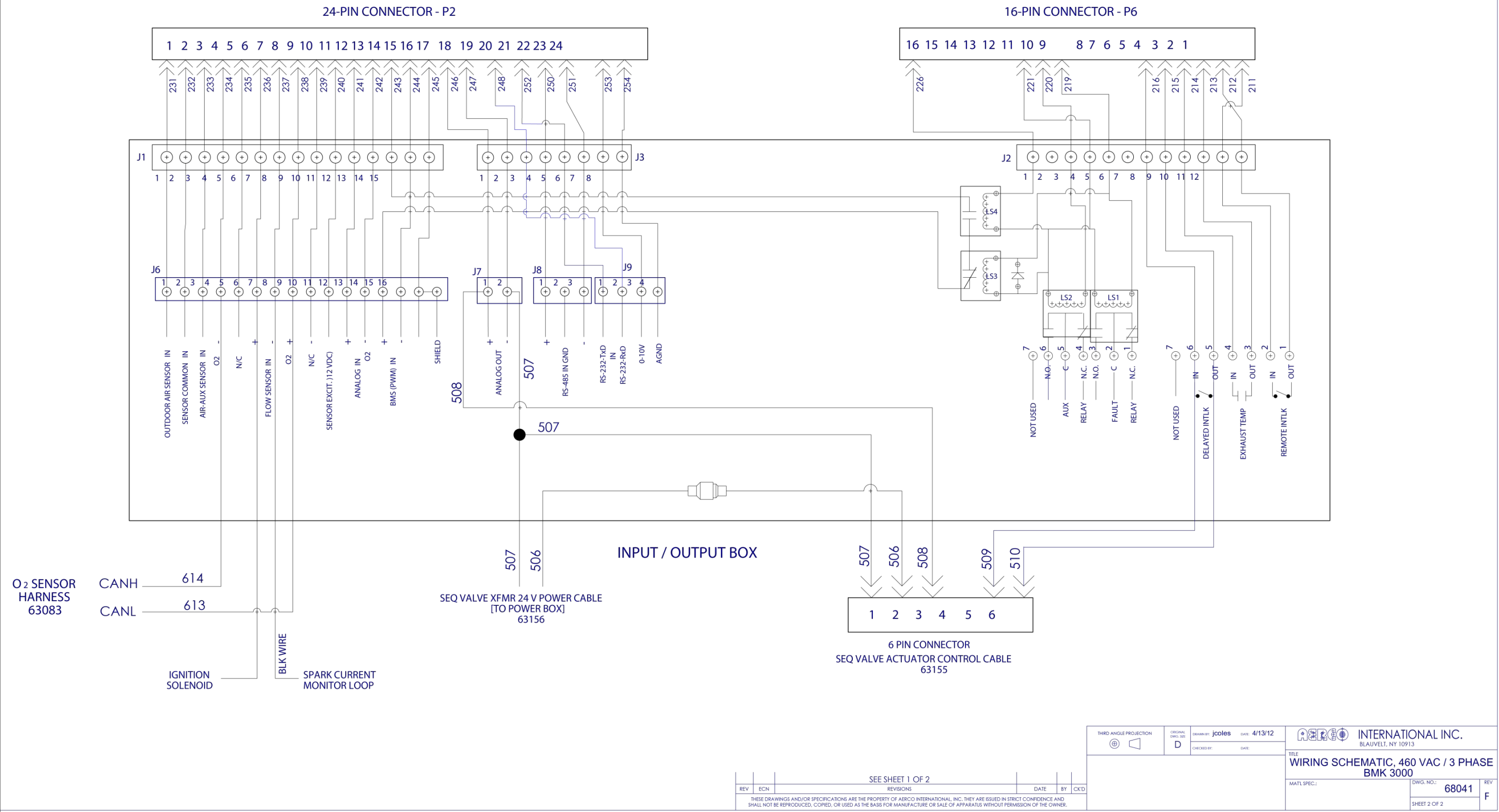
TITLE: WIRING SCHEMATIC 460 VAC/ 3 PHASE BMK 3000

MATL. SPEC.: DWG. NO.: 68041 REV: F

SHEET 1 OF 2

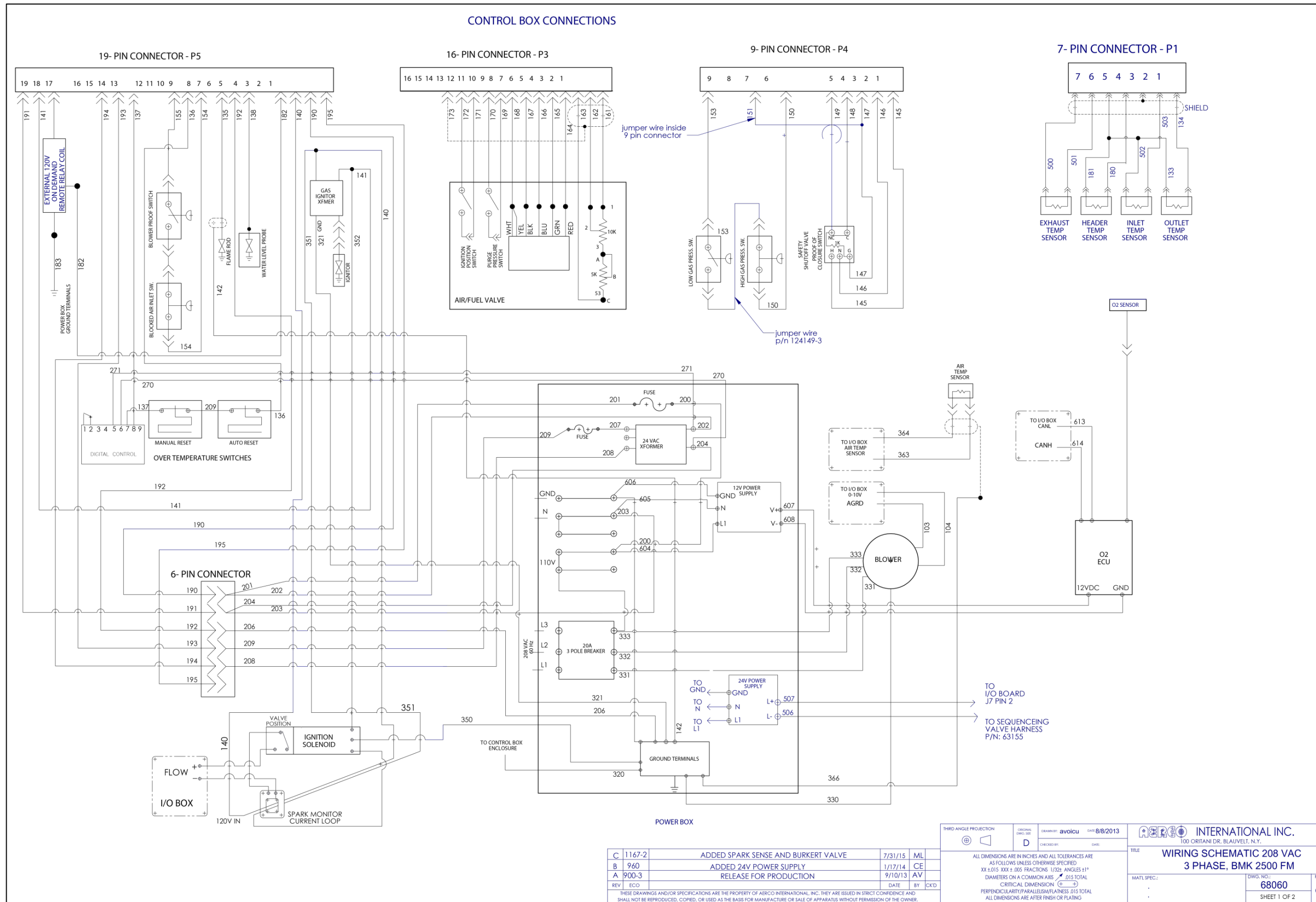
Benchmark 3000 460 VAC – Drawing Number: 68041 rev F Sheet 1 of 2

CONTROL BOX CONNECTORS



Benchmark 3000 460 VAC – Drawing Number: 68041 rev E Sheet 2 of 2

THIRD ANGLE PROJECTION		ORIGINAL DWG. NO. D	DRAWN BY: jcoles	DATE: 4/13/12	AERCO INTERNATIONAL INC. BLAUVELT, NY 10913	
SEE SHEET 1 OF 2					TITLE: WIRING SCHEMATIC, 460 VAC / 3 PHASE BMK 3000	
REV	ECN	REVISIONS	DATE	BY	CHKD	MATL SPEC:
THESE DRAWINGS AND/OR SPECIFICATIONS ARE THE PROPERTY OF AERCO INTERNATIONAL, INC. THEY ARE ISSUED IN STRICT CONFIDENCE AND SHALL NOT BE REPRODUCED, COPIED, OR USED AS THE BASIS FOR MANUFACTURE OR SALE OF APPARATUS WITHOUT PERMISSION OF THE OWNER.						DWG. NO.: 68041
						REV: F
						SHEET 2 OF 2



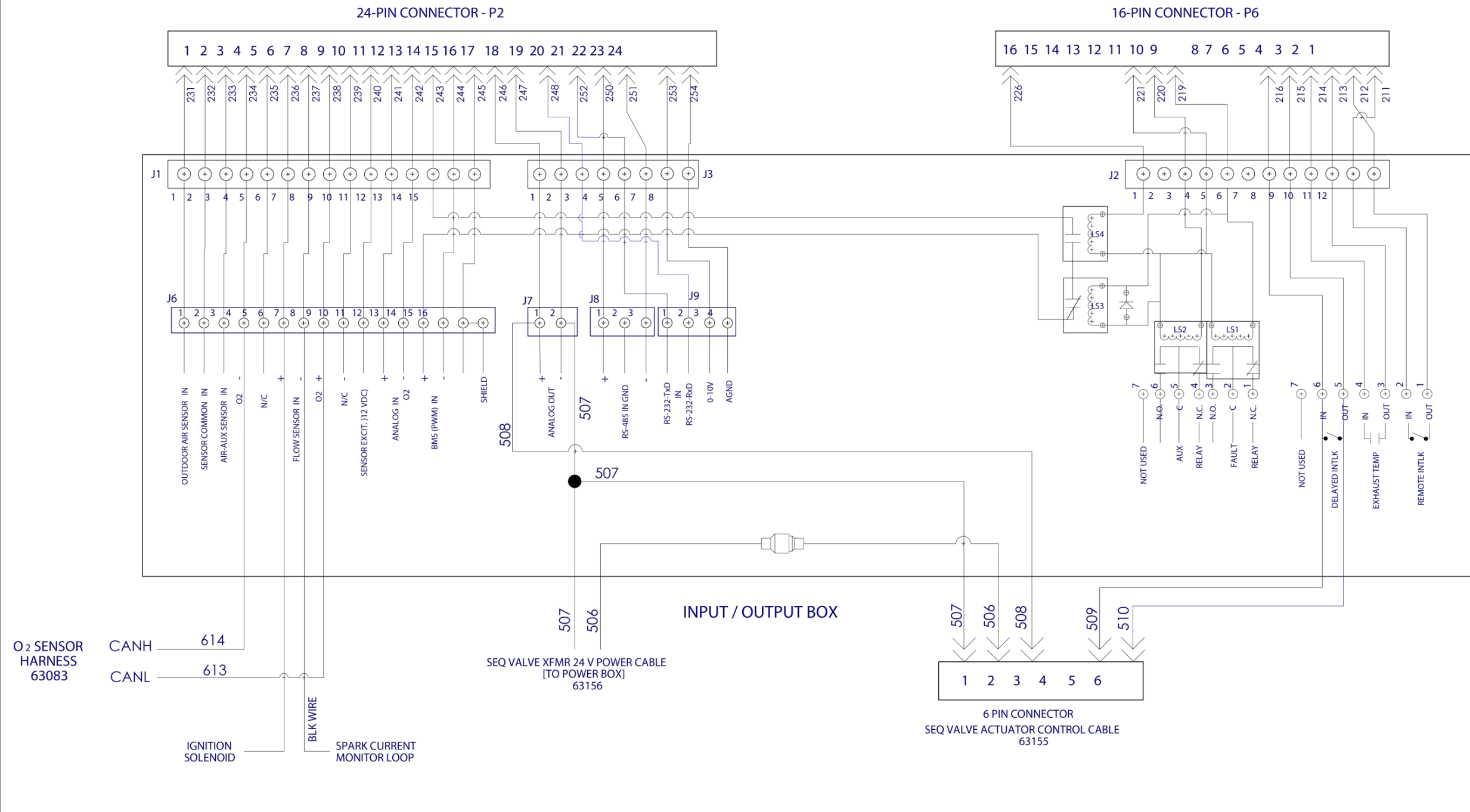
C	1167-2	ADDED SPARK SENSE AND BURKERT VALVE	7/31/15	ML
B	960	ADDED 24V POWER SUPPLY	1/17/14	CE
A	900-3	RELEASE FOR PRODUCTION	9/10/13	AV
REV	ECC		DATE	BY CKD

THESE DRAWINGS AND/OR SPECIFICATIONS ARE THE PROPERTY OF AERCO INTERNATIONAL, INC. THEY ARE ISSUED IN STRICT CONFIDENCE AND SHALL NOT BE REPRODUCED, COPIED, OR USED AS THE BASIS FOR MANUFACTURE OR SALE OF APPARATUS WITHOUT PERMISSION OF THE OWNER.

THIRD ANGLE PROJECTION	ORIGINAL SPEC. NO. D	DRAWN BY: avoicu	DATE: 8/8/2013
ALL DIMENSIONS ARE IN INCHES AND ALL TOLERANCES ARE AS FOLLOWS UNLESS OTHERWISE SPECIFIED: XX ± 0.15 XXX ± 0.05 FRACTIONS 1/32" ANGLES ± 1° DIAMETERS ON A COMMON AXIS .015 TOTAL CRITICAL DIMENSIONS (C →)		TITLE: WIRING SCHEMATIC 208 VAC 3 PHASE, BMK 2500 FM	
PERPENDICULARITY/PARALLELISM/FLATNESS .015 TOTAL ALL DIMENSIONS ARE AFTER FINISH OR PLATING		MATL. SPEC.: .	DWG. NO.: 68060
		SHEET 1 OF 2	

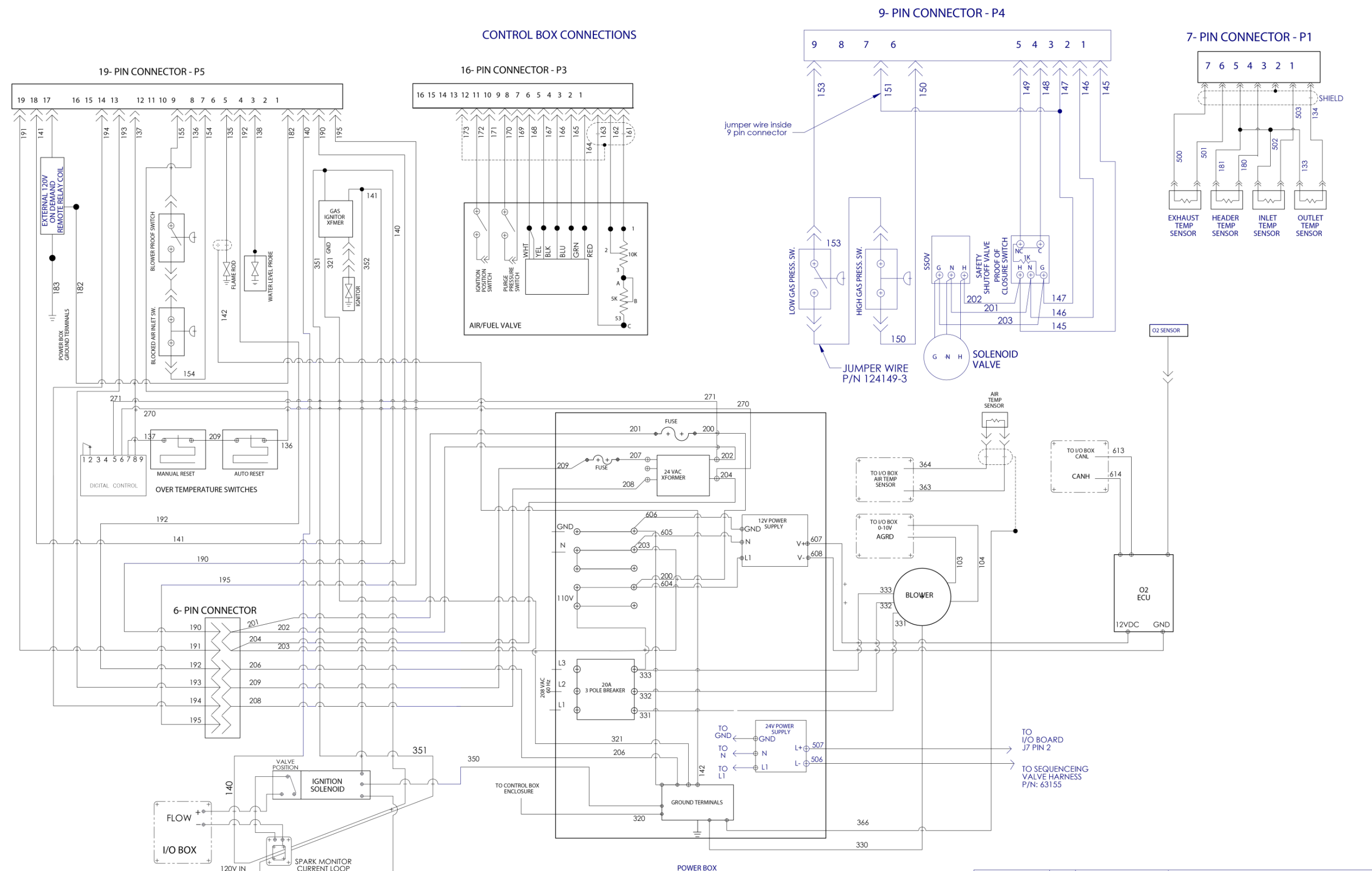
Benchmark 2500 208 VAC – Drawing Number: 68060 rev C Sheet 1 of 2

CONTROL BOX CONNECTORS



THIRD ANGLE PROJECTION	ORIGINATING ENGINEER	DRAWN BY: <b>avoicu</b>	DATE: 8/8/2013	INTERNATIONAL INC. BLAUVELT, NY 10913
	CHECKED BY:			TITLE: <b>WIRING SCHEMATIC 208 VAC 3 PHASE, BMK 2500 FM</b>
ALL DIMENSIONS ARE IN INCHES AND ALL TOLERANCES ARE AS FOLLOWS UNLESS OTHERWISE SPECIFIED XXX.1015 XXX ± .005 FRACTIONS 1/32± ANGLES ±1° DIAMETERS ON A COMMON AXIS .015 TOTAL CRITICAL DIMENSION (E-D) PERPENDICULARITY/PARALLELISM/FITNESS .015 TOTAL ALL DIMENSIONS ARE AFTER FINISH OR PLATING				MATL SPEC.: <b>68060</b>
FOR REVISION SEE FIRST PAGE				REV: <b>C</b> SHEET 2 OF 2

Benchmark 2500 208 VAC – Drawing Number: 68060 rev C Sheet 2 of 2

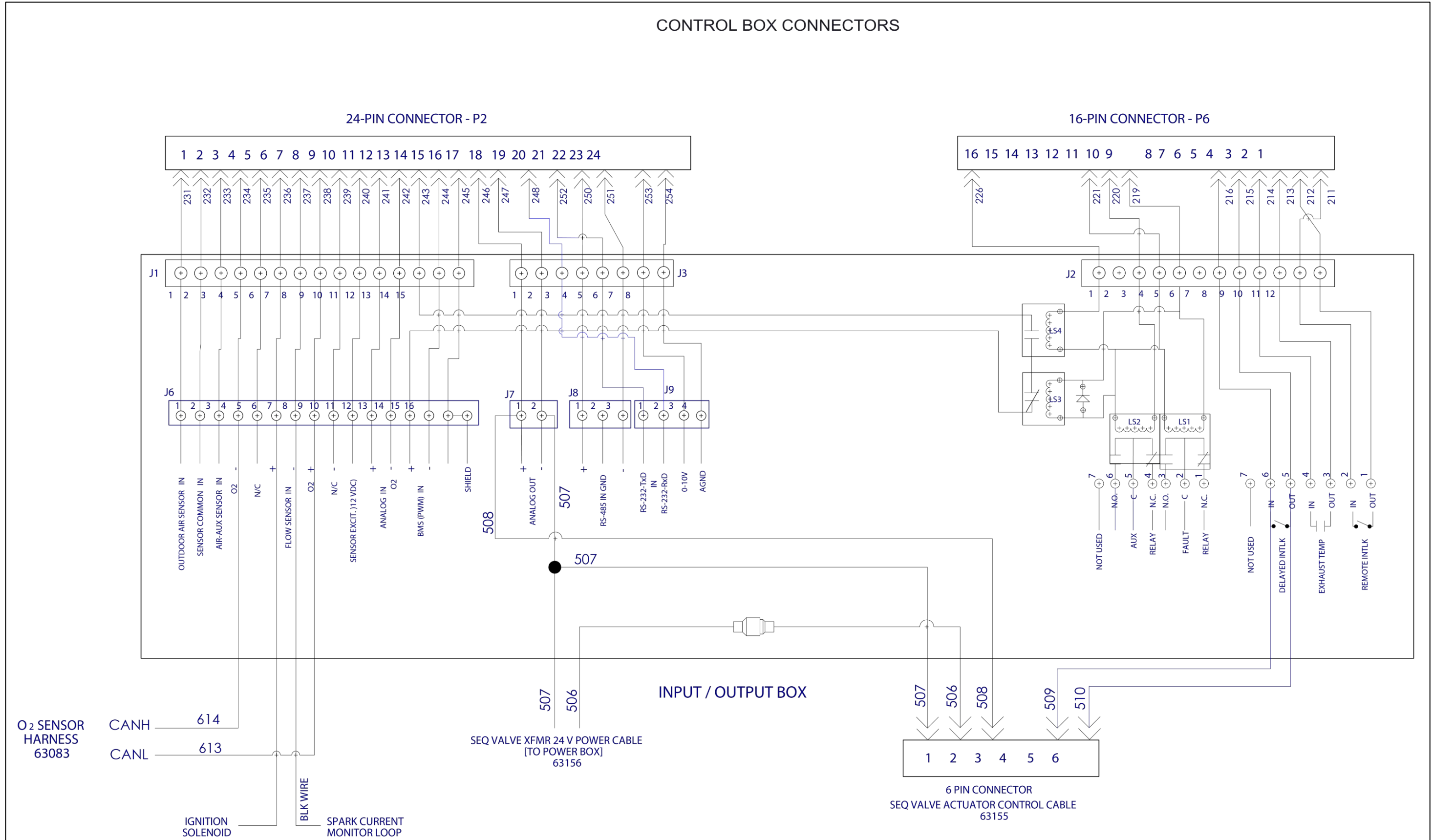


C 1167-2		ADDED SPARK SENSE AND BURKERT VALVE	7/31/15	ML
B 960		ADDED 24V POWER SUPPLY	1/17/14	CE
A 900-3		RELEASE FOR PRODUCTION	9/10/13	AV
REV	ECO		DATE	BY
<small>THESE DRAWINGS AND/OR SPECIFICATIONS ARE THE PROPERTY OF AERCO INTERNATIONAL INC. THEY ARE ISSUED IN STRICT CONFIDENCE AND SHALL NOT BE REPRODUCED, COPIED, OR USED AS THE BASIS FOR MANUFACTURE OR SALE OF APPARATUS WITHOUT PERMISSION OF THE OWNER.</small>				

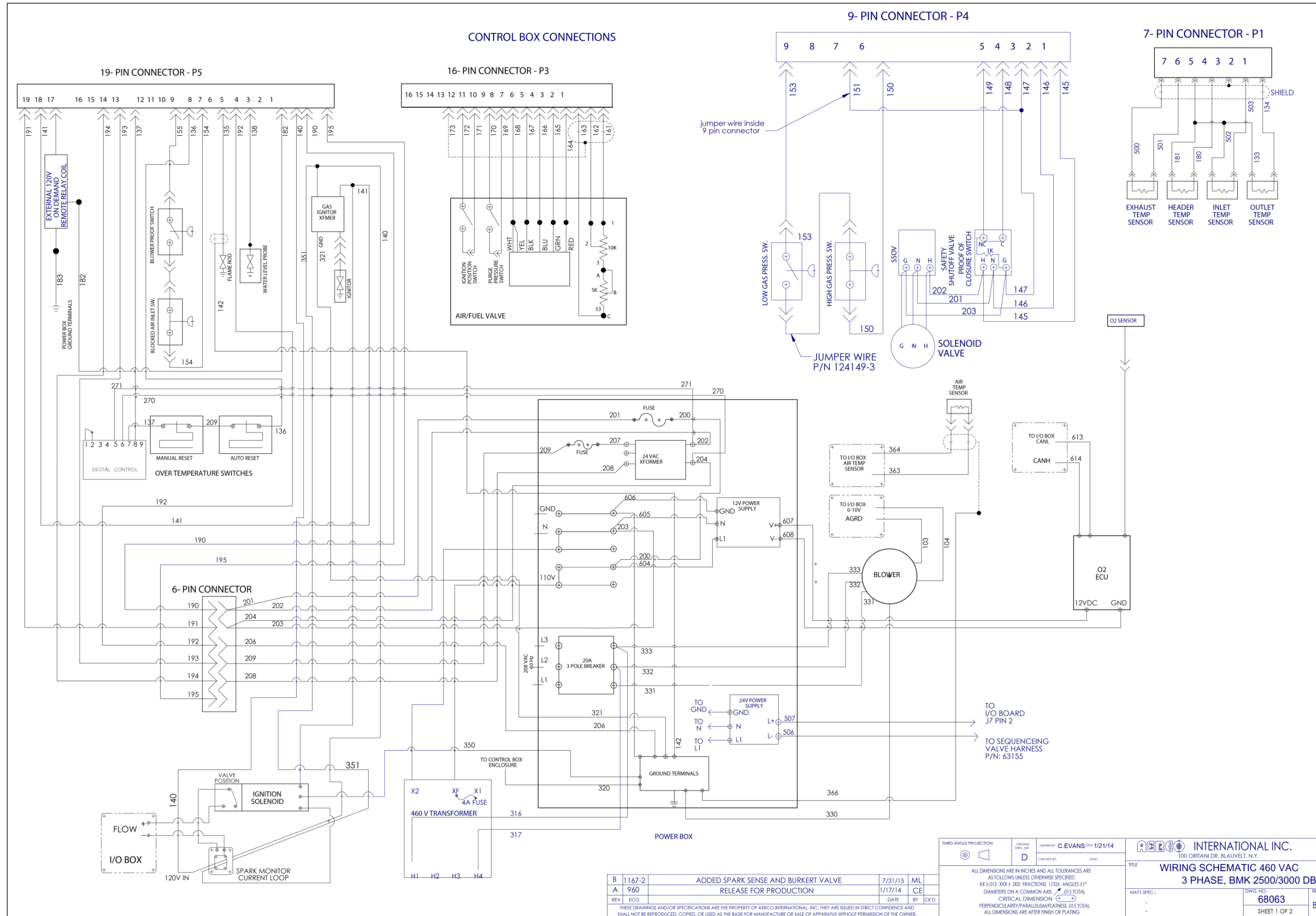
  

THIRD ANGLE PROJECTION	ORIGINAL (DWG. SET)	DESIGNED BY: avoicu	DATE: 8/8/2013	INTERNATIONAL INC. 100 ORITANI DR. BLAUVELT, N.Y.
		CHECKED BY:	DATE:	
ALL DIMENSIONS ARE IN INCHES AND ALL TOLERANCES ARE AS FOLLOWS UNLESS OTHERWISE SPECIFIED: XX ±.015 XXX ±.005 FRACTIONS 1/32" ANGLES #1° DIAMETERS ON A COMMON AXIS .015 TOTAL CRITICAL DIMENSIONS (C) PERPENDICULARITY/PARALLELISM/FINNESS .015 TOTAL ALL DIMENSIONS ARE AFTER FINISH OR PLATING				TITLE: <b>WIRING SCHEMATIC 208 VAC 3 PHASE, BMK 2500/3000 DDB</b> MATL. SPEC.: DWG. NO.: <b>68062</b> SHEET 1 OF 2

Benchmark 2500/3000 208 VAC DDB – Drawing Number: 68062 rev C Sheet 1 of 2



Benchmark 2500/3000 208 VAC DBB – Drawing Number: 68062 rev C Sheet 2 of 2



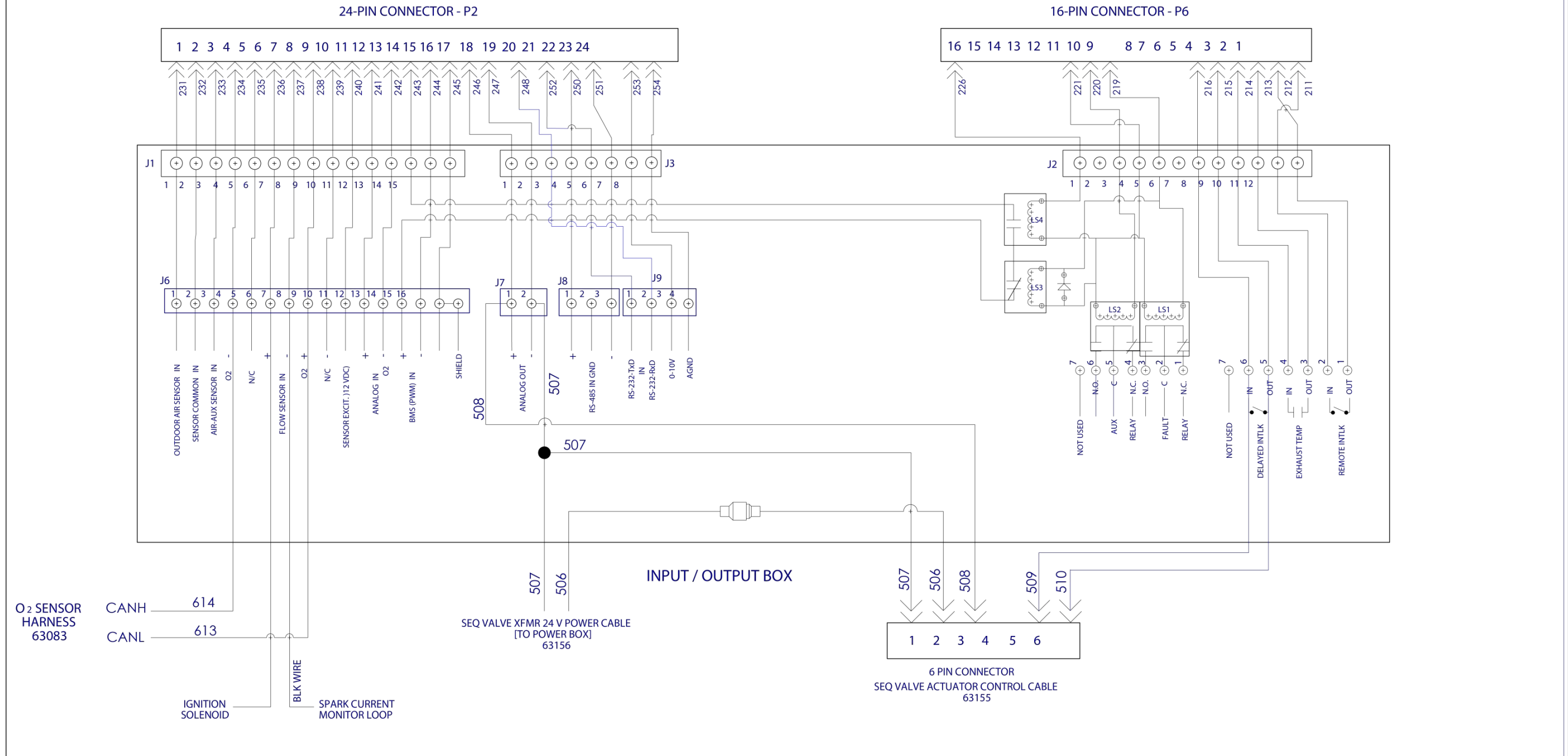
B	1167-2	ADDED SPARK SENSE AND BURKERT VALVE	7/31/15	ML
A	960	RELEASE FOR PRODUCTION	1/17/14	CE
REV	ECO		DATE	BY
				CKD

THESE DRAWINGS AND/OR SPECIFICATIONS ARE THE PROPERTY OF AERCO INTERNATIONAL, INC. THEY ARE ISSUED IN STRICT CONFIDENCE AND SHALL NOT BE REPRODUCED, COPIED, OR USED AS THE BASIS FOR MANUFACTURE OR SALE OF APPARATUS WITHOUT PERMISSION OF THE OWNER.

THIRD ANGLE PROJECTION	CHECKED BY: D	DATE: 12/1/14	<b>INTERNATIONAL INC.</b> 100 ORITANI DR., BLAUVELT, N.Y.
DRAWN BY: C.EVANS	DATE: 12/1/14	TITLE: <b>WIRING SCHEMATIC 460 VAC 3 PHASE, BMK 2500/3000 DBB</b>	
ALL DIMENSIONS ARE IN INCHES AND ALL TOLERANCES ARE AS FOLLOWS UNLESS OTHERWISE SPECIFIED: XX.XX ± .015 XX.X ± .005 FRACTIONS 1/32" ANGLES 11° DIAMETERS ON A COMMON AXIS .015 TOTAL CRITICAL DIMENSION (↔)		DWG. NO.: <b>68063</b>	REV: <b>B</b>
PERPENDICULARITY/PARALLELISM/FLATNESS .015 TOTAL ALL DIMENSIONS ARE AFTER FINISH OR PLATING		SHEET 1 OF 2	

Benchmark 2500/3000 460 VAC DBB – Drawing Number: 68063 rev B Sheet 1 of 2

CONTROL BOX CONNECTORS

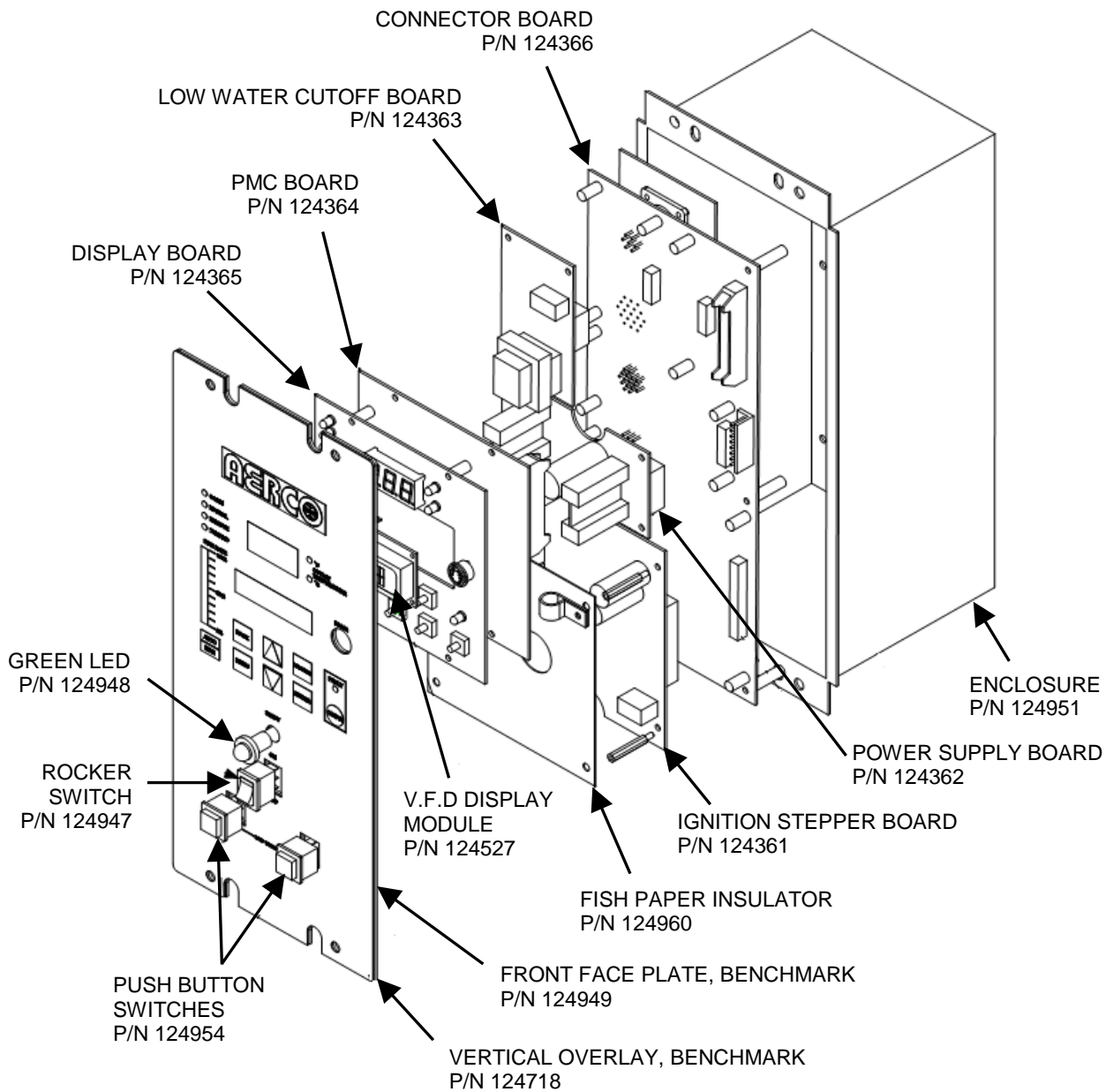


THIRD ANGLE PROJECTION		ORIGINAL DWG. NO. D	DRAWN BY: C. EVANS	DATE: 1/21/14	<p>INTERNATIONAL INC. BLAUVELT, NY 10913</p>
FOR REVISION SEE FIRST PAGE		CHECKED BY:	DATE:	<p>TITLE: <b>WIRING SCHEMATIC 460 VAC 3 PHASE, BMK 2500/3000 DBB</b></p>	
<p>ALL DIMENSIONS ARE IN INCHES AND ALL TOLERANCES ARE AS FOLLOWS UNLESS OTHERWISE SPECIFIED:                  XX ±.015 XXX ±.005 FRACTIONS 1/32 ANGLES ±1°                  DIAMETERS ON A COMMON AXIS .015 TOTAL                  CRITICAL DIMENSION (C) .015 TOTAL                  PERPENDICULARITY/PARALLELISM/FINISH .015 TOTAL                  ALL DIMENSIONS ARE AFTER FINISH OR PLATING</p>					<p>MATL. SPEC.:</p>
<p>THESE DRAWINGS AND/OR SPECIFICATIONS ARE THE PROPERTY OF AERCO INTERNATIONAL, INC. THEY ARE ISSUED IN STRICT CONFIDENCE AND SHALL NOT BE REPRODUCED, COPIED, OR USED AS THE BASIS FOR MANUFACTURE OR SALE OF APPARATUS WITHOUT PERMISSION OF THE OWNER.</p>				<p>DWG. NO.: <b>68063</b></p>	<p>REV: <b>B</b></p>

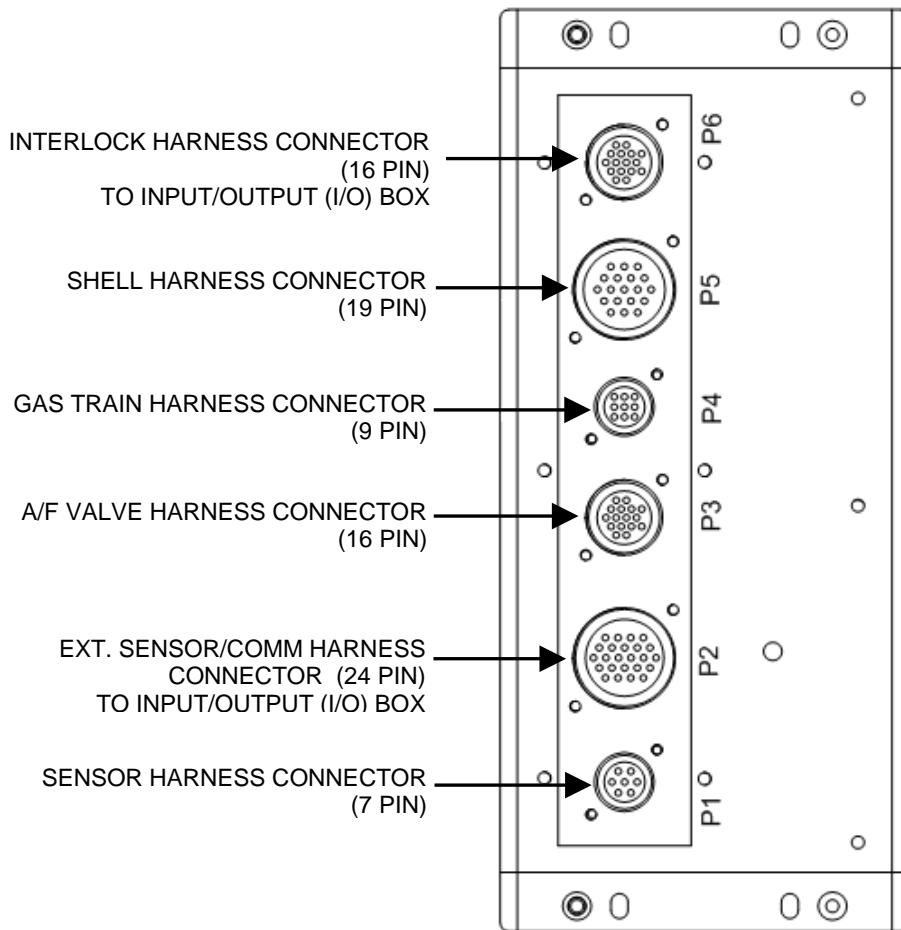
Benchmark 2500/3000 460 VAC DBB – Drawing Number: 68063 rev B Sheet 2 of 2



# Appendix J: C-MORE CONTROLLER VIEWS



**Figure J-1 – C-More Controller - Exploded View**



**Figure J-2: C-More Controller Rear View**

## Appendix K: RECOMMENDED SPARES

**NOTE:**

Refer to the Parts List Illustrations in Appendix F – H for the locations of the recommended and optional spare parts listed in the following tables.

**TABLE K-1: RECOMMENDED EMERGENCY SPARE PARTS**

DESCRIPTION	BMK 750/1000	BMK 1500/2000	BMK 2500/3000
120 VAC Blower	58061	69078	24351 or 24350
SSOV Actuator/Regulator Combo - Used on: <ul style="list-style-type: none"> <li>• ALL FM gas train models</li> <li>• Downstream SSOV of IRI gas train models</li> </ul>	64048	69005	69005
SSOV Actuator <u>Without</u> Proof of Closure Switch - Used on: <ul style="list-style-type: none"> <li>• Upstream SSOV of IRI gas train models</li> </ul>	69038	69038	69038
Temperature Switch - Manual Reset	123552	123552	123552

**TABLE K-2: RECOMMENDED SPARE PARTS FOR MAINTENANCE**

DESCRIPTION	PART NUMBER
Annual Maintenance Kit	BMK 750 – 3000: 58025-01
24-month Waterside/Fireside Inspection Kit	BMK 750/1000: 58025-08
	BMK 1500/2000: 58025-13
	BMK 2500/3000: 58025-10

**TABLE K-3: OPTIONAL SPARE PARTS**

DESCRIPTION	PART NUMBER
C-More Controller	181197
Burner	BMK 750/1000: 46023
	BMK 1500: 46042
	BMK 2000: 46044
	BMK 2500: 46039
	BMK 3000: 46038
Lean Oxygen Sensor	61026

**CHANGE LOG:**

Date	Description	Changed By
05/02/2017	Rev A: Initial release	Chris Blair



© AERCO International, Inc., 2017