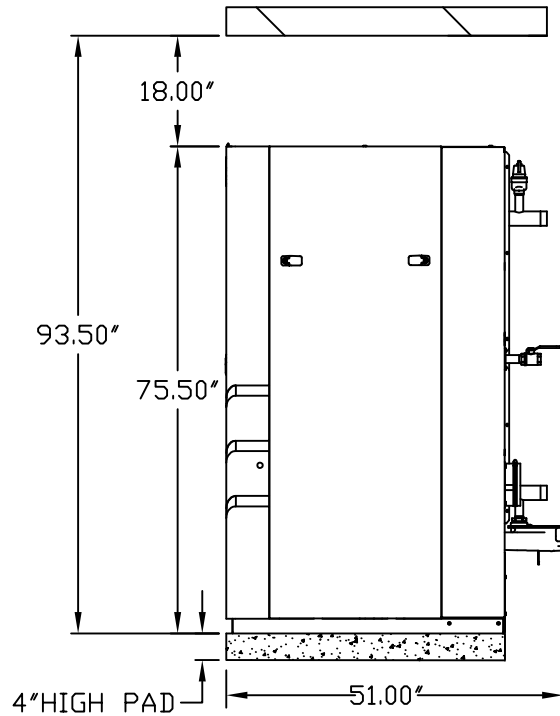
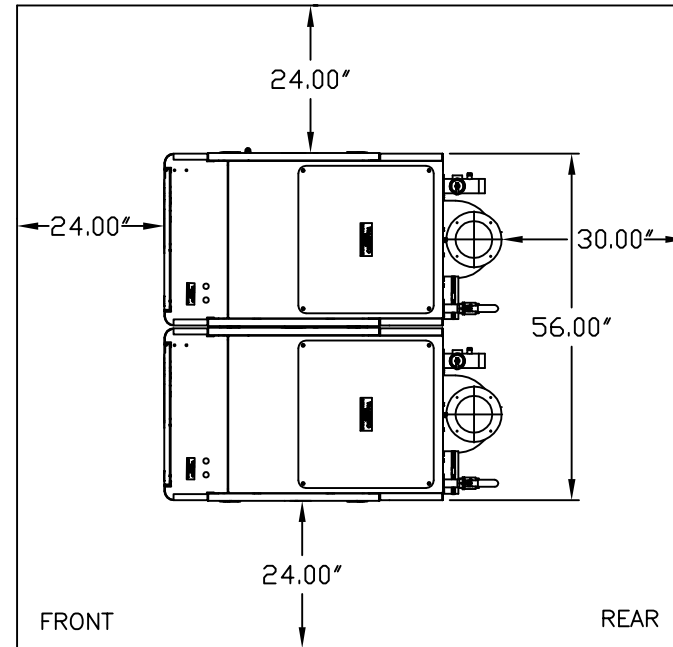


SIDE VIEW



TOP VIEW



INSTALLATION CLEARANCES

- 1) THIS APPLIANCE MAY BE INSTALLED IN CLOSET, ON COMBUSTIBLE FLOORING
- 2) MINIMUM CLEARANCES TO ADJACENT CONSTRUCTION ARE AS FOLLOWS:  
 LEFT AND RIGHT SIDES: 24.00"  
 FRONT: 24.00"  
 REAR: 30.00"  
 CEILING HEIGHT: 97.50"
- 3) THE INNER SIDE PANELS MUST BE REMOVED FROM BOTH UNITS FOR ZERO SIDE CLEARANCE INSTALLATIONS
- 4) THE ZERO SIDE CLEARANCE OPTION CAN ONLY BE EMPLOYED IN TWO UNIT SETS
- 5) THE ZERO SIDE CLEARANCE KIT (P/N# 58079) MUST BE INSTALLED

**AERCO** INTERNATIONAL, INC.  
Blauvelt, NY 10913

INNOVATION GAS FIRED WATER HEATER  
TWO UNIT ZERO SIDE CLEARANCE  
INSTALLATION CLEARANCES

DWN. BY AR DATE 012411  
SCALE NTS  
APPD. \_\_\_\_\_ DATE \_\_\_\_\_

SD-A-835

REV.  
B