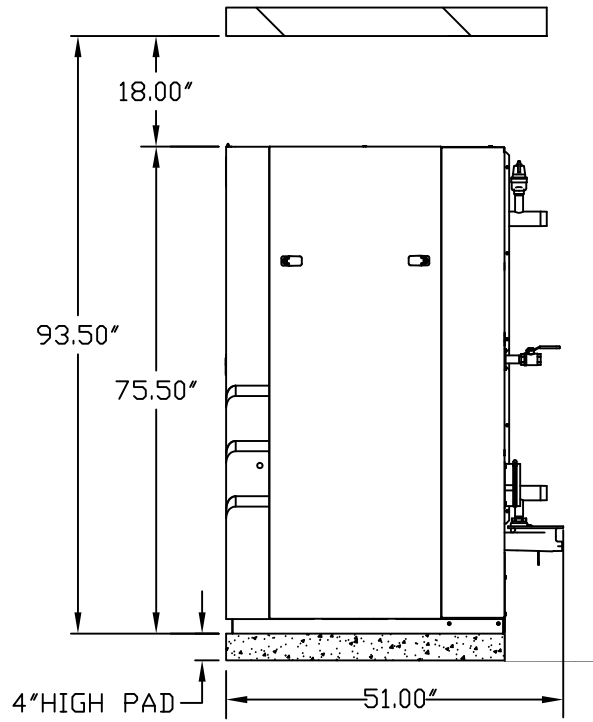
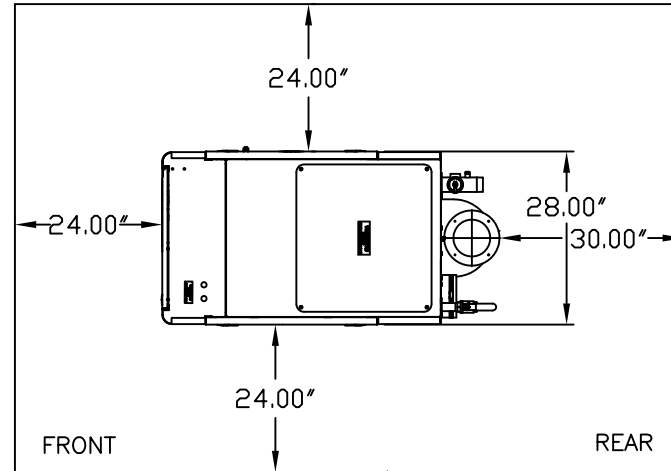


SIDE VIEW



TOP VIEW



INSTALLATION CLEARANCES

- 1) THIS APPLIANCE MAY BE INSTALLED IN CLOSET, ON COMBUSTIBLE FLOORING
- 2) MINIMUM CLEARANCES TO ADJACENT CONSTRUCTION ARE AS FOLLOWS:

LEFT AND RIGHT SIDES: 24.00"
FRONT: 24.00"
REAR: 30.00"
CEILING HEIGHT: 97.50"

AERCO INTERNATIONAL, INC.
Blauvelt, NY 10913

INNOVATION
GAS FIRED WATER HEATER
INSTALLATION CLEARANCES

DWN.BY AR DATE 012411
SCALE NTS
APPD. _____ DATE _____

SD-A-834

REV.
A