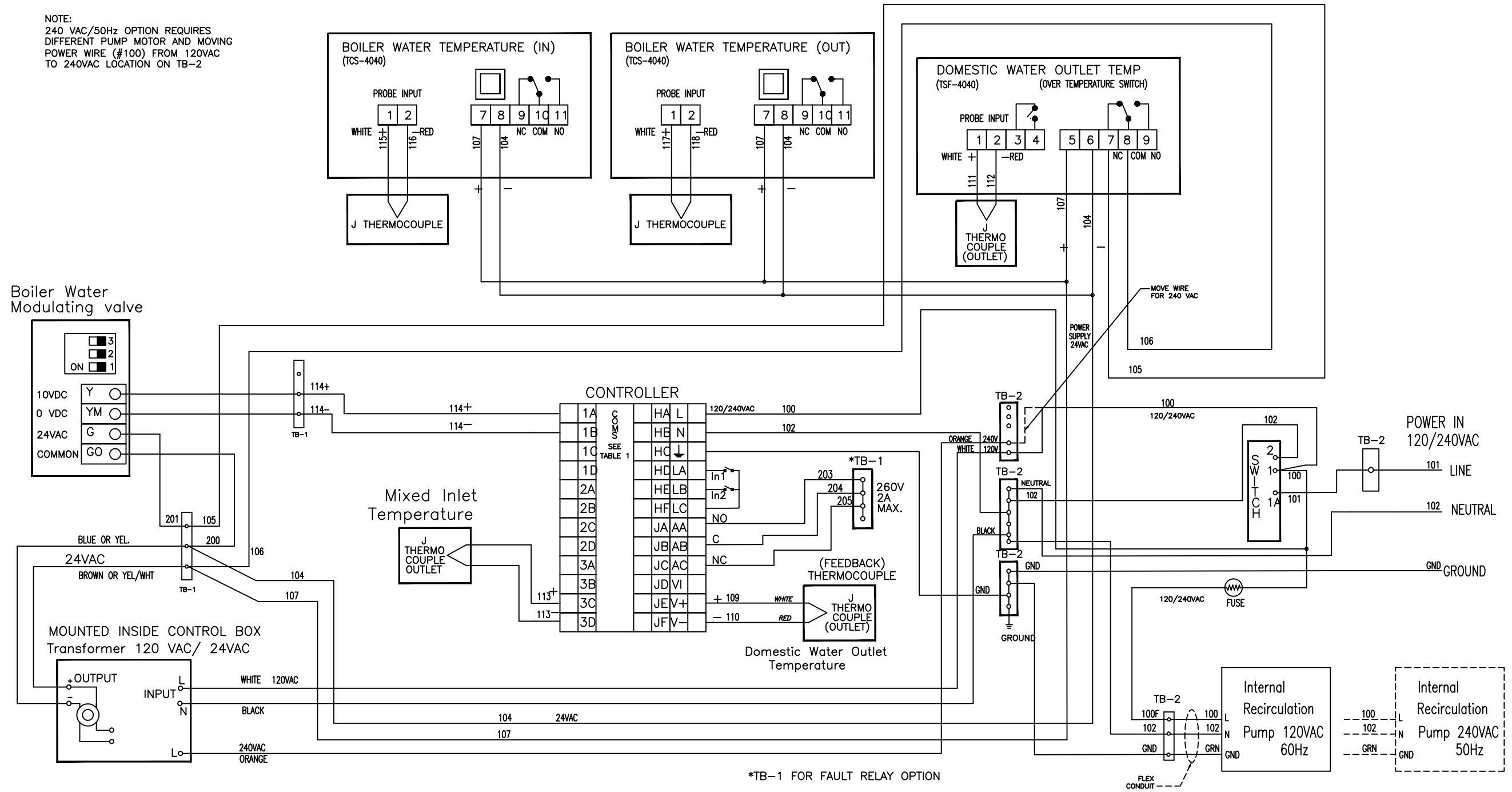


NOTE:
240 VAC/50Hz OPTION REQUIRES
DIFFERENT PUMP MOTOR AND MOVING
POWER WIRE (#100) FROM 120VAC
TO 240VAC LOCATION ON TB-2



NOTE: UPON LOSS OF POWER, HEATER SHUTS DOWN.

IF ORDERED WITH MODBUS COMMUNICATIONS OPTION, SEE TABLE BELOW FOR SIGNAL CONNECTIONS.
DO NOT ROUTE MODBUS COMMUNICATION WIRING IN THE SAME CONDUIT AS POWER WIRING.
MAXIMUM SIGNAL CABLE LENGTH ALLOWED: RS232 50FT, RS485 4000FT.

TEMP CONTROLLER		COMPUTER CONTROL CABLE			
		RS-232 / 9 PIN		RS-232 / 25 PIN	
SIGNAL NAME	PIN NO.	SIGNAL NAME	PIN NO.	PIN NO.	PIN NO.
GROUND	HD	GROUND	5	7	GROUND
RECEIVE	HE	TRANSMIT	3	2	A (-)
TRANSMIT	HF	RECEIVE	2	3	B (+)

AERCO INTERNATIONAL, INC.
NORTHVALE, NJ 07647

SMARTPLATE WATER TO WATER HEATER
WIRING DIAGRAM

DWN. BY <u>CZ</u> DATE <u>051109</u>	SD-A-769	REV. E
SCALE _____		
APPD. _____ DATE _____		