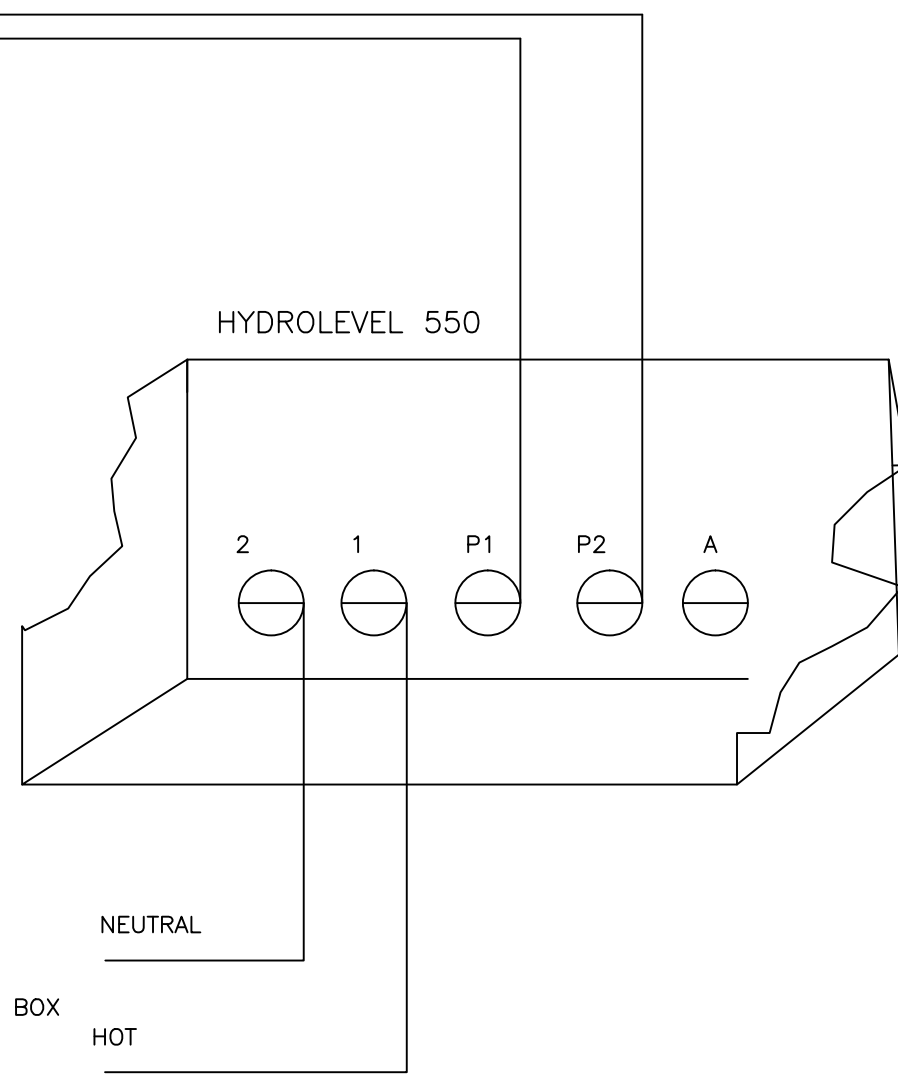
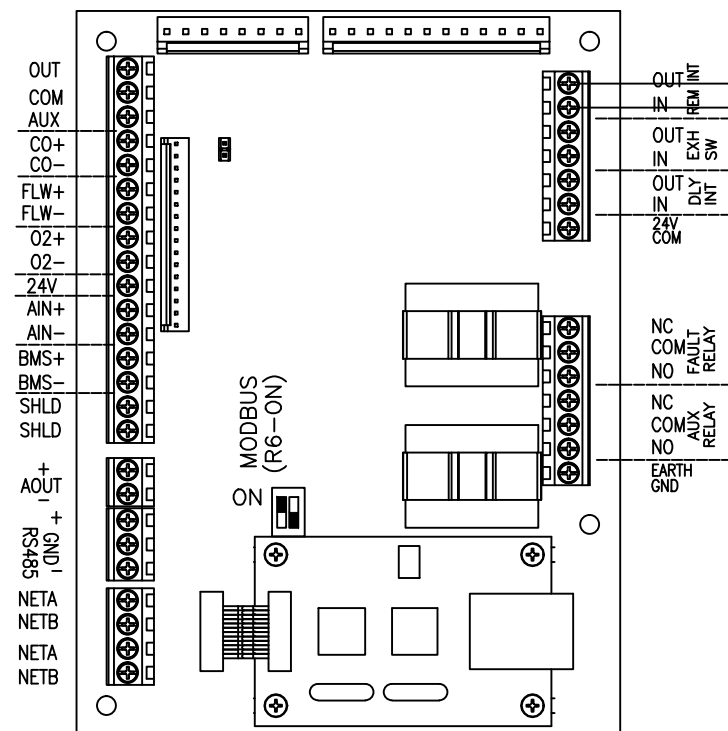


INPUT/OUTPUT BOX ON BMK BOILER



| MODEL AND ELECTRICAL CONFIGURATION | HOT | NEUTRAL |
|------------------------------------|-------------------------------------|------------------------------------|
| BMK 750-2000 120V/1PH/60Hz | HOT TERMINAL OF THE TERMINAL BLOCK | NEU TERMINAL OF THE TERMINAL BLOCK |
| BMK 2500-6000 208-230V/3PH/60Hz | L1 TERMINAL OF THE TERMINAL BLOCK | NEU TERMINAL OF THE TERMINAL BLOCK |
| BMK 2500-6000 460V/3PH/60Hz | 120V TERMINAL OF THE TERMINAL BLOCK | NEU TERMINAL OF THE TERMINAL BLOCK |
| BMK 6000 575V/3PH/60Hz | 120V TERMINAL OF THE TERMINAL BLOCK | NEU TERMINAL OF THE TERMINAL BLOCK |

AERCO INTERNATIONAL, INC.
NORTHVALE, NJ 07647

BENCHMARK BOILER
WIRING DIAGRAM FOR HYDROLEVEL 550
SECONDARY WATER LEVEL CUT-OFF

| | | |
|--------------------------------------|----------|-----------|
| DWN. BY <u>ES</u> DATE <u>031003</u> | SD-A-623 | REV. F |
| SCALE <u>NTS</u> | | |
| APPD. _____ DATE _____ | | |