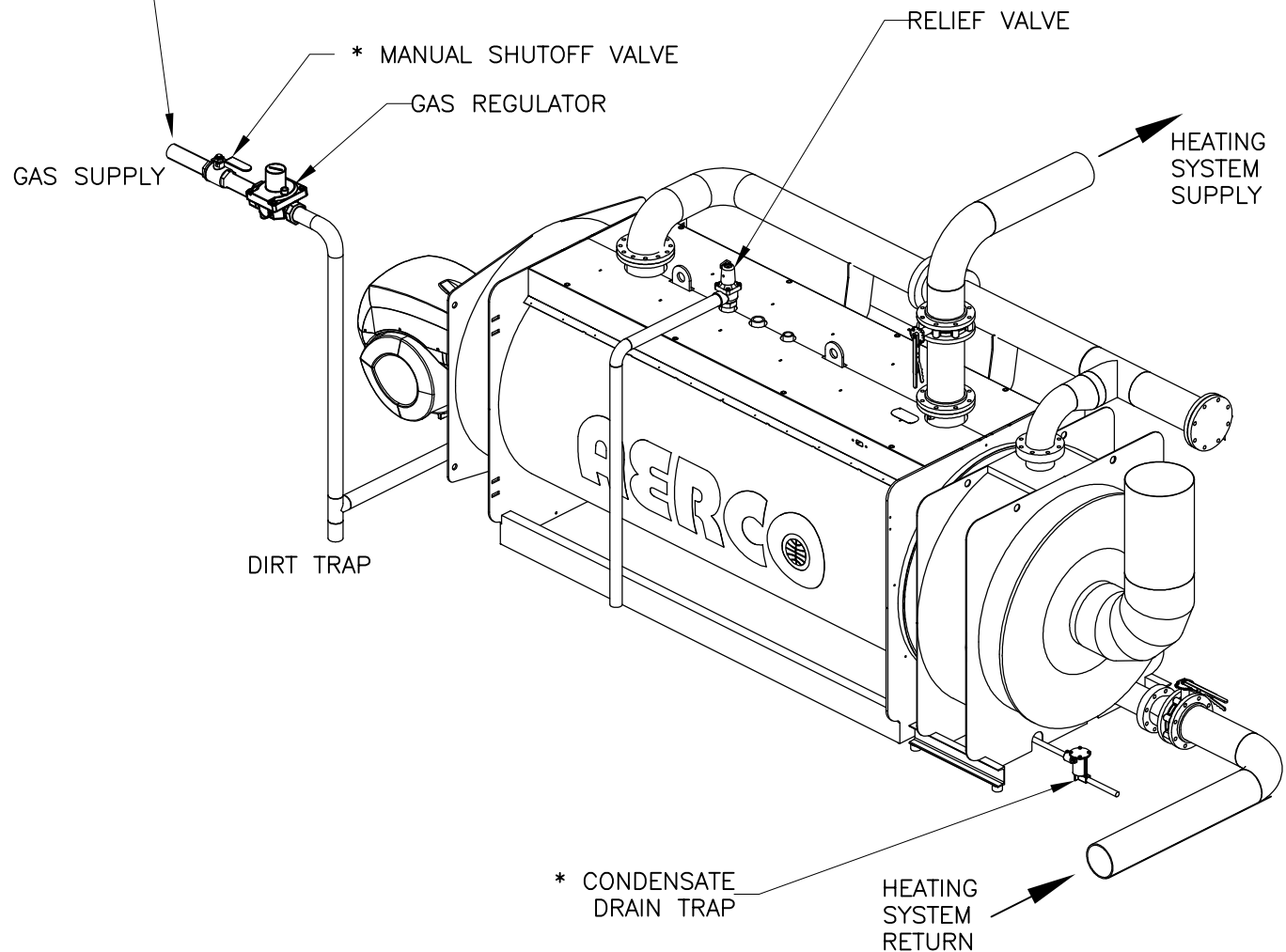


AT MAXIMUM BTU/HR INPUT,
 MIN. GAS PRESSURE AT 1 PSI
 MAX. GAS PRESSURE = 5 PSI
 (SEE NOTE 7)



- NOTES:
- 1) FOR ACTUAL SIZES AND LOCATIONS OF PIPING AND OTHER CONNECTIONS TO THE BOILER, SEE DIMENSIONAL DRAWINGS.
 - 2) SHELL DRAIN VALVE AND CONDENSATE DRAIN TRAP SHOULD BE ARRANGED TO PERMIT THE FLUIDS TO DRAIN FREELY, BY GRAVITY, TO A CONVENIENT FLOOR DRAIN. PIPING OF RELIEF VALVE MUST COMPLY WITH LOCAL CODES.
 - 3) ALL (*) ITEMS ARE INCLUDED SEPARATELY IN SHIPMENT FROM FACTORY.
 - 4) LOCATE WATER INLET AND OUTLET FITTINGS (i.e. UNIONS, ELBOWS, ETC.) A MINIMUM OF 18" FROM BOILER FITTINGS TO PREVENT INTERFERENCE WITH SERVICE. ALL PIPING AND ELECTRIC CONNECTIONS (SERVICE SWITCHES, CONDUIT BOXES) SHOULD LIKEWISE BE 6" AWAY FROM SIDE OF UNIT.
 - 5) THIS IS A TYPICAL INSTALLATION DRAWING. LOCAL CODES AND AUTHORITIES SHOULD BE CONSULTED.
 - 6) WHEN USING THE AERCO CONDENSATE NEUTRALIZER TANK, FOR PROPER CONDENSATE DRAINAGE, THE NEUTRALIZER TANK MUST BE INSTALLED IN A PIT OR THE BOILER AND THE AERCO CONDENSATE TRAP MUST BE ELEVATED HIGHER THAN 4" ABOVE THE FLOOR. SEE CONDENSATE TANK INSTRUCTIONS TID-0074 FOR DETAILS.
 - 7) GAS PRESSURE RANGE IS DEPENDENT ON GAS TRAIN ORDERED. CONSULT MFC SERIES FUEL SUPPLY GUIDE GF-148G FOR ADDITIONAL DETAILS.

AERCO INTERNATIONAL, INC. <small>Blauvelt, NY 10913</small>	
MFC SERIES GAS FIRED BOILERS SINGLE UNIT INSTALLATION	
DWN. BY <u>K.S.</u> DATE <u>052915</u> SCALE <u>NTS</u> REVD. BY _____ DATE _____	SD-A-1078 REV A