

Benchmark 2500/3000 Dual Fuel & Propane Boilers
Installation, Operation & Maintenance Manual



A Watts Water Technology Company

**Propane and Natural Gas
Modulating & Condensing
Hot Water Boilers**

Propane-Only Models:

- BMK 2500P
- BMK 3000P

**Natural Gas/Propane
Dual Fuel Models:**

- BMK 2500DF
- BMK 3000DF

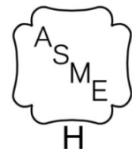
Applicable to Serial Numbers:
G-15-2700 and Above

Release Date: 09/30/2015

USER MANUAL

Installation, Operation and Maintenance

**BENCHMARK
2500 & 3000
(PROPANE & DUAL FUEL)
Gas-Fired Boilers**



Benchmark 2500/3000 Dual Fuel & Propane Boilers

Installation, Operation & Maintenance Manual

DISCLAIMER

The information contained in this manual is subject to change without notice from AERCO International, Inc. AERCO makes no warranty of any kind with respect to this material, including, but not limited to, implied warranties of merchantability and fitness for a particular application. AERCO International is not liable for errors appearing in this manual, nor for incidental or consequential damages occurring in connection with the furnishing, performance, or use of these materials.



**Technical Support
(Mon-Fri, 8am-5pm EST)
1-800-526-0288
www.aerco.com**

Benchmark 2500/3000 Dual Fuel & Propane Boilers

Installation, Operation & Maintenance Manual

TABLE OF CONTENTS

FOREWORD.....	5
CHAPTER 1: SAFETY PRECAUTIONS	11
1.1 WARNINGS & CAUTIONS.....	11
1.2 EMERGENCY SHUTDOWN	12
1.3 PROLONGED SHUTDOWN	12
CHAPTER 2: INSTALLATION	15
2.1 INTRODUCTION	15
2.2 RECEIVING THE UNIT	15
2.3 UNPACKING	15
2.4 SITE PREPARATION.....	16
2.4.1 Installation Clearances.....	16
2.4.2 Setting the Unit.....	17
2.5 SUPPLY AND RETURN PIPING	18
2.6 PRESSURE RELIEF VALVE INSTALLATION.....	19
2.7 CONDENSATE DRAIN & PIPING.....	20
2.8 GAS SUPPLY PIPING.....	22
2.8.1 Gas Supply Specifications	22
2.8.2 Manual Gas Shutoff Valve	22
2.8.3 External Gas Supply Regulator.....	23
2.8.3.1 Massachusetts Installations Only.....	23
2.8.3.2 All Installations (Except Massachusetts).....	23
2.9 AC ELECTRICAL POWER WIRING	24
2.9.1 Electrical Power Requirements	25
2.10 FIELD CONTROL WIRING	26
2.10.1 OUTDOOR AIR IN Terminal	27
2.10.2 AIR TEMP SENSOR Terminals	27
2.10.3 O ₂ Sensor Terminals.....	28
2.10.4 SPARK SIGNAL Terminals.....	28
2.10.5 ANALOG IN Terminals.....	28
2.10.6 VALVE FEEDBACK Terminals	28
2.10.7 SHIELD Terminals	29
2.10.8 ANALOG OUT Terminals.....	29
2.10.9 RS485 Comm Terminals.....	29
2.10.10 RS232 Comm Terminals.....	29
2.10.11 VFD/BLOWER Terminals.....	29
2.10.12 Interlock Terminals.....	29
2.10.12.1 Remote Interlock In (OUT & IN).....	29
2.10.12.2 Delayed Interlock In (OUT & IN)	30
2.10.13 Fault Relay (NC, COM, & NO).....	30
2.10.14 Auxiliary Relay Contacts (NC, COM, & NO)	30
2.11 FLUE GAS VENT INSTALLATION	30
2.12 COMBUSTION AIR	31
2.13 DUCTED COMBUSTION AIR	31
2.14 SEQUENCING VALVE INSTALLATION.....	32
CHAPTER 3: OPERATION.....	35
3.1 INTRODUCTION	35
3.2 CONTROL PANEL DESCRIPTION	35
3.3 CONTROL PANEL MENUS	39
3.3.1 Menu Processing Procedure.....	39
3.4 OPERATING MENU	41
3.5 SETUP MENU	42
3.6 CONFIGURATION MENU.....	42
3.7 TUNING MENU	44
3.8 COMBUSTION CAL MENU	44

Benchmark 2500/3000 Dual Fuel & Propane Boilers

Installation, Operation & Maintenance Manual

3.9 BST (Boiler Sequencing Technology) Menu	46
3.10 START SEQUENCE.....	48
3.11 START/STOP LEVELS	52
CHAPTER 4: INITIAL START-UP	55
4.1 INITIAL START-UP REQUIREMENTS	55
4.2 TOOLS AND INSTRUMENTATION FOR COMBUSTION CALIBRATION.....	55
4.2.1 Required Tools & Instrumentation.....	55
4.2.2 Installing Gas Supply Manometer	56
4.2.3 Accessing the Analyzer Probe Port.....	57
4.3 NATURAL GAS COMBUSTION CALIBRATION	58
4.4 PROPANE GAS COMBUSTION CALIBRATION.....	62
4.5 REASSEMBLY AFTER COMBUSTION CALIBRATION.....	65
4.6 DUAL-FUEL SWITCHOVER INSTRUCTIONS.....	66
4.6.1 Switchover from NATURAL GAS to PROPANE	66
4.6.2 Switchover from PROPANE to NATURAL GAS	67
4.7 OVER-TEMPERATURE LIMIT SWITCHES.....	68
4.7.1 Digital Alarm Switch Checks and Adjustments	69
CHAPTER 5: MODE OF OPERATION	71
5.1 INTRODUCTION	71
5.2 INDOOR/OUTDOOR RESET MODE.....	71
5.2.1 Reset Ratio	71
5.2.2 Building Reference Temperature	71
5.2.3 Outdoor Air Temperature Sensor Installation.....	71
5.2.4 Indoor/Outdoor Startup	71
5.3 CONSTANT SETPOINT MODE.....	72
5.3.1 Setting the Setpoint.....	72
5.4 REMOTE SETPOINT MODES.....	73
5.4.1 Remote Setpoint Field Wiring	73
5.4.2 Remote Setpoint Startup.....	74
5.5 DIRECT DRIVE MODES.....	74
5.5.1 Direct Drive Field Wiring	75
5.5.2 Direct Drive Startup.....	75
5.6 AERCO CONTROL SYSTEM (ACS)	75
5.6.1 ACS External Field Wiring.....	75
5.6.2 ACS Setup and Startup.....	76
5.7 COMBINATION CONTROL SYSTEM (CCS).....	76
5.7.1 Combination Control System Field Wiring	77
5.7.2 Combination Control System Setup and Startup	77
CHAPTER 6: SAFETY DEVICE TESTING	79
6.1 TESTING OF SAFETY DEVICES	79
6.2 LOW GAS PRESSURE FAULT TEST	80
6.3 HIGH GAS PRESSURE TEST	81
6.4 LOW WATER LEVEL FAULT TEST	82
6.5 WATER TEMPERATURE FAULT TEST.....	83
6.6 INTERLOCK TESTS	84
6.6.1 Remote Interlock Test.....	84
6.6.2 Delayed Interlock Test	85
6.7 FLAME FAULT TESTs	85
6.8 AIR FLOW FAULT TESTS	87
6.8.1 Blower Proof Switch Test.....	87
6.8.2 Blocked Inlet Switch Test.....	87
6.9 SSOV PROOF OF CLOSURE SWITCH.....	89
6.10 PURGE SWITCH OPEN DURING PURGE	90
6.11 IGNITION SWITCH OPEN DURING IGNITION.....	91
6.12 SAFETY PRESSURE RELIEF VALVE TEST	92
CHAPTER 7: MAINTENANCE	93
7.1 MAINTENANCE SCHEDULE.....	93
7.2 IGNITER-INJECTOR.....	94

Benchmark 2500/3000 Dual Fuel & Propane Boilers

Installation, Operation & Maintenance Manual

7.3 FLAME DETECTOR.....	97
7.4 O ₂ SENSOR	97
7.5 SAFETY DEVICE TESTING	98
7.6 BURNER ASSEMBLY INSPECTION.....	98
7.7 CONDENSATE DRAIN TRAP.....	101
7.8 FILTER CLEANING & REPLACEMENT	102
7.9 CABINET EXHAUST FAN INSPECTION & REPLACEMENT	103
7.10 WATER CUTOFF (LWCO) CAPACITOR INTEGRITY TEST	104
7.10.1 Low Water Cutoff (LWCO) - Capacitor Electrical Short Test	104
7.10.2 Low Water Cutoff (LWCO) - Standard C-More Test	106
7.11 SHUTTING THE BOILER DOWN FOR AN EXTENDED PERIOD OF TIME	106
7.12 PLACING THE BOILER BACK IN SERVICE AFTER A PROLONGED SHUTDOWN	107
7.13 SPARK MONITOR (AC CURRENT TRANSDUCER).....	107
CHAPTER 8: TROUBLESHOOTING GUIDE	109
8.1 INTRODUCTION	109
8.2 ADDITIONAL FAULTS WITHOUT SPECIFIC FAULT MESSAGES.....	122
CHAPTER 9: BOILER SEQUENCING TECHNOLOGY	125
9.1 INTRODUCTION	125
9.1.1 Installation Notes.....	126
9.2 AERCO BST QUICK START CHART	127
9.3 BST IMPLEMENTATION INSTRUCTION.....	128
9.3.1 Option 1 - Constant Setpoint with DIRECT Wired Header Sensor	128
9.3.2 Option 2 - Constant Setpoint with MODBUS Wired Header Sensor	129
9.3.3 Option 3 - Outdoor Reset with DIRECT WIRED Header Sensor AND DIRECT WIRED Outdoor Sensor.....	130
9.3.4 Option 4 - Outdoor Reset with MODBUS Header Sensor AND MODBUS Outdoor Sensor.....	132
9.3.5 Option 5 - Remote Setpoint with DIRECT WIRED Header Sensor AND 4-20ma Setpoint Drive	134
9.3.6 Option 6 - Remote Setpoint with DIRECT WIRED Header Sensor AND MODBUS Setpoint Drive.....	136
9.3.7 Option 7 - Remote Setpoint with MODBUS Header Sensor AND 4-20ma Setpoint Drive.....	137
9.3.8 Option 8 - Remote Setpoint with MODBUS Header Sensor AND MODBUS Setpoint Drive	139
APPENDIX A – BOILER MENU ITEM DESCRIPTIONS	141
TABLE A-1: OPERATING MENU ITEM DESCRIPTIONS.....	141
TABLE A-2: SETUP MENU ITEM DESCRIPTIONS	142
TABLE A-3: CONFIGURATION MENU ITEM DESCRIPTIONS.....	143
TABLE A-4: TUNING MENU ITEM DESCRIPTIONS	146
TABLE A-5: COMBUSTION CALIBRATION MENU ITEM DESCRIPTIONS	147
APPENDIX B – STARTUP, STATUS & DISPLAY MESSAGES.....	149
APPENDIX C – SENSOR RESISTANCE/VOLTAGE CHART	153
APPENDIX D – RECOMMENDED PERIODIC TESTING	155
APPENDIX E – INDOOR/OUTDOOR RESET RATIO CHARTS	157
APPENDIX F – DIMENSIONAL DRAWING	161
APPENDIX G – CLEARANCE DRAWINGS.....	162
APPENDIX H – PART LIST DRAWINGS	163
APPENDIX I – WIRING DIAGRAMS.....	181
APPENDIX J – PIPING DRAWINGS.....	197
APPENDIX K – C-MORE CONTROL PANEL VIEWS	205
APPENDIX L – RECOMMENDED SPARES	207
APPENDIX M – KOREAN GAS TRAINS	209

Benchmark 2500/3000 Dual Fuel & Propane Boilers

Installation, Operation & Maintenance Manual

(This page intentionally blank)

Benchmark 2500/3000 Dual Fuel & Propane Boilers

FORWARD

FOREWORD

The AERCO Benchmark (BMK) 2500 & 3000 MBH Dual Fuel Boilers are modulating and condensing boilers. They are a true industry advancement that meets the needs of today's energy and environmental concerns. Designed for application in any closed loop hydronic system, the Benchmark's modulating capability relates energy input directly to fluctuating system loads. The turn down ratio is 15:1 maximum. This BMK model provides extremely high efficiency and makes it ideally suited for modern low temperature, as well as, conventional heating systems. It may be set to use either natural gas or propane gas.

The Benchmark Model BMK 2500DF & BMK 3000DF operate within the following input and output ranges:

Benchmark Model	Input Range (BTU/hr.)		Output Range (BTU/hr.)	
	Minimum	Maximum	Minimum	Maximum
BMK 3000DF & 3000P	200,000	3,000,000	186,000	2,790,000
BMK 2500DF & 2500P	167,000	2,500,000	155,000	2,325,000

The output of the boiler is a function of the unit's firing rate (valve position) and return water temperature.

When installed and operated in accordance with this Instruction Manual, these Dual Fuel Boilers comply with the NOx emission standards outlined in:

- South Coast Air Quality Management District (SCAQMD), Rule 1146.2

Whether used in singular or modular arrangements, the BMK 2500DF and 3000DF Dual Fuel boilers offer the maximum venting flexibility with minimum installation space requirements. These Boilers are Category II, III and IV, positive pressure appliances. Single and/or multiple breeched units are capable of operation in the following vent configurations:

- Conventional, Vertical
- Conventional, Sidewall
- Conventional, Direct Vent, Vertical
- Sealed, Direct Vent, Horizontal

These boilers are capable of being vented utilizing Polypropylene and AL29-4C vent systems.

The Benchmark's advanced electronics are available in several selectable modes of operation offering the most efficient operating methods and energy management system integration.

IMPORTANT

Unless otherwise specified, all descriptions and procedures provided in this Installation, Operation & Maintenance Manual apply to the Benchmark series of boilers in Dual Fuel (natural gas and propane) or propane-only configurations.

Benchmark 2500/3000 Dual Fuel & Propane Boilers

FORWARD

Phrases, Abbreviations and Acronyms

Phrase, Abbreviation or Acronym	Meaning
A (Amp)	Ampere
ACS	AERCO Control System, AERCO's boiler management systems
ADDR	Address
AGND	Analog Ground
ALRM	Alarm
ANSI	American National Standards Institute,
ASME	American Society of Mechanical Engineers
AUX	Auxiliary
BAS	Building Automation System, often used interchangeably with EMS (see below)
Baud Rate	Symbol rate, or simply the number of distinct symbol changes (signaling events) transmitted per second. It is not equal to bits per second, unless each symbol is 1 bit long.
BMK (Benchmark)	AERCO's Benchmark series boilers
BMS or BMS II	AERCO Boiler Management Systems
BLDG (Bldg)	Building
BST	AERCO on-board Boiler Sequencing Technology
BTU	British Thermal Unit. A unit of energy approximately equal to the heat required to raise 1 pound of water 1° F.
BTU/HR	BTUs per Hour
CCP	Combination Control Panel
CCS	Combination Control System
C-More Controller (or Control Box)	A control system developed by AERCO and currently used in all Benchmark, Innovation and KC1000 Series product lines.
CFH	Cubic Feet per Hour
CO	Carbon Monoxide
COMM (Comm)	Communication
Cal.	Calibration
CNTL	Control
CPU	Central Processing Unit
DBB	Double Block and Bleed, a gas trains containing 2 Safety Shutoff Valves (SSOVs) and a solenoid operated vent valve.
DIP	Dual In-Line Package, a type of switch
ECU	Electronic Control Unit (O ₂ sensor)
EMS	Energy Management System; often used interchangeably with BAS
FM	Factory Mutual. Used to define boiler gas trains.
GF-xxxx	Gas Fired (an AERCO document numbering system)
GPH	Gallons per Hour
GND	Ground

Benchmark 2500/3000 Dual Fuel & Propane Boilers

FORWARD

Phrase, Abbreviation or Acronym	Meaning
HDR	Header
Hex	Hexadecimal Number (0 – 9, A – F)
HP	Horse Power
HX	Heat Exchanger
Hz	Hertz (Cycles Per Second)
I.D.	Inside Diameter
IGN	Ignition
IGST Board	Ignition/Stepper Board, contained in C-More Control Box
INTLK (INTL'K)	Interlock
I/O	Input/Output
I/O Box	Input/Output (I/O) Box currently used on Benchmark, Innovation and KC1000 Series products
IP	Internet Protocol
ISO	International Organization for Standardization
Lbs.	Pounds
LED	Light Emitting Diode
LN	Low Nitrogen Oxide
MA (mA)	Milliampere (1 thousand th of an ampere)
MAX (Max)	Maximum
MBH	1000 BTUs per Hour
MIN (Min)	Minimum
Modbus®	A serial, half-duplex data transmission protocol developed by AEG Modicon
NC (N.C.)	Normally Closed
NO (N.O.)	Normally Open
NOx	Nitrogen Oxide
NPT	National Pipe Thread
O ₂	Oxygen
O.D.	Outside Diameter
OMM & O&M	Operation and Maintenance Manual
OnAER	AERCO's on-line remote monitoring system
PCB	Printed Circuit Board
PMC Board	Primary Micro-Controller (PMC) board, contained in the C-More
P/N	Part Number
PPM	Parts per Million
PSI	Pounds per Square Inch
PTP	Point-to-Point (usually over RS232 networks)
P&T	Pressure and Temperature
ProtoNode	Hardware interface between BAS and a boiler or water heater
PVC	Poly Vinyl Chloride, a common synthetic plastic
PWM	Pulse Width Modulation
REF (Ref)	Reference

Benchmark 2500/3000 Dual Fuel & Propane Boilers

FORWARD

Phrase, Abbreviation or Acronym	Meaning
RES.	Resistive
RS232 (or EIA-232)	A standard for serial, full-duplex (FDX) transmission of data based on the RS232 Standard
RS422 (or EIA-422)	A standard for serial, full-duplex (FDX) transmission of data based on the RS422 Standard
RS485 (or EIA-485)	A standard for serial, half-duplex (HDX) transmission of data based on the RS485 Standard
RTN (Rtn)	Return
SETPT (Setpt)	Setpoint Temperature
SHLD (Shld)	Shield
SPDT	Single Pole Double Throw, a type of switch
SSOV	Safety Shut Off Valve
TEMP (Temp)	Temperature
Terminating Resistor	A resistor placed at each end of a daisy-chain or multi-drop network in order to prevent reflections that may cause invalid data in the communication
Tip-N-Tell	A device that indicates if a package was tipped during shipping
UL	A business that tests and validates products
VAC	Volts, Alternating Current
VDC	Volts, Direct Current
VFD	Vacuum Fluorescent Display, also Variable Frequency Drive
W	Watt
W.C.	Water Column, a unit of pressure
µA	Micro amp (1 million th of an ampere)

CHAPTER 1: SAFETY PRECAUTIONS

1.1 WARNINGS & CAUTIONS

Installers and operating personnel **MUST**, at all times, observe all safety regulations. The following warnings and cautions are general and must be given the same attention as specific precautions included in these instructions. In addition to all the requirements included in this AERCO Instruction Manual, the installation of units **MUST** conform with local building codes, or, in the absence of local codes, ANSI Z223.1 (National Fuel Gas Code Publication No. NFPA-54) for gas-fired boilers and ANSI/NFPA5B for LP gas-fired boilers. Where applicable, the equipment shall be installed in accordance with the current Installation Code for Gas Burning Appliances and Equipment, CSA B149.1, and applicable Provincial regulations for the class; which should be carefully followed in all cases. Authorities having jurisdiction should be consulted before installations are made.

See pages 13 and 14 for important information regarding installation of units within the Commonwealth of Massachusetts.

IMPORTANT

This Instruction Manual is an integral part of the product and must be maintained in legible condition. It must be given to the user by the installer and kept in a safe place for future reference.

WARNING!

- Do not use matches, candles, flames, or other sources of ignition to check for gas leaks.
- Fluids under pressure may cause injury to personnel or damage to equipment when released. Be sure to shut off all incoming and outgoing water shutoff valves. Carefully decrease all trapped pressures to zero before performing maintenance.
- Before attempting to perform any maintenance on the unit, shut off all gas and electrical inputs to the unit.
- The exhaust vent pipe of the unit operates under a positive pressure and therefore must be completely sealed to prevent leakage of combustion products into living spaces.
- Electrical voltages up to 575 VAC may be used in this equipment. Therefore the cover on the unit's power box (located behind the front panel door) must be installed at all times, except during maintenance and servicing.
- A three-pole switch must be installed on the electrical supply line of the unit. The switch must be installed in an easily accessible position to quickly and safely disconnect electrical service. Do not affix switch to unit sheet metal enclosures.

•

Benchmark 2500/3000 Dual Fuel & Propane Boilers

CHAPTER 1 – SAFETY PRECAUTIONS

CAUTION

- Many kinds of soap used for gas pipe leak testing are corrosive to metals. The piping must be rinsed thoroughly with clean water after leak checks have been completed.
- DO NOT use this boiler if any part has been under water. Call a qualified service technician to inspect and replace any part that has been under water.

1.2 EMERGENCY SHUTDOWN

If overheating occurs or the gas supply fails to shut off, close the manual gas shutoff valve (Figure 1-1) located external to the unit.

NOTE

The Installer must identify and indicate the location of the emergency shutdown manual gas valve to operating personnel.

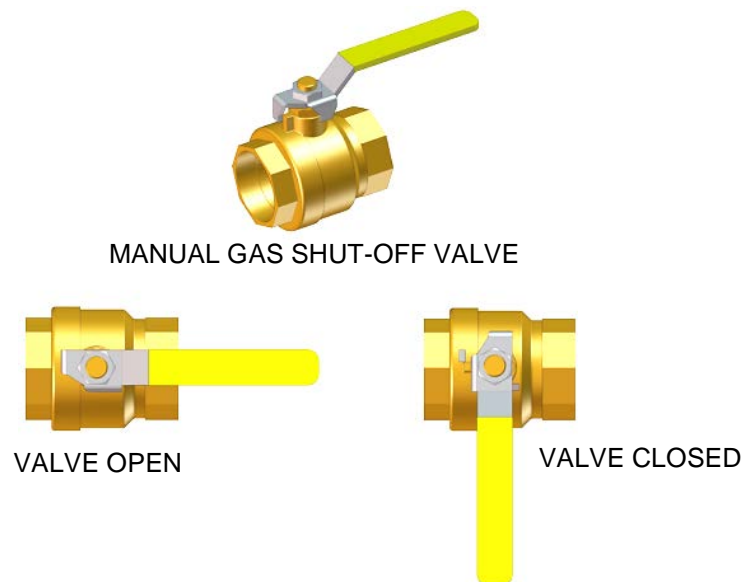


Figure 1-1: Manual Gas Shutoff Valve

1.3 PROLONGED SHUTDOWN

After prolonged shutdown, it is recommended that the startup procedures in Chapter 4 and the safety device test procedures in Chapter 6 of this manual be performed to verify all system-operating parameters. If there is an emergency, turn off the electrical power supply to the AERCO boiler and close the manual gas valve located upstream of the unit. The installer must identify the emergency shut-off device.

Benchmark 2500/3000 Dual Fuel & Propane Boilers

CHAPTER 1 – SAFETY PRECAUTIONS

IMPORTANT – FOR MASSACHUSETTS INSTALLATIONS

(a) Boiler Installations within the Commonwealth of Massachusetts must conform to the following requirements:

- Boiler must be installed by a plumber or a gas fitter who is licensed within the Commonwealth of Massachusetts.
- Prior to unit operation, the complete gas train and all connections must be leak tested using a non-corrosive soap.
- The vent termination must be located a minimum of 4 feet above grade level. If side-wall venting is used, the installation must conform to the following requirements **extracted from 248 CMR 5.08 (2)**:

(a) For all side wall horizontally vented gas fueled equipment installed in every dwelling, building or structure used in whole or in part for residential purposes, including those owned or operated by the Commonwealth and where the side wall exhaust vent termination is less than seven (7) feet above finished grade in the area of the venting, including but not limited to decks and porches, the following requirements shall be satisfied:

1. INSTALLATION OF CARBON MONOXIDE DETECTORS. At the time of installation of the side wall horizontal vented gas fueled equipment, the installing plumber or gasfitter shall observe that a hard wired carbon monoxide detector with an alarm and battery back-up is installed on the floor level where the gas equipment is to be installed. In addition, the installing plumber or gasfitter shall observe that a battery operated or hard wired carbon monoxide detector with an alarm is installed on each additional level of the dwelling, building or structure served by the side wall horizontal vented gas fueled equipment. It shall be the responsibility of the property owner to secure the services of qualified licensed professionals for the installation of hard wired carbon monoxide detectors.

a. In the event that the side wall horizontally vented gas fueled equipment is installed in a crawl space or an attic, the hard wired carbon monoxide detector with alarm and battery back-up may be installed on the next adjacent floor level.

b. In the event that the requirements of this subdivision can not be met at the time of completion of installation, the owner shall have a period of thirty (30) days to comply with the above requirements; provided, however, that during said thirty (30) day period, a battery operated carbon monoxide detector with an alarm shall be installed.

2. APPROVED CARBON MONOXIDE DETECTORS. *Each carbon monoxide detector as required in accordance with the above provisions shall comply with NFPA 720 and be ANSI/UL 2034 listed and IAS certified.*

3. SIGNAGE. A metal or plastic identification plate shall be permanently mounted to the exterior of the building at a minimum height of eight (8) feet above grade directly in line with the exhaust vent terminal for the horizontally vented gas fueled heating appliance or equipment. The sign shall read, in print size no less than one-half (1/2) inch in size, "**GAS VENT DIRECTLY BELOW. KEEP CLEAR OF ALL OBSTRUCTIONS**".

(Continued)

Benchmark 2500/3000 Dual Fuel & Propane Boilers

CHAPTER 1 – SAFETY PRECAUTIONS

(Continued)

4. INSPECTION. The state or local gas inspector of the side wall horizontally vented gas fueled equipment shall not approve the installation unless, upon inspection, the inspector observes carbon monoxide detectors and signage installed in accordance with the provisions of 248 CMR 5.08(2)(a)1 through 4.

(b) EXEMPTIONS: The following equipment is exempt from 248 CMR 5.08(2)(a)1 through 4:

1. The equipment listed in Chapter 10 entitled "Equipment Not Required To Be Vented" in the most current edition of NFPA 54 as adopted by the Board; and
2. Product Approved side wall horizontally vented gas fueled equipment installed in a room or structure separate from the dwelling, building or structure used in whole or in part for residential purposes.

(c) MANUFACTURER REQUIREMENTS - GAS EQUIPMENT VENTING SYSTEM PROVIDED. When the manufacturer of Product Approved side wall horizontally vented gas equipment provides a venting system design or venting system components with the equipment, the instructions provided by the manufacturer for installation of the equipment and the venting system shall include:

1. Detailed instructions for the installation of the venting system design or the venting system components; and
2. A complete parts list for the venting system design or venting system.

(d) MANUFACTURER REQUIREMENTS - GAS EQUIPMENT VENTING SYSTEM NOT PROVIDED. When the manufacturer of a Product Approved side wall horizontally vented gas fueled equipment does not provide the parts for venting the flue gases, but identifies "special venting systems", the following requirements shall be satisfied by the manufacturer:

1. The referenced "special venting system" instructions shall be included with the appliance or equipment installation instructions; and
2. The "special venting systems" shall be Product Approved by the Board, and the instructions for that system shall include a parts list and detailed installation instructions.

(e) A copy of all installation instructions for all Product Approved side wall horizontally vented gas fueled equipment, all venting instructions, all parts lists for venting instructions, and/or all venting design instructions shall remain with the appliance or equipment at the completion of the installation.

[End of Extracted Information From 248 CMR 5.08 (2)]

CHAPTER 2: INSTALLATION

2.1 INTRODUCTION

This Chapter provides the descriptions and procedures necessary to unpack, inspect and install the AERCO Benchmark Model BMK 2500 or 3000, Dual Fuel or Propane only boiler.

2.2 RECEIVING THE UNIT

Each Benchmark Boiler System is shipped as a single crated unit. The shipping weight for these models is approximately 2200 pounds. The unit must be moved with the proper rigging equipment for safety and to avoid equipment damage. The unit should be completely inspected for evidence of shipping damage and shipment completeness at the time of receipt from the carrier and before the bill of lading is signed.

NOTE

AERCO is not responsible for lost or damaged freight. Each unit has a Tip-N-Tell indicator on the outside of the crate. This indicates if the unit has been turned on its side during shipment. If the Tip-N-Tell indicator is tripped, do not sign for the shipment. Note the information on the carrier's paperwork and request a freight claim and inspection by a claims adjuster before proceeding. Any other visual damage to the packaging materials should also be made clear to the delivering carrier.

2.3 UNPACKING

Carefully unpack the unit taking care not to damage the unit enclosure when cutting away packaging materials

After unpacking, a close inspection of the unit should be made to ensure that there is no evidence of damage not indicated by the Tip-N-Tell indicator. The freight carrier should be notified immediately if any damage is detected.

The following accessories come standard with each unit and are either packed separately within the unit's shipping container or are factory installed on the unit:

- Pressure/Temperature Gauge
- ASME Pressure Relief Valve
- Condensate Drain Trap (P/N **24060**)
- 2" Gas Supply Shutoff Valve

When optional accessories are ordered, they may be packed within the unit's shipping container, factory installed on the unit, or packed and shipped in a separate container. Any standard or optional accessories shipped loose should be identified and stored in a safe place until ready for installation or use.

Benchmark 2500/3000 Dual Fuel & Propane Boilers

CHAPTER 2 – INSTALLATION

2.4 SITE PREPARATION

Ensure that the site selected for installation of the Benchmark Boiler includes:

- Access to AC Input Power at 208-230 VAC, Three-Phase, 60 Hz @ 20 Amps
OR 460 VAC, Three-Phase, 60 Hz @ 15 Amps
- Access to **NATURAL GAS** line at a **minimum** pressure of **8" W.C. with unit in operation** (approximately 20" W.C. static) or **PROPANE** Gas line at a **minimum** pressure of **4" W.C. at full (100%) fire rate**.

2.4.1 Installation Clearances

The Benchmark 2500 & 3000 units are packaged in an enclosure having identical exterior dimensions. The unit must be installed with the prescribed clearances for service as shown in Figure 2-1. The minimum clearance dimensions, required by AERCO, are listed below. However, if Local Building Codes require additional clearances, these codes shall supersede AERCO's requirements. Minimum acceptable clearances required are as follows:

- Sides: 24 inches
- Front : 24 inches
- Rear: 24 inches
- Top: 18 inches

All gas piping, water piping and electrical conduit or cable must be arranged so that they do not interfere with the removal of any panels, or inhibit service or maintenance of the unit.

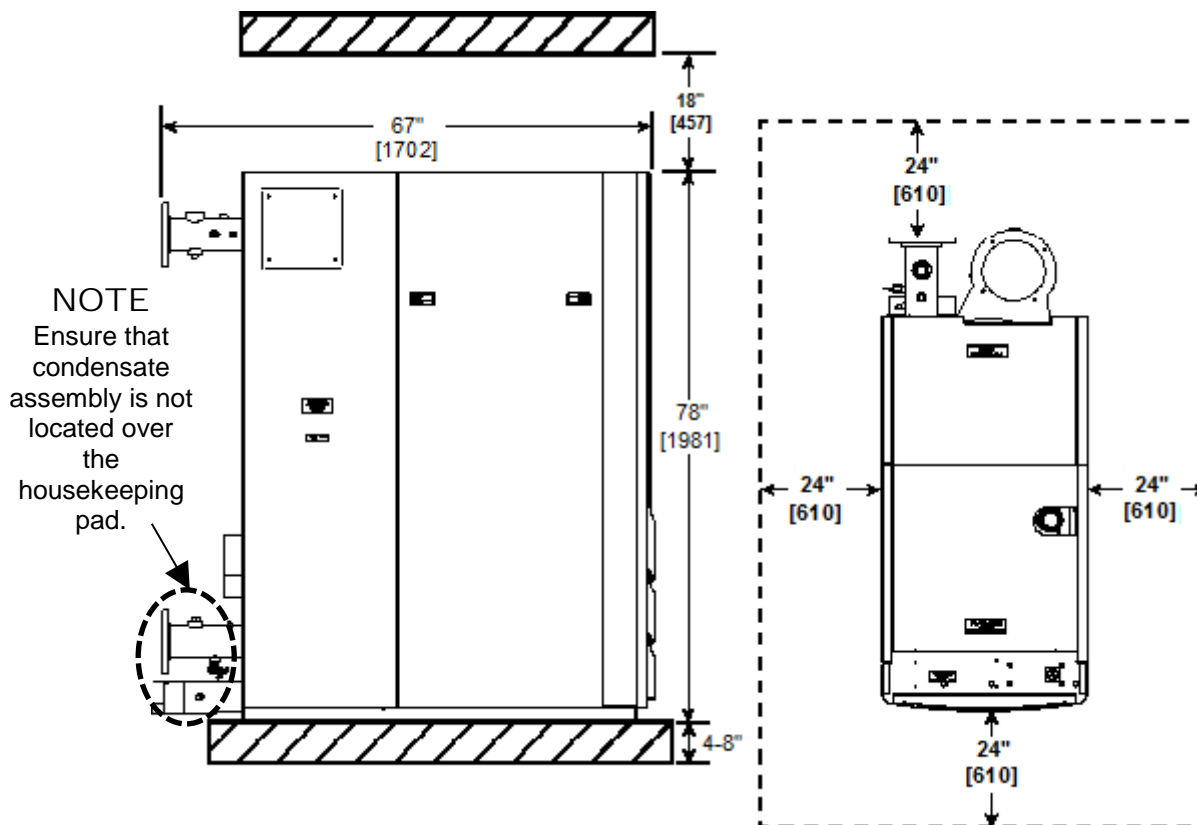


Figure 2-1a: Benchmark Boiler Models 2500 & 3000 Clearances

Benchmark 2500/3000 Dual Fuel & Propane Boilers

CHAPTER 2 – INSTALLATION

WARNING!

Keep the unit area clear and free from all combustible materials and flammable vapors or liquids.

CAUTION

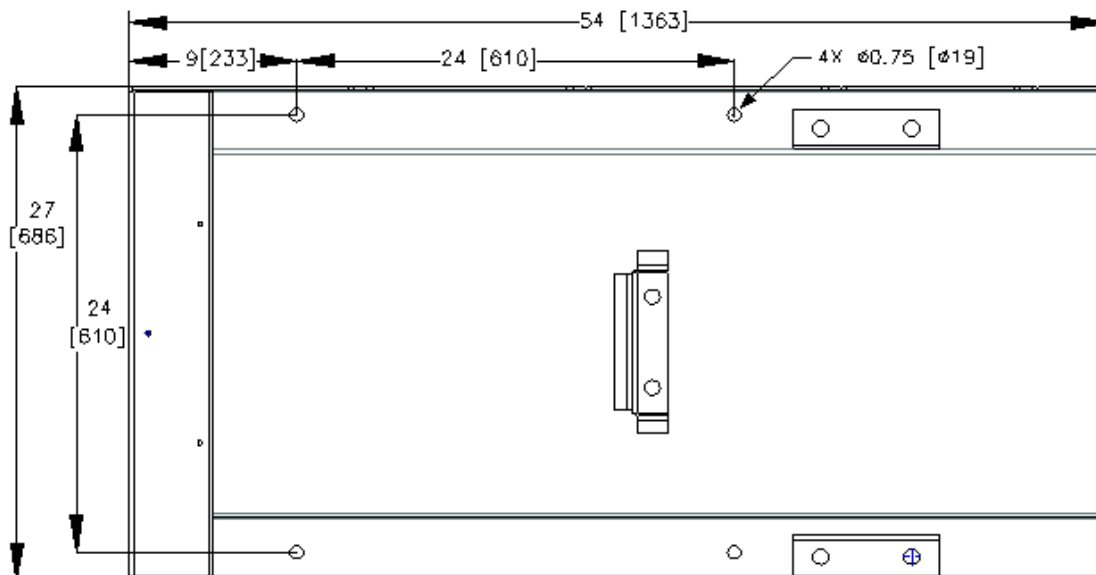
While packaged in the shipping container, the unit must be moved by pallet jack or forklift from the FRONT ONLY.

FOR MASSACHUSETTS ONLY:

For Massachusetts installations, the unit must be installed by a plumber or gas-fitter licensed within the Commonwealth of Massachusetts. In addition, the installation must comply with all requirements specified in Chapter 1 (Safety Precautions), pages 11 and 12.

2.4.2 Setting the Unit

The unit must be installed on a 4 inch to 8 inch concrete housekeeping pad to ensure proper condensate drainage. Ensure that the condensate assembly at the rear of the unit is not positioned above the housekeeping pad during installation so as not to interfere with condensate piping. If anchoring the unit, refer to Figure 2-1b for anchor locations.



NOTES:

- 1) All holes are flush with the bottom surface of the frame
- 2) All dimensions shown are in inches [millimeters]

Figure 2-1b: BMK2500 & BMK3000 Anchor Bolt Locations

A total of 3 lifting lugs are provided at the top of the primary heat exchanger as shown in Figure 2-2. The unit is shipped with the top cover stored inside the shipping enclosure so that the lifting lugs are exposed.

Remove the four (4) lag screws securing the unit to the shipping skid. Lift the unit off the shipping skid and position it on the **4 inch to 8 inch** concrete housekeeping pad (**required**) in the desired location.

WARNING!

When lifting or moving the boiler: do not attempt to manipulate the boiler using the gas train or blower.

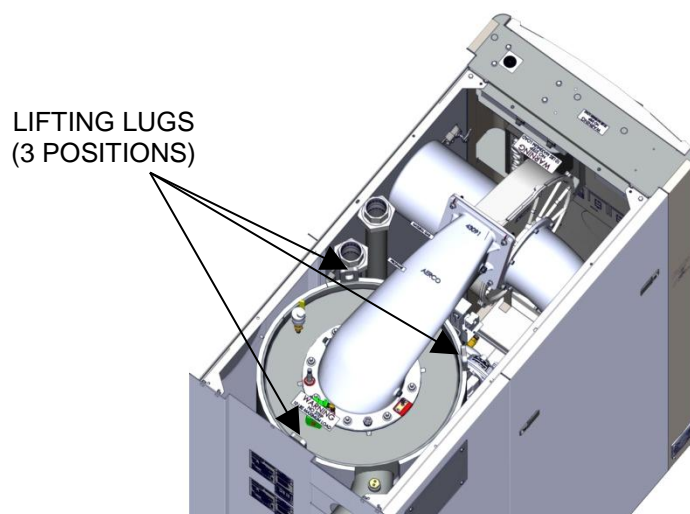


Figure 2-2: Boiler Lifting Provisions

In multiple unit installations, it is important to plan the position of each unit in advance. Sufficient space for piping connections and future service/maintenance requirements must also be taken into consideration. All piping must include ample provisions for expansion.

2.5 SUPPLY AND RETURN PIPING

The Benchmark Boiler utilizes 4" 150# flanges for the water system supply and return piping connections. The physical location of the supply and return piping connections are on the rear of the unit as shown in Figure 2-3.

Benchmark 2500/3000 Dual Fuel & Propane Boilers

CHAPTER 2 – INSTALLATION

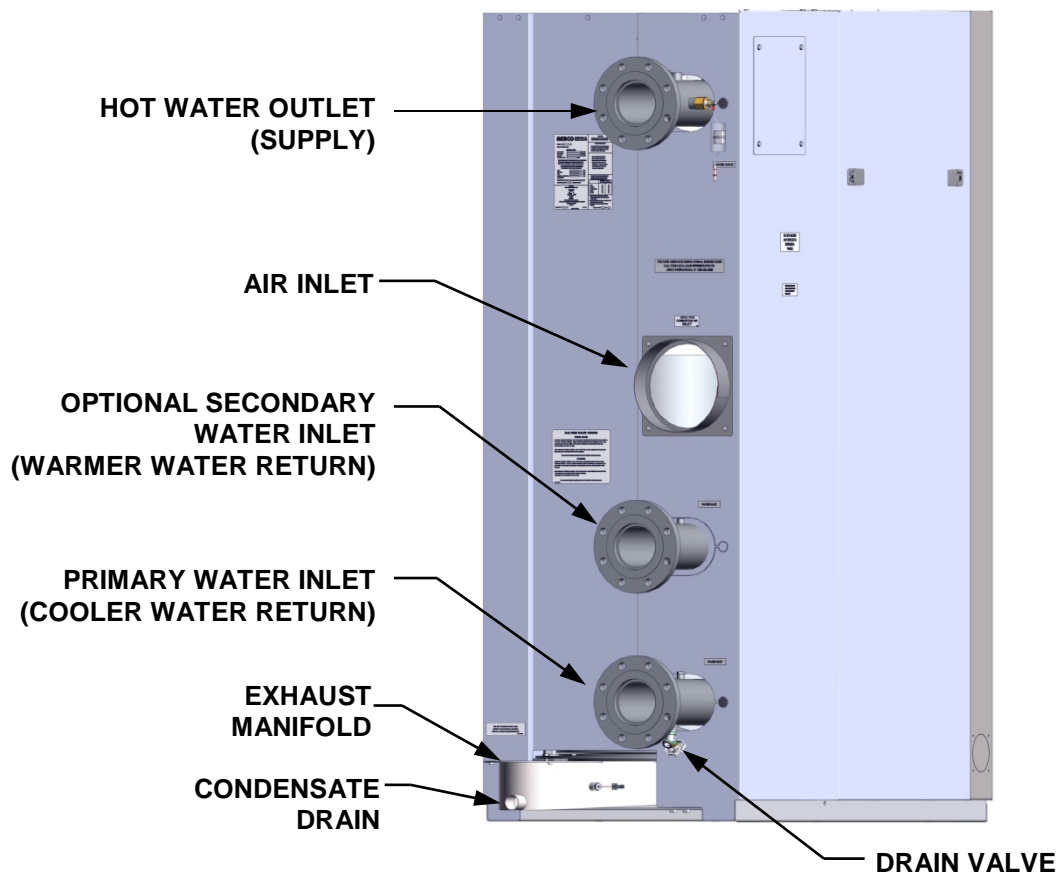


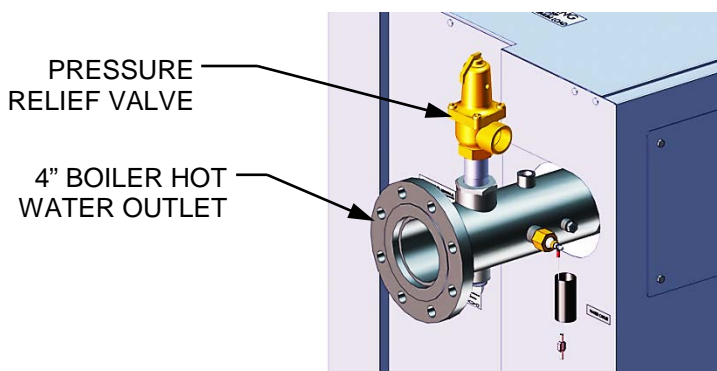
Figure 2-3: Supply and Return Locations

The optional dual inlet connections on the Benchmark 2500 and 3000 allow these units to be configured with a separate cooler return temperature zone, rather than blending high and low return temperature zones. Utilizing the dual return capability of these boilers can take further advantage of the condensing capabilities of these models. When configured with a lower return temperature zone or AERCO SmartPlates, thermal efficiency can improve by up to 10%.

If your unit includes the secondary inlet, pipe the warmer return water to the secondary (upper) inlet and the cooler return water to the primary (lower) inlet. Contact your AERCO representative for additional information.

2.6 PRESSURE RELIEF VALVE INSTALLATION

An ASME rated Pressure Relief Valve is supplied with each Benchmark Boiler. The pressure rating for the relief valve must be specified on the sales order. Available pressure ratings range from 30 psi to 160 psi, depending upon pressure vessel rated pressure. The relief valve is installed on the hot water outlet of the boiler as shown in Figure 2-4. A suitable pipe joint compound should be used on the threaded connections. Any excess should be wiped off to avoid getting any joint compound into the valve body. The relief valve must be piped to **within 12 inches of the floor** to prevent injury in the event of a discharge. No valves, restrictions, or other blockages are allowed in the discharge line. In multiple unit installations the discharge lines must ***not*** be manifolded together. Each must be individually run to a suitable discharge location.



PARTIAL REAR VIEW

Figure 2-4: P&T Relief Valve Location

2.7 CONDENSATE DRAIN & PIPING

The Benchmark Boiler is designed to condense water vapor from the flue products. Therefore, the installation must have provisions for suitable condensate drainage or collection.

The condensate drain port located on the exhaust manifold (Figure 2-5) must be connected to the condensate trap (P/N **24060**) which is packed separately within the unit's shipping container. The condensate trap outlet connection features a tapped 3/4" NPT drain port.

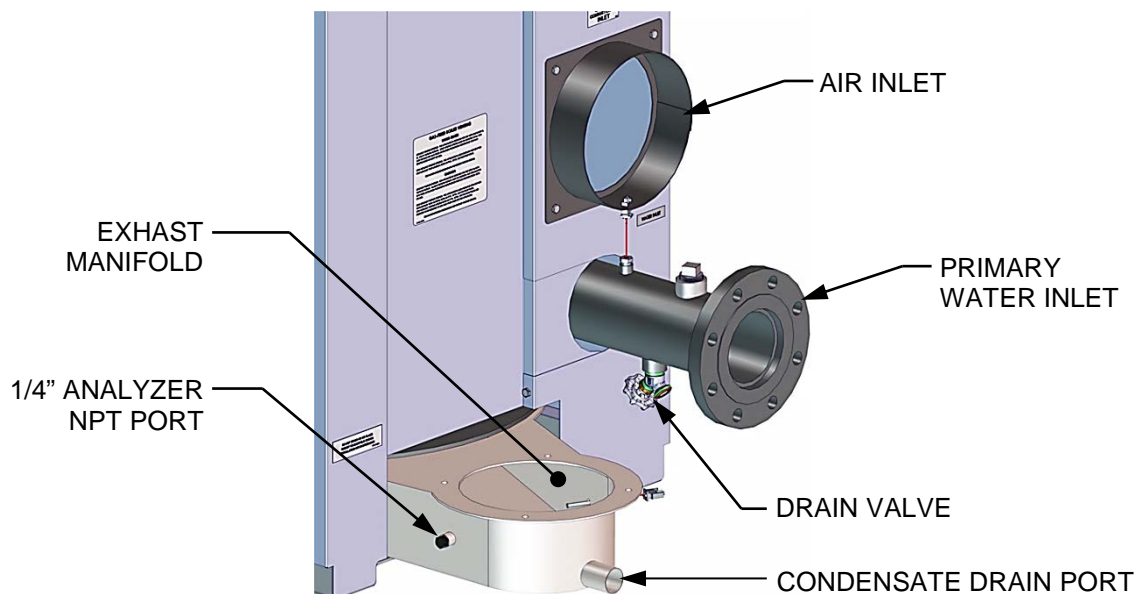


Figure 2-5: Condensate Drain Connection Location

A sample condensate trap installation is shown in Figure 2-6. The following general guidelines must be observed to ensure proper condensate drainage:

1. The condensate trap inlet (Figure 2-6) must be level the exhaust manifold drain port.
2. The base of the condensate trap must be supported to ensure that it is level (horizontal).
3. The trap must be removable for routine maintenance.

While observing the above guidelines, install the condensate trap as follows:

Condensate Trap Installation

1. Connect the condensate trap inlet to the exhaust manifold drain connection by inserting the drain port directly into the trap adaptor inlet, and then tightening the inlet thumbscrew, as shown in Figure 2-6. The inlet features two integral O-rings to prevent leakage.
2. At the condensate trap outlet, install a 3/4" NPT nipple.
3. Connect a length of 1" diameter polypropylene hose to the trap outlet and secure with a hose clamp.
4. Route the hose on the trap outlet to a nearby floor drain.

If a floor drain is not available, a condensate pump can be used to remove the condensate to an appropriate drain location. **The maximum condensate flow rate is 30 GPH.** The condensate drain trap, associated fittings and drain line must be removable for routine maintenance.

WARNING!

Use PVC, stainless steel, aluminum or polypropylene for condensate drain piping (Figure 2-6). DO NOT use carbon or copper components.

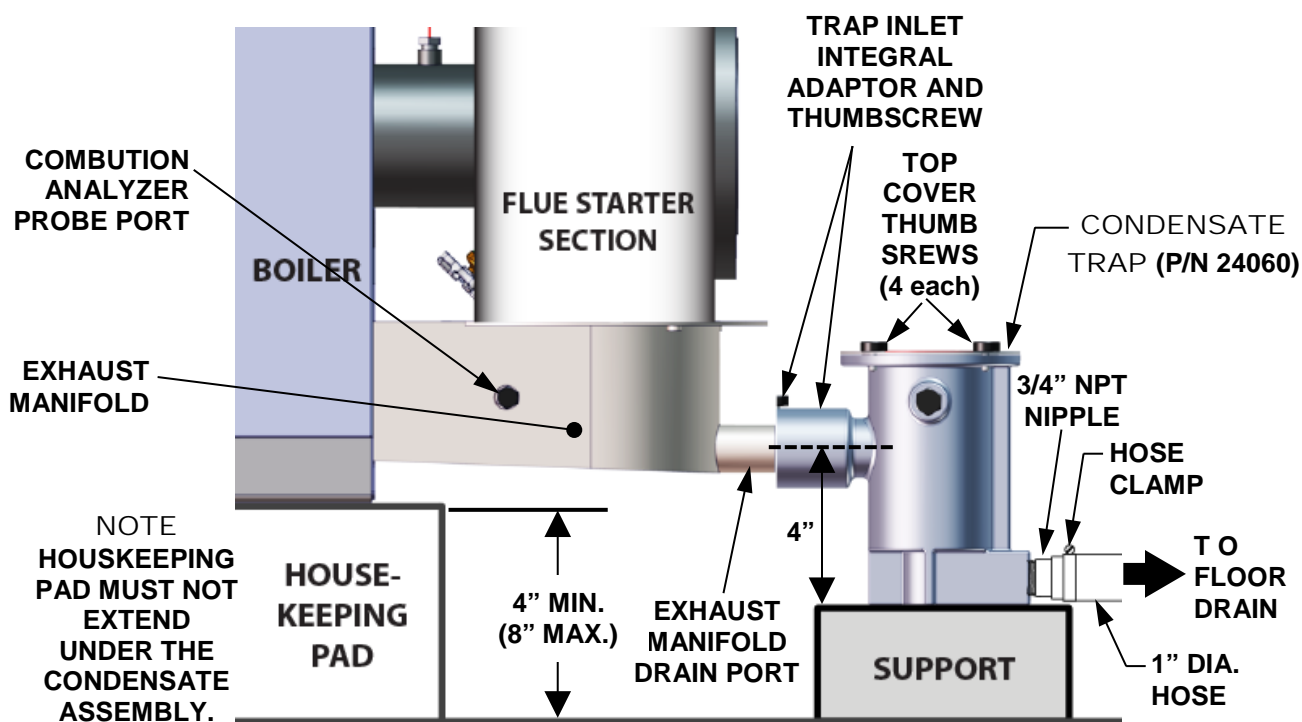


Figure 2-6: Sample Condensate Trap Installation (Right Side View)

2.8 GAS SUPPLY PIPING

The AERCO Benchmark Gas Components and Supply Design Guide, GF-2030 must be consulted prior to designing or installing any gas supply piping.

WARNING!

Never use matches, candles, flames or other sources of ignition to check for gas leaks.

CAUTION

Many of the soaps used for gas pipe leak testing are corrosive to metals. Therefore, piping must be rinsed thoroughly with clean water after leak checks have been completed.

NOTE

All gas piping must be arranged so that it does not interfere with removal of any covers, inhibit service/maintenance, or restrict access between the unit and walls, or another unit.

Benchmark 2500 and 3000 Dual Fuel units contain two 2 inch NPT gas inlet connection, one for Propane Gas and one for Natural Gas, on the top of the unit as shown in Figure 2-3.

In locations that require it, an optional venting pipe is available for those locations that require it, by law or regulation. This venting pipe is shown in Figure 3-3 and similar figures.

Prior to installation, all pipes should be de-burred and internally cleared of any scale, metal chips or other foreign particles. Do not install any flexible connectors or unapproved gas fittings. Piping must be supported from the floor, ceiling or walls only and must not be supported by the unit.

A suitable piping compound, approved for use with natural gas, should be used. Any excess must be wiped off to prevent clogging of components.

To avoid unit damage, when pressure testing gas piping, isolate the unit from the gas supply piping. At no time should the gas pressure applied to the unit exceed **14" W.C.** Leak test all the external piping thoroughly using a soap and water solution or suitable equivalent. The gas piping used must meet all applicable codes.

2.8.1 Gas Supply Specifications

The gas supply input specifications to the unit for Natural Gas and Propane Gas are as follows:

The **maximum** static pressure to the unit must **not exceed 14" W.C.** For both the BMK 3000DF and 2500DF, the gas supply piping and pressure to the unit must be of sufficient capacity to provide **3000 cfh** while maintaining a **minimum gas pressure of 8" W.C.** for Natural Gas, and **minimum of 4" W.C.** for Propane gas.

2.8.2 Manual Gas Shutoff Valve

A manual shut-off valve must be installed on both natural gas and propane gas supply lines upstream of the boiler as shown in Figure 2-7. The **maximum allowable gas pressure** to the boiler is **14" W.C.**

2.8.3 External Gas Supply Regulator

An external gas pressure regulator is required on the gas inlet piping under most conditions (see sections 2.8.3.1 and 2.8.3.2, below). Regulators must conform to the following specifications:

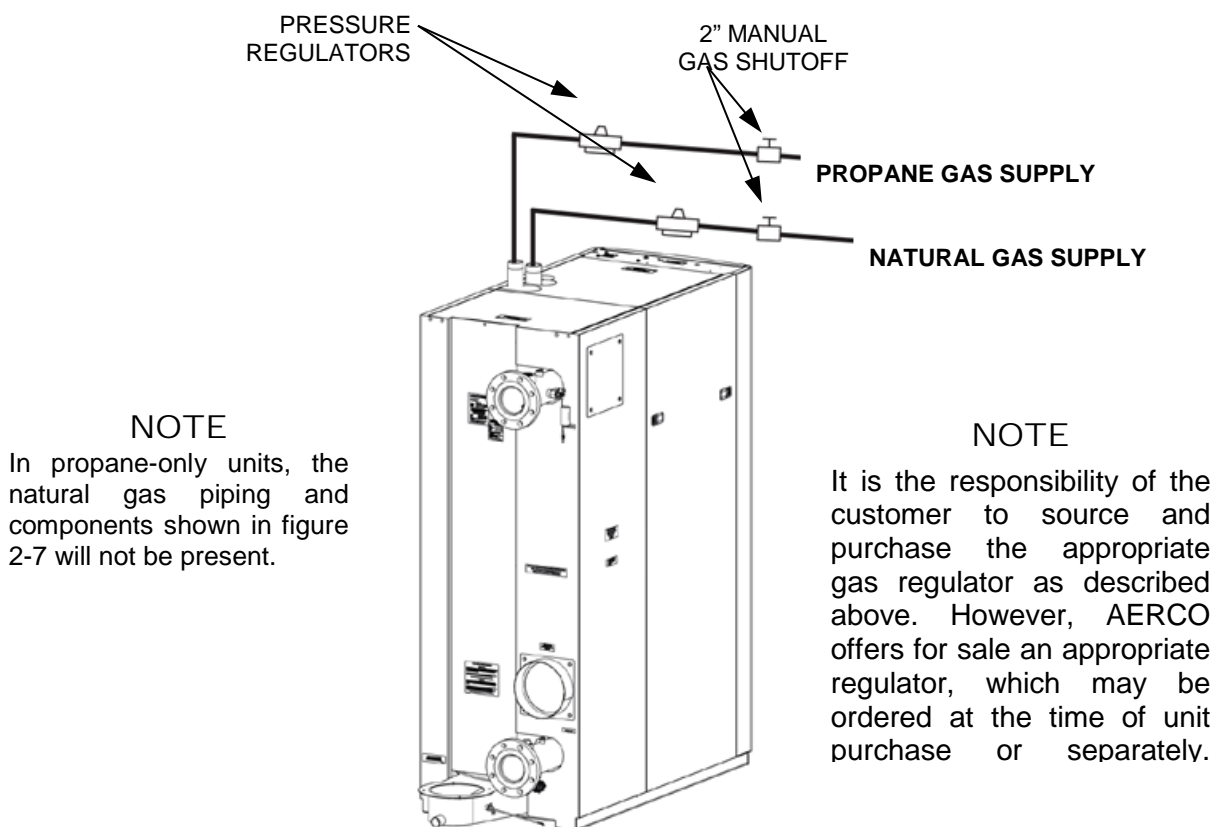
- **NATURAL GAS:** The external natural gas regulator must be capable of regulating 150,000 – 3,180,000 BTU/HR of natural gas while maintaining a gas pressure of **8.0” W.C.** minimum to the unit.
- **PROPANE GAS:** The external propane gas regulator must be capable of regulating 150,000 – 3,180,000 BTU/HR of natural gas while maintaining a gas pressure of **4.0” W.C.** minimum to the unit.
- A lock-up style regulator is **recommended** if the gas supply pressure will exceed **7” W.C.** and is **REQUIRED** if the gas supply pressure will exceed **14” W.C.**

2.8.3.1 Massachusetts Installations Only

For Massachusetts installations, a mandatory external gas supply regulator must be positioned as shown in Figure 2-7. The gas supply regulator must be properly vented to outdoors. Consult the local gas utility for detailed requirements concerning venting of the supply gas regulator.

2.8.3.2 All Installations (Except Massachusetts)

For multi-unit installations (other than Massachusetts) that EXCEED 7” W.C. gas pressure, a separate external gas supply regulator, as shown in Figure 2-7, is highly recommended. No regulator is required for gas pressures below 7” W.C. of pressure. Consult the local gas utility for detailed requirements concerning venting of the supply gas regulator.



NOTE

In propane-only units, the natural gas piping and components shown in figure 2-7 will not be present.

NOTE

It is the responsibility of the customer to source and purchase the appropriate gas regulator as described above. However, AERCO offers for sale an appropriate regulator, which may be ordered at the time of unit purchase or separately.

Figure 2-7: Manual Gas Shut-Off Valve Location

2.9 AC ELECTRICAL POWER WIRING

The AERCO Benchmark Electrical Power Wiring Guide, GF-2060, must be consulted prior to connecting any AC power wiring to the unit. External AC power connections are made to the unit inside the Power Box, which is located on the upper right front of the unit (Figure 2-8). Open the unit front panel to access the Power Box. Loosen the two upper screws of the Power Box cover and remove cover to access the internal connections, as shown in Figure 2-9.

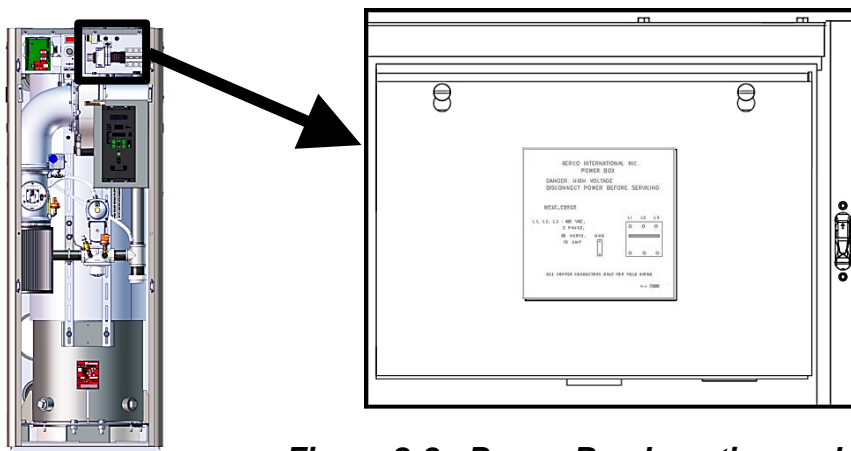


Figure 2-8: Power Box Location and Cover

WARNING!

THE POWER BREAKER SHOWN IN FIGURE 2-9 DOES **NOT** REMOVE POWER FROM THE TERMINAL BLOCKS.

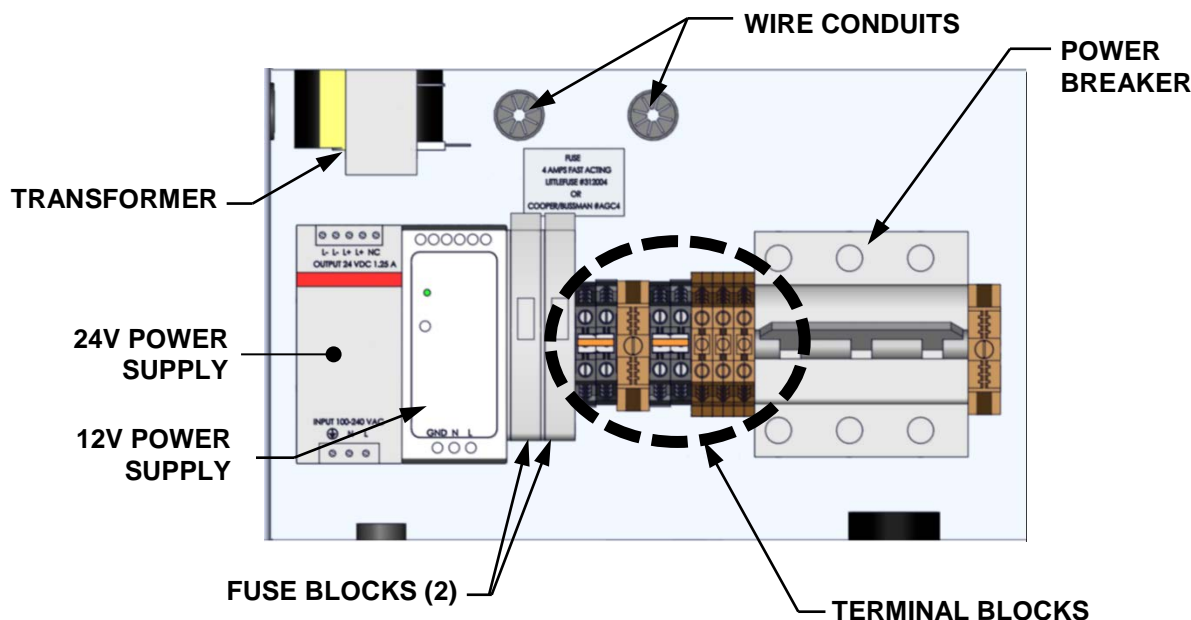


Figure 2-9: Power Box Internal Components (Cover Removed)

With the exception of the transformer shown in Figure 2-9, all of the components in the Power Box are mounted on a DIN rail.

Benchmark 2500/3000 Dual Fuel & Propane Boilers

CHAPTER 2 – INSTALLATION

NOTE

All electrical conduit and hardware must be installed so that it does not interfere with the removal of any unit covers, inhibit service/maintenance, or prevent access between the unit and walls or another unit.

2.9.1 Electrical Power Requirements

Each Benchmark Boiler model is available in two voltage configurations as follows:

- 208-230 VAC, Three-Phase, 60 Hz @ 20 Amps (Full load amperage)
- 460 VAC, Three-Phase, 60 Hz @ 15 Amps (Full load amperage)

The Power Box contains terminal blocks as shown in Figure 2-9. In addition, a label showing the required AC power connections and the amperage rating of the unit is provided on the front cover of the Power Box as shown in Figure 2-10.

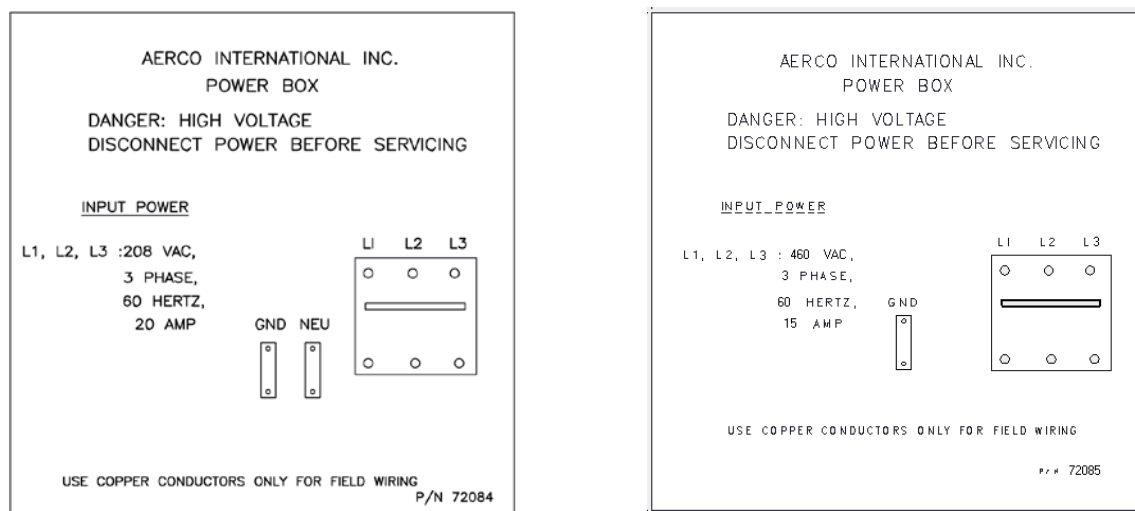


Figure 2-10: Power Box Cover Labels – 208VAC (Left) and 460VAC (Right)

Each unit must be connected to a dedicated electrical circuit. NO OTHER DEVICES SHOULD BE ON THE SAME ELECTRICAL CIRCUIT AS THE BOILER.

A three-pole switch must be installed on the electrical supply line in an easily accessible location to quickly and safely disconnect electrical service. DO NOT attach the switch to sheet metal enclosures of the unit.

After placing the unit in service, the ignition safety shutoff device must be tested. If an external electrical power source is used, the installed boiler must be electrically bonded to ground in accordance with the requirements of the authority having jurisdiction. In the absence of such requirements, the installation shall conform to National Electrical Code (NEC), ANSI/NFPA 70 and/or the Canadian Electrical Code (CEC) Part I, CSA C22.1 Electrical Code.

For electrical power wiring diagrams, see the AERCO Benchmark Electrical Power Guide, (GF-2060).

2.10 FIELD CONTROL WIRING

Each unit is fully wired from the factory with an internal operating control system. No field control wiring is required for normal operation. However, the C-More Control system used with all Benchmark units does allow for some additional control and monitoring features. Wiring connections for these features are made on the Input/Output (I/O) board located behind the removable front panel assembly of the unit. The I/O board is located in the I/O Box, as shown in Figure 2-11. The I/O board terminal strip connections are shown in Figure 2-12. All field wiring is installed from the rear of the panel by routing the wires through one of the four bushings provided on the sides of the I/O board.

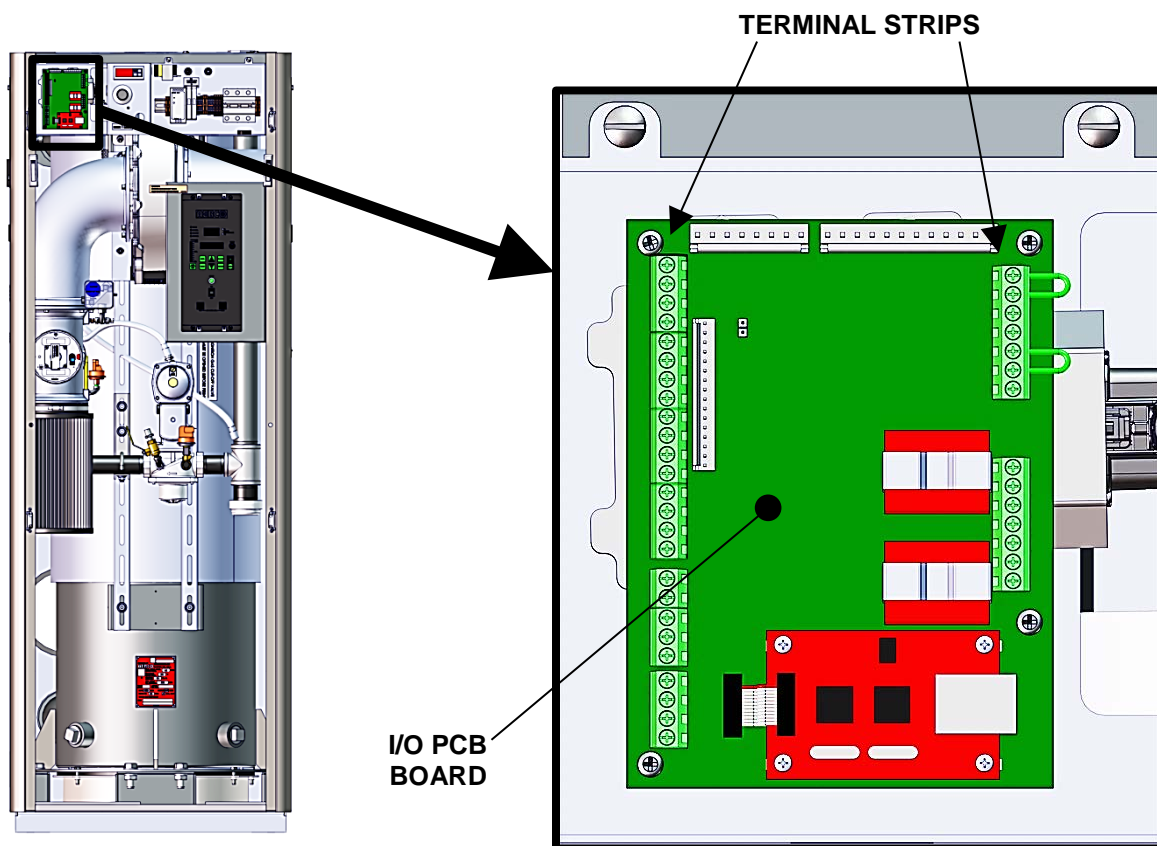


Figure 2-11: Input/Output (I/O) Box Location

NOTE

Use Figure 2-12 to determine the functions of the I/O PCB connections. Do not use the silkscreened labels on the PCB itself, as these may not match the function names.

There is a diagram of the connection functions on the cover of the I/O Box as well.

WARNING!

DO NOT make any connections to the I/O Box terminals labeled "NOT USED". Attempting to do so may cause equipment damage.

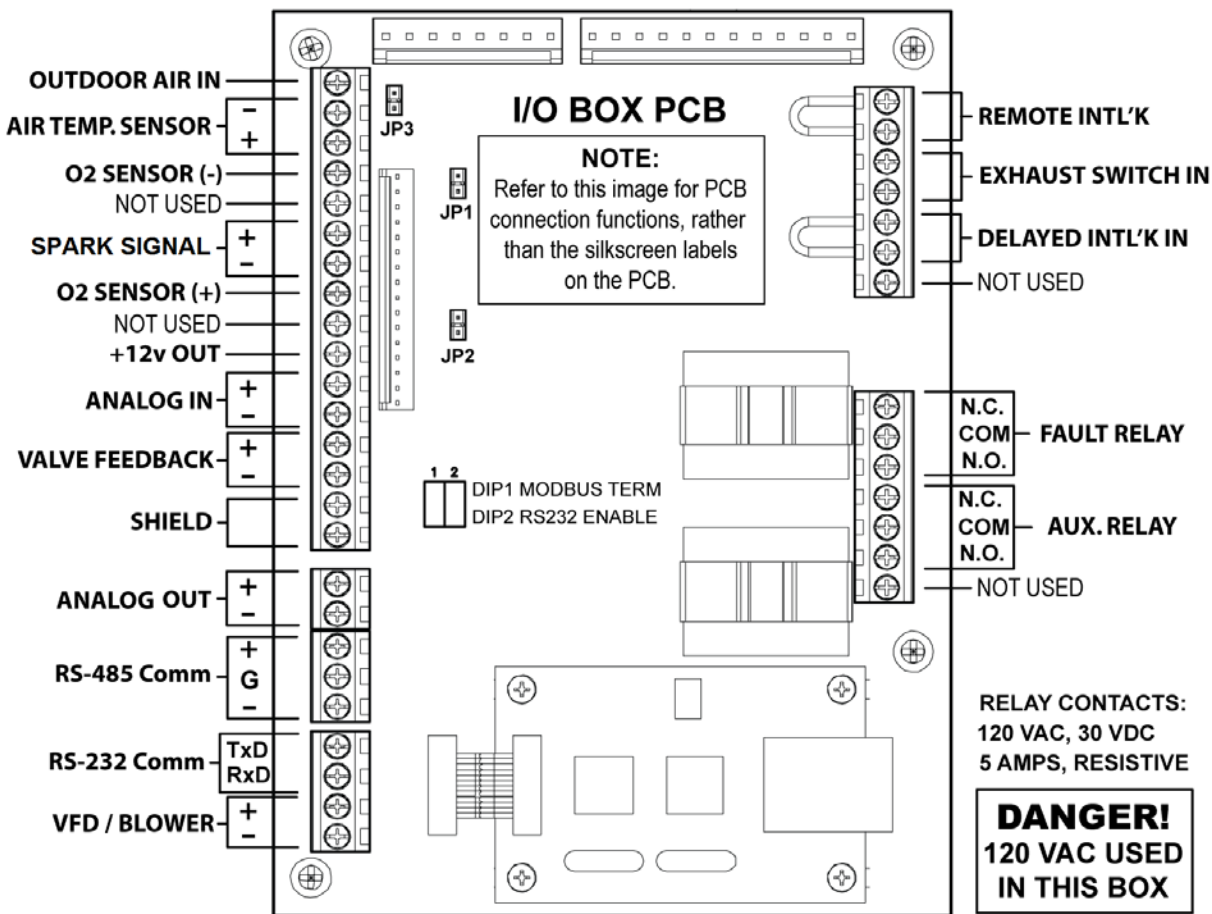


Figure 2-12: I/O Box Terminal Strips

2.10.1 OUTDOOR AIR IN Terminal

The OUTDOOR AIR IN terminal is used for connecting an outdoor temperature sensor (AERCO P/N **GM-123525**) as required primarily for the Indoor/Outdoor reset mode of operation. It can also be used with another mode if it is desired to use the outdoor sensor enable/disable feature. This feature allows the boiler to be enabled or disabled based on the outdoor air temperature.

The factory default for the outdoor sensor is DISABLED. To enable the sensor and/or select an enable/disable outdoor temperature, see the *Configuration* menu in Chapter 3.

The outdoor sensor may be wired **up to 200 feet** from the boiler. It is connected to the OUTDOOR AIR IN and AIR SENSOR COMMON terminals of the I/O PCB (Figure 2-12). Wire the sensor using a twisted shielded pair wire from 18 to 22 AWG. There is no polarity to observe when terminating these wires. The shield is to be connected only to the terminals labeled SHIELD in the I/O Box PCB. The sensor end of the shield must be left free and ungrounded.

When mounting the sensor, it must be located on the North side of the building where an average outside air temperature is expected. The sensor must be shielded from direct sunlight as well as impingement by the elements. If a shield is used, it must allow for free air circulation.

2.10.2 AIR TEMP SENSOR Terminals

The AIR TEMP SENSOR terminals are used to monitor the air inlet temperature sensor (P/N **61024**). This input is always enabled and is a “to view only” input that can be seen in the *Operating* menu. A resistance chart for this sensor is provided in APPENDIX C. This sensor is

Benchmark 2500/3000 Dual Fuel & Propane Boilers

CHAPTER 2 – INSTALLATION

an active part of the combustion control system and must be operational for accurate air/fuel mixing control.

2.10.3 O₂ Sensor Terminals

The O₂ SENSOR (+) and O₂ SENSOR (-) terminals are used to connect an external oxygen sensor to the I/O Box PCB. The O₂ concentration is displayed in the *Operating* menu of the C-More Control system after a 60 second warm-up period.

2.10.4 SPARK SIGNAL Terminals

The SPARK SIGNAL terminals (+ & -) connect to the spark monitor (P/N **61034**, also called "AC Current transducer"), which monitors the current going to the ignition transformer (P/N **65085**, see Section 7-13). If the current is insufficient (too high or low) during the ignition sequence, the controller will abort the ignition cycle. The controller will attempt up to three ignition cycles. If the current is insufficient by the third try, the controller will shut down and display a fault message.

2.10.5 ANALOG IN Terminals

The two ANALOG IN terminals (+ and -) are used when an external signal is used to change the setpoint (Remote Setpoint Mode) of the boiler.

Either a 4 to 20 mA / 1 to 5 VDC or a 0 to 20 mA / 0 to 5 VDC signal may be used to vary the setpoint or air/fuel valve position. The factory default setting is for 4 to 20 mA / 1 to 5 VDC, however this may be changed to 0 to 20 mA / 0 to 5 VDC using the Configuration menu described in Chapter 3.

If voltage rather than current is selected as the drive signal, a DIP switch must be set on the PMC Board located inside the C-More Control Box. Contact the AERCO factory for information on setting DIP switches.

All supplied signals must be floating (ungrounded) signals. Connections between the source and the boiler's I/O PCB (Figure 2-12) must be made using twisted shielded pair of 18–22 AWG wire such as Belden 9841. Polarity must be maintained and the shield must be connected only at the source end and must be left floating (not connected) at the Boiler's I/O PCB.

Whether using voltage or current for the drive signal, they are linearly mapped to a 40°F to 240°F setpoint or a 0% to 100% air/fuel valve position. No scaling for these signals is provided

2.10.6 VALVE FEEDBACK Terminals

The Valve Feedback terminals are used when the Sequencing Isolation Valve Feedback option is selected. The Valve Feedback signal is connected to the "Valve Fdbk" terminals and is used to confirm that the valve has properly opened or closed. If the Valve Feedback signal does not match the Valve-Open or Valve-Close command for the time defined in the "Valve Fdbk timer" entry, the controller will proceed as follows:

- (a) If the valve fails with the Valve Stuck Open fault, the **VALVE STUCK OPEN** message will be displayed and the unit will remain active.
- (b) If the valve fails with the Valve Stuck Closed fault, the **VALVE STUCK CLOSED** message will be displayed and the unit will shut down.

NOTE

If the Valve Feedback option is used, Shorting Jumper #JP2 on the I/O Board MUST be inserted.

2.10.7 SHIELD Terminals

The SHIELD terminals are used to terminate any shields used on sensor wires connected to the unit. Shields must only be connected to these terminals.

2.10.8 ANALOG OUT Terminals

The ANALOG OUT terminals (+ & -) output from 0 to 20 mA and may be used to monitor Setpoint, Outlet Temperature, Valve Position 4-20 mA, Valve Position 0-10v or be set to OFF. Default setting in the C-More controller is Valve Position 0-10v and settings behave as follows:

- When 0-10VDC is selected, the voltage output is used by the controller to modulate the combustion blower via the I/O Box terminals labeled VFD/Blower (Section 2.10.11).
- If On Board Boiler Sequencing Technology (BST) is enabled, the Analog Output terminals are used to drive the isolation valve, open and closed.

NOTE

When driving an isolation valve, shorting jumper #JP2 on the I/O Board *MUST* be installed.

- When the 4-20mA is selected for the Analog Output, the 0-10VDC is disabled at the VFD/Blower terminals, and the selected output is available at the terminals labeled Analog Output +/-.

2.10.9 RS485 Comm Terminals

The RS485 communication terminals (+, GND, & -) are used when the boiler plant is being controlled by an Energy Management System (EMS) or AERCO ACS (formerly BMS/BMS-II) using Modbus (RS485) communication.

2.10.10 RS232 Comm Terminals

As of Firmware version 4.0 and above, these terminals are used only by factory-trained personnel to monitor OnAER communications via a portable computer.

2.10.11 VFD/BLOWER Terminals

These terminals (0-10 & AGND) send an analog signal to control the blower speed. When any of the 4-20mA options is selected for the Analog Outputs (Section 2.10.8), the output from the VFD/Blower terminals is disabled.

2.10.12 Interlock Terminals

The unit offers two interlock circuits for interfacing with Energy Management Systems and auxiliary equipment such as pumps or louvers or other accessories. These interlocks are called the Remote Interlock and Delayed Interlock (REMOTE INTL'K IN and DELAYED INTL'K IN in Figure 2-12). Both interlocks, described below, are factory wired in the closed position (using jumpers).

NOTE

Both the Delayed Interlock and Remote Interlock must be in the closed position for the unit to fire.

2.10.12.1 Remote Interlock In (OUT & IN)

The remote interlock circuit is provided to remotely start (enable) and stop (disable) the unit if desired. The circuit is 24 VAC and comes factory pre-wired closed (jumped).

2.10.12.2 Delayed Interlock In (OUT & IN)

The Delayed Interlock terminals can be used in one of two ways:

- In conjunction with the optional external sequencing valve (see section 2.14 and Chapter 9 – BST), a component of AERCO's on-board Boiler Sequencing Technology (BST) solution. By default a cable of the boiler's wiring harness is connected to these terminals. If BST is implemented, the other end of that cable is connected to the sequencing valve.
- If BST is *NOT* implemented, the second use is typically in conjunction with the AUXILIARY RELAY CONTACTS described in section 2.10.14. This interlock circuit is located in the purge section of the start string. It can be connected to the proving device (end switch, flow switch etc.) of an auxiliary piece of equipment started by the unit's auxiliary relay. If the delayed interlock is connected to a proving device that requires time to close (make), a time delay (AUX START ON DLY) that holds the start sequence of the unit long enough for a proving switch to make (close) can be programmed.

To use this option, you must disconnect the harness from the Delayed Interlock terminals and connect the proving device in its place.

Should the proving switch not prove within the programmed time frame, the unit will shut down. The AUX START ON DLY can be programmed from 0 to 120 seconds. This option is located in the *Configuration* menu (Chapter 3).

2.10.13 Fault Relay (NC, COM, & NO)

The fault relay is a single pole double throw (SPDT) relay having a normally open and normally closed set of relay contacts that are rated for 5 amps at 120 VAC and 5 amps at 30 VDC. The relay energizes when any fault condition occurs and remains energized until the fault is cleared and the **CLEAR** button is depressed. The fault relay connections are shown in Figure 2-12.

2.10.14 Auxiliary Relay Contacts (NC, COM, & NO)

Each unit is equipped with a single pole double throw (SPDT) relay that is energized when there is a demand for heat and de-energized after the demand for heat is satisfied. The relay is provided for the control of auxiliary equipment, such as pumps and louvers, or can be used as a unit status indicator (firing or not firing). Its contacts are rated for 120 VAC @ 5 amps. Refer to Figure 2-12 to locate the AUXILLIARY RELAY terminals for wiring connections.

2.11 FLUE GAS VENT INSTALLATION

AERCO Gas Fired Venting and Combustion Air Guide, GF-2050 must be consulted before any flue or combustion air venting is designed or installed. Suitable, U/L approved, positive pressure, watertight vent materials **MUST** be used for safety and UL certification. Because the unit is capable of discharging low temperature exhaust gases, the flue must be pitched back towards the unit **a minimum of 1/4" per foot** to avoid any condensate pooling and to allow for proper drainage.

While there is a positive flue pressure during operation, the combined pressure drop of vent and combustion air systems **must not exceed 140 equivalent feet or 0.8" W.C.** Fittings as well as pipe lengths must be calculated as part of the equivalent length. For a natural draft installation the draft **must not exceed - 0.25" W.C.** These factors must be planned into the vent installation. If the maximum allowable equivalent lengths of piping are exceeded, the unit will not operate properly or reliably.

For Massachusetts installations, the following companies provide vent systems which conform to all applicable requirements for installations within the Commonwealth of Massachusetts. Contact information is as follows:

Benchmark 2500/3000 Dual Fuel & Propane Boilers

CHAPTER 2 – INSTALLATION

Selkirk Corporation - Heatfab Division

130 Industrial Blvd.
Turners Falls, MA 01376
Phone: 1-800-772-0739
www.heat-fab.com

M. A. Peacard

1250 Massachusetts Ave.
Boston MA 02125-1689
Phone: (617) 288-0629
www.mapeacard.com

Watertown Supply

33Grove St.
Watertown, MA 02472
Phone: (617) 924-2840
<http://www.watertownsupply.com/>

Glover Sheet Metal, Inc.

44 Riverdale Ave.
Newton, MA 02485
Phone: (617) 527-8178
www.gloversheetmetal.com

2.12 COMBUSTION AIR

The AERCO Benchmark Boiler Venting and Combustion Air Guide, GF-2050 MUST be consulted before any flue or inlet air venting is designed or installed. Air supply is a direct requirement of ANSI 223.1, NFPA-54, CSA B149.1 and local codes. These codes should be consulted before a permanent design is determined.

The combustion air must be free of chlorine, halogenated hydrocarbons or other chemicals that can become hazardous when used in gas-fired equipment. Common sources of these compounds are swimming pools, degreasing compounds, plastic processing, and refrigerants. Whenever the environment contains these types of chemicals, combustion air MUST be supplied from a clean area outdoors for the protection and longevity of the equipment and warranty validation.

For combustion air supply from ducting, see section 2.13 below and consult the AERCO GF-2050, Gas Fired Venting and Combustion Air Guide.

When combustion air is provided from within the building, air must be supplied to the unit(s) through two permanent openings. These two openings must have a free area of **not less than one square inch (6.5 cm²) for each 4000 BTUs (1.17 kW) input for each unit**. The free area must take into account restrictions such as louvers and bird screens. For Canada installations, refer to the requirements specified in CSA B149.1-10, sections 8.4.1 and 8.4.3.

2.13 DUCTED COMBUSTION AIR

For ducted combustion air installations, the air ductwork must be attached directly to the air inlet connection on the sheet metal enclosure.

In a ducted combustion air application, the combustion air ducting pressure losses must be taken into account when calculating the total maximum allowable venting run. See the AERCO Benchmark Venting and Combustion Air Guide, GF-2050. When using the boiler in a ducted combustion air configuration, **each unit must have a minimum 8 inch diameter connection at the unit**.

2.14 SEQUENCING VALVE INSTALLATION

All Benchmark units are shipped with a connection for an optional motorized external sequencing isolation valve (P/N **92084-TAB**) included in the shipping container. This valve is an integral component of the AERCO's on-board Boiler Sequencing Technology (BST) solution. BST allows sites with multiple boilers to have one boiler, acting as a "master" to manage the other boilers at the site in such a way that the efficiency of the entire boiler array is maximized.

When operated with the BST system, the Master controls its own isolation valve and sends signals to the slave units to open or close their isolation valves. After the boiler load is satisfied, the isolation valve opens for a programmed interval (default = 1 minute) before closing. When the system load is satisfied, the BST system will open the isolation valves for all of the boilers.

The implementation of BST, and the installation and use of this valve is optional.

The boiler is pre-wired to accept the sequencing isolation valve. Installation consists of installing the sequencing isolation valve in the hot water outlet pipe, and then connecting it into the shell harness, as described below.

Installing the Sequencing Isolation Valve

1. Install the sequencing isolation valve in the boiler's hot water outlet pipe.

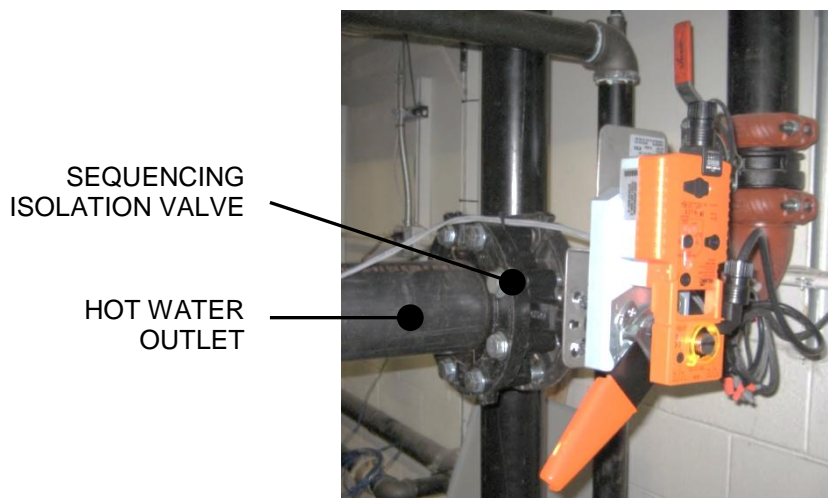


Figure 2-13: Sequencing Isolation Valve Installed

2. The boiler's shell harness has one unused cable. One end of this cable is connected to the DELAYED INTERLOCK IN terminals in the I/O board (see Figure 2-14) while the other end contains a Molex connector with a jumper wire inserted in it (this jumper wire allows units that do not have a sequencing isolation valve to operate normally). Find the free end of this cable inside the unit's enclosure.

Installing the Sequencing Isolation Valve – *Continued*

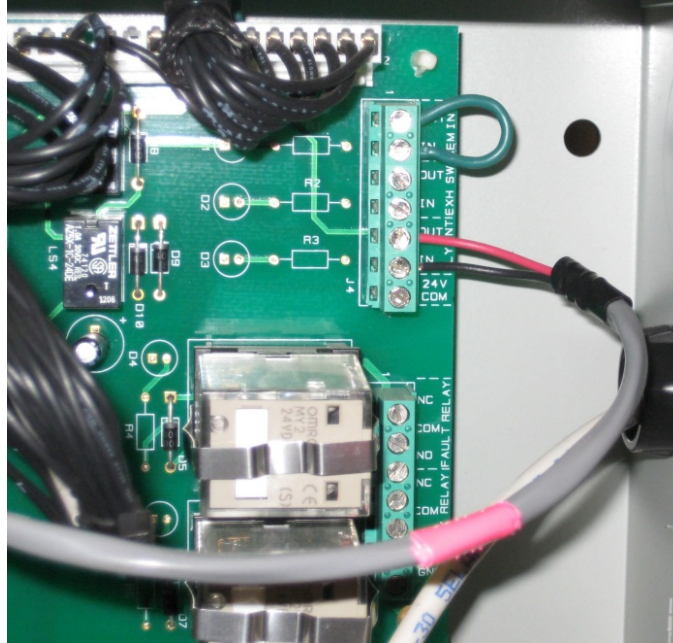


Figure 2-14: Sequencing Isolation Valve Installed

3. Remove the jumper wire from the Molex connector and then plug it into the sequencing isolation valve's connector.

Benchmark 2500/3000 Dual Fuel & Propane Boilers

CHAPTER 2 – INSTALLATION

(This Page Is Intentionally Blank)

CHAPTER 3: OPERATION

3.1 INTRODUCTION

The information in this Chapter provides a guide to the operation of the Benchmark Boiler using the Control Panel mounted on the front of the unit. It is imperative that the initial startup of this unit be performed by factory trained personnel. Operation prior to initial startup by factory trained personnel may void the equipment warranty. In addition, the following WARNINGS and CAUTIONS must be observed at all times.

WARNING!

- Electrical voltages in this system include 575, 208-230 or 460, 120 and 24 volts AC. It must be serviced only by factory certified service technicians.
- Do not attempt to dry fire the unit. Starting the unit without a full water level can seriously damage the unit and may result in injury to personnel or property damage. This situation will void any warranty.

CAUTION

All of the installation procedures in Chapter 2 must be completed before attempting to start the unit.

3.2 CONTROL PANEL DESCRIPTION

All Benchmark Series Boilers utilize the C-More Control Panel shown in Figure 3-1. This panel contains all of the controls, indicators and displays necessary to operate, adjust and troubleshoot the boiler. These operating controls, indicators and displays are listed and described in Table 3-1. Additional information on these items is provided in the individual operating procedures and menu descriptions provided in this Chapter.

Benchmark 2500/3000 Dual Fuel & Propane Boilers

CHAPTER 3 – OPERATION

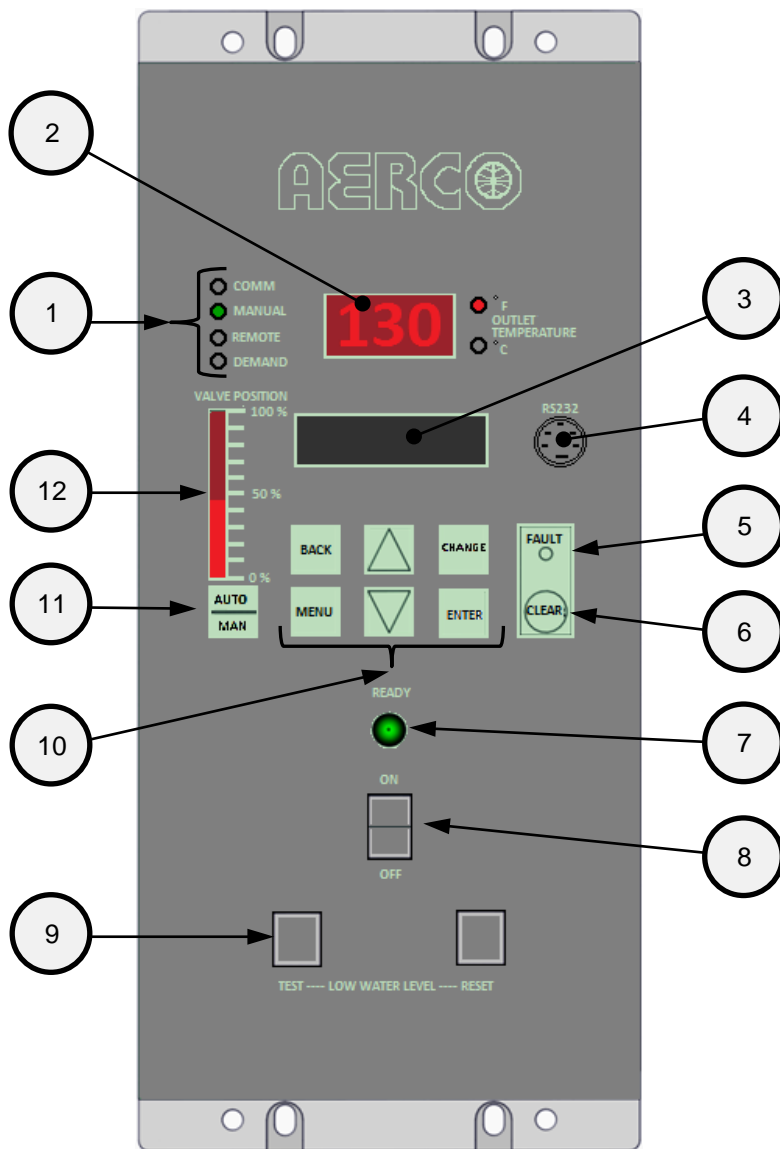


Figure 3-1: Control Panel Front View

Benchmark 2500/3000 Dual Fuel & Propane Boilers

CHAPTER 3 – OPERATION

Table 3-1: Operating Controls, Indicators and Displays

Item	Feature	Function
1	<u>LED Status Indicators</u> Four Status LEDs indicate the current operating status as follows:	
	COMM:	Lights when RS232 communication is occurring – see Item 4
	MANUAL:	Lights when the valve position (fire rate) is being controlled using the front panel keypad. This mode of operation is for service technician use only.
	REMOTE:	Lights when the unit is being controlled by an external signal from an Energy Management System
	DEMAND:	Lights when there is a demand for heat.
2	OUTLET TEMPERATURE Display	3-Digit, 7-Segment LED display continuously displays the outlet water temperature. The °F or °C LED next to the display lights to indicate whether the displayed temperature is in degrees Fahrenheit or degrees Celsius. The °F or °C blinks when operating in the Deadband Mode. On a BST Master, display flashes & shows header temperature.
3	VFD Display	Vacuum Fluorescent Display (VFD) consists of 2 lines each capable of displaying up to 16 alphanumeric characters. The information displayed includes: <ul style="list-style-type: none"> • Startup Messages • Fault Messages • Operating Status Messages • Menu Selection • BST Messages
4	RS232 Port	This port is used only by factory-trained personnel to monitor OnAER communications, in combination with the RS232 Adaptor Cable (P/N 124675).
5	FAULT Indicator	Red FAULT LED indicator lights when a boiler alarm condition occurs. An alarm message will appear in the VFD.
6	CLEAR Key	Turns off the FAULT indicator and clears the alarm message if the alarm is no longer valid. Lockout type alarms will be latched and cannot be cleared by simply pressing this key. Troubleshooting may be required to clear these types of alarms.
7	READY Indicator	Lights ON/OFF switch is set to ON and all Pre-Purge conditions have been satisfied.
8	ON/OFF Switch	Enables and disables boiler operation.
9	LOW WATER LEVEL TEST/RESET Switches	Allows operator to test operation of the water level monitor. Pressing TEST opens the water level probe circuit and simulates a Low Water Level alarm. Pressing RESET resets the water level monitor circuit. Pressing the CLEAR key (item 6) resets the display.

Benchmark 2500/3000 Dual Fuel & Propane Boilers

CHAPTER 3 – OPERATION

Table 3-1: Operating Controls, Indicators and Displays – Continued

Item No.	Control, Indicator or Display	Function
10	<u>MENU Keypad</u> Six (6) keys which provide the following functions for the Control Panel Menus:	
	MENU:	Steps through the main menu categories shown in Figure 3-2. The Menu categories wrap around in the order shown.
	BACK:	Allows you to go back to the previous menu level without changing any information. Continuously pressing this key will bring you back to the default status display in the VFD. Also, this key allows you to go back to the top of a main menu category.
	▲ (UP) Arrow:	When in one of the main menu categories (Figure 3-2), pressing the ▲ arrow key will select the displayed menu category. If the CHANGE key was pressed and the menu item is flashing, pressing the ▲ arrow key will increment the selected setting.
	▼ (DOWN) Arrow:	When in one of the main menu categories (Figure 3-2), pressing this key will select the displayed menu category. If the CHANGE key was pressed and the menu item is flashing, pressing the ▼ arrow key will decrement the selected setting.
	CHANGE:	Permits a setting to be changed (edited). When the CHANGE key is pressed, the displayed menu item will begin to flash. Pressing the ▲ or ▼ arrow key when the item is flashing will increment or decrement the displayed setting.
	ENTER:	Saves the modified menu settings in memory. The display will stop flashing.
11	AUTO/MAN Switch	This switch toggles the boiler between the AUTOMATIC and MANUAL modes of operation. When in the MANUAL (MAN) mode, the front panel controls are enabled and the MANUAL status LED lights. Manual operation is for service only. When in the AUTOMATIC (AUTO) mode, the MANUAL status LED will be off and the front panel controls disabled.
12	VALVE POSITION Bargraph	20 segment red LED bargraph continuously shows the Air/Fuel Valve position in 5% increments from 0 to 100%.

3.3 CONTROL PANEL MENUS

The Control Panel incorporates an extensive menu structure which permits the operator to set up, and configure the unit. The menu structure consists of five major menu categories which are applicable to this manual. These categories are shown in Figure 3-2. Each of the menus shown, contain options which permit operating parameters to be viewed or changed. The menus are protected by a password levels to prevent unauthorized use.

Prior to entering the correct password, the options contained in the *Operation*, *Setup*, *Configuration* and *Tuning* menu categories can be viewed. However, with the exception of Internal Setpoint Temperature (*Configuration* menu), none of the viewable menu options can be changed.

Once the valid level 1 password (159) is entered, the options listed in the *Setup*, *Configuration* and *Tuning* menus can be viewed and changed, if desired. The *Combustion Cal* menu is protected by the level 2 password (6817) which is used in Chapter 4 to perform combustion calibration prior to service use.

3.3.1 Menu Processing Procedure

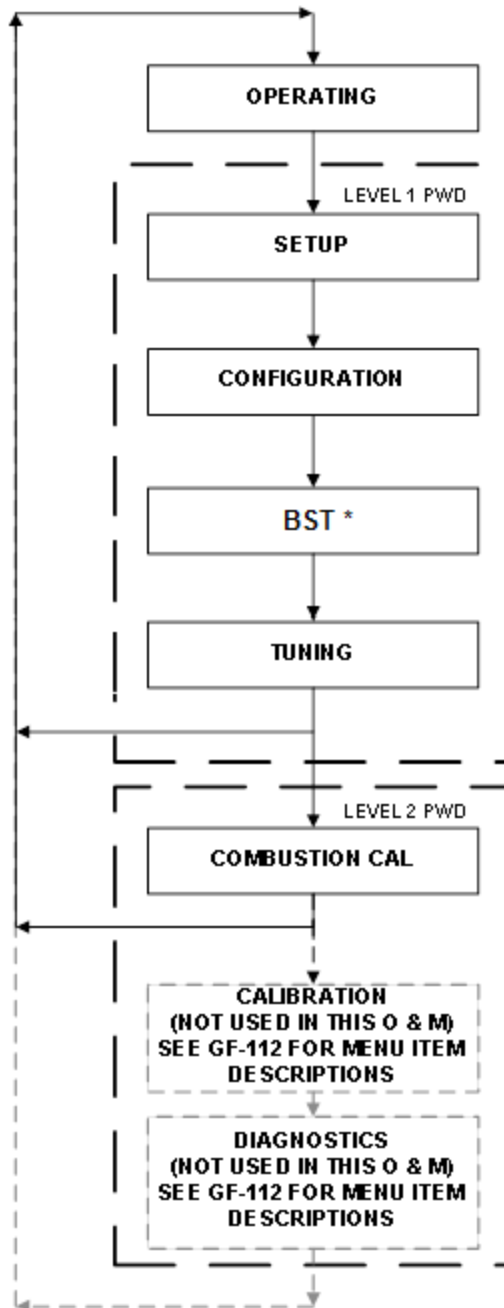
Accessing and initiating each menu and option is accomplished using the Menu Keys shown in Figure 3-1. Therefore, it is imperative that you be thoroughly familiar with the following basic steps before attempting to perform specific menu procedures:

Menu Processing Procedure

1. The Control Panel will normally be in the *Operating* menu and the VFD will display the current unit status. Pressing the ▲ or ▼ arrow key will display the other available data items in the *Operating* menu.
2. Press the **MENU** key. The display will show the Setup menu, which is the next menu category shown in Figure 3-2. This menu contains the Password option which must be entered if other menu options will be changed.
3. Continue pressing the **MENU** key until the desired menu is displayed.
4. With the desired menu displayed, press the ▲ or ▼ arrow key. The first option in the selected menu will be displayed.
5. Continue to press the ▲ or ▼ arrow key until the desired menu option is displayed. Pressing the ▲ arrow key will display the available menu options in the Top-Down sequence. Pressing the ▼ arrow key will display the options in the Bottom-Up sequence. The menu options will wrap-around after the first or last available option is reached.
6. To change the value or setting of a displayed menu option, press the **CHANGE** key. The displayed option will begin to flash. Press the ▲ or ▼ arrow key to scroll through the available menu option choices for the option to be changed. The menu option choices do not wrap around.
7. To select and store a changed menu item, press the **ENTER** key.

Benchmark 2500/3000 Dual Fuel & Propane Boilers

CHAPTER 3 – OPERATION



* Only if BST is enabled (see Chapter 9)

Figure 3-2: Menu Structure

NOTE

The following sections provide brief descriptions of the options contained in each menu. Refer to Appendix A for detailed descriptions of each menu option. Refer to Appendix B for listings and descriptions of displayed startup, status and error messages.

Benchmark 2500/3000 Dual Fuel & Propane Boilers

CHAPTER 3 – OPERATION

3.4 OPERATING MENU

The *Operating* menu displays a number of key operating parameters for the unit as listed in Table 3-2. This menu is “Read-Only” and does not allow personnel to change or adjust any displayed items. Since this menu is “Read-Only”, it can be viewed at any time without entering a password. Pressing the ▲ arrow key to display the menu items in the order listed (Top-Down). Pressing the ▼ arrow key will display the menu items in reverse order (Bottom-Up).

Table 3-2: Operating Menu

Menu Item Display		Available Choices or Limits	
		Minimum	Maximum
1	Active Setpoint	40°F	240°F
2	Inlet Temp	40°F	140°F
3	Air Temp	-70°F	245°F
4	* Outdoor Temp	-70°F	130°F
5	Valve Position In	0%	100%
6	* Valve Position Out	0%	100%
7	Exhaust Temp	°F	°F
8	Flame Strength	0%	100%
9	Oxygen Level	0%	21%
10	Ignition Time	0.00	10.00
11	SSOV Time to OPN	0.00	10.00
12	Spark Current	0	2.5 A
13	Run Cycles	0	999,999,999
14	Run Hours	0	999,999,999
15	Fault Log	0	19

***NOTE**

The Outdoor Temp and Valve Position Out display items shown with an asterisk in Table 3-2 will not be displayed unless the Outdoor Sensor function has been enabled in the *Configuration* menu (Table 3-4).

Benchmark 2500/3000 Dual Fuel & Propane Boilers

CHAPTER 3 – OPERATION

3.5 SETUP MENU

The *Setup* menu (Table 3-3) permits the operator to enter the unit password (159) which is required to change the menu options. To prevent unauthorized use, the password will time-out after 1 hour. Therefore, the correct password must be reentered when required. In addition to permitting password entries, the *Setup* menu is also used to enter date and time, and units of temperature measurements. A view-only software version display is also provided to indicate the current Control Box software version.

Table 3-3: Setup Menu

Menu Item Display		Available Choices or Limits		Default
		Minimum	Maximum	
1	Password	0	9999	0
2	Language	English		English
3	Time	12:00 am	11:59 pm	
4	Date	01/01/00	12/31/99	
5	Unit of Temp	Fahrenheit or Celsius		Fahrenheit
6	Comm Address	0	127	0
7	Baud Rate	2400, 4800, 9600, 19.2K		9600
8	OnAER Mode	Ethernet or SD Card		Ethernet
9	Min Upload Timer	0	9,999 Sec	0
10	Unit Alpha	E, G, H, R, N or A		A
11	Unit Year	0	99	0
12	Unit Serial #	0	9999	0
13	Software	Ver 0.00	Ver 9.99	Current software version

3.6 CONFIGURATION MENU

The *Configuration* menu shown in Table 3-4 permits adjustment of the Internal Setpoint (Setpt) temperature regardless of whether the valid password has been entered. Setpt is required for operation in the Constant Setpoint mode. The remaining options in this menu require the valid password to be entered, prior to changing existing entries. This menu contains a number of other configuration settings which may or may not be displayed, depending on the current operating mode setting.

NOTE

The *Configuration* menu settings shown in Table 3-4 are Factory-Set in accordance with the requirements specified for each individual order. Therefore, under normal operating conditions, no changes will be required.

Benchmark 2500/3000 Dual Fuel & Propane Boilers

CHAPTER 3 – OPERATION

Table 3-4: Configuration Menu

Menu Item Display		Available Choices or Limits		Default
		Minimum	Maximum	
1	Internal Setpt	Lo Temp Limit	Hi Temp Limit	130°F
2	Unit Type	KC Boiler, KC Boiler LN, BMK Blr Std, BMK Blr Std Dual, BMK Blr LN, BMK Blr LN Dual, KC Water Heater, KC Water Heater LN, RECON Wtr Heater, Innovation WH		BMK Boiler LN
3	Unit Size (Only the unit sizes available for the Unit Type will be displayed)	750 MBH, 1000 MBH, 1500 MBH, 2000 MBH, 2500 MBH, 3000 MBH, 6000 MBH		2500 MBH <u>or</u> 3000 MBH
4	Fuel Type	Natural Gas or Propane		Natural Gas <u>or</u> Propane
5	Boiler Mode	Constant Setpoint, Remote Setpoint, Direct Drive, Combination, Outdoor Reset		Constant Setpoint
6	Remote Signal (If Mode = Remote Setpoint, Direct Drive or Combination)	4 – 20 mA/1 – 5V 0 -20 mA/0 – 5V PWM Input (Legacy BMS), Network		4 – 20 mA, 1-5V
7	* Bldg Ref Temp (If Mode = Outdoor Reset)	40°F	230°F	70°F
8	* Reset Ratio (If Mode = Outdoor Reset)	0.1	9.9	1.2
9	Outdoor Sensor	Enabled or Disabled		Disabled
10	* System Start Tmp (If Outdoor Sensor = Enabled)	30°F	100°F	60°F
11	Setpt Lo Limit	40°F	Setpt Hi Limit	60°F
12	Setpt Hi Limit	Setpt Lo Limit	210°F	195°F
13	Temp Hi Limit	40°F	210°F	195°F
14	Max Valve Position	40%	100%	100%
15	Pump Delay Timer	0 min.	30 min.	0 min.
16	Aux Start On Dly	0 sec.	120 sec.	0 sec.
17	Failsafe Mode	Shutdown or Constant Setpt		Shutdown
18	Analog Output	Off, Setpoint, Outlet Temp, Valve Pos 4-20mA, valve Pos 0-10v		Valve Pos 0-10v
19	Low Fire Timer	2 sec.	600 sec.	2 sec.

Benchmark 2500/3000 Dual Fuel & Propane Boilers

CHAPTER 3 – OPERATION

Table 3-4: Configuration Menu

Menu Item Display		Available Choices or Limits		Default
		Minimum	Maximum	
20	Setpt Limiting	Enabled or Disabled		Disabled
21	Setpt Limit Band	0°F	10°F	5°F
22	Network Timeout	5 sec.	999 sec.	30 sec.
23	Shutoff Dly Temp	0	25	10
24	Demand Offset	0	25	0
25	Deadband High	0	25	5
26	Deadband Low	0	25	5
27	IGST Version	V2.00 or Lower		V2.02
28	IGN Time Setting	4 sec.	7 sec.	
29	Slow Shutdown	Enabled or Disabled		Disabled
30	Slow Sht Duration	0 sec.	9,999 sec.	60 sec.
31	Slow Sht Threshold	40%	100%	60%
32	BST Menu	Enabled or Disabled		Disabled

3.7 TUNING MENU

The *Tuning* menu items in Table 3-5 are Factory set for each individual unit. Do not change these menu entries unless specifically requested to do so by Factory-Trained personnel.

Table 3-5: Tuning Menu

Menu Item Display		Available Choices or Limits		Default
		Minimum	Maximum	
1	Prop Band	1°F	120°F	70°F
2	Integral Gain	0.00	2.00	1.00
3	Derivative Time	0.0 min	2.00 min	0.0 min
4	Warmup Prop Band	1 °F	120 °F	95 °F
5	Warmup Int Gain	.00	2.00	0.50
6	Warmup PID timer	0 sec.	240 sec.	20 sec.
7	Reset Defaults?	Yes, No, Are You Sure?		No

3.8 COMBUSTION CAL MENU

The *Combustion Cal* (Calibration) menu is protected by the level 2 password (6817) which must be entered to view or change the menu items shown in Table 3-6. These menu items are used to vary the speed of the unit's blower motor based on air temperature and air density at prescribed Air/Fuel Valve positions (% open). This is accomplished by providing a DC drive voltage to the motor which adjusts the rotational speed of the blower to maximize combustion

Benchmark 2500/3000 Dual Fuel & Propane Boilers

CHAPTER 3 – OPERATION

efficiency and ensure the unit conforms to the Nitrogen Oxide (NOx) and Carbon Monoxide (CO) emissions specified in Chapter 4. The valve positions (%) and default drive voltages are listed in Table 3-6.

**Table 3-6: Combustion Cal Menu for Natural Gas and Propane Gas
BMK3000 Boiler Cal Menu**

Natural Gas			Propane Gas		
Menu Item Display		Default	Menu Item Display		Default
1	CAL Voltage 14%	2.40	1	CAL Voltage 18%	2.30
2	CAL Voltage 30%	5.40	2	CAL Voltage 30%	4.40
3	CAL Voltage 45%	6.60	3	CAL Voltage 45%	5.40
4	CAL Voltage 65%	7.00	4	CAL Voltage 65%	5.70
5	CAL Voltage 85%	8.00	5	CAL Voltage 85%	7.00
6	CAL Voltage 100%	8.7	6	CAL Voltage 100%	8.60
7	SET Valve Position	Variable	7	SET Valve Position	Variable
8	Monitor Blower Output Voltage		8	Monitor Blower Output Voltage	
9	Set Stdby Volt	0.0 V	9	Set Stdby Volt	0.0 V
10	Oxygen Level	Variable	10	Oxygen Level	Variable

BMK2500 Boiler Combustion Cal Menu

Natural Gas			Propane Gas		
Menu Item Display		Default	Menu Item Display		Default
1	CAL Voltage 16%	2.15	1	CAL Voltage 18%	2.00
2	CAL Voltage 20%	2.10	2	CAL Voltage 22%	2.00
3	CAL Voltage 30%	3.85	3	CAL Voltage 30%	3.30
4	CAL Voltage 45%	5.60	4	CAL Voltage 45%	4.60
5	CAL Voltage 70%	6.60	5	CAL Voltage 70%	5.60
6	CAL Voltage 100%	8.50	6	CAL Voltage 100%	7.90
7	SET Valve Position	Variable	7	SET Valve Position	Variable
8	Monitor Blower Output Voltage		8	Monitor Blower Output Voltage	
9	Set Stdby Volt	0.0 V	9	Set Stdby Volt	0.0 V
10	Oxygen Level	Variable	10	Oxygen Level	Variable

Benchmark 2500/3000 Dual Fuel & Propane Boilers

CHAPTER 3 – OPERATION

3.9 BST (Boiler Sequencing Technology) Menu

The BST Menu must be Enabled in order to be displayed and accessed. The BST Enable item is located at the end of the *Configuration* menu.

The Boiler Sequencing Technology (BST) Menu contains all of the items required to Configure, Operate and Monitor the functionality of the BST System. There are over 50 items in this menu, and selecting any particular item from the list, for inspection or modification, could be time consuming. As a result, the BST Menu has been segmented into FIVE logical groups based on functionality.

The five Item groups are:

1. **BST Monitor Items**
2. ***BST SETUP MENU***
3. ***OPERATE MENU***
4. ***TEMP CTRL MENU***
5. ***BST COMM MENU***

These displayed item groups are displayed in UPPER CASE letters, and are bounded by an asterisk * in order to readily identify them within the item list.

The Items contained in group 1 (BST Monitor Items) are ALWAYS displayed within the menu, as these items are critical for proper system operation. Therefore, the BST Monitor Items Header itself is NOT displayed.

The Items contained in groups 2-5 are NOT DISPLAYED unless that particular item group has been enabled from the C-More keypad.

Table 3-7: BST Menu

Menu Item Display		Available Choices or Limits			Default
		Minimum	Maximum		
1	BST Mode	Off	BST Slave	BST Master	Off
2	BST Setpoint	BST Setpt Lo Limit		BST Setpt Hi Limit	130°F
3	Header Temp	NA			Header Temp (°F)
4	BST Fire Rate	0	100%		Fire rate %
5	BST Ave Fire Rate	0	100%		Avg Fire Rate %
6	BST Outdoor Temp	NA			Outdoor Temp (°F)
7	Units Available	0	8		Units Present
8	Units Ignited	0	8		Units firing
9	BST Valve State	0 (CLOSED)	1 (OPEN)		0
10	1 Comm Errors 8	0	9		0
11	1 BST Units 8	0 (see table)	0 (see table)		0
12	*BST SETUP MENU*	Disabled		Enabled	Disabled
13	BST Setpoint Mode	Constant Setpoint	Remote Setpoint	Outdoor Reset	Constant Setpt
14	Head Temp Source	Network		FFWD Temp	FFWD Temp
15	Header Temp Addr	0	255		240
16	Header Temp Point	0	255		14

Benchmark 2500/3000 Dual Fuel & Propane Boilers

CHAPTER 3 – OPERATION

Table 3-7: BST Menu

Menu Item Display		Available Choices or Limits			Default
		Minimum	Maximum		
17	BST Outdoor Sens	Disabled	Enabled		Disabled
18	Outdr Tmp Source	Outdoor Temp	Network		Outdoor Temp
19	Outdoor Tmp Addr	0	255		240
20	Outdoor Tmp Pnt	0	255		215
21	BST Remote Signal	4-20 mA/1-5 Vdc;	0-20 mA/0-5 Vdc;	Network	Network
22	BST Auto Mstr	No	Yes NOTE! A Modbus temperature transmitter must be installed in conjunction with this feature.		No
23	BST Auto Timer	10 sec	120 sec		30 sec
24	Remote Intlk Use	Boiler Shutdown	System Shutdown		System Shutdown
25	One Boiler Mode	Off	On-Outlet Temp	On-Avg Temp	Off
26	1 Blr Threshold	10	35		25
27	Setpoint Setback	Disable	Enable		Disable
28	Setback Setpoint	BST Setpt Lo Limit	BST Setpt HI Limit		130°F
29	Setback Start	12:00am	11:59pm		12.00am
30	Setback End	12:00am	11:59pm		12.00am
31	Rate Threshold	1°F	30°F		15°F
32 *BST OPERATE MENU*					
		Disabled	Enabled		Disabled
33	BST Next On VP	16%	100%		50%
34	BST Max Boilers	1	8		8
35	BST On Delay	30 sec	300 sec		60 sec
36	BST On Timeout	15 sec	300 sec		60 Sec
37	Valve Override	Off	Closed	Open	Off
38	Valve Off Delay	0	15 min		1 min
39	BST Sequencing	Run Hours	Unit Size	Select Lead	Run Hours
40	Select Lead Unit	0	127		0
41	Select Lag Unit	0	127		0
42	Lead/Lag Hours	25 hours	225 hours		72 hours
43 *BST TEMP CTRL MENU*					
		Disabled	Enabled		Disabled
44	BST Temp Hi Limit	40°F	210°F		210°F
45	BST Setpt Lo Limit	40°F	BST Setpt HI Limit		60°F
46	BST Setpt HI Limit	BST Setpt Lo Limit	220°F		195°F
47	BST Prop Band	1°F	120°F		100°F
48	BST Intgral Gain	0.00	2.00		0.50
49	BST Deriv Time	0.00 Min	2.00 Min		0.10 Min
50	BST Deadband Hi	0	25		1

Benchmark 2500/3000 Dual Fuel & Propane Boilers

CHAPTER 3 – OPERATION

Table 3-7: BST Menu

Menu Item Display		Available Choices or Limits		Default
		Minimum	Maximum	
51	BST Deadband Lo	0	25	1
52	Deadband En Time	0	120 Sec	30 Sec
53	BST FR Up Rate	1	120	20
54	BST Bldg Ref Tmp	40°F	230°F	70°F
55	BST Reset Ratio	0.1	9.9	1.2
56	System Start Tmp	30°F	120°F	60°F
57	*BST COMM MENU*	Disabled	Enabled	Disabled
58	Comm Address	0	127	0
59	BST Min Addr	1	128	1
60	BST Max Addr	1	128	8
61	SSD Address	0	250	247
62	SSD Poll Control	0	1000	0
63	Err Threshold	1	9	5
64	SSD Temp Format	Degrees	Points	Degrees
65	BST Upld Timer	0	9999 sec	0

3.10 START SEQUENCE

When the Control Box ON/OFF switch is set to the **ON** position, it checks all pre-purge safety switches to ensure they are closed. These switches include:

- Safety Shut-Off Valve (SSOV) Proof of Closure (POC) switch
- Low Water Level switch
- High Water Temperature switch
- High Gas Pressure switch
- Low Gas Pressure switch
- Blower Proof switch
- Blocked Inlet switch

If all of the above switches are closed, the **READY** light above the ON/OFF switch will light and the unit will be in the Standby mode.

When there is a demand for heat, the following events will occur:

NOTE

If any of the Pre-Purge safety device switches are open, the appropriate fault message will be displayed. Also, the appropriate messages will be displayed throughout the start sequence, if the required conditions are not observed.

1. The **DEMAND** LED status indicator will light.

Benchmark 2500/3000 Dual Fuel & Propane Boilers

CHAPTER 3 – OPERATION

2. The unit checks to ensure that the Proof of Closure (POC) switch in the downstream Safety Shut-Off Valve (SSOV) is closed. See Figure 3-3 for SSOV location.

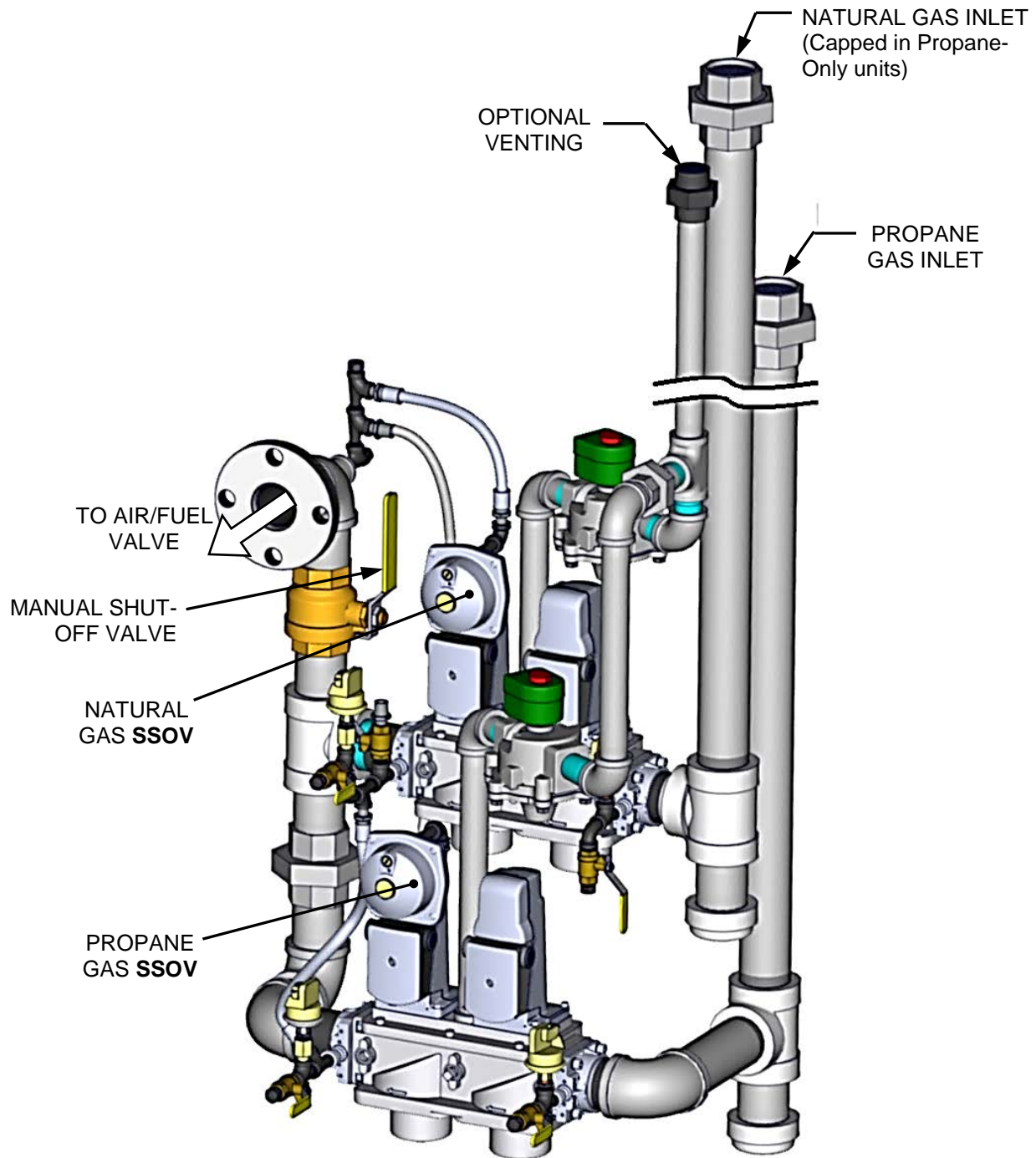


Figure 3-3: SSOV Locations (BMK 3000DF DBB Gas Train Pictured)

3. With all required safety device switches closed, a purge cycle will be initiated and the following events will occur:
 - a. The Blower relay energizes and turns on the blower.
 - b. The Air/Fuel Valve rotates to the full-open purge position and closes purge position switch. The dial on the Air/Fuel Valve (Figure 3-4) will read 100 to indicate that it is full-open (100%).

Benchmark 2500/3000 Dual Fuel & Propane Boilers

CHAPTER 3 – OPERATION

- c. The **VALVE POSITION** bargraph on the C-More will show 100%.

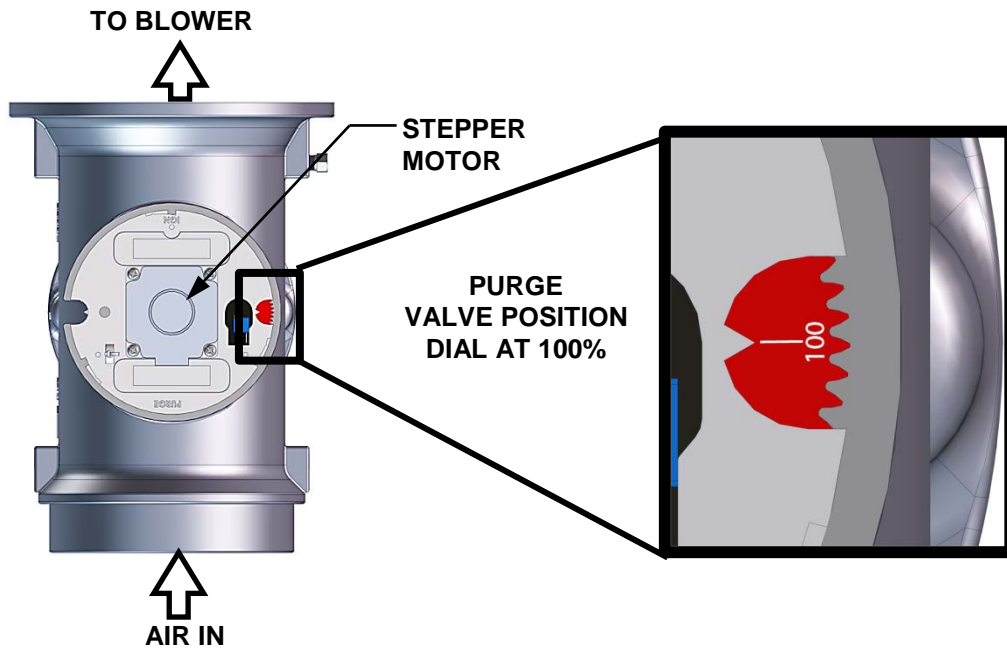


Figure 3-4: Air/Fuel Valve In Purge Position

4. Next, the blower proof switch on the Air/Fuel Valve (Figure 3-5) closes. The display will show **PURGING** and indicate the elapsed time of the purge cycle in seconds.

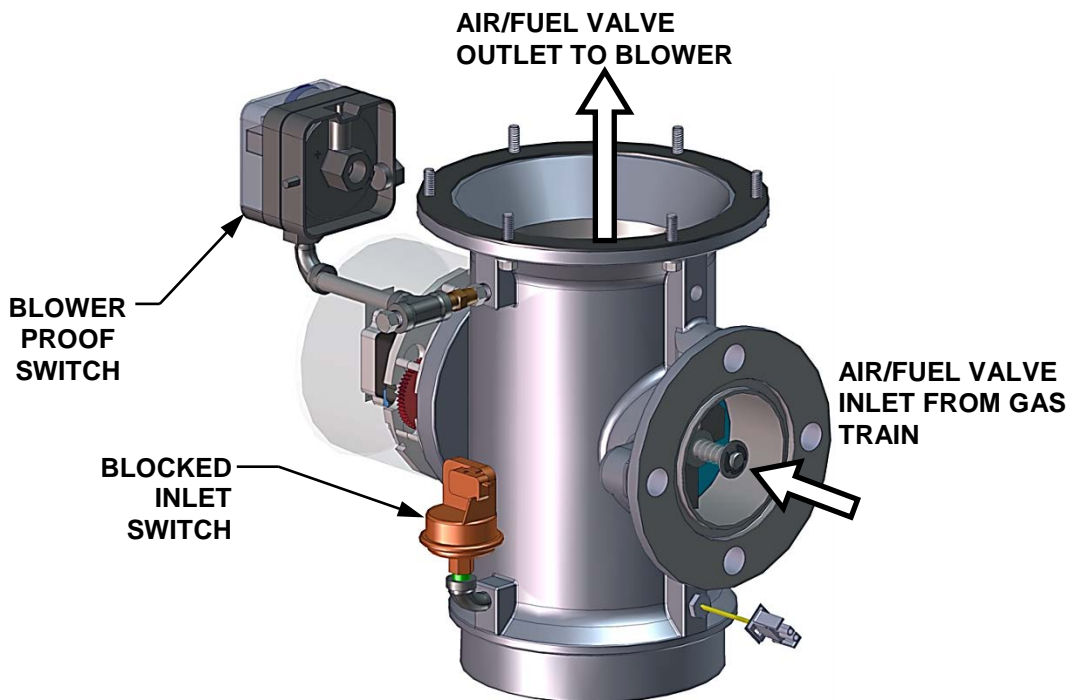


Figure 3-5: Blower Proof Switch

Benchmark 2500/3000 Dual Fuel & Propane Boilers

CHAPTER 3 – OPERATION

5. Upon completion of the purge cycle, the Control Box initiates an ignition cycle and the following events occur:
 - (a) The Air/Fuel Valve rotates to the low-fire (Ignition Position) position and closes the ignition switch. The Dial on the Air/Fuel Valve (Figure 3.6) will read **between 25 and 35** to indicate that the valve is in the low fire position.
 - (b) The “Spark Cycle Time” item in the Factory menu can be set to either 0 Sec, 2 Sec or 7 Sec to define the duration of the Spark Element Cleaning Cycle. This cycle turns on the spark transformer to produce a spark (with no gas flowing) to clean the spark element of moisture or carbon buildup.

For the duration of this cycle, the C-More will display the **CLEANING IGNITER** message.
 - (c) Following the Spark Element Cleaning Cycle, power is applied to the Gas Safety Shut-off Valve (SSOV) and the C-More displays the **PRE IGNITION** message. When the SSOV indicates the Gas Valve is OPEN (POC), the C-More displays the **IGNITION TRIAL** message.
 - (d) If no spark is present 3 seconds into the IGNITION TRIAL, the C-More will abort the Ignition Cycle and shut down the boiler. Refer to **Chapter 8: Troubleshooting** for guidance if this occurs.

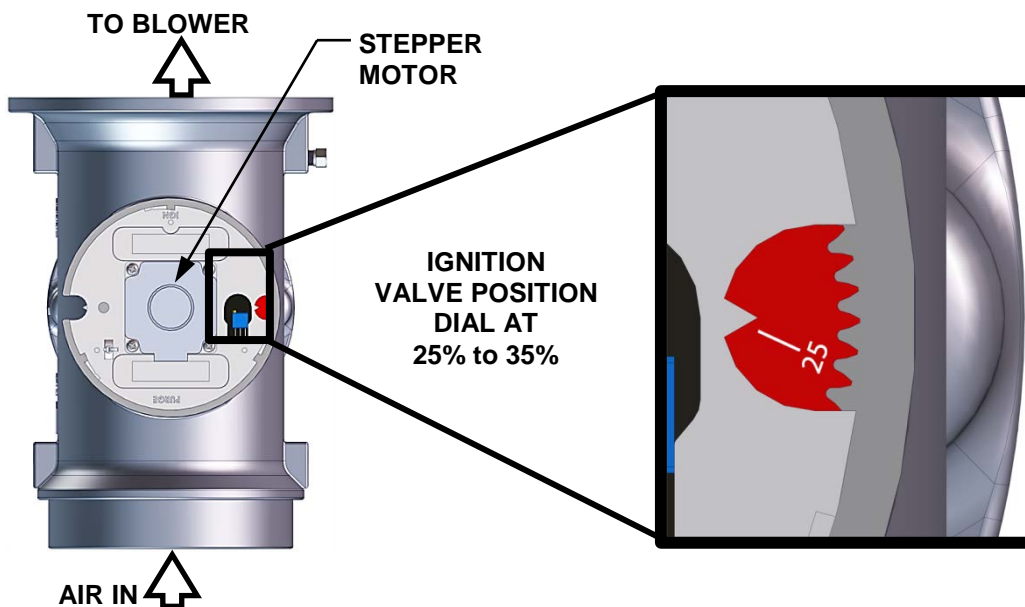


Figure 3-6: Air/Fuel Valve In Ignition Position

6. Up to 4 seconds will be allowed for ignition to be detected. The igniter relay will be turned off one second after flame is detected.
7. After 2 seconds of continuous flame, **FLAME PROVEN** will be displayed and the flame strength will be indicated. After 5 seconds, the current date and time will be displayed in place of the flame strength.
8. With the unit firing properly, it will be controlled by the temperature controller circuitry. The boiler's **VALVE POSITION** will be continuously displayed on the front panel bargraph.

Once the demand for heat has been satisfied, the Control Box will turn off the SSOV gas valve. The blower relay will be deactivated and the Air/Fuel Valve will be closed. **STANDBY** will be displayed.

Benchmark 2500/3000 Dual Fuel & Propane Boilers

CHAPTER 3 – OPERATION

3.11 START/STOP LEVELS

The start and stop levels are the Air/Fuel Valve positions (% open) that start and stop the unit, based on load. These levels are Factory preset as follows:

		BMK 3000DF	BMK 2500DF
Natural Gas	Start Level:	22%	24%
	Stop Level:	14%	16%
Propane Gas	Start Level:	24%	26%
	Stop Level:	18%	18%

Normally, these settings should not require adjustment.

Note that the energy input of the boiler is not linearly related to the Air/Fuel Valve position.

Refer to Table 3-8 and 3-9 for the relationship between the energy input and Air/Fuel Valve position for a **BMK 3000** boiler running on natural gas or propane.

Refer to Table 3-10 and 3-11 for the relationship between the energy input and Air/Fuel Valve position for a **BMK 2500** boiler running on natural gas or propane.

Table 3-8: Relationship Between Air/Fuel Valve Position and Energy Input For 3000 MBH Unit Running On NATURAL GAS

Air/Fuel Valve Position (% Open)	Energy Input (BTU/Hr)	Boiler Energy Input (% of Full Capacity)
14% (Stop Level)	200,000	6.7%
20%	320,000	11%
30%	690,000	23%
40%	1,110,000	37%
70%	2,210,000	74%
80%	2,490,000	83%
90%	2,780,000	93%
100%	3,000,000	100%

Table 3-9: Relationship Between Air/Fuel Valve Position and Energy Input For 3000 MBH Unit Running On PROPANE Gas

Air/Fuel Valve Position (% Open)	Energy Input (BTU/Hr)	Boiler Energy Input (% of Full Capacity)
18% (Stop Level)	200,000	6.7%
30%	520,000	17%
40%	920,000	31%
50%	1,270,000	42%
60%	1,570,000	52%
70%	1,960,000	65%
80%	2,330,000	78%
90%	2,700,000	90%
100%	3,000,000	100%

Benchmark 2500/3000 Dual Fuel & Propane Boilers

CHAPTER 3 – OPERATION

Table 3-10: Relationship Between Air/Fuel Valve Position and Energy Input For 2500 MBH Unit Running On NATURAL GAS

Air/Fuel Valve Position (% Open)	Energy Input (BTU/Hr)	% of Full Capacity
16% (Stop Level)	167,000	6.7%
30%	430,000	17%
40%	865,000	35%
50%	1,190,000	48%
60%	1,495,000	60%
70%	1,820,000	73%
80%	2,090,000	84%
90%	2,350,000	94%
100%	2,500,000	100%

Table 3-11: Relationship Between Air/Fuel Valve Position and Energy Input For 2500 MBH Unit Running On PROPANE Gas

Air/Fuel Valve Position (% Open)	Energy Input (BTU/Hr)	% of Full Capacity
18% (Stop Level)	155,000	6.2%
30%	400,000	16%
40%	808,000	32%
50%	1,055,000	42%
60%	1,330,000	53%
70%	1,671,000	67%
80%	1,998,000	80%
90%	2,280,000	91%
100%	2,500,000	100%

Benchmark 2500/3000 Dual Fuel & Propane Boilers

CHAPTER 3 – OPERATION

(This Page Is Intentionally Blank)

CHAPTER 4: INITIAL START-UP

4.1 INITIAL START-UP REQUIREMENTS

The requirements for the initial start-up of the Benchmark 2500 and 3000 MBH boilers consists of the following:

- Complete installation (Chapter 2)
- Set proper controls and limits (Chapter 3)
- Perform combustion calibration (Chapter 4)
- Test safety devices (Chapter 6)

All applicable installation procedures in Chapter 2 must be fully completed prior to performing the initial start-up of the unit. The initial start-up must be successfully completed prior to putting the unit into service. Starting a unit without the proper piping, venting, or electrical systems can be dangerous and may void the product warranty. The following start-up instructions should be followed precisely in order to operate the unit safely and at a high thermal efficiency, with low flue gas emissions.

Initial unit start-up must be performed **ONLY** by AERCO factory trained start-up and service personnel. After performing the start-up procedures in this Chapter, it will be necessary to perform the Safety Device Testing procedures specified in Chapter 6 to complete all initial unit start-up requirements.

An AERCO Gas Fired Startup Sheet, included with each Benchmark, must be completed for each unit for warranty validation and a copy must be returned promptly to AERCO via e-mail at: ***STARTUP@AERCO.COM***

WARNING!

DO NOT ATTEMPT TO DRY FIRE THE UNIT. Starting the unit without a full water level can seriously damage the unit and may result in injury to personnel or property damage. This situation will void any warranty.

NOTE

All applicable installation procedures in Chapter 2 **MUST** be completed before attempting to start the unit.

4.2 TOOLS AND INSTRUMENTATION FOR COMBUSTION CALIBRATION

To properly perform combustion calibration, the proper instruments and tools must be used and correctly attached to the unit. The following sections outline the necessary tools and instrumentation as well as their installation.

4.2.1 Required Tools & Instrumentation

The following tools and instrumentation are necessary to perform combustion calibration of the unit:

Benchmark 2500/3000 Dual Fuel & Propane Boilers

CHAPTER 4 – INITIAL START-UP

- Digital Combustion Analyzer: Oxygen accuracy to $\pm 0.4\%$; Carbon Monoxide (CO) and Nitrogen Oxide (NOx) resolution to 1PPM
- 16 inch W.C. manometer or equivalent gauge and plastic tubing
- 1/4 inch NPT-to-barbed fittings for use with gas supply manometer or gauge
- Small and large flat blade screwdrivers
- Tube of silicone adhesive

4.2.2 Installing Gas Supply Manometer

The gas supply manometer (or gauge) is used to monitor the gas pressure on the downstream side of the SSOV during the combustion calibration procedures described in section 4.4.

The gas supply manometer is installed at the upstream and/or downstream location shown in Figure 4-1.

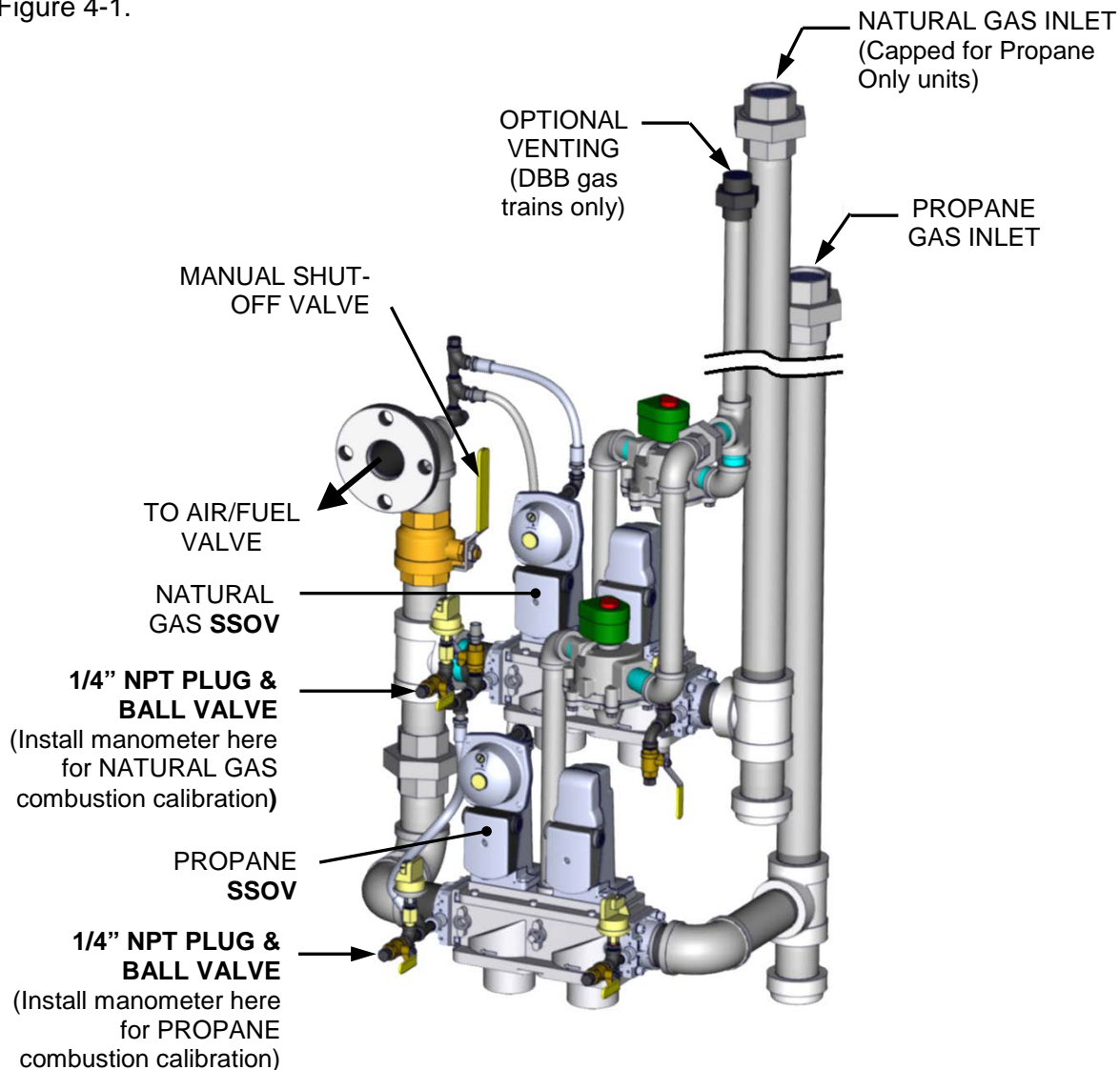


Figure 4-1: 1/4 Inch Gas Port Locations for Combustion Calibration (BMK 3000DF DBB Gas Train Pictured)

Benchmark 2500/3000 Dual Fuel & Propane Boilers

CHAPTER 4 – INITIAL START-UP

Install the 16" W.C. manometer(s) as described in the following steps:

Installing Gas Supply Manometer

1. Turn off the main gas supply upstream of the unit.
2. Remove the top panel and front panel from the boiler to access the gas train components.
3. To monitor the gas pressure on the downstream side of the SSOV during combustion calibration (section 4.4), remove the 1/4" NPT plug from the leak detection ball valve on the downstream side of the SSOV as shown in Figure 4-1.
4. Install a NPT-to-barbed fitting into the tapped plug port.
5. Attach one end of the plastic tubing to the barbed fitting and the other end to the 16" W.C. manometer.

4.2.3 Accessing the Analyzer Probe Port

The unit contains a 1/4" NPT port on the side of the exhaust manifold as shown in Figure 4-2. Prepare the port for the combustion analyzer probe as follows:

Accessing the Analyzer Probe Port

1. Refer to Figure 4-2 and remove the 1/4" NPT plug from the exhaust manifold.
2. If necessary, adjust the stop on the combustion analyzer probe so it will extend mid-way into the flue gas flow. DO NOT install the probe at this time.

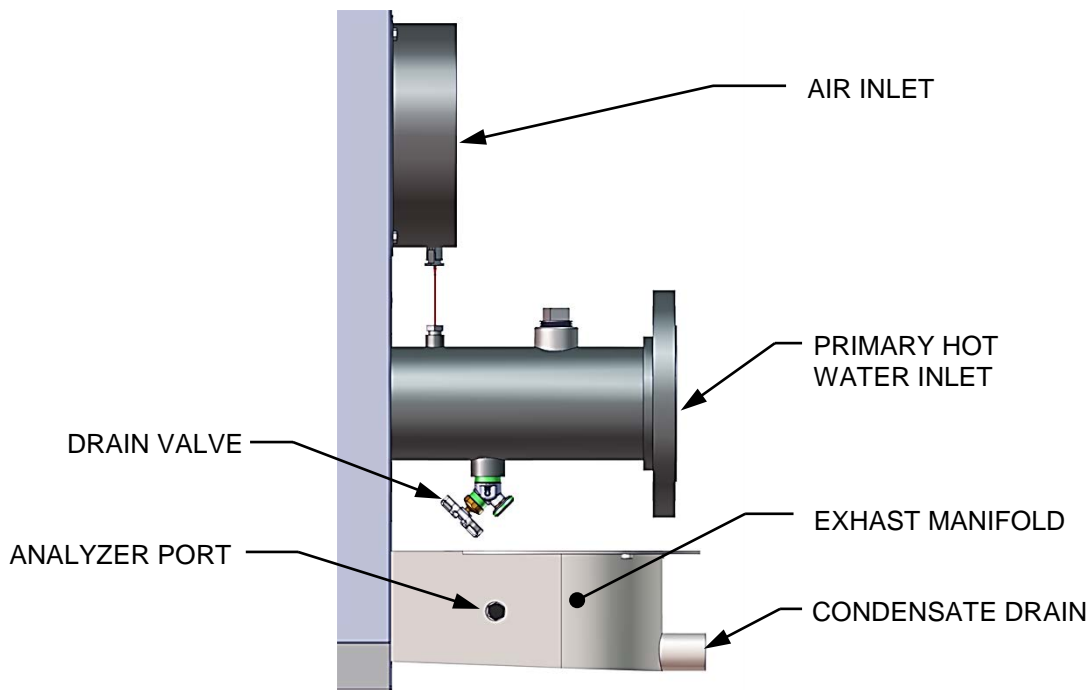


Figure 4-2: Analyzer Probe Port Location (Right Side Partial View)

Benchmark 2500/3000 Dual Fuel & Propane Boilers

CHAPTER 4 – INITIAL START-UP

4.3 NATURAL GAS COMBUSTION CALIBRATION

The following Instructions for NATURAL GAS combustion calibration apply to both BMK 2500DF and BMK 3000DF model units.

NOTE

The Natural Gas combustion calibration procedures in this section are only applicable to dual fuel models.

The Benchmark boiler is combustion calibrated at the factory prior to shipping. This gas pressure must be within the following ranges for each model of boiler **at full fire**:

Table 4-1: Nominal Gas Pressure – NATURAL GAS

BMK Boiler Model	Nominal Natural Gas Pressure
BMK 2500DF & 3000DF	6.0" W.C. \pm 0.2" W.C.

Recalibration as part of initial start-up is necessary due to changes in the local altitude, gas BTU content, gas supply piping and supply regulators. Combustion Calibration Test Data sheets are shipped with each unit. These sheets must be filled out and returned to AERCO for proper Warranty Validation.

It is important to perform the following procedure as outlined. This will keep readjustments to a minimum and provide optimum performance.

NATURAL GAS Combustion Calibration

1. Open the water supply and return valves to the unit and ensure that the system pumps are running.
2. Open the natural gas supply valve to the unit.
3. Set the control panel ON/OFF switch to the **OFF** position
4. Turn on external ac power to the unit. The display will show loss of power and the time and date.
5. Set the unit to the manual mode by pressing the **AUTO/MAN** key. A flashing manual valve position message will be displayed with the present position in %. Also, the MANUAL LED will light.
6. Adjust the air/fuel valve position to **0%** by pressing the ▼ arrow key.
7. Ensure that the leak detection ball valve downstream of the SSOV is open.
8. Set the ON/OFF switch to the **ON** position.
9. Change the valve position to **30%** using the ▲ arrow key. The unit should begin its start sequence and fire.
10. Next, verify that the gas pressure downstream of the SSOV is set to **6.0 \pm 0.2" W.C.** If gas pressure adjustment is required, remove the brass hex nut on the SSOV actuator to access the gas pressure adjustment screw (Figure 4-3). Make gas pressure adjustments using a flat-tip screwdriver to obtain a gas pressure of **6.0" W.C. \pm 0.2" W.C.**
11. Using the ▲ arrow key, increase the valve open position to **100%**. Verify that the gas pressure on the downstream side of the SSOV settles within the required range of **6.0 \pm 0.2" W.C.** Readjust the gas pressure if necessary.
12. With the valve position at **100%**, insert the combustion analyzer probe into the flue probe opening and allow enough time for the combustion analyzer reading to stabilize.

Benchmark 2500/3000 Dual Fuel & Propane Boilers

CHAPTER 4 – INITIAL START-UP

NATURAL GAS Combustion Calibration – Continued

13. Compare the oxygen readings on the combustion analyzer to the on-board O₂ sensor value displayed in the *Operating* menu of the C-More Control Panel. If the values differ by more than $\pm 0.5\%$, have your combustion analyzer calibration checked as soon as possible. If the readings differ by more than $\pm 1.5\%$, use the on-board O₂ sensor to calibrate the unit. Have your combustion analyzer serviced.
14. Compare the measured oxygen level to the oxygen range shown below. Also, ensure that the nitrogen oxide (NO_x) and carbon monoxide (CO) readings do not exceed the values shown. If you are not in a “NO_x-limited” area and/or do not have a NO_x measurement in your analyzer, set the oxygen (O₂) at **5.3% \pm 0.4%** for the BMK 3000DF and **5.6% \pm 0.4%** for the BMK 2500DF.

Table 4-2: Combustion Calibration Readings

Model	Valve Position	Oxygen (O ₂) %	Nitrogen Oxide (NO _x)	Carbon Monoxide (CO)
BMK 3000DF	100%	5.3% \pm 0.4%	<30 ppm	<100 ppm
BMK 2500DF	100%	5.6% \pm 0.4%	<20 ppm	<100 ppm

15. If the oxygen level is not within the required tolerance, the gas pressure on the downstream side of the SSOV must be adjusted using the gas pressure adjustment screw on the SSOV (Figure 4-3). Slowly rotate the gas pressure adjustment (approximately 1/4-turn increments). Allow the combustion analyzer to stabilize following each adjustment. Clockwise rotation reduces the oxygen level, while counterclockwise rotation increases the oxygen level.
16. Once the oxygen level is within the specified range at 100%, record the O₂, NO_x and CO readings on the Combustion Calibration Data Sheets provided with the unit.
17. Use the ▼ arrow key to lower the valve position to the following level:
 - BMK 3000DF – **85 %**
 - BMK 2500DF – **70 %**
18. Press the **MENU** key on the front panel of the C-MORE and access the **Setup** menu. Enter password **6817** and then press the **ENTER** key.

NOTE

The remaining combustion calibration steps are performed using the *Combustion Cal* menu included in the C-More Control System. These steps assume that the **inlet air temperature is within the range of 50°F to 100°F**. If NO_x readings exceed the target values shown, increase the O₂ level up to 1% higher than the listed calibration range. Record the increased O₂ value on the Combustion Calibration sheet.

19. Press the **MENU** key on the front panel of the C-MORE until **Combustion Cal Menu** appears on the display.
20. Press the ▲ arrow key until **SET Valve Position** appears on the display.
21. Press the **CHANGE** key. **SET Valve Position** will begin to flash.

Benchmark 2500/3000 Dual Fuel & Propane Boilers

CHAPTER 4 – INITIAL START-UP

NATURAL Gas Combustion Calibration - Continued

22. Press the ▲ arrow key until the **SET Valve Position** reads the following, then press the **ENTER** key:
 - BMK 3000DF – **85 %**
 - BMK 2500DF – **70 %**
23. Next, press the ▼ arrow key until **CAL Voltage** displays the following:
 - BMK 3000DF – **85 %**
 - BMK 2500DF – **70 %**
24. Press the **CHANGE** key and observe that **CAL Voltage 85%** (for BMK 3000DF) or **CAL Voltage 70%** (for BMK 2500DF) is flashing.
25. The oxygen level at the selected valve position should be as shown below. Also, ensure that the nitrogen oxide (NOx) and carbon monoxide (CO) readings do not exceed the following values:

Table 4-3: Combustion Calibration Readings

Model	Valve Position	Oxygen (O ₂) %	Nitrogen Oxide (NOx)	Carbon Monoxide (CO)
BMK 3000DF	85%	5.4% ± 0.4%	<30 ppm	<100 ppm
BMK 2500DF	70%	5.9% ± 0.4%	<20 ppm	<100 ppm

26. If the oxygen level is not within the specified range, adjust the level using the ▲ and ▼ arrow keys. This will adjust the output voltage to the blower motor as indicated on the display. Pressing the ▲ arrow key increases the oxygen level and pressing the down ▼ arrow key decreases the oxygen level.
27. Once the oxygen level is within the specified range at 85% (for BMK 3000DF) or 70% (for BMK 2500DF), press the **ENTER** key to store the selected blower output voltage for the 85% valve position. Record all readings on the Combustion Calibration Sheets provided.
28. Repeat steps 19 through 26 for the valve positions shown in the tables below. The oxygen (O₂), nitrogen oxide (NOx) and carbon monoxide (CO) should remain within the same limits for all valve positions as shown in the following table.

NOTE

If NOx readings exceed the target values shown (<20 ppm), increase the O₂ level up to 1% higher than the listed calibration range shown in the table. Record the increased O₂ value on the Combustion Calibration sheet.

Table 4-4: BMK 3000DF NATURAL GAS Combustion Calibration Readings

Valve Position	Oxygen (O ₂) %	Nitrogen Oxide (NOx)	Carbon Monoxide (CO)
65%	5.5% ± 0.3	<30 ppm	<100 ppm
45%	5.7% ± 0.3	<30 ppm	<100 ppm
30%	5.6% ± 0.3	<30 ppm	<100 ppm
14%	6.2% ± 0.3	<30 ppm	<100 ppm

Benchmark 2500/3000 Dual Fuel & Propane Boilers

CHAPTER 4 – INITIAL START-UP

NATURAL Gas Combustion Calibration - Continued

Table 4-5: BMK 2500DF NATURAL GAS Combustion Calibration Readings

Valve Position	Oxygen (O ₂) %	Nitrogen Oxide (NOx)	Carbon Monoxide (CO)
45%	6.2% ± 0.3	<20 ppm	<100 ppm
30%	6.0% ± 0.3	<20 ppm	<50 ppm
20%	5.8% ± 0.3	<20 ppm	<50 ppm
16%	6.0% ± 0.3	<20 ppm	<50 ppm

29. If the oxygen level is too high at the 14% valve position (for the BMK 3000DF) or 16% position (for the BMK 2500DF) and the Blower voltage is at the minimum value, you can adjust the idle screw (TAC valve) which is recessed in the top of the Air/Fuel Valve (see Figure 4-4). Rotate the screw 1/2 turn clockwise (CW) to add fuel and reduce the O₂ to the specified level. Recalibration **MUST** be performed again from 50% down to 14% (for the BMK 3000DF) or 50% down to 16% (for the BMK 2500DF) after making a change to the idle screw (TAC valve).

30. This completes the **NATURAL GAS** combustion calibration procedure.



Figure 4-3: Gas Pressure Adjustment Screw Location

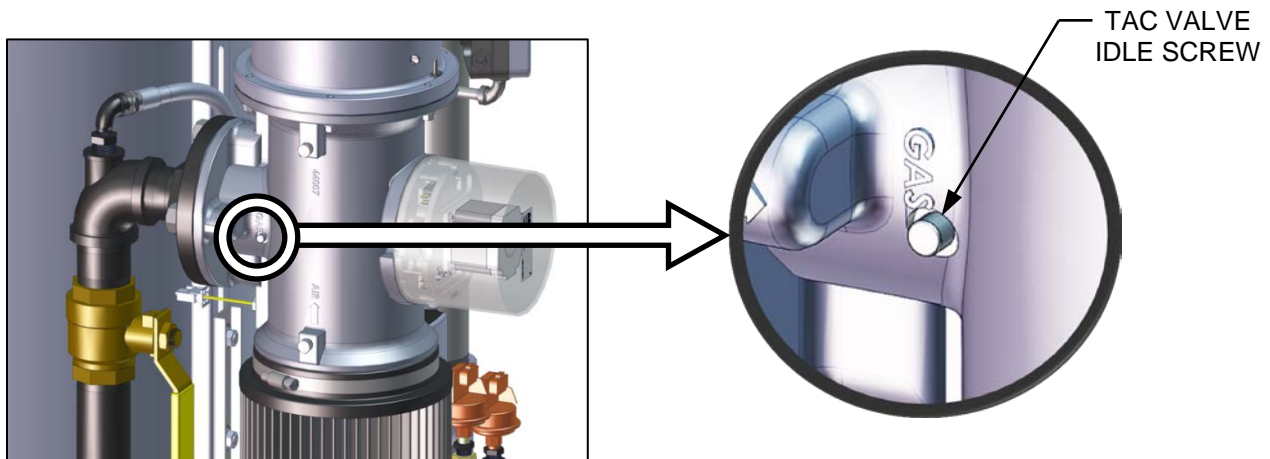


Figure 4-4: TAC Valve Adjust (Idle Screw)

Benchmark 2500/3000 Dual Fuel & Propane Boilers

CHAPTER 4 – INITIAL START-UP

4.4 PROPANE GAS COMBUSTION CALIBRATION

If the boiler is a dual fuel model currently running Natural Gas, complete the instructions in section 4.6.1 to switch the boiler fuel source from NATURAL GAS to PROPANE Gas.

The Benchmark boiler is combustion calibrated at the factory prior to shipping. This gas pressure must be within the following ranges for each model of boiler **at full fire**:

Table 4-6: Nominal Gas Pressure – PROPANE

BMK Boiler Model	Nominal PROPANE Gas Pressure
BMK 2500DF & 2500P	2.0" W.C. \pm 0.2" W.C.
BMK 3000DF & 3000P	1.6" W.C. \pm 0.2" W.C.

Recalibration as part of initial start-up is necessary due to changes in the local altitude, gas BTU content, gas supply type (Natural or Propane), gas supply piping and supply regulators. Combustion Calibration Test Data sheets are shipped with each unit. These sheets must be filled out and returned to AERCO for proper Warranty Validation.

It is important to perform the following procedure as outlined. This will keep readjustments to a minimum and provide optimum performance.

PROPANE Gas Combustion Calibration

1. Open the water supply and return valves to the unit and ensure that the system pumps are running.
2. Set the control panel ON/OFF switch to the **OFF** position
3. Turn on external ac power to the unit. The display will show loss of power and the time and date.
4. Set the unit to the manual mode by pressing the **AUTO/MAN** key. A flashing manual valve position message will be displayed with the present position in %. Also, the **MANUAL** LED will light.
5. Adjust the air/fuel valve position to **0%** by pressing the **▼** arrow key.
6. Ensure that the leak detection ball valve downstream of the SSOV is open.
7. Set the ON/OFF switch to the **ON** position.
8. Change the valve position to **30%** using the **▲** arrow key. The unit should begin its start sequence and fire.
9. Next, verify that the gas pressure downstream of the SSOV is set to **1.6" \pm 0.2" W.C.** (for the BMK 3000DF) or **2.0" W.C. \pm 0.2" W.C.** (for the BMK 2500DF). If gas pressure adjustment is required, remove the brass hex nut on the SSOV actuator to access the gas pressure adjustment screw (Figure 4-5). Make gas pressure adjustments using a flat-tip screwdriver to obtain a gas pressure in the desired range.
10. Using the **▲** arrow key, increase the valve open position to **100%**. Verify that the gas pressure on the downstream side of the SSOV settles within the required range of **1.6" \pm 0.2" W.C.** (for the BMK 3000DF) or **2.0" W.C. \pm 0.2" W.C.** (for the BMK 2500DF). Readjust the gas pressure if necessary.
11. With the valve position at **100%**, insert the combustion analyzer probe into the flue probe opening and allow enough time for the combustion analyzer reading to stabilize.

Benchmark 2500/3000 Dual Fuel & Propane Boilers

CHAPTER 4 – INITIAL START-UP

PROPANE Gas Combustion Calibration – Continued

12. Compare the oxygen readings on the combustion analyzer to the on-board O₂ sensor value displayed in the *Operating* menu of the C-More Control Panel. If the values differ by more than $\pm 0.5\%$, have your combustion analyzer calibration checked as soon as possible. If the readings differ by more than $\pm 1.5\%$, use the on-board O₂ sensor to calibrate the unit. Have your combustion analyzer serviced.
13. Compare the measured oxygen level to the oxygen range shown below. Also, ensure that the nitrogen oxide (NO_x) and carbon monoxide (CO) readings do not exceed the values shown. If you are not in a “NO_x-limited” area and/or do not have a NO_x measurement in your analyzer, set the oxygen (O₂) at **5.2% \pm 0.4%** for the BMK 3000DF and **5.0% \pm 0.4%** for the BMK 2500DF.

Table 4-7: Combustion Calibration Readings

Model	Valve Position	Oxygen (O ₂) %	Nitrogen Oxide (NO _x)	Carbon Monoxide (CO)
BMK 3000DF	100%	5.2% - \pm 0.4%	<100 ppm	<150 ppm
BMK 2500DF	100%	5.0% - \pm 0.4%	<100 ppm	<150 ppm

14. If the oxygen level is not within the required tolerance, the gas pressure on the downstream side of the SSOV must be adjusted using the gas pressure adjustment screw on the SSOV (Figure 4-5). Slowly rotate the gas pressure adjustment (approximately 1/4-turn increments). Allow the combustion analyzer to stabilize following each adjustment. Clockwise rotation reduces the oxygen level, while counterclockwise rotation increases the oxygen level.
15. Once the oxygen level is within the specified range at 100%, record the O₂, NO_x and naivety CO readings on the Combustion Calibration Data Sheets provided with the unit.
16. Use the ▼ arrow key to lower the valve position to the following level:
 - BMK 3000DF – **85 %**
 - BMK 2500DF – **70 %**

NOTE

The remaining combustion calibration steps are performed using the *Combustion Cal* menu included in the C-More Control System. These steps assume that the **inlet air temperature is within the range of 50°F to 100°F**. If NO_x readings exceed the target values shown, increase the O₂ level up to 1% higher than the listed calibration range. Record the increased O₂ value on the Combustion Calibration sheet.

17. Press the **MENU** key on the front panel of the C-MORE and access the **Setup** menu. Enter password **6817** and then press the **ENTER** key.
18. Press the **MENU** key on the front panel of the C-MORE until **Combustion Cal Menu** appears on the display.
19. Press the ▲ arrow key until **SET Valve Position** appears on the display.
20. Press the **CHANGE** key. **SET Valve Position** will begin to flash.

Benchmark 2500/3000 Dual Fuel & Propane Boilers

CHAPTER 4 – INITIAL START-UP

PROPANE Gas Combustion Calibration – Continued

21. Press the ▲ arrow key until the **SET Valve Position** reads the following, then press the **ENTER** key:
 - BMK 3000DF – **85 %**
 - BMK 2500DF – **70 %**
22. Next, press the ▼ arrow key until **CAL Voltage** displays the following:
 - BMK 3000DF – **85 %**
 - BMK 2500DF – **70 %**
23. Press the **CHANGE** key and observe that **CAL Voltage 85%** (for BMK 3000DF) or **CAL Voltage 70%** (for BMK 2500DF) is flashing.
24. The oxygen level at the 85% valve position should be as shown below. Also, ensure that the nitrogen oxide (NOx) and carbon monoxide (CO) readings do not exceed the following values:

Table 4-8: Combustion Calibration Readings

Model	Valve Position	Oxygen (O ₂) %	Nitrogen Oxide (NOx)	Carbon Monoxide (CO)
BMK 3000DF	85%	5.2% - ± 0.4%	<100 ppm	<150 ppm
BMK 2500DF	70%	5.4% - ± 0.4%	<100 ppm	<150 ppm

25. If the oxygen level is not within the specified range, adjust the level using the ▲ and ▼ arrow keys. This will adjust the output voltage to the blower motor as indicated on the display. Pressing the ▲ arrow key increases the oxygen level and pressing the down ▼ arrow key decreases the oxygen level.
26. Once the oxygen level is within the specified range at 85% (for BMK 3000DF) or 70% (for BMK 2500DF), press the **ENTER** key to store the selected blower output voltage for the 85% or 70% valve position. Record all readings on the Combustion Calibration Sheets provided.
27. Repeat steps 19 through 26 for the valve positions shown in the tables below. The oxygen (O₂), nitrogen oxide (NOx) and carbon monoxide (CO) should remain within the same limits for all valve positions as shown in the following table.

NOTE

If NOx readings exceed the target values shown (<20 ppm), increase the O₂ level up to 1% higher than the listed calibration range shown in the table. Record the increased O₂ value on the Combustion Calibration sheet.

Table 4-9: BMK 3000DF PROPANE Combustion Calibration Readings

Valve Position	Oxygen (O ₂) %	Nitrogen Oxide (NOx)	Carbon Monoxide (CO)
65%	5.4% ± 0.3	<100 ppm	<150 ppm
45%	6.0% ± 0.3	<100 ppm	<100 ppm
30%	6.4% ± 0.3	<100 ppm	<100 ppm
18%	6.4% ± 0.3	<100 ppm	<100 ppm

Benchmark 2500/3000 Dual Fuel & Propane Boilers

CHAPTER 4 – INITIAL START-UP

PROPANE Gas Combustion Calibration – Continued

Table 4-10: BMK 2500DF PROPANE Combustion Calibration Readings

Valve Position	Oxygen (O ₂) %	Nitrogen Oxide (NOx)	Carbon Monoxide (CO)
45%	5.6% ± 0.3	<100 ppm	<150 ppm
30%	6.0% ± 0.3	<100 ppm	<100 ppm
22%	5.8% ± 0.3	<100 ppm	<100 ppm
18%	6.0% ± 0.3	<100 ppm	<100 ppm

28. If the oxygen level at the 18% valve position is too high and the Blower voltage is at the minimum value, you can adjust the idle screw (TAC valve) which is recessed in the top of the Air/Fuel Valve (see Figure 4-4, above). Rotate the screw 1/2 turn clockwise (CW) to add fuel and reduce the O₂ to the specified level. Recalibration **MUST** be performed again from 45% down to 18% after making a change to the idle screw (TAC valve).

29. **This completes the PROPANE combustion calibration procedures.**

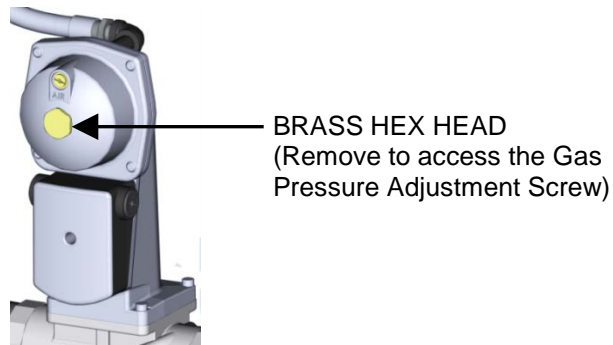


Figure 4-5: Gas Pressure Adjustment Screw Location

4.5 REASSEMBLY AFTER COMBUSTION CALIBRATION

Once the combustion calibration adjustments are properly set, the unit can be reassembled for service operation.

Reassembly After Combustion Calibration

1. Set the ON/OFF switch in the **OFF** position.
2. Disconnect AC power from the unit.
3. Shut off the gas supply to the unit.
4. Remove the manometer and barbed fittings and reinstall the NPT plug using a suitable pipe thread compound.
5. Remove the combustion analyzer probe from the 1/4" vent hole in the exhaust manifold. Replace the 1/8" NPT plug in the manifold.
6. Replace all previously removed sheet metal enclosures on the unit.

4.6 DUAL-FUEL SWITCHOVER INSTRUCTIONS

NOTE

The switchover instructions in this section are only applicable to dual fuel models.

4.6.1 Switchover from NATURAL GAS to PROPANE

To switch from Natural Gas to Propane Gas operation, proceed as follows:

Switchover from NATURAL GAS to PROPANE

1. Set the ON/OFF switch on the C-More Controller to the **OFF** position.
2. Close the external Natural Gas supply valves.
3. Open the external Propane Gas supply valves.
4. Refer to Figure 4-6 and locate the Fuel Selector Switch on the unit, behind the front door.
5. Set the Fuel Selector Switch to the **PROPANE** position. A **Gas Pressure Fault** message will be displayed on the Control Box.
6. Clear the Low Gas Pressure Fault by pressing the **CLEAR** key.
7. Set the ON/OFF switch on the C-More /control Box to the **ON** position.
8. Press the **MENU** key once. **Setup Menu** will be displayed.
9. Press the **▲** arrow key once. **Password** will be displayed.
10. Press the **CHANGE** key. **Password** will begin to flash.
11. Using the **▲** arrow key, increment the display and stop at **159**.
12. Press the **ENTER** key to store the displayed password.
13. **Password 1** will be displayed, indicating that the valid Level 1 password has been stored.
14. Next, access the *Configuration* menu by pressing the **MENU** key once.
15. Using the **▲** and **▼** arrow keys, scroll through the *Configuration* menu and stop at **Fuel Type**.
16. Press the **CHANGE** key. Fuel Type will begin to flash.
17. Press the **▲** arrow key. **Propane** will be displayed.
18. Press the **ENTER** key to store the *Propane Fuel type*.
19. Replace the front door panel.
20. **This completes the switchover from Natural Gas to Propane Gas.**

Benchmark 2500/3000 Dual Fuel & Propane Boilers

CHAPTER 4 – INITIAL START-UP

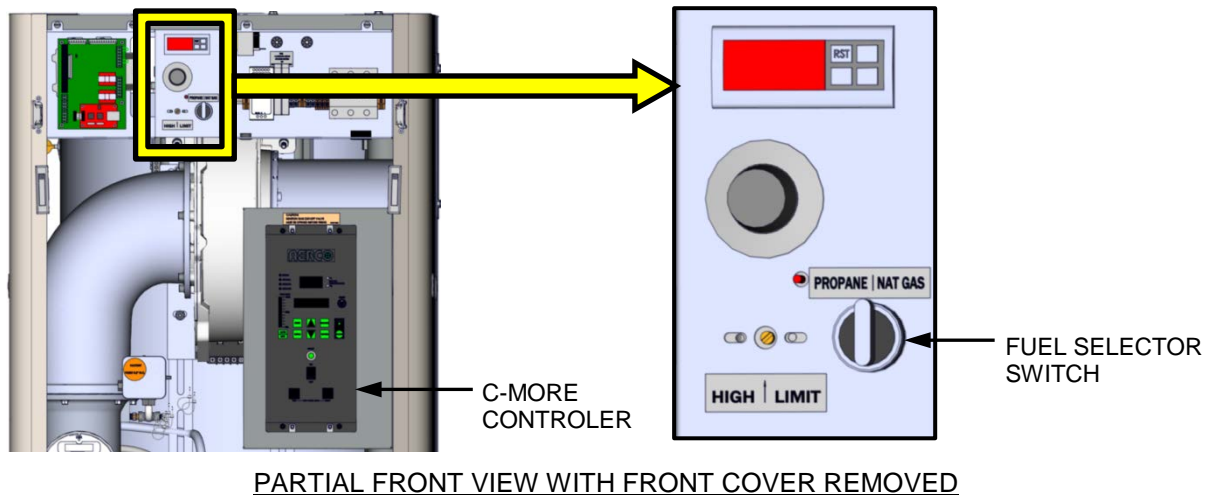


Figure 4-6: Dual-Fuel Switchover Location

4.6.2 Switchover from PROPANE to NATURAL GAS

To switch from Propane Gas to Natural Gas operation, proceed as follows:

Switchover from PROPANE to NATURAL GAS

1. Set the ON/OFF switch on the C-More Controller to the **OFF** position.
2. Close the external Propane Gas supply valves.
3. Open the external Natural Gas supply valves.
4. Refer to Figure 4-6 and locate the Fuel Selector Switch on the front of the unit.
5. Set the Fuel Selector Switch to the **NATURAL GAS** position. A **Gas Pressure Fault** message will be displayed on the Control Box.
6. Clear the Low Gas Pressure Fault by pressing the **CLEAR** key.
7. Apply AC power to the unit.
8. Press the **MENU** key once. **Setup Menu** will be displayed.
9. Press the **▲** arrow key once. **Password** will be displayed.
10. Press the **CHANGE** key. **Password** will begin to flash.
11. Using the **▲** arrow key, increment the display and stop at 159.
12. Press the **ENTER** key to store the displayed password.
13. **Password 1** will be displayed, indicating that the valid Level 1 password has been stored.
14. Next, access the *Configuration* menu by pressing the **MENU** key once.
15. Using the **▲** and **▼** arrow keys, scroll through the *Configuration* menu and stop at **Fuel Type**.

Benchmark 2500/3000 Dual Fuel & Propane Boilers

CHAPTER 4 – INITIAL START-UP

Switchover from Propane Gas to Natural Gas - Continued

16. Press the **CHANGE** key. **Fuel Type** will begin to flash.
17. Press the ▼ arrow key. **Natural Gas** will be displayed.
18. Press the **ENTER** key to store the Natural Gas Fuel type.
19. Replace the front door panel.
20. **This completes the switchover from Propane Gas to Natural Gas operation.**

4.7 OVER-TEMPERATURE LIMIT SWITCHES

The unit contains three (3) types of over-temperature limit controls. These controls consist of a Manual Reset button, a rotary adjustable Temperature Limit switch and a digital Over-Temperature Alarm switch. These controls are mounted on a plate as shown in Figure 4-5. They can be accessed by opening the front panel door of the unit.

The Manual Reset button is not adjustable and is permanently fixed at 210°F (98.9°C). This button will shut down and lock out the boiler if the water temperature exceeds 210°F (98.9°C). Following an over-temperature condition, it must be manually reset by pressing the manual reset button shown in Figure 4-4 before the boiler can be restarted.

The rotary adjustable Over-Temperature Limit switch is manually adjustable from 32°F - 212°F (0°C – 100°C). This switch allows the boiler to restart, once the temperature drops below the selected temperature setting on the dial. Set the dial on this switch to the desired setting.

The digital Over-Temperature Alarm switch shown in Figures 4-5 and 4-6 is preset at the factory to 210°F (98.9°C) and should not be changed. If an over-temperature condition is detected, this switch automatically shuts down the boiler and sounds an audible alarm. If desired, the Over-Temperature Alarm can be checked or adjusted using the procedure in section 4.7.1.

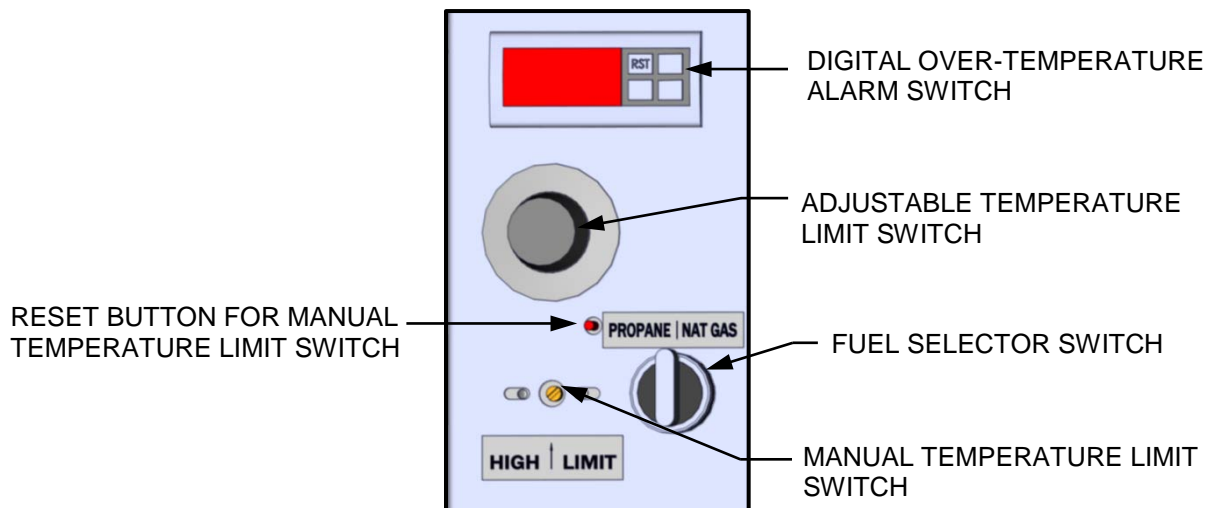


Figure 4-7: Over-Temperature Limit Switch Locations

Benchmark 2500/3000 Dual Fuel & Propane Boilers

CHAPTER 4 – INITIAL START-UP

4.7.1 Digital Alarm Switch Checks and Adjustments

The digital alarm switch settings can be checked or adjusted using the controls and display on the front panel of the switch illustrated and described in Figure 4-8 and Table 4-11.

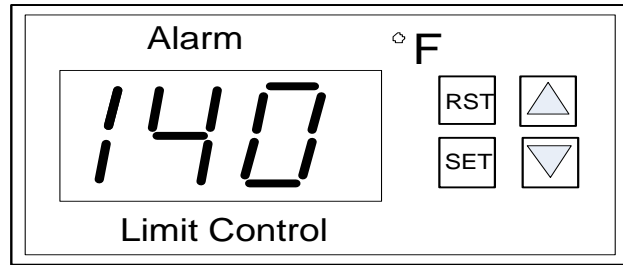


Figure 4-8: Digital Alarm Switch Front Panel

Table 4-11: Digital Alarm Switch Controls and Display

CONTROL or Display	MEANING	FUNCTION
LED Display	TEMP status	Displays current water temperature or setpoint.
RST	RESET Button	Resets the unit after an alarm condition.
▲	UP Button	Increases the displayed temperature.
▼	DOWN Button	Decreases the displayed temperature.
SET	SET Button	Used to access and store parameters in the unit.

Perform the following steps to check or adjust the digital alarm switch settings:

Check or Adjust Digital Alarm Switch Settings

1. Set the **ON/OFF** to the ON position.
2. Press the **SET** button on the Digital Alarm Switch. **SP** will appear in the display.
3. Press the **SET** button again. The current over-temperature limit value stored in memory will be displayed. (Default = 210°F).
4. If the display does not show the required over-temperature alarm setting, press the ▲ or ▼ arrow button to change the display to the desired temperature setting.
5. Once the desired over-temperature alarm setting (210°F) is displayed, press the **SET** button to store the setting in memory.
6. To calibrate the offset (P1), press and hold the **SET** button for 8 seconds on the Digital Alarm Switch. Access code value 0 should appear in the display. The switch comes from the factory with the code set at 0. AERCO recommends that you do not change this code.
7. Press the **SET** button again to enter the code. The first parameter label (**SP**) will appear in the display.
8. Using the ▲ and ▼ arrow keys, select parameter P1.
9. Press **SET** to view the value stored in memory.

Benchmark 2500/3000 Dual Fuel & Propane Boilers

CHAPTER 4 – INITIAL START-UP

Check or Adjust Digital Alarm Switch Settings – Continued

10. If the desired value is not displayed, modify the setting using the ▲ and ▼ arrow keys. The value can be changed from -10° to +10° offset. Press **SET** to enter the value and exit to the text parameter.
11. To exit the programming mode, press the **SET** and ▼ buttons simultaneously, or simply wait one minute and the display will automatically exit the programming mode.
12. Once the programming mode has been exited, the display will show the current outlet water temperature of the boiler.

CHAPTER 5: MODE OF OPERATION

5.1 INTRODUCTION

The boiler is capable of being operated in any one of six different modes. The following sections in this Chapter provide descriptions of each of these operating modes. Each boiler is shipped from the factory tested and configured for the ordered mode of operation. All temperature related parameters are at their factory default values which work well in most applications. However, it may be necessary to change certain parameters to customize the unit to the system environment. A complete listing and descriptions of the temperature related parameters are included in Appendix A. Factory defaults are listed in Appendix E. After reading this chapter, parameters can be customized to suit the needs of the specific application.

5.2 INDOOR/OUTDOOR RESET MODE

This mode of operation is based on outside air temperatures. As the outside air temperature decreases, the supply header temperature will increase and vice versa. For this mode, it is necessary to install an outside air sensor as well as select a building reference temperature and a reset ratio.

5.2.1 Reset Ratio

Reset ratio is an adjustable number from 0.1 to 9.9. Once adjusted, the supply header temperature will increase by that number for each degree that the outside air temperature decreases. For instance, if a reset ratio of 1.6 is used, for each degree that outside air temperature decreases the supply header temperature will increase by 1.6 degrees.

5.2.2 Building Reference Temperature

This is a temperature from 40°F to 230°F. Once selected, it is the temperature that the system references to begin increasing its temperature. For instance, if a reset ratio of 1.6 is used, and we select a building reference temperature of 70°F, then at an outside temperature of 69°F, the supply header temperature will increase by 1.6° to 71.6°F.

5.2.3 Outdoor Air Temperature Sensor Installation

The outdoor air temperature sensor must be mounted on the North side of the building in an area where the average outside air temperature is expected. The sensor must be shielded from the sun's direct rays, as well as direct impingement by the elements. If a cover or shield is used, it must allow free air circulation. **The sensor may be mounted up to 200 feet from the unit.** Sensor connections are made at the Input/Output (I/O) Box on the front of the boiler. Connections are made at the terminals labeled OUTDOOR AIR IN and AIR SENSOR COM inside the I/O Box. Use shielded 18 to 22 AWG wire for connections. A wiring diagram is provided on the cover of the I/O Box. Refer to Chapter 2, section 2.9.1 for additional wiring information.

5.2.4 Indoor/Outdoor Startup

Startup in the Indoor/Outdoor Reset Mode is accomplished as follows:

NOTE

A design engineer typically provides design outdoor air temperature and supply header temperature data

Benchmark 2500/3000 Dual Fuel & Propane Boilers

CHAPTER 5 – MODE OF OPERATION

Indoor/Outdoor Startup

1. Refer to the Indoor/Outdoor reset ratio charts in Appendix D.
2. Choose the chart corresponding to the desired Building Reference Temperature.
3. Go down the left column of the chart to the coldest design outdoor air temperature expected in your area.
4. Once the design outdoor air temperature is chosen, go across the chart to the desired supply header temperature for the design temperature chosen in step 3.
5. Next, go up that column to the Reset Ratio row to find the corresponding reset ratio.
6. Access the *Configuration* menu and scroll through it until the display shows **BLDG REF TEMP** (Building Reference Temperature). If necessary, refer to section 3.3 for detailed instructions on menu changing.
7. Press the **CHANGE** key. The display will begin to flash.
8. Use the **▲** and **▼** arrow keys to select the desired Building Reference Temperature.
9. Press **ENTER** to save any changes.
10. Next, scroll through the *Configuration* menu until the display shows **RESET RATIO**.
11. Press the **CHANGE** key. The display will begin to flash.
12. Use the **▲** and **▼** arrow keys to select the Reset Ratio determined in step 5.
13. Press **ENTER** to save the change.

5.3 CONSTANT SETPOINT MODE

The Constant Setpoint mode is used when a fixed header temperature is desired. Common uses of this mode of operation include water source heat pump loops, and indirect heat exchangers for potable hot water systems or processes.

No external sensors are required to operate in this mode. While it is necessary to set the desired setpoint temperature, it is not necessary to change any other temperature-related functions. The unit is factory preset with settings that work well in most applications. Prior to changing any temperature-related parameters, other than the setpoint, it is suggested that an AERCO representative be contacted. For descriptions of temperature-related functions and their factory defaults, see Appendices A and E.

5.3.1 Setting the Setpoint

The setpoint temperature of the unit is adjustable from 40°F to 240°F. To set the unit for operation in the Constant Setpoint Mode, the following menu settings must be made in the *Configuration* menu:

Menu Option	Setting
Boiler Mode	Constant Setpoint
Internal Setpt	Select desired setpoint using ▲ and ▼ arrow keys (40°F to 240°F)

Refer to section 3.3 for detailed instructions on changing menu options.

Benchmark 2500/3000 Dual Fuel & Propane Boilers

CHAPTER 5 – MODE OF OPERATION

5.4 REMOTE SETPOINT MODES

The unit's setpoint can be remotely controlled by an Energy Management System (EMS) or Building Automation System (BAS). The Remote Setpoint can be driven by a current or voltage signal within the following ranges:

- 4-20 mA/1-5 VDC
- 0-20 mA/0-5 VDC

The factory default setting for the Remote Setpoint mode is 4 - 20 mA/1 - 5 VDC. With this setting, a 4 to 20 mA/1 to 5 VDC signal, sent by an EMS or BAS, is used to change the unit's setpoint. The 4 mA/1V signal is equal to a 40°F setpoint while a 20 mA /5V signal is equal to a 240°F setpoint. When a 0 to 20 mA/0 to 5 VDC signal is used, 0 mA is equal to a 40°F setpoint.

In addition to the current and voltage signals described above, the Remote Setpoint mode can also be driven by a RS485 Modbus Network signal from an EMS or BAS.

The Remote Setpoint modes of operation can be used to drive single as well as multiple units.

NOTE

If a voltage, rather than current signal is used to control the remote setpoint, a DIP switch adjustment must be made on the PMC Board located in the Control Panel Assembly. Contact your local AERCO representative for details.

In order to enable the Remote Setpoint Mode, the following menu setting must be made in the *Configuration* menu:

Menu Option	Setting
Boiler Mode	Remote Setpoint
Remote Signal	4-20mA/1-5V, 0-20mA/0-5V, or Network

Refer to section 3.3 for detailed instructions on changing menu options.

If the Network setting is selected for RS485 Modbus operation, a valid Comm Address must be entered in the Setup menu. Refer to Modbus Communication Manual GF-114 for additional information.

While it is possible to change the settings of temperature related functions, the unit is factory preset with settings that work well in most applications. It is suggested that an AERCO representative be contacted, prior to changing any temperature related function settings. For descriptions of temperature-related functions and their factory defaults, refer to Appendices A and E.

5.4.1 Remote Setpoint Field Wiring

The only wiring connections necessary for the Remote Setpoint mode are connection of the remote signal leads from the source to the unit's I/O Box. The I/O Box is located on the front panel of the boiler. For either a 4-20mA/0-5V or a 0-20mA/0-5V setting, the connections are made at the ANALOG IN terminals in the I/O Box. For a Network setting, the connections are made at the RS485 COMM terminals in the I/O Box. The signal must be floating, (ungrounded) at the I/O Box and the wire used must be a two wire shielded pair from 18 to 22 AWG. Polarity must be observed. The source end of the shield must be connected at the source. When driving multiple units, each unit's wiring must conform to the above.

Benchmark 2500/3000 Dual Fuel & Propane Boilers

CHAPTER 5 – MODE OF OPERATION

5.4.2 Remote Setpoint Startup

Since this mode of operation is factory preset and the setpoint is being externally controlled, no startup instructions are necessary. In this mode, the REMOTE LED will light when the external signal is present.

To operate the unit in the Manual mode, press the **AUTO/MAN** switch. The REMOTE LED will go off and the MANUAL LED will light.

To change back to the Remote Setpoint mode, simply press the **AUTO/MAN** switch. The REMOTE LED will again light and the MANUAL LED will go off.

5.5 DIRECT DRIVE MODES

The unit's air/fuel valve position (% open) can be changed by a remote signal which is typically sent from an Energy Management System (EMS) or from a Building Automation System (BAS). The Direct Drive mode can be driven by a current or voltage signal within the following ranges:

- 4-20 mA/1-5 VDC
- 0-20 mA/0-5 VDC

The factory default setting for the Direct Drive mode is 4-20 mA/1-5 VDC. With this setting, a 4 to 20 mA signal, sent by an EMS or BAS is used to change the unit's valve position from 0% to 100%. A 4 mA/1V signal is equal to a 0% valve position, while a 20 mA /5V signal is equal to a 100% valve position. When a 0-20 mA/0-5 VDC signal is used, zero is equal to a 0% valve position.

In addition to the current and voltage signals described above, the Direct Drive mode can also be driven by a RS485 Modbus Network signal from an EMS or BAS.

When in a Direct Drive mode, the unit is a slave to the EMS or BAS and does not have a role in temperature control. Direct Drive can be used to drive single, or multiple units.

NOTE

If a voltage, rather than current signal is used to control the remote setpoint, a DIP switch adjustment must be made on the CPU Board located in the Control Box Assembly. Contact your local AERCO representative for details.

To enable the Direct Drive Mode, the following menu setting must be made in the *Configuration* menu:

Menu Option	Setting
Boiler Mode	Direct Drive
Remote Signal	4-20mA/1-5V, 0-20mA/0-5V, or Network

Refer to section 3.3 for instructions on changing menu options.

If the Network setting is selected for RS485 Modbus operation, a valid Comm Address must be entered in the Setup menu. Refer to Modbus Communication Manual GF-114 for additional information.

Benchmark 2500/3000 Dual Fuel & Propane Boilers

CHAPTER 5 – MODE OF OPERATION

5.5.1 Direct Drive Field Wiring

The only wiring connections necessary for Direct Drive mode are connection of the remote signal leads from the source to the unit's I/O Box. For either a 4-20mA/0-5V or a 0-20mA/0-5V setting, the connections are made at the ANALOG IN terminals in the I/O Box. For a Network setting, the connections are made at the RS485 COMM terminals in the I/O Box. The signal must be floating, (ungrounded) at the I/O Box and the wire used must be a two wire shielded pair from 18 to 22 AWG. Polarity must be observed. The source end of the shield must be connected at the source. When driving multiple units, each unit's wiring must conform to the above.

5.5.2 Direct Drive Startup

Since this mode of operation is factory preset and the valve position is being externally controlled, no startup instructions are necessary. In this mode, the **REMOTE** LED will light when the signal is present.

To operate the unit in manual mode, press the **AUTO/MAN** switch. The **REMOTE** LED will go off and the **MANUAL** LED will light.

To change back to the Direct Drive mode, simply press the **AUTO/MAN** switch. The **REMOTE** LED will again light and the **MANUAL** LED will go off.

5.6 AERCO CONTROL SYSTEM (ACS)

NOTE

ACS can utilize only RS485 signaling to the Boiler.

The ACS mode of operation is used in conjunction with an AERCO Control System. The ACS mode is used when it is desired to operate multiple units in the most efficient manner possible. For this mode of operation, an ACS Header Sensor must be installed between 2 and 10 feet downstream of the LAST boiler in the boiler plant's supply water header. The ACS can control up to 40 boilers; Up to 32 via Modbus (RS485) network communication. For ACS programming, operation and Header Sensor installation details, see ACS Operations Guide, GF-131. For operation via an RS485 Modbus network, refer to Modbus Communication Manual GF-114.

To enable the ACS Mode, the following menu settings must be made in the *Configuration* menu:

Menu Option	Setting
Boiler Mode	Direct Drive
Remote Signal	Network (RS485)

Refer to section 3.3 for instructions on changing menu options.

5.6.1 ACS External Field Wiring

Wiring connections for RS485 Modbus control are made between the 485 A- and 485 B+ terminals on the ACS (boilers 9 through 40) and the RS485 COMM terminals in the I/O Box on the front of the boilers.

Wire the units using shielded twisted pair wire between 18 and 22 AWG. Observe the proper polarity for the ACS RS485 COMM wiring connections. Shields should be terminated only at the ACS and the boiler end must be left floating. Each unit's wiring must conform to the above.

Benchmark 2500/3000 Dual Fuel & Propane Boilers

CHAPTER 5 – MODE OF OPERATION

5.6.2 ACS Setup and Startup

This mode of operation is factory preset and the ACS controls the firing rate (air/fuel valve % open position). There are no setup instructions for each individual unit.

To operate the unit in manual mode, press the **AUTO/MAN** switch. The **REMOTE** LED will go off and the **MANUAL** LED will light

To change back to the ACS mode, simply press the **AUTO/MAN** switch. The **REMOTE** LED will again light and the **MANUAL** LED will go off.

5.7 COMBINATION CONTROL SYSTEM (CCS)

NOTE

Only ACS can be utilized for the Combination Control System.

A Combination Control System (CCS) is one that uses multiple boilers to cover both space-heating and domestic hot water needs. The theory behind this type of system is that the maximum space-heating load and the maximum domestic hot water load do not occur simultaneously. Therefore, boilers used for domestic hot water are capable of switching between constant setpoint and ACS control.

For a typical CCS, an adequate number of boilers are installed to cover the space-heating load on the design-day. However, one or more units are used for the domestic hot water load as well. These boilers are the combination units and are referred to as the combo boilers. The combo boilers heat water to a constant setpoint temperature. That water is then circulated through a heat exchanger in a domestic hot water storage tank.

Only the AERCO Control System (ACS) is necessary to configure this system if only a single valve is used to switch from space heating to domestic hot water. However, the ACS Relay Panel is required in combination with the ACS when there are up to two isolation valves, boiler interlocks, and/or a Domestic Hot Water (DHW) pump in a Combination heating plant where AERCO boilers are being used for both Building Heat and Domestic Hot Water heating.

The following two options are available for using a combination system; one that uses only the ACS, and one that requires the optional ACS Relay Box:

- **OPTION 1** - This option is selected when the ACS controls a boiler plant containing up to eight combination boilers that are Domestic Hot Water Priority (DHW PRIORITY) boilers, along with building heat (BLDG HEAT) boilers, and *one* hydronic isolation valve in the main header between the BLDG HEAT boilers and the DHW PRIORITY boilers.
- **OPTION 2** – When this option is selected, the ACS Relay Panel must be used in conjunction with the ACS. For this option, the ACS controls a boiler plant containing up to eight combination boilers that are divided up into Building Priority (BLDG PRIORITY) boilers and Domestic Hot Water Priority (DHW PRIORITY) boilers, along with building heat (BLDG HEAT) boilers, and using *two* hydronic isolation valves in the main header, one between the BLDG HEAT and BLDG PRIORITY boilers, and the other between the BLDG PRIORITY and the DHW PRIORITY boilers.

In Option 2, when the space-heating load is such that when all the space-heating boilers are at the 100% valve position, the ACS will then ask the ACS Relay Box for the domestic boilers to become space-heating boilers. Provided the domestic hot water load is satisfied, the combo (hot water) boilers will then become space-heating boilers. If the domestic hot water load is not satisfied, the combo boiler(s) remain on the domestic hot water load. If the combo boilers switch

Benchmark 2500/3000 Dual Fuel & Propane Boilers

CHAPTER 5 – MODE OF OPERATION

over to space heating, but there is a call for domestic hot water, the ACS Relay Box switches the combo units back to the domestic load. The ACS in combination with the ACS Relay Box will ask the BLDG PRIORITY boilers to help with domestic hot water heating if the DHW PRIORITY boilers are not able to satisfy the domestic hot water demand.

When the combo units are satisfying the domestic load, they are in the constant setpoint mode of operation. When the combo units switch over to space heating, their mode of operation changes to follow the ACS command. For more information concerning the operation of the ACS, consult the ACS Operations Guide, GF-131. For more information on the ACS Relay Box, see section 2.14 in the same manual.

5.7.1 Combination Control System Field Wiring

Wiring for this system is between the ACS, the ACS Relay Box, and the terminals in the I/O Box. Wire the units using a shielded twisted pair of 18 to 22 AWG wire. When wiring multiple units, each unit's wiring must conform to the above.

5.7.2 Combination Control System Setup and Startup

Setup for the Combination Mode requires entries to be made in the *Configuration* menu for boiler mode, remote signal type and setpoint. The setpoint is adjustable from 40°F to 190°F.

Enter the following settings in the *Configuration* menu:

Menu Option	Setting
Boiler Mode	Combination
Remote Signal	Network
Internal Setpt	40°F to 190°F

Refer to section 3.3 for instructions on changing menu options.

While it is possible to change other temperature-related functions for combination mode, these functions are preset to their factory default values. These default settings work well in most applications. It is suggested that AERCO be contacted prior to changing settings other than the unit's setpoint. For a complete listing of temperature related function defaults, see Appendix E.

To set the unit to the manual mode, press the **AUTO/MAN** switch. The MANUAL LED will light.

To set the unit back to the auto mode, press the **AUTO/MAN** switch. The MANUAL LED will go off and the REMOTE LED will light.

When the boiler is switched to ACS control, the ACS controls the valve position. There are no setup requirements to the boiler(s) in this mode.

Benchmark 2500/3000 Dual Fuel & Propane Boilers

CHAPTER 5 – MODE OF OPERATION

(This Page Is Intentionally Blank)

CHAPTER 6: SAFETY DEVICE TESTING

6.1 TESTING OF SAFETY DEVICES

Periodic safety device testing is required to ensure that the control system and safety devices are operating properly. The boiler control system comprehensively monitors all combustion-related safety devices before, during and after the start sequence. The following tests check to ensure that the system is operating as designed.

Operating controls and safety devices should be tested on a regular basis or following service or replacement. All testing must conform to local codes such as ASME CSD-1.

NOTES

- MANUAL and AUTO modes of operation are required to perform the following tests. For a complete explanation of these modes, see Chapter 3.
- It will be necessary to remove the front door and side panels from the unit to perform the following tests.

WARNING!

Electrical voltages in this system may include 208-230 or 460, 120 and 24 volts AC. Power must be removed prior to performing wire removal or other test procedures that can result in electrical shock.

Benchmark 2500/3000 Dual Fuel & Propane Boilers

CHAPTER 6 – SAFETY DEVICE TESTING

6.2 LOW GAS PRESSURE FAULT TEST

Refer to Figure 6-1A and ensure that the ball valve located at the low gas pressure switch is closed.

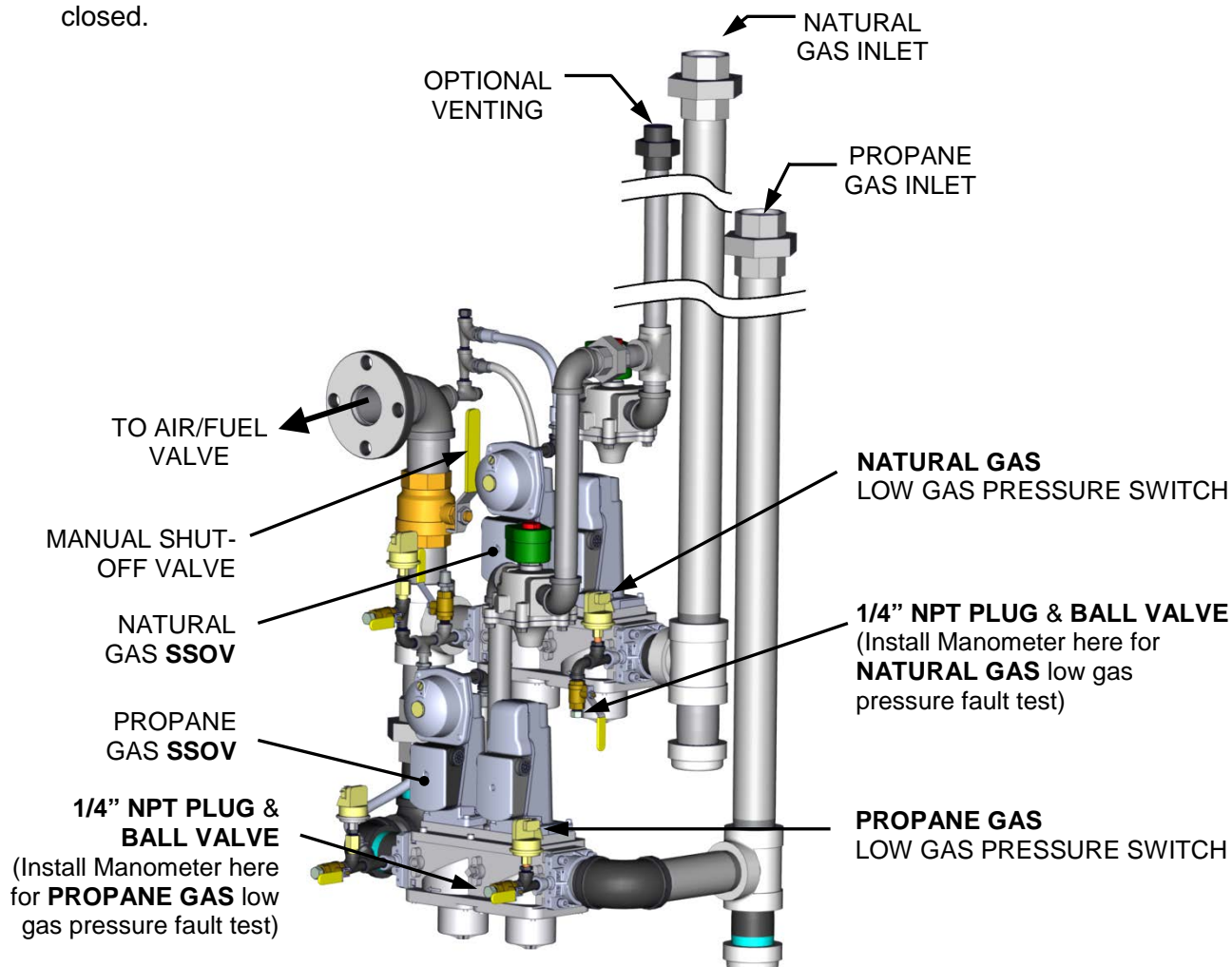


Figure 6-1A: Low Gas Pressure Test (BMK 3000DF DBB Gas Train Pictured)

Low Gas Pressure Fault Test

1. Remove the 1/4" plug from the appropriate (Natural Gas or Propane) ball valve at the associated Low Gas Pressure switch as shown in Figure 6-1A.
2. Install a 0 – 16" W.C. manometer or a W.C. gauge where the 1/4" plug was removed.
3. Slowly open the ball valve near the Low Gas Pressure switch.
4. Place the unit in MANUAL mode and adjust the Air/Fuel Valve position (% open) **between 25 and 30%**.
5. While the unit is firing, slowly close the external manual gas shut-off valve.
6. The unit should shut down and display a **GAS PRESSURE FAULT** message at:
 - BMK3000 DF = Approx. **7.5" W.C.** for Natural Gas and **2.6" W.C.** for Propane Gas.
 - BMK2500 DF = Approx. **7.5" W.C.** for Natural Gas and **3.6" W.C.** for Propane Gas.The **FAULT** indicator should also start flashing.

Benchmark 2500/3000 Dual Fuel & Propane Boilers

CHAPTER 6 – SAFETY DEVICE TESTING

Low Gas Pressure Fault Test – Continued

7. Fully open the external manual gas shut-off valve and press the **CLEAR** button on the Control Box.
8. The fault message should clear and the **FAULT** indicator should go off. The unit should restart.
9. Upon test completion, close the ball valve and remove the manometer. Replace the 1/4" plug removed in step 1.

6.3 HIGH GAS PRESSURE TEST

To simulate a high gas pressure fault, refer to Figure 6-1B and perform the following steps:

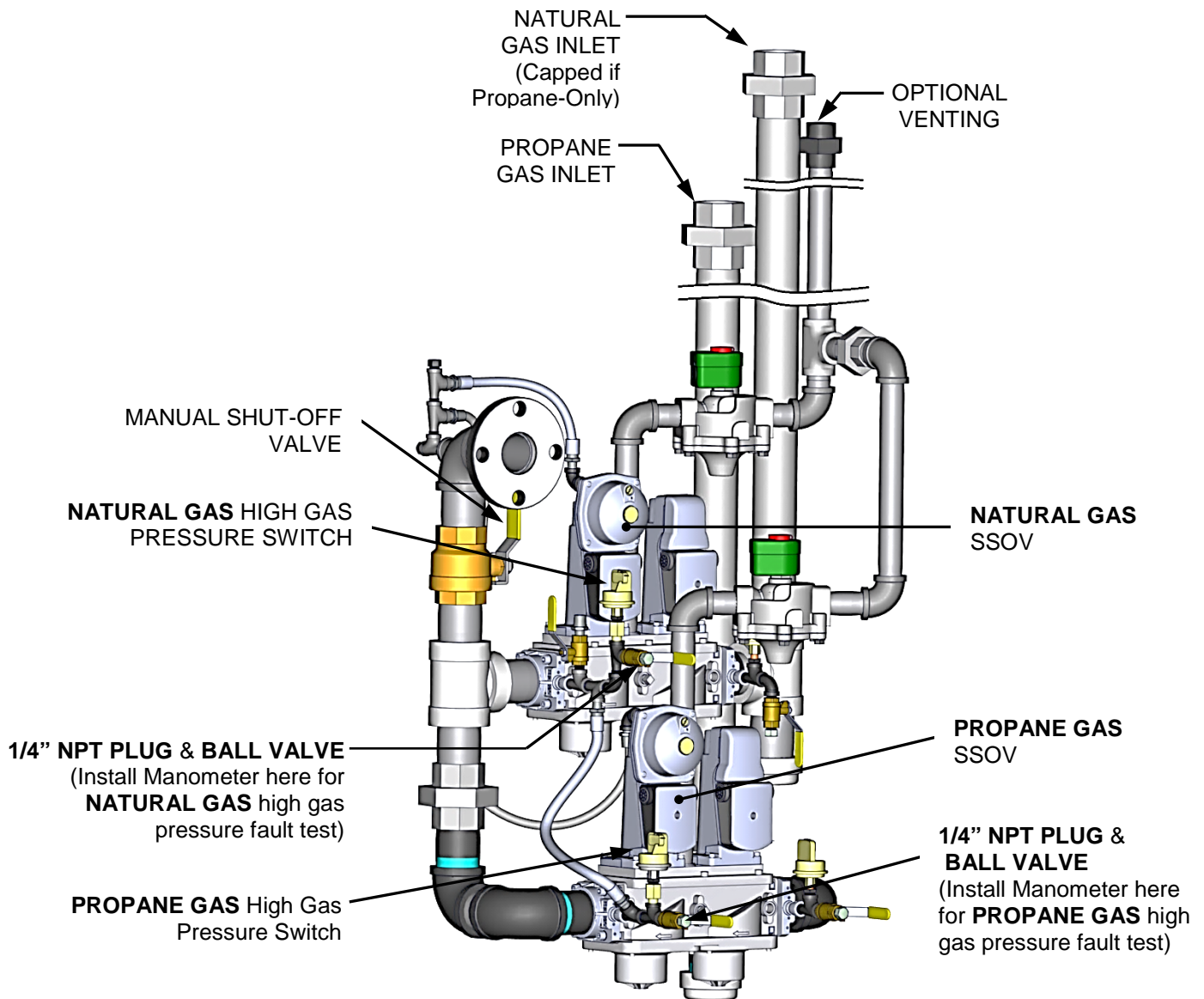


Figure 6-1B: High Gas Pressure Test (BMK 3000DF DBB Gas Train Pictured)

Benchmark 2500/3000 Dual Fuel & Propane Boilers

CHAPTER 6 – SAFETY DEVICE TESTING

High Gas Pressure Test (Propane and Natural Gas)

1. Remove the 1/4" plug from the appropriate ball valve (Natural Gas or Propane) at the associated high gas pressure switch as shown in Figure 6-1B.
2. Install a 0 – 16" W.C. manometer (or W.C. gauge) where the 1/4" plug was removed.
3. Slowly open the ball valve near the high gas pressure switch.
4. Start the unit in Manual mode at a valve position (firing rate) between 25 and 30%.
5. With the unit running, monitor the gas pressure on the manometer installed in step 2 and record the gas pressure reading.
6. Slowly increase the gas pressure using the adjustment screw on the associated SSOV (see Figure 6-1B).
7. The unit should shut down and display a **GAS PRESSURE FAULT** message (the **FAULT** indicator also starts flashing) when the gas pressure exceeds the following:
 - **BMK3000 DF** = Approx. 6.6" W.C. for Natural Gas and 2.6" W.C. for Propane Gas.
 - **BMK2500 DF** = Approx. 7.0" W.C. for Natural Gas and 3.0" W.C. for Propane Gas.
8. Reduce the gas pressure back to the value recorded in step 5. This pressure should be within the following ranges:
 - **BMK3000 DF** = Approx. **6.0" W.C. (± 0.2")** for Natural Gas and **1.6" W.C. (± 0.2" W.C.)** for Propane Gas.
 - **BMK2500 DF** = Approx. **6.0" W.C. (± 0.2")** for Natural Gas and **2.0" W.C. (± 0.2" W.C.)** for Propane Gas.
9. Press the **CLEAR** button on the Control Box to clear the fault.
10. The fault message should clear and the **FAULT** indicator should go off. The unit should restart.
11. Upon test completion, close the ball valve and remove the manometer. Replace the 1/4" plug removed in step 1.

6.4 LOW WATER LEVEL FAULT TEST

To simulate a low water level fault, proceed as follows:

Low Water Level Fault

1. Set the ON/OFF switch to the **OFF** position
2. Close the water shut-off valves in the supply and return piping to the unit.
3. Slowly open the drain valve on the rear of the unit. If necessary the unit's relief valve may be opened to aid in draining.
4. Continue draining the unit until a **LOW WATER LEVEL** fault message is displayed and the **FAULT** indicator flashes.
5. Place the unit in the Manual Mode and raise the valve position above 30%.
6. Set the ON/OFF switch to the **ON** position. The **READY** light should remain off and the unit should not start. If the unit does start, shut the unit off immediately and refer fault to qualified service personnel.
7. Close the drain and pressure relief valve used in draining the unit.

Benchmark 2500/3000 Dual Fuel & Propane Boilers

CHAPTER 6 – SAFETY DEVICE TESTING

Low Water Level Fault – Continued

8. Open the water shut-off valve in the return piping to the unit.
9. Open the water supply shut-off valve to the unit to refill.
10. After the shell is full, press the **LOW WATER LEVEL RESET** button to reset the low water cutoff.
11. Press the **CLEAR** button to reset the FAULT LED and clear the displayed error message.
12. Set the ON/OFF switch to the **ON** position. The unit is now ready for operation.

6.5 WATER TEMPERATURE FAULT TEST

A high water temperature fault is simulated by adjusting the automatic over-temperature switch. This switch is accessible from the front of the unit as shown in Figure 6-2.

Water Temperature Fault Test

1. Start the unit in the normal operating mode. Allow the unit to stabilize at its setpoint.
2. Lower the adjustable over-temperature switch setting to match the displayed **OUTLET TEMPERATURE**.
3. Once the adjustable over-temperature switch setting is approximately at, or just below, the actual outlet water temperature, the unit should shut down. The FAULT indicator should start flashing and a **HIGH WATER TEMP SWITCH OPEN** fault message should be displayed. It should not be possible to restart the unit.
4. Reset the adjustable over-temperature switch to its original setting.
5. The unit should start once the adjustable temperature limit switch setting is above the actual outlet water temperature.
6. Once the adjustable over-temperature switch setting is approximately at, or just below, the actual outlet water temperature, the unit should shut down. The FAULT indicator should start flashing and a **HIGH WATER TEMP SWITCH OPEN** fault message should be displayed. It should not be possible to restart the unit.
7. Reset the adjustable over-temperature switch to its original setting.
8. The unit should start once the adjustable temperature limit switch setting is above the actual outlet water temperature.

Benchmark 2500/3000 Dual Fuel & Propane Boilers

CHAPTER 6 – SAFETY DEVICE TESTING

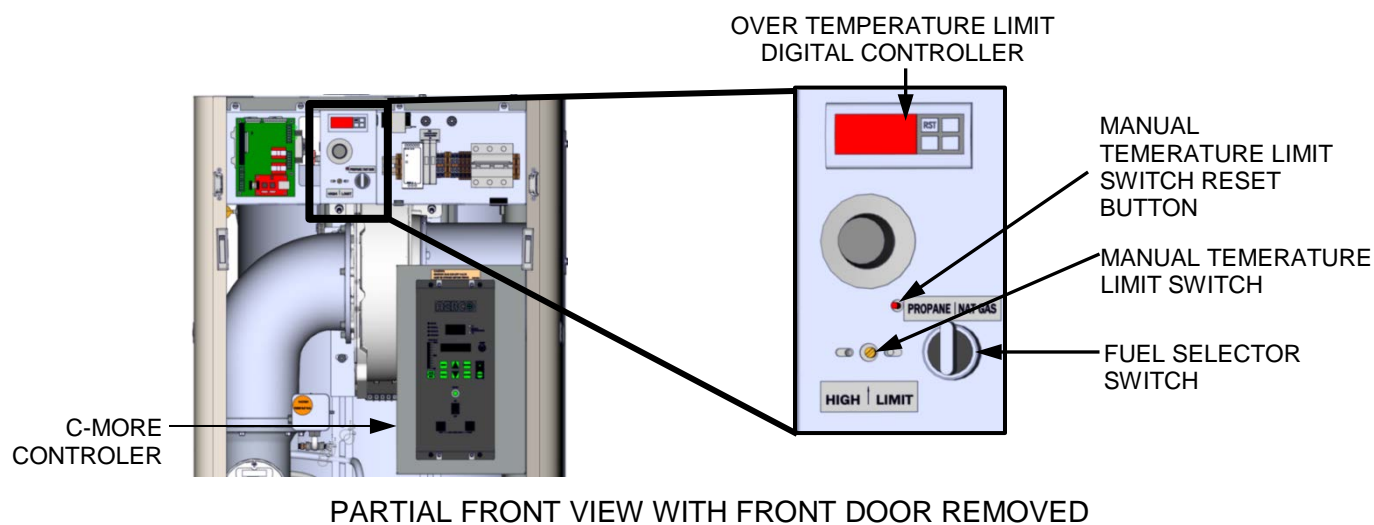


Figure 6-2: Temperature Limit Switch Location and Setting

6.6 INTERLOCK TESTS

The unit is equipped with two interlock circuits called the Remote Interlock and Delayed Interlock. Terminal connections for these circuits are located in the I/O Box (Figure 2-12) and are labeled REMOTE INTL'K IN and DELAYED INTL'K IN. These circuits can shut down the unit in the event that an interlock is opened. These interlocks are shipped from the factory jumpered (closed). However, each of these interlocks may be utilized in the field as a remote stop and start, an emergency cut-off, or to prove that a device such as a pump, gas booster, or louver is operational.

6.6.1 Remote Interlock Test

Remote Interlock Test

1. Remove the cover from the I/O Box and locate the REMOTE INTL'K IN terminals.
2. Start the unit in the Manual Mode and set the valve position between 25% and 30%.
3. If there is a jumper across the REMOTE INTL'K IN terminals, remove one side of the jumper. If the interlock is being controlled by an external device, either open the interlock via the external device or disconnect one of the wires leading to the external device.
4. The unit should shut down and display **INTERLOCK OPEN**.
5. Once the interlock connection is reconnected, the **INTERLOCK OPEN** message should automatically clear and the unit should restart.

Benchmark 2500/3000 Dual Fuel & Propane Boilers

CHAPTER 6 – SAFETY DEVICE TESTING

6.6.2 Delayed Interlock Test

Delayed Interlock Test

1. Remove the cover from the I/O Box and locate the DELAYED INTL'K IN terminals.
2. Start the unit in the Manual Mode at a valve position between 25% and 30%.
3. If there is a jumper across the DELAYED INTL'K IN terminals, remove one side of the jumper. If the interlock is connected to a proving switch of an external device, disconnect one of the wires leading to the proving switch.
4. The unit should shut down and display a **DELAYED INTERLOCK OPEN** fault message. The **FAULT LED** should be flashing.
5. Reconnect the wire or jumper removed in step 3 to restore the interlock.
6. Press the **CLEAR** button to reset the fault
7. The unit should start.

6.7 FLAME FAULT TESTS

Flame faults can occur during ignition or while the unit is already running. To simulate each of these fault conditions, proceed as follows:

Flame Fault Tests

1. Set the ON/OFF switch to the **OFF** position.
2. Place the unit in the Manual Mode and set the valve position between 25% and 30%.
3. Close the Manual Gas Shutoff Valve located between the Safety Shut-Off Valve (SSOV) and the Air/Fuel Valve (see Figure 6-3).
4. Set the ON/OFF switch to the **ON** position to start the unit.
5. The unit should purge and light the Pilot Flame, then it should shut down after reaching the main burner ignition cycle and display **FLAME LOSS DURING IGN.**
6. Open the valve previously closed in step 3 and press the **CLEAR** button.
7. Restart the unit and allow it to prove flame.
8. Once flame is proven, close the manual gas valve located between the SSOV (Figure 6-3) and the Air/Fuel Valve.
9. The unit should shut down and Lockout, flashing **FLDR** in the display.
10. Open the valve previously closed in step 8.
11. Press the **CLEAR** button. The unit should restart and fire.

Benchmark 2500/3000 Dual Fuel & Propane Boilers

CHAPTER 6 – SAFETY DEVICE TESTING

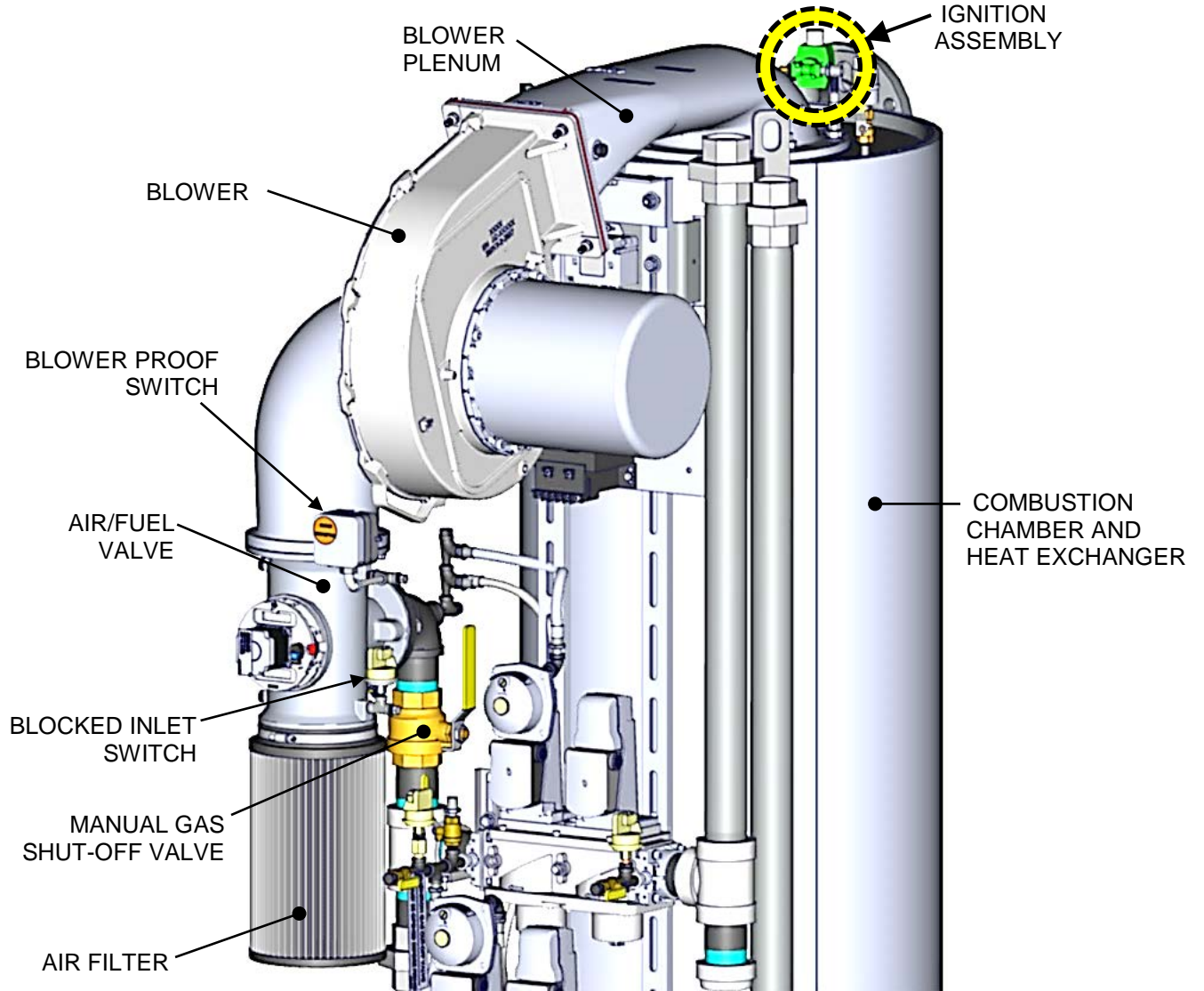


Figure 6-3: Bare Boiler – Partial View (BMK 3000DF Pictured)

Benchmark 2500/3000 Dual Fuel & Propane Boilers

CHAPTER 6 – SAFETY DEVICE TESTING

6.8 AIR FLOW FAULT TESTS

These tests check the operation of the Blower Proof Switch and Blocked Inlet Switch shown in Figure 6-3.

6.8.1 Blower Proof Switch Test

Blower Proof Switch Test

1. Disable the blower output drive voltage as follows:
 - (a) Press the **MENU** key until **CONFIGURATION MENU** is displayed.
 - (b) Press the **▲** arrow key until the **ANALOG OUTPUT** function is displayed, then press the **CHANGE** key.
 - (c) Press the **▼** arrow key until **OFF** is displayed, then press the **ENTER** key.
2. Start the unit in the **MANUAL** mode at a valve position **between 25% and 30%**.
3. The unit should shut down and lockout, showing **AIRFLOW FAULT DURING PURGE** in the display.
4. The unit should perform one **IGNITION RETRY** cycle and then shut down, since the blower is disabled. The unit will then display **AIRFLOW FAULT DURING PURGE**.
5. Re-enable the blower output drive voltage by performing the following steps:
 - (a) Press the **MENU** key until **CONFIGURATION MENU** is displayed.
 - (b) Press the **▲** arrow key until the **ANALOG OUTPUT** function is displayed, then press the **CHANGE** key.
 - (c) Press the **▲** arrow key until **VALVE POSITION 0-10V** is displayed, then press the **ENTER** key.
 - (d) Press the **CLEAR** button to clear the airflow fault.
6. Once the unit has proved flame, turn off the blower again by going to the *Configuration* menu, *Analog Output* menu item and select **OFF**.
7. The Blower Proof Switch will open and the blower should stop. The unit should shut down and display **AIRFLOW FAULT DURING RUN**.
8. Go to the *Configuration* menu, *Analog Output* item and select **VALVE POSITION 0-10v**.

6.8.2 Blocked Inlet Switch Test

This test will be run in simulated fire mode, with the Blocked Inlet Switch isolated from the rest of the control circuitry.

Blocked Inlet Switch Test

1. Turn the main ON/OFF switch on the front of the Control Panel to **OFF**.
2. For units that get combustion air from a Combustion Air Duct, remove that duct, located on the rear panel of the boiler (see Figure 6.4, below). For units that have an air filter in place of a Combustion Air Duct (not shown), remove the air filter.

Benchmark 2500/3000 Dual Fuel & Propane Boilers

CHAPTER 6 – SAFETY DEVICE TESTING

Blocked Inlet Switch Test – Continued

WARNING!

The Blower suction is very strong and can pull nearby objects into the Blower's fan blades. Do not allow anything to be pulled into the Blower. Do not wear anything that could get caught and pull you into the blower.

3. Turn off the gas supply ball valve to the boiler and then complete the following steps:
 - (a) Use jumper wires to jump out the Low Gas Pressure Switch and the Blower Proof Switch.
 - (b) Remove the black connector boot from the Flame Detector.
 - (c) Connect the Flame Signal Generator to the black connector boot.

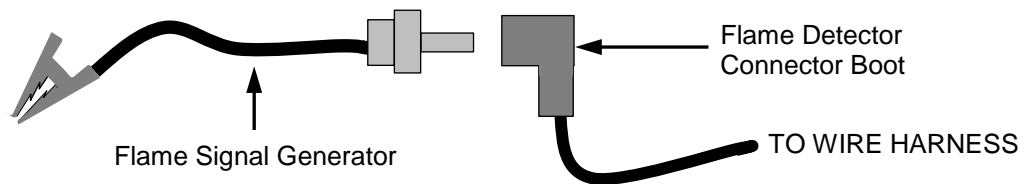


Figure 6.3a: Connecting the Flame Signal Generator

- (d) Keep the alligator clip away from bare metal parts until step 4c.
4. Complete the following with the boiler operating in Manual mode:
 - (a) Ramp the boiler up to 100% fire rate and then turn on the main ON/OFF switch on the front of the Control Panel.
 - (b) Push the **BACK** button three (3) times to return to the upper level menu.
 - (c) When the Controller gets into the ignition phase, the Control Panel will show **IGNITION TRIAL**. At that point attach the alligator clip (see Figure 6.3a) to any bare metal surface or ground. The C-More display should now show **FLAME PROVEN** and begin to ramp up to 100% fire rate. Note that no gas or flame is present in the boiler at this time.
5. Wait for the boiler to ramp up to at least 90% before continuing.
6. Cover the combustion air inlet opening with a solid, flat object, such as a piece of thick plywood or a thick metal plate.
7. The unit should shut down and display **AIRFLOW FAULT DURING RUN**. This step confirms proper operation of the Blocked Inlet Switch.
8. Remove the cover from the air inlet opening and reinstall the Combustion Air Duct or air filter.
9. Remove the jumper wires installed in step 2 and replace the black connector boot on the Flame Detector.
10. Press the **CLEAR** button. The unit should restart.

Benchmark 2500/3000 Dual Fuel & Propane Boilers

CHAPTER 6 – SAFETY DEVICE TESTING

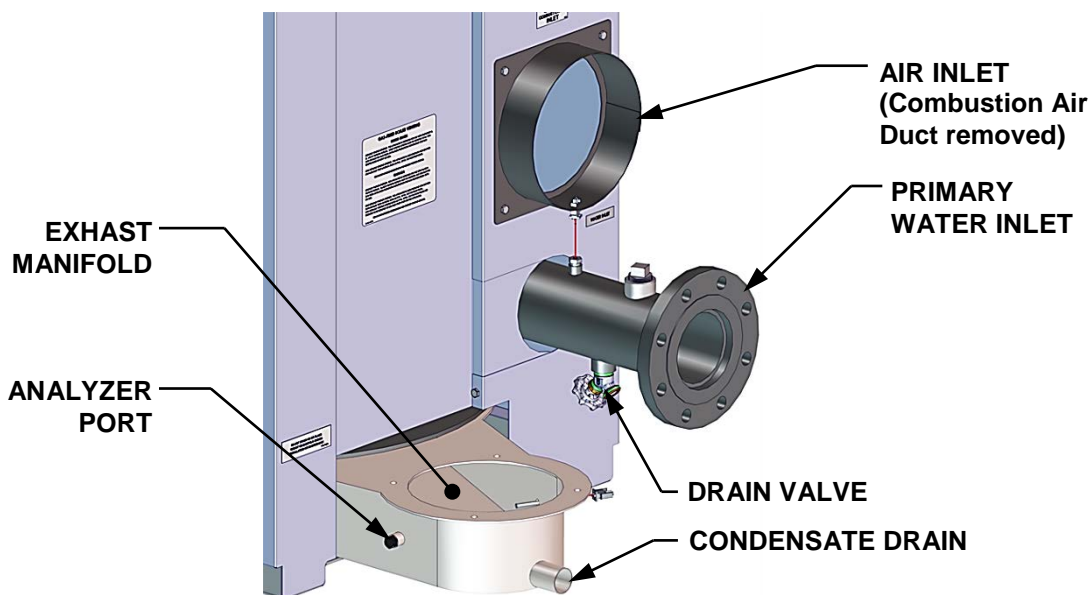


Figure 6-4: Boiler Rear View Showing Air Inlet Location

6.9 SSOV PROOF OF CLOSURE SWITCH

The SSOV shown in Figure 6-1 contains the proof of closure switch. The proof of closure switch circuit is checked as follows:

SSOV Proof of Closure Switch

1. Set the unit's ON/OFF switch to the **OFF** position.
2. Place the unit in MANUAL mode and set the valve position **between 25% and 30%**.
3. Refer to Figure 6-1 and locate the SSOV.
4. Remove the cover from the SSOV by loosening the screw shown in Figure 6-5. Lift off the cover to access the terminal wiring connections.
5. Disconnect wire #148 from the SSOV to "open" the proof of closure switch circuit.
6. The unit should fault and display **SSOV SWITCH OPEN**.
7. Replace wire #148 and press the **CLEAR** button.
8. Set the ON/OFF switch to the **ON** position to start the unit.
9. Remove the wire again when the unit reaches the purge cycle and **PURGING** is displayed.
10. The unit should shut down and display **SSOV FAULT DURING PURGE**.
11. Replace the wire on the SSOV and press the **CLEAR** button. The unit should restart.

Benchmark 2500/3000 Dual Fuel & Propane Boilers

CHAPTER 6 – SAFETY DEVICE TESTING

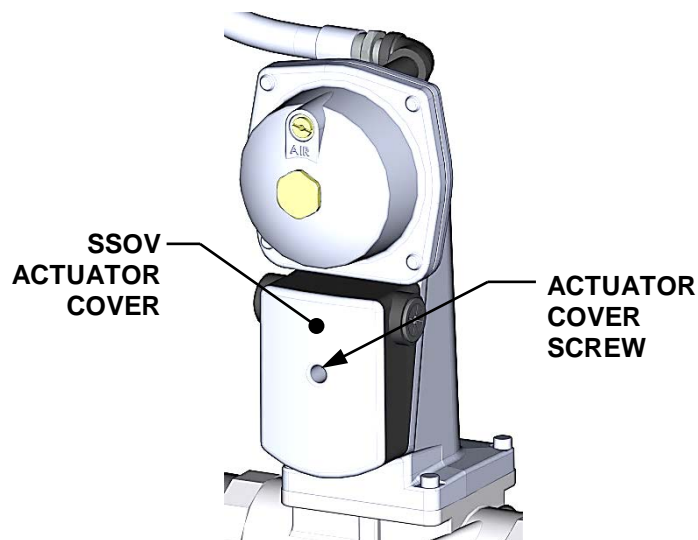


Figure 6-5: SSOV Actuator Cover Location

6.10 PURGE SWITCH OPEN DURING PURGE

The Purge Switch (and Ignition Switch) is located on the Air/Fuel Valve. To check the switch, proceed as follows:

Purge Switch Open During Purge

1. Set the unit's ON/OFF switch to the **OFF** position.
2. Place the unit in MANUAL mode and set the valve position **between 25% and 30%**.
3. Remove the Air/Fuel Valve cover by rotating the cover counterclockwise to unlock it (see Figure 6-6).
4. Remove one of the two wires (#171 or #172) from the Purge Switch (Figure 6-6).
5. Initiate a unit start sequence.
6. The unit should begin its start sequence, then shut down and display **PRG SWITCH OPEN DURING PURGE**.
7. Replace the wire on the Purge Switch and depress the **CLEAR** button. The unit should restart.

Benchmark 2500/3000 Dual Fuel & Propane Boilers

CHAPTER 6 – SAFETY DEVICE TESTING

6.11 IGNITION SWITCH OPEN DURING IGNITION

The Ignition Switch (and the Purge Switch) is located on the Air/Fuel Valve. To check the switch, proceed as follows:

Ignition Switch Open During Ignition

1. Set the unit's ON/OFF switch to the **OFF** position.
2. Place the unit in MANUAL mode and set the valve position **between 25% and 30%**.
3. Remove the Air/Fuel Valve cover (Figure 6-6) by rotating the cover counterclockwise to unlock and lift up to remove.
4. Remove one of the two wires (#169 or #170) from the Ignition Switch (Figure 6-7).
5. Initiate a unit start sequence.
6. The unit should begin its start sequence and then shut down and display **IGN SWITCH OPEN DURING IGNITION**.
7. Replace the wire on the Ignition Switch and press the **CLEAR** button. The unit should restart.

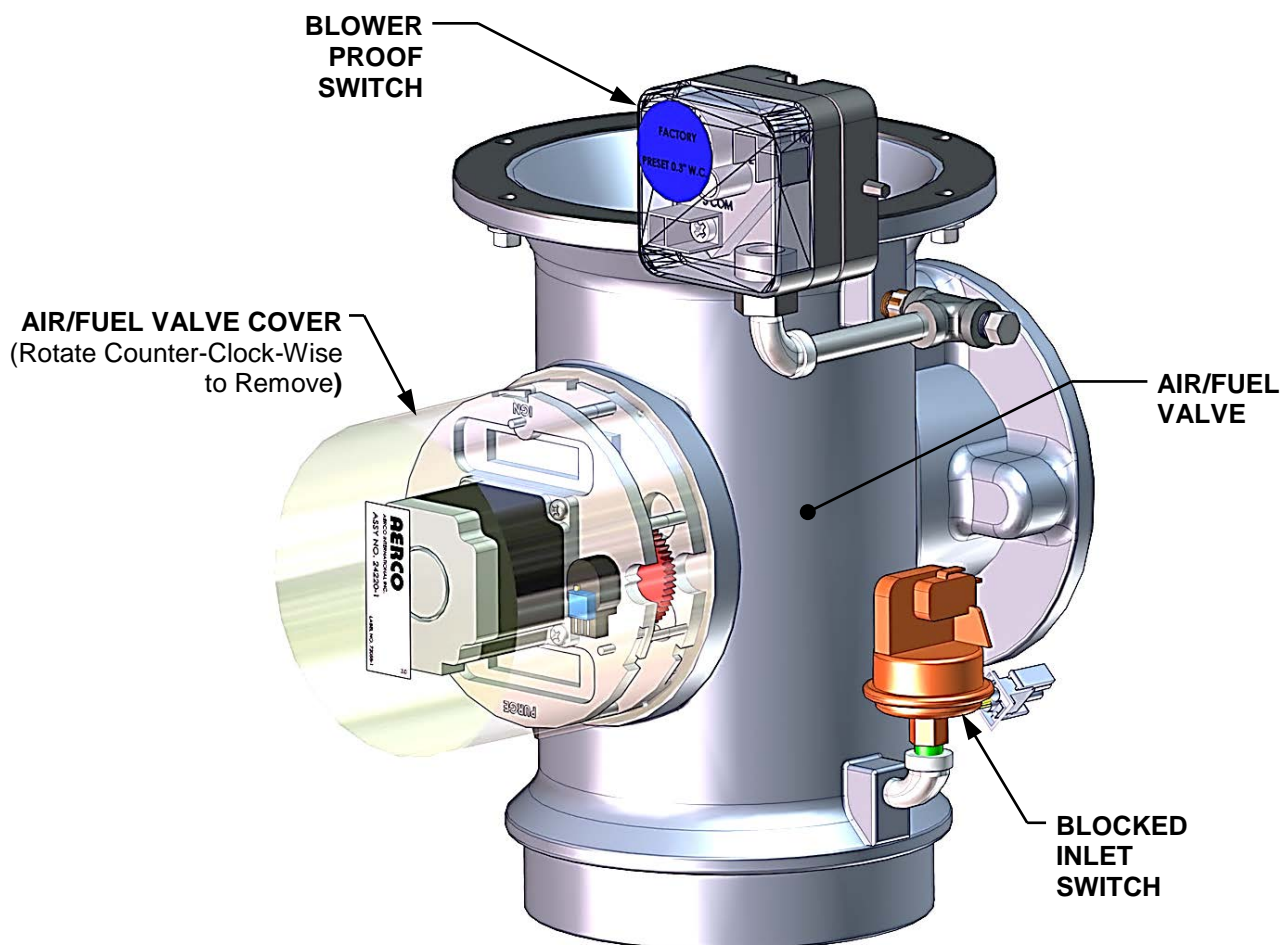


Figure 6-6: Air/Fuel Valve Cover Location

Benchmark 2500/3000 Dual Fuel & Propane Boilers

CHAPTER 6 – SAFETY DEVICE TESTING

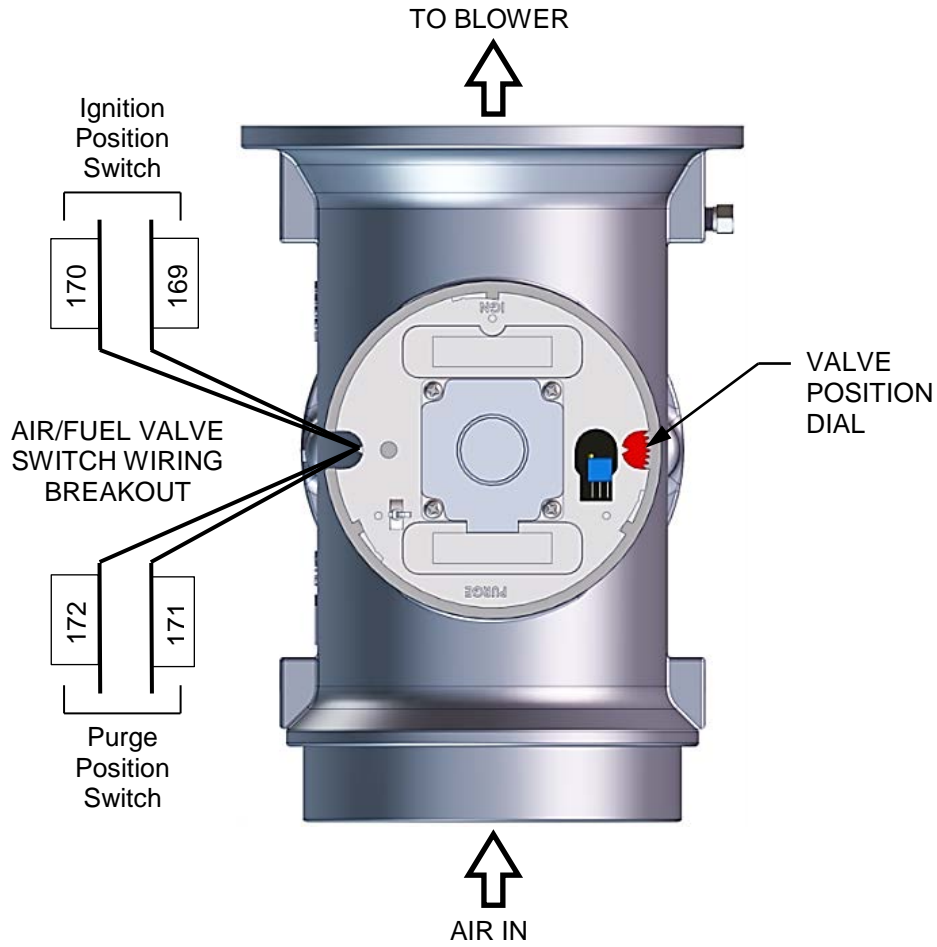


Figure 6-7: Air/Fuel Valve Purge and Ignition Switch Locations

6.12 SAFETY PRESSURE RELIEF VALVE TEST

Test the safety Pressure Relief Valve in accordance with ASME Boiler and Pressure Vessel Code, Section VI.

Benchmark 2500/3000 Dual Fuel & Propane Boilers

CHAPTER 7 – MAINTENANCE

CHAPTER 7: MAINTENANCE

7.1 MAINTENANCE SCHEDULE

The unit requires regular routine maintenance to keep up efficiency and reliability. For best operation and life of the unit, the following routine maintenance procedures should be performed in the time periods specified in Table 7-1. For a complete inspection check list see ASME CSD-1 chart.

In order to perform the maintenance tasks specified in Table 7-1, the following maintenance kits are available through your local AERCO Sales Representative:

- Annual Maintenance Kit, P/N **58025-01**
- 24-Month Waterside/Fireside Inspection Kit, P/N **58025-10** (See NOTE below)

NOTE

The 24-Month Waterside/Fireside Inspection Kit also includes the items contained in the Annual Maintenance Kit (P/N **58025-01**). Therefore, only Kit P/N **58025-10** is required when performing the waterside/fireside inspections. Refer to Appendix L for recommended spare

WARNING!

To avoid personal INJURY, prior to servicing ENSURE THAT THE FOLLOWING GUIDELINES ARE STRICTLY OBSERVED:

- Disconnect the AC supply by turning off the service switch and AC supply circuit breaker.
- Shut off the gas supply at the manual shut-off valve provided with the Unit
- Allow the Unit to cool to a safe water temperature to prevent burning or scalding

Table 7-1: Maintenance Schedule

Section	Item	6 Mos.	12 Mos.	24 Mos.	Labor Time
7.2	Igniter-Injector Kit (P/N 58023)	*Inspect	Inspect	Replace	15 mins.
7.3	Flame Detector Kit (P/N 24356-1)	*Inspect	Inspect	Replace	15 mins.
7.4	Lean O ₂ Sensor (P/N 61026)	*Inspect	Inspect	-	15 mins.
4.3 & 4.4	Combustion Calibration	*Check	Check	-	1 hr.
7.5	Testing of Safety Devices	-	See ASME CSD-1 Chart	-	45 mins.
7.6	Burner	-	-	Inspect	2 hrs.
7.7	Condensate Drain Trap	*Inspect	Inspect, Clean & Replace Gaskets	Inspect, Clean & Replace Gaskets	30 mins.
7.8	Air Filter (P/N 88014)	-	Clean	Replace	15 mins.
7.9	12V Cabinet Exhaust Fan	Inspect	Inspect	Inspect	Inspect
7.10	Low Water Cutoff (LWCO) Probe Capacitor	-	Test	Replace & Test	15 mins.

* Only performed after initial 6 month period after initial startup.

Benchmark 2500/3000 Dual Fuel & Propane Boilers

CHAPTER 7 – MAINTENANCE

7.2 IGNITER-INJECTOR

The igniter-injector (kit P/N **58023**) is located on the burner plate at the top of the boiler. In addition to providing the ignition spark required to light the burner, the igniter-injector also contains a gas injector tube which connects to the staged ignition assembly. Figure 7-1 shows the complete burner assembly removed from the boiler and indicates the location of the igniter-injector flame detector and other related components.

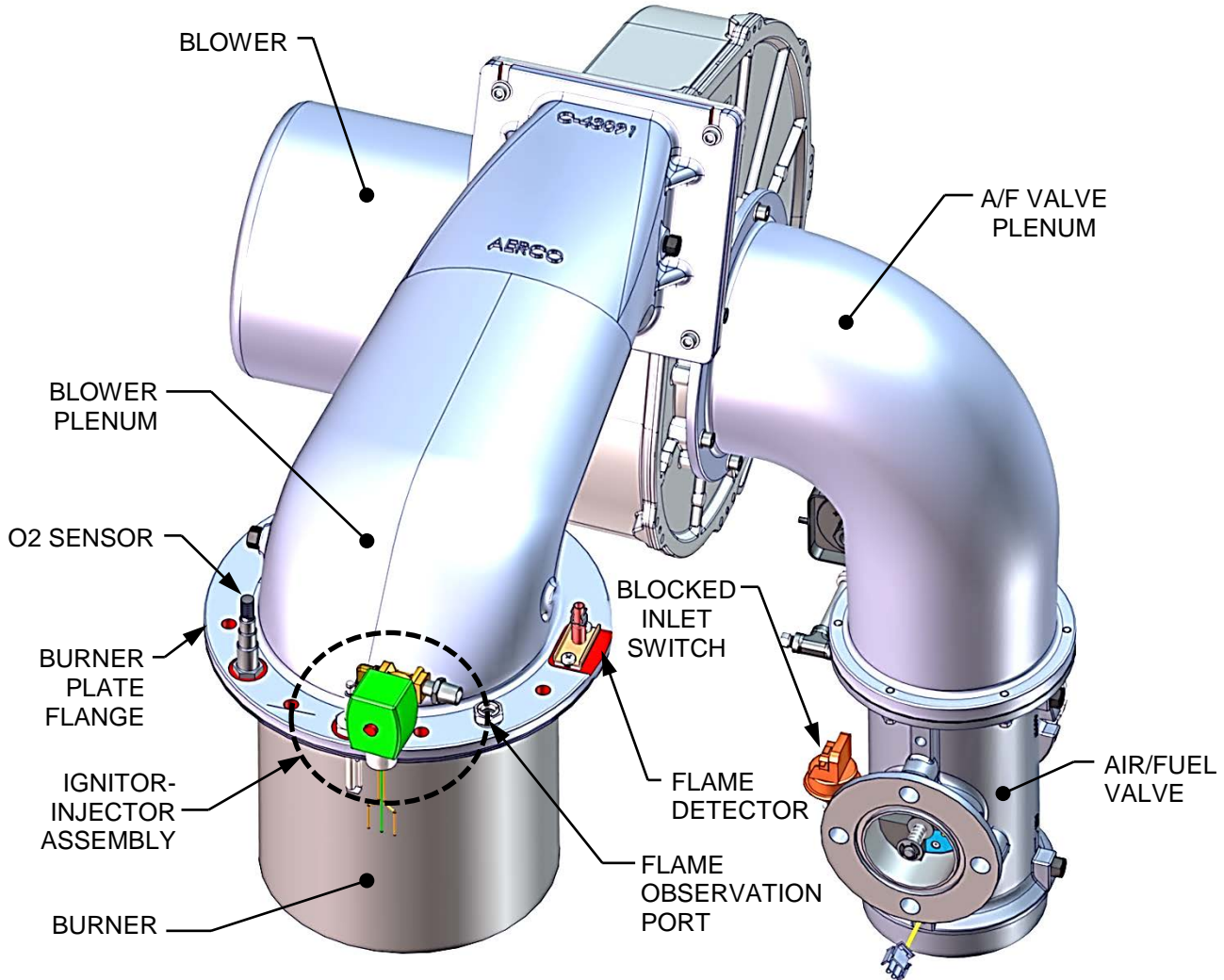


Figure 7-1: Benchmark Burner Assembly (Removed from Boiler Enclosure)

The igniter-injector may be hot, therefore, care should be exercised to avoid burns. It is easier to remove the igniter-injector from the unit after the unit has cooled to room temperature. To inspect/replace the Igniter:

Benchmark 2500/3000 Dual Fuel & Propane Boilers

CHAPTER 7 – MAINTENANCE

Igniter-Injector Maintenance Procedures

1. Set the ON/OFF switch on the control panel, to the **OFF** position. Disconnect AC power from the unit
2. Remove the top shroud from the unit by grasping the top handle and lifting straight up. This will disengage the shroud from the four (4) pins in the side panels.
3. Disconnect the cable from the igniter-injector (Figure 7-1).
4. Refer to the partial exploded view in Figure 7-2. Using a 7/16" open-end wrench, disconnect the compression nut securing the gas injector tube of the igniter-injector to the elbow of the staged ignition assembly. Disconnect the staged ignition assembly from the igniter-injector.
5. Next, loosen and remove the igniter-injector from the burner plate using a 1" open-end wrench.
6. Check the igniter-injector for evidence of erosion or carbon build-up. If there is evidence of substantial erosion or carbon build-up, the igniter-injector should be replaced. If carbon build-up is present, clean the component using fine emery cloth. Repeated carbon build-up is an indication that the combustion settings of the unit should be checked. Refer to Chapter 4 for combustion calibration procedures.

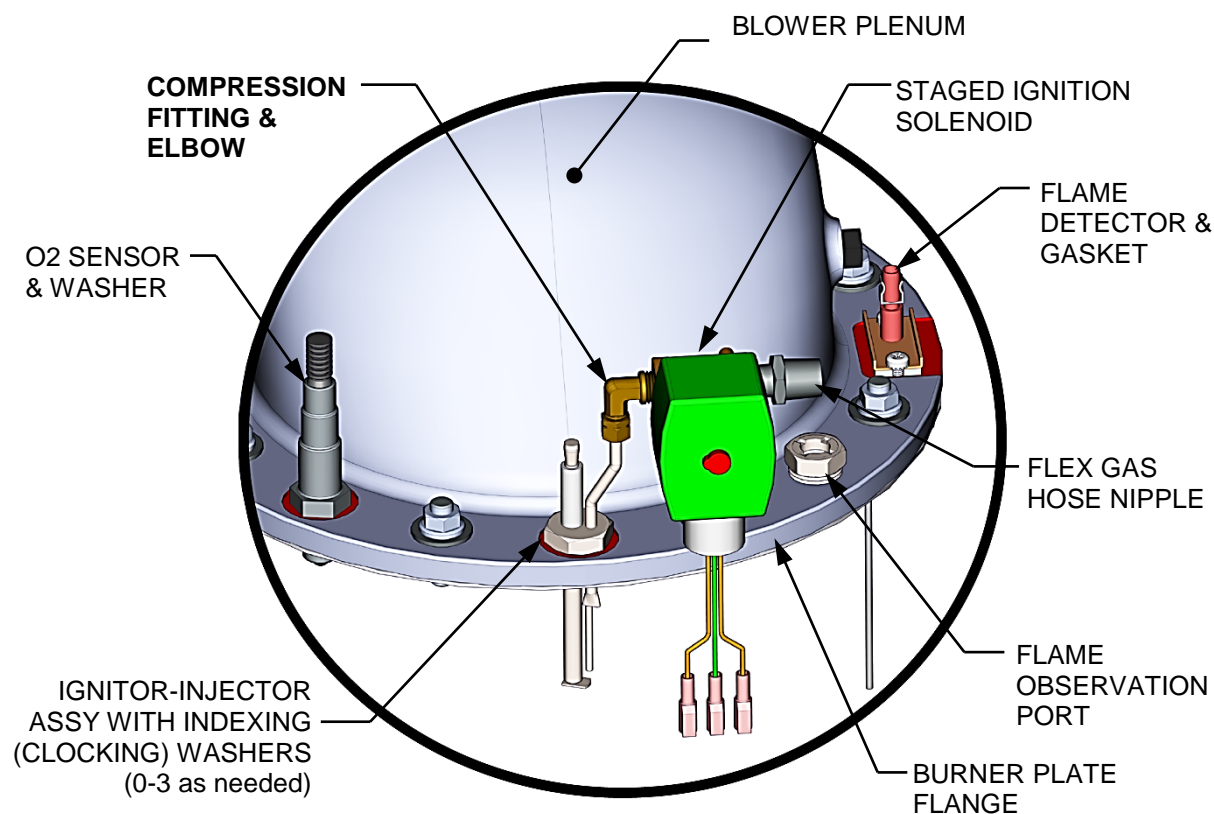


Figure 7-2. Igniter-Injector & Flame Detector Mounting Details

7. Next, loosen and remove the igniter-injector from the burner plate using a 1" open-end wrench.

Benchmark 2500/3000 Dual Fuel & Propane Boilers

CHAPTER 7 – MAINTENANCE

Igniter-Injector Maintenance Procedures – Continued

8. Check the igniter-injector for evidence of erosion or carbon build-up. If there is evidence of substantial erosion or carbon build-up, the igniter-injector should be replaced. If carbon build-up is present, clean the component using fine emery cloth. Repeated carbon build-up is an indication that the combustion settings of the unit should be checked. Refer to Chapter 4 for combustion calibration procedures.
9. Prior to reinstalling the igniter-injector, a high temperature, conductive, anti-seize compound must be applied to the threads.

NOTE

If a replacement igniter-injector (Kit P/N **58023**) is being installed, a compression nut containing a built-in ferrule will be included with the replacement part. If needed, 3 indexing washers are also included. These washers may be needed to properly position the gas injector tube of the igniter-injector within the 120° angle range shown in Figure 7-3.

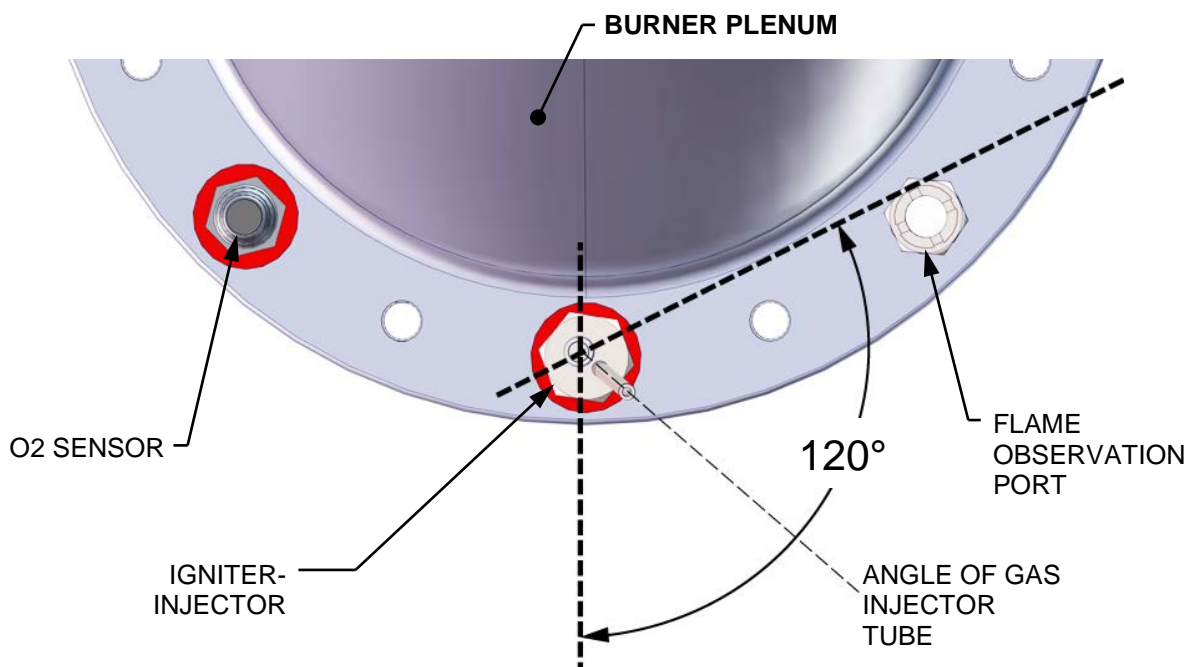


Figure 7-3. Igniter-Injector Orientation (Viewed Looking Down from Above)

10. Reinstall the igniter-injector in the burner plate. **Torque to 170 - 180 in-lbs. DO NOT over tighten.**
11. Connect the staged ignition assembly to the gas injector tube of the igniter-injector by securing the compression nut to the elbow of the staged ignition assembly.
12. Reconnect the igniter-injector cable.
13. Reinstall the shroud on the unit.

Benchmark 2500/3000 Dual Fuel & Propane Boilers

CHAPTER 7 – MAINTENANCE

7.3 FLAME DETECTOR

The flame detector (kit P/N **24356-1**) is located on the burner plate at the top of the unit (see Figures 7-1 and 7-2). The flame detector may be hot. Allow the unit to cool sufficiently before removing the flame detector. Inspect or replace the flame detector as follows:

Flame Detector Maintenance

1. Set the control panel ON/OFF switch to the **OFF** position. Disconnect AC power from the unit.
2. Remove the top shroud from the unit by grasping the top handle and lifting straight up. This will disengage the shroud from the four (4) pins in the side panels.
3. Disconnect the flame detector lead wire.
4. Remove the two (2) screws securing the flame detector to the plate (Figure 7-2). The flame detector is secured to the burner plate with one #10-32 screw and one #8-32 screw.
5. Remove the flame detector and gasket from the burner plate.
6. Thoroughly inspect the flame detector. If eroded, the detector should be replaced. Otherwise clean the detector with a fine emery cloth.
7. Reinstall the flame detector and flame detector gasket.
8. Reconnect the flame detector lead wire.
9. Reinstall the shroud on the unit.

7.4 O₂ SENSOR

The Lean Oxygen Sensor (P/N **61026**) is located on the burner plate at the top of the unit (see Figures 7-1 and 7-2). The burner plate and this component may be hot, so allow the unit to cool sufficiently before removing or replacing the O₂ sensor.

O₂ Sensor Maintenance Procedures

1. Set the ON/OFF switch on the control panel, to the **OFF** position. Disconnect AC power from the unit.
2. Remove the top shroud from the unit by grasping the top handle and lifting straight up. This will disengage the shroud from the four (4) pins in the side panels.
3. Disconnect the O₂ sensor lead wire by pushing in on the release tab and pulling apart the connector.
4. Next, loosen and remove the O₂ sensor and crush washer from the burner plate using a 15/16" open-end wrench.
5. Thoroughly inspect the O₂ sensor. If eroded, the sensor should be replaced. Otherwise clean the sensor with a fine emery cloth.
6. Reinstall the O₂ sensor and crush washer on the burner plate.
7. Reconnect the sensor lead wire.
8. Reinstall the shroud on the unit.

Benchmark 2500/3000 Dual Fuel & Propane Boilers

CHAPTER 7 – MAINTENANCE

7.5 SAFETY DEVICE TESTING

Systematic and thorough tests of the operating and safety devices should be performed to ensure that they are operating as designed. Certain code requirements, such as ASME CSD-1, require that these tests be performed on a scheduled basis. Test schedules must conform to local jurisdictions. The results of the tests should be recorded in a log book. See Chapter 6-Safety Device Testing Procedures.

7.6 BURNER ASSEMBLY INSPECTION

The burner assembly is located at the top of the unit's heat exchanger. The burner assembly may be hot. Therefore, allow the unit to cool sufficiently before removing the burner assembly.

NOTE

In order to do this procedure most efficiently with a minimum of steps, a simple support rig has been designed to hold up the blower and Air/Fuel Valve assembly while the blower plenum is removed to allow the burner assembly to be removed for maintenance. Using this support will relieve the blower's weight from bearing down upon the connection to the gas train. This support rig prevents having to dismantle the entire blower and A/V Valve assembly from the gas train. The support rig is available as an after-market part.

The following parts will be required for reassembly after burner inspection:

Part Number	Description
88173	Burner Upper Release Gasket
81180	Burner Gasket (Middle)
81185	Burner Lower Release Gasket
81048	Flame Detector Gasket

To inspect or replace the burner assembly, proceed as follows:

Burner Assembly Inspection and Maintenance Procedures

1. Set the ON/OFF switch on the control panel, to the **OFF** position. Disconnect AC power from the unit and turn off the gas supply.
2. Remove the top shroud from the unit by grasping the top handle and lifting straight up. This will disengage the shroud from the four (4) pins in the side panels.
3. Disconnect the lead wire from the flame detector installed on the burner plate. See Figure 7-2.
4. Remove the two (2) screws securing the flame detector to the plate. The flame detector is secured to the burner plate with one (1) #10-32 screw and one (1) #8-32 screw.
5. Remove the flame detector and gasket from the burner plate.
6. Disconnect the cable from the igniter-injector.
7. Using a 7/16" open-end wrench, disconnect the compression nut securing the gas injector tube of the igniter-injector to the elbow of the staged ignition assembly (see Figure 7-2). Disconnect the staged ignition assembly from the igniter-injector.

Benchmark 2500/3000 Dual Fuel & Propane Boilers

CHAPTER 7 – MAINTENANCE

Burner Assembly Inspection and Maintenance Procedures – *Continued*

8. Next, loosen and remove the igniter-injector from the burner plate using a 1" open-end wrench.
9. Retrieve the blower support rig and attach it to the blower and unit as described in the instructions provided with the rig.
10. Loosen and remove the four 5/16x1-3/4" bolts, washers, and nuts from the burner plenum where it is attached to the blower (see Figure 7-4a & 7-4b).
11. Remove the eight (8) 3/8-16 nuts, using a 9/16" (or 11/16") wrench, attaching the blower plenum to the burner beneath (see Figure 7-4a and 7-4b).
12. Remove the blower plenum from between the blower and the burner and set aside for later reassembly. O2 sensor and flame observation port remain assembled to the plenum flange.
13. Remove the burner by pulling straight up.

NOTE

The burner assembly weighs approximately 65 lbs.

14. Remove and replace the burner gasket (see Figure 7-5).

IMPORTANT!

ALL THREE gaskets provided for maintenance MUST be installed during this procedure, as shown in Figure 7-5, even if there is only one existing gasket being replaced. Note that the LOWER RELEASE GASKET has tabs, which the others do not.

NOTE

During reassembly, apply a light coating of high-temperature, anti-seize lubricant to the threads of the igniter-injector and grounding screw. Also, ensure that the igniter-injector is properly positioned as indicated in Figure 7-3. **Torque the igniter-injector to 170 - 180 in-lbs.**

15. Beginning with the burner assembly, reinstall all the components in the reverse order that they were removed. When reinstalling the blower plenum (removed in step 11), tighten the 3/8-16 nuts using a typical torque pattern (for example, loosely tighten one nut, then loosely tighten a second nut on the opposite side, a third at 90 degrees to the first two, and a fourth opposite the third, and then repeat this pattern with the remaining four nuts. Repeat the entire pattern a second time to partially tighten all eight nuts, and then repeat a third time until all eight nuts **are fully torqued to 35 ft. lbs.**
16. Ensure that the igniter-injector and flame detector cutouts in the burner plate are properly aligned with the heat exchanger top flange.

Benchmark 2500/3000 Dual Fuel & Propane Boilers

CHAPTER 7 – MAINTENANCE

Burner Assembly Inspection and Maintenance Procedures – *Continued*

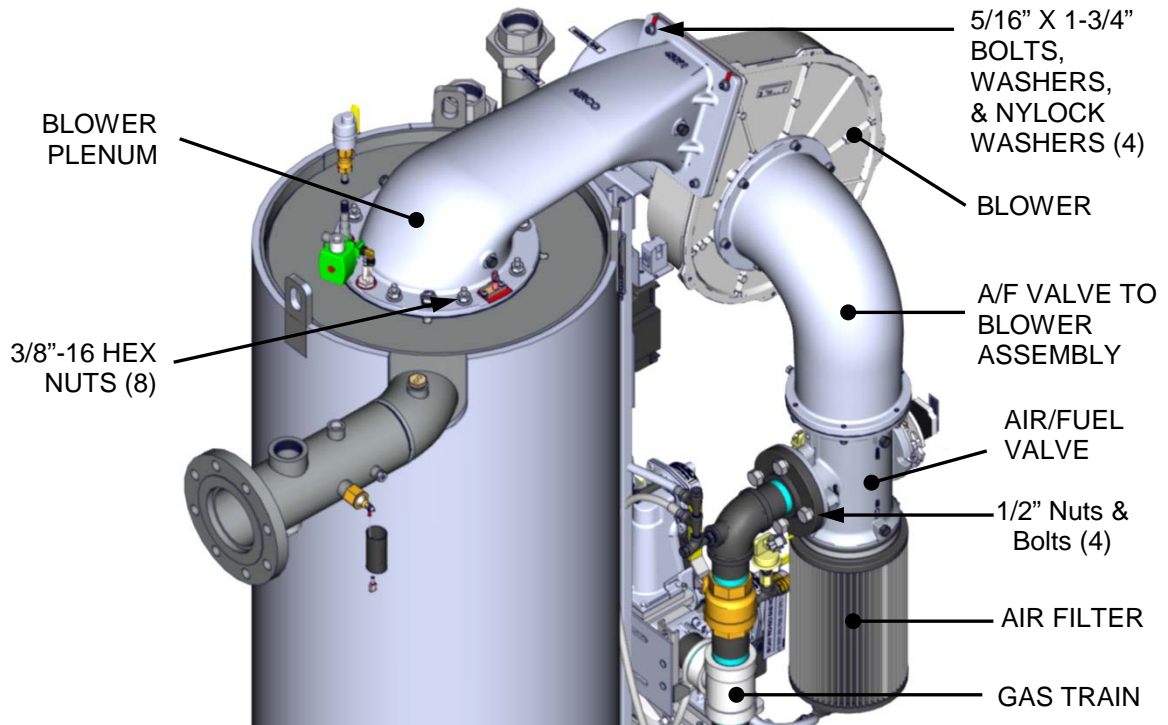


Figure 7-4a: Burner Assembly Mounting Details

NOTE

The BMK 2500 and BMK 3000 units are nearly identical except for the position of the High Gas Pressure switch on the gas train and the burner size.

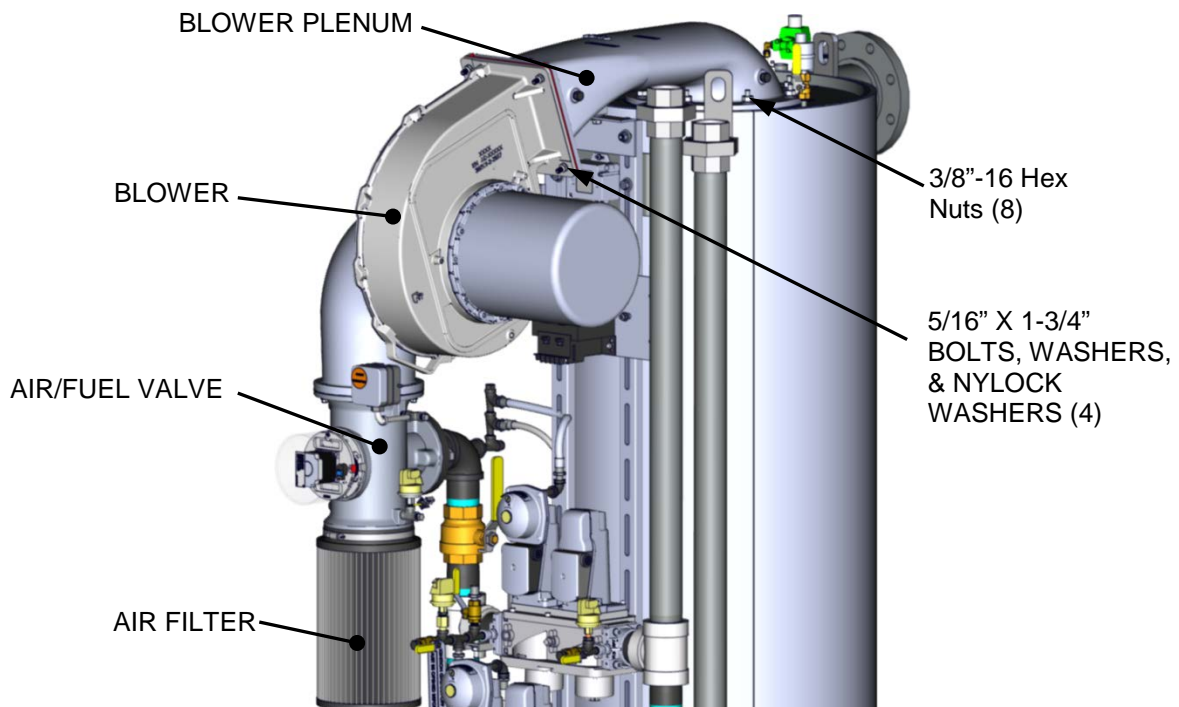


Figure 7-4b: Burner Assembly Mounting Details

Benchmark 2500/3000 Dual Fuel & Propane Boilers

CHAPTER 7 – MAINTENANCE

Burner Assembly Inspection and Maintenance Procedures – Continued

NOTE

The LOWER RELEASE GASKET (P/N 81185) features four tabs around its periphery.

81173 – UPPER RELEASE GASKET

81180 – MIDDLE BURNER GASKET

81185 – LOWER RELEASE GASKET

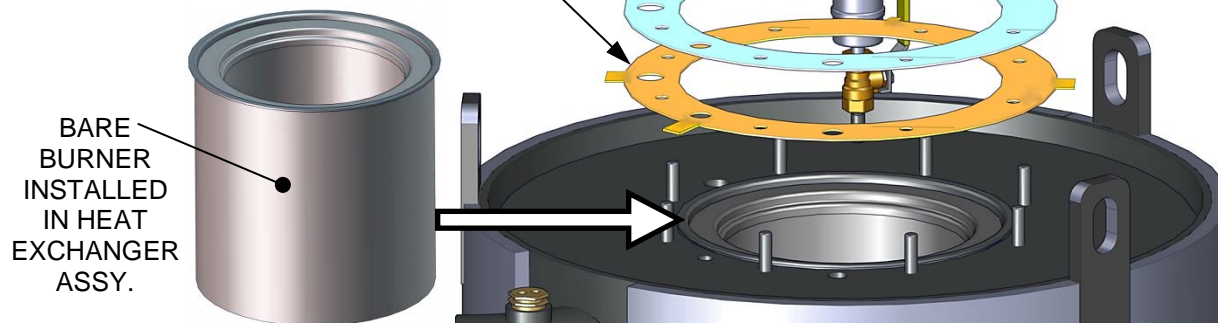


Figure 7-5: Bare Burner and Replacement Gaskets Location

7.7 CONDENSATE DRAIN TRAP

Benchmark boilers contain a condensate trap (P/N **24441**), located external to the unit and attached to the drain connection from the exhaust manifold. The location on the unit is shown in Chapter 2, Figure 2-6. This trap should be inspected and cleaned in accordance with the maintenance schedule shown in Table 7-1 to ensure proper operation.

To inspect and clean the trap, proceed as follows:

Condensate Trap Inspection and Cleaning

1. Disconnect the external condensate trap by loosening and then removing connections on the inlet and outlet sides of the condensate trap (see Figure 7-6).
2. Loosen the four (4) thumbscrews securing the trap's cover and then remove the cover and the O-ring from under the cover.
3. Remove the float and then thoroughly clean the trap and float. Also inspect the drain piping for blockage. If the trap cannot be thoroughly cleaned, replace the entire trap (P/N **24441**).
4. Replace the float, install the O-ring (P/N **84017**), and then replace the trap cover.
5. Reassemble all piping and hose connections to the condensate trap inlet and outlet.

Benchmark 2500/3000 Dual Fuel & Propane Boilers

CHAPTER 7 – MAINTENANCE

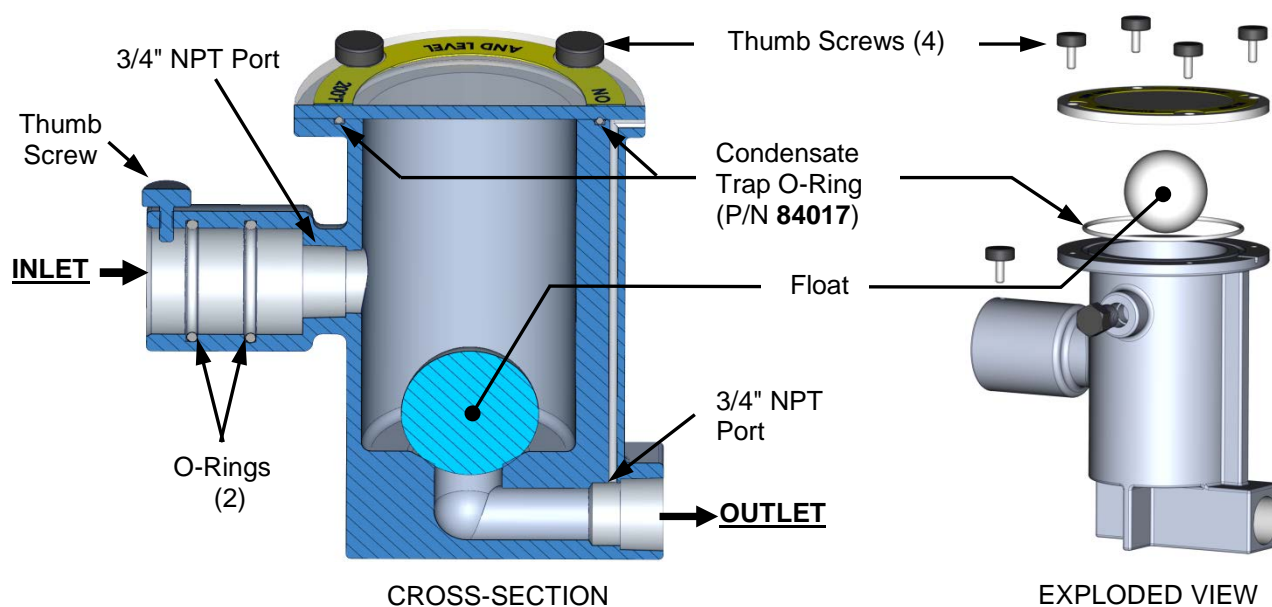


Figure 7-6: External Condensate Trap – Cross-Section & Exploded View

7.8 FILTER CLEANING & REPLACEMENT

The Benchmark boiler is equipped with an air filter which should be cleaned and re-oiled every 12 months and replaced every 24 months. The air filter is located at the inlet of the air fuel valve at the top of the boiler as shown in Figure 7-7.

To inspect/replace the air filter, proceed as follows:

Air Filter Cleaning & Replacement Procedures

1. Set the ON/OFF switch on the control panel, to the **OFF** position. Disconnect AC power from the unit.
2. Remove the top shroud from the unit by grasping the top handle and lifting straight up. This will disengage the shroud from the four (4) pins in the side panels.
3. Refer to Figure 7-7 and locate the air filter attached to the air/fuel valve inlet.
4. Using a flat-tip screwdriver or 5/16" nut driver, loosen the clamp securing the filter to the inlet flange of the air/fuel valve. Remove the filter and clamp.
5. The filter may be cleaned in hot soapy water to remove oil and dirt. It should then be thoroughly dried and then sprayed with a light coating of K&N® Air Filter Oil (or equivalent specifically formulated for air filters) prior to reinstallation. Do **NOT** use WD-40.
6. Each replacement air filter is equipped with its own clamp. Therefore, simply install the replacement air filter on inlet flange of the air fuel valve and tighten the clamp with a flat-tip screwdriver or 5/16" nut driver.
7. Replace the top shroud on the unit and return boiler to service use.

Benchmark 2500/3000 Dual Fuel & Propane Boilers

CHAPTER 7 – MAINTENANCE

Air Filter Cleaning & Replacement Procedures – Continued

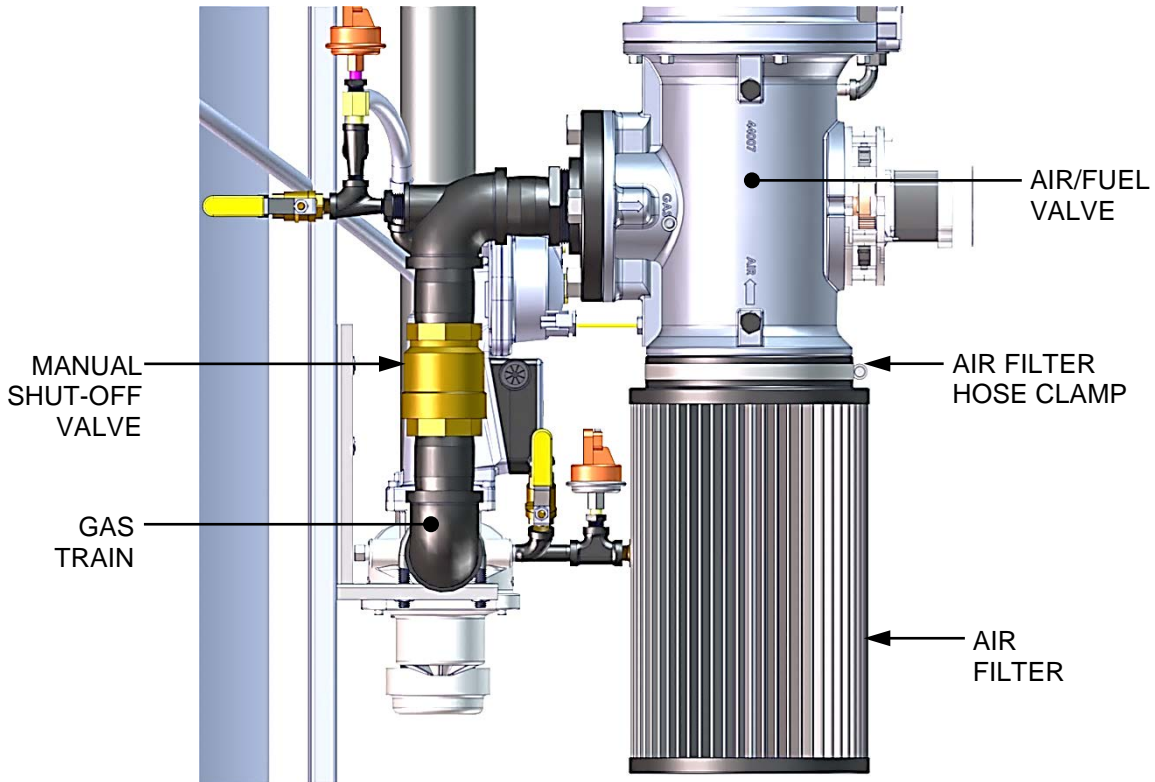
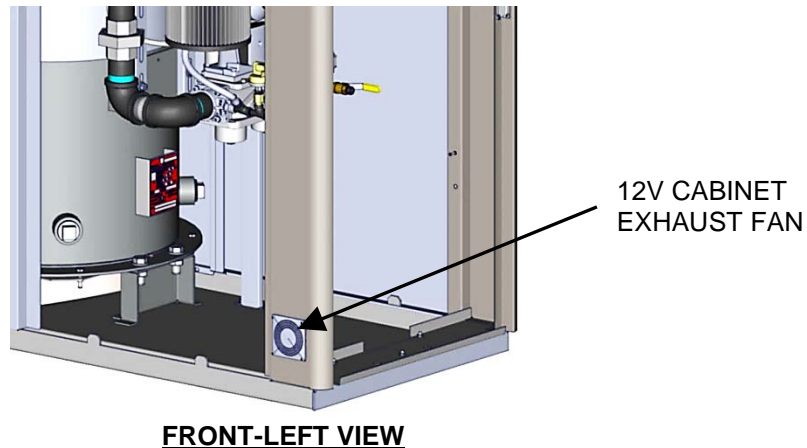


Figure 7-7: Air Filter Location and Removal

7.9 CABINET EXHAUST FAN INSPECTION & REPLACEMENT

A small, brushless 12V electrical fan (P/N **65147**) is installed in the lower left part of the BMK frame (see Figure 7-8). This fan operates continuously when the boiler is supplied with electrical power, but is NOT affected by the position of the C-MORE controller ON/OFF power switch. It functions to ventilate the boiler cabinet, which is required when propane gas pipes are present. This fan should be checked during each maintenance interval (every 6 months) to ensure proper functioning, and replaced if necessary with a fan of equivalent or superior specifications.



FRONT-LEFT VIEW

Figure 7-8: Cabinet Exhaust Fan Location

Benchmark 2500/3000 Dual Fuel & Propane Boilers

CHAPTER 7 – MAINTENANCE

7.10 WATER CUTOFF (LWCO) CAPACITOR INTEGRITY TEST

The LWCO capacitor should be tested for electrical shorts every 12 months and replaced, then tested, every 24 months. The LWCO capacitor integrity test consists of two parts as described in the next two sections. The first procedure explains how to test for electrical shorting of the LWCO probe capacitor, while the second procedure instructs how to perform the standard Low Water Cutoff test using the C-More controls.

Refer to Figure 7-9 for an illustration of the LWCO probe assembly and its typical installation.

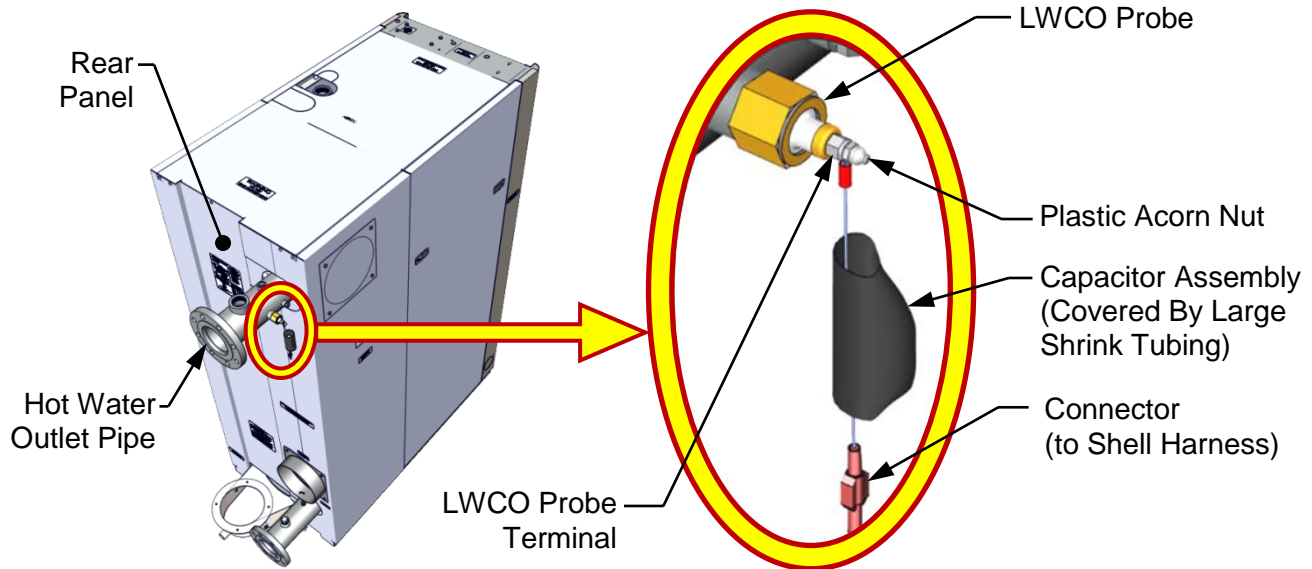


Figure 7-9: LWCO Probe Location for BMK2500/3000 (BMK2500 Shown)

7.10.1 Low Water Cutoff (LWCO) - Capacitor Electrical Short Test

This test determines if there is an electrical short between the LWCO capacitor and the heat exchanger. Perform the capacitor electrical short test as described below.

LWCO Capacitor Electrical Short Test

1. Turn OFF AC power to the unit.

WARNING!

High voltages are used to power these units and so it is required that power applied to these units is removed first before performing the procedure described in this instruction. Serious personal injury or death may occur if this warning is not observed.

Benchmark 2500/3000 Dual Fuel & Propane Boilers

CHAPTER 7 – MAINTENANCE

LWCO Capacitor Electrical Short Test – Continued

2. Remove the Shell Harness Cable (male) connector from the P-5 (female) connector on the rear panel of the C-More controller (see Figure 7-10).

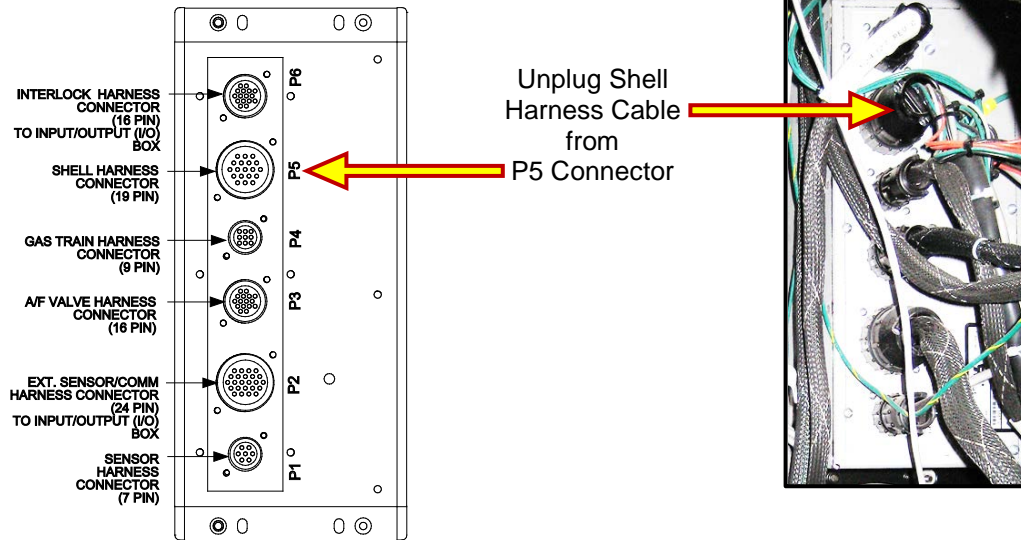
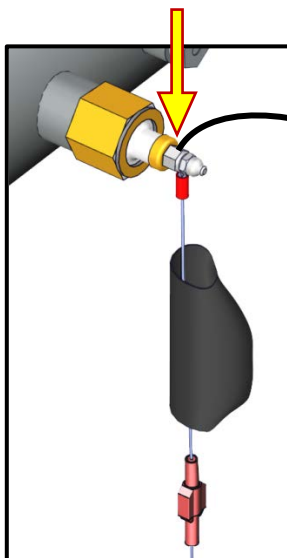


Figure 7-10: Removing Shell Harness Cable from P5 Conn. on C-More Rear Panel

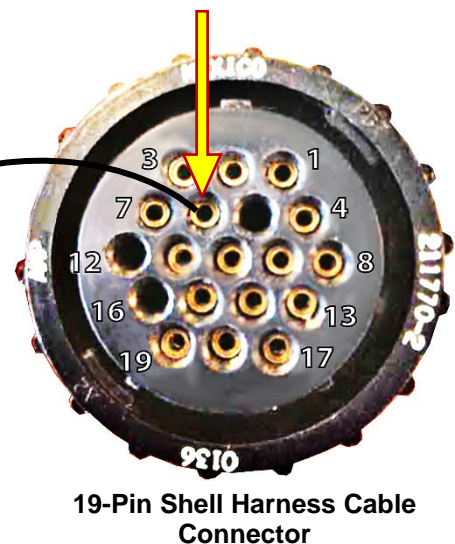
3. Using an ohmmeter, connect one ohmmeter probe to the LWCO capacitor terminal on the unit shell as shown on left in Figure 7-11.
4. Connect the second ohmmeter probe to Pin #6 of Shell Harness Cable (removed from the C-More controller) as shown on right in Figure 7-11.

Connect 1st Lead to LWCO Terminal



LWCO Probe Assembly Connector

Connect 2nd Lead to PIN #6



19-Pin Shell Harness Cable Connector

Figure 7-11: Connecting Ohmmeter between LWCO Probe & Shell Harness Cable

Benchmark 2500/3000 Dual Fuel & Propane Boilers

CHAPTER 7 – MAINTENANCE

LWCO Capacitor Integrity Test – Continued

5. Confirm that the ohmmeter does NOT read a short.

NOTE

If the ohmmeter reads a short, the capacitor assembly needs to be replaced. Refer to document TID-0113, provided with the 24-month maintenance kit, for LWCO replacement instructions.

6. Remove both ohmmeter probes and reconnect the Shell Harness connector to the P5 connector on the rear of the C-More controller.

7.10.2 Low Water Cutoff (LWCO) - Standard C-More Test

Perform the standard Low Water Cutoff test using the C-More controls as described below.

Standard Low Water Cutoff C-More Test

1. Turn the AC power to the unit to the **ON** position.
2. Press the **TEST** switch on the C-More controller and confirm that the blinking **Low Water Level** message appears on the C-More display within 4 seconds.
3. Press the **RESET** key, followed by the **Clear** button, and confirm that the **Low Water Level** message is cleared.

7.11 SHUTTING THE BOILER DOWN FOR AN EXTENDED PERIOD OF TIME

If the boiler is to be taken out of service for an extended period of time (one year or more), the following instructions must be followed.

Extended Shut-Down

1. Set ON/OFF switch on the front panel to the **OFF** position to shut down the boiler's operating controls.
2. Disconnect AC power from the unit.
3. Close the water supply and return valves to isolate boiler.
4. Close external gas supply valve.
5. Open relief valve to vent water pressure.
6. Open the drain valve and drain all water from the unit.

Benchmark 2500/3000 Dual Fuel & Propane Boilers

CHAPTER 7 – MAINTENANCE

7.12 PLACING THE BOILER BACK IN SERVICE AFTER A PROLONGED SHUTDOWN

After a prolonged shutdown (one year or more), the following procedures must be followed:

Return to Service After Extended Shut-Down

1. Review installation requirements included in Chapter 2.
2. Inspect all piping and connections to the unit.
3. Inspect exhaust vent and air inlet duct work (if applicable).
4. Perform initial startup per Chapter 4.
5. Perform safety device testing and scheduled maintenance procedures per Chapters 6 and 7 of this manual.

7.13 SPARK MONITOR (AC CURRENT TRANSDUCER)

The spark monitor (P/N 61034) evaluates the strength of the current between the ignition transformer and igniter-injector. Wire # 140, connected to the ignition transformer (see Figure 7-12), passes through the monitor's orifice. If an adequate AC current is not detected in the wire during ignition, the unit automatically shuts down. The monitor's wires are connected to the I/O board's Spark Signal terminals (see section 2.10.4).

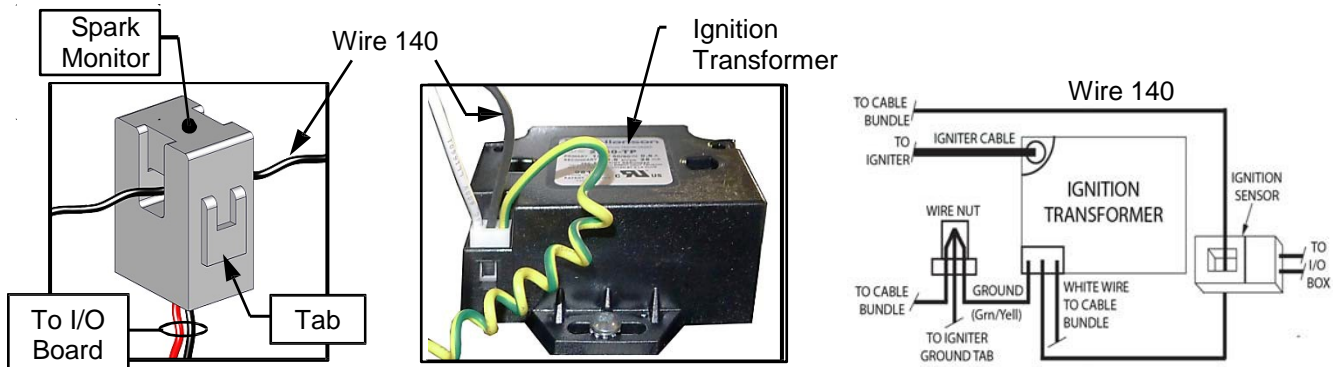


Figure 7-12: Spark Detector Sensor (AC Current Transducer) P/N 61034

If the spark monitor needs to be replaced, open the monitor's orifice by pulling on the tab at the side, remove Wire # 140, disconnect the monitor's wires from the I/O board, remove the old monitor from its position, install a new monitor in its place, route wire # 140 through the new sensor orifice, and connect the wires to the I/O board's Spark Signal terminals, red wire to the positive (+) terminal and black to negative (-).

Benchmark 2500/3000 Dual Fuel & Propane Boilers

CHAPTER 7 – MAINTENANCE

(This Page Is Intentionally Blank)

CHAPTER 8: TROUBLESHOOTING GUIDE

8.1 INTRODUCTION

This troubleshooting guide is intended to aid service/maintenance personnel in isolating the cause of a fault in Benchmark 2500 and 3000 boilers. The troubleshooting procedures contained herein are presented in tabular form on the following pages. These tables are comprised of three columns labeled: Fault Indication, Probable Cause and Corrective Action. The numbered items in the Probable Cause and Corrective Action columns correspond to each other. For example, Probable Cause No. 1 corresponds to Corrective Action No. 1, etc.

When a fault occurs in the unit, proceed as follows to isolate and correct the fault:

Isolation and Correction of Faults

1. Observe the fault messages displayed in the Control Box display.
2. Refer to the Fault Indication column in Troubleshooting Table 8-1 which follows and locate the Fault that best describes the existing conditions.
3. Proceed to the Probable Cause column and start with the first item (1) listed for the Fault Indication.
4. Perform the checks and procedures listed in the Corrective Action column for the first Probable Cause candidate.
5. Continue checking each additional Probable Cause for the existing fault until the fault is corrected.
6. Section 8.2 and Table 8-2 contain additional troubleshooting information which may apply when a no fault message is displayed.

If the fault cannot be corrected using the information provided in the Troubleshooting Tables, contact your local AERCO Representative.

NOTE

The front panel of the C-More Control Box contains an RS232 port. This port is used only by factory-trained personnel to monitor OnAER communications via a portable computer.

Benchmark 2500/3000 Dual Fuel & Propane Boilers

CHAPTER 8 – TROUBLESHOOTING GUIDE

(This Page Is Intentionally Blank)

Benchmark 2500/3000 Dual Fuel & Propane Boilers

CHAPTER 8 – TROUBLESHOOTING GUIDE

TABLE 8-1: BOILER TROUBLESHOOTING

FAULT INDICATION	PROBABLE CAUSES	CORRECTIVE ACTION
<p>AIRFLOW FAULT DURING IGNITION</p>	<ol style="list-style-type: none"> 1. Blower stopped running due to thermal or current overload. 2. Blocked Blower inlet or inlet air filter. 3. Blockage in Blower Proof switch. 4. Blockage in Blocked Inlet switch. 5. Defective Blower Proof switch. 6. Defective Blocked Inlet switch. 7. Loose temperature to AUX connection in I/O Box. 8. Defective temperature sensor. 9. Loose wire connection between the 0-10V signal from I/O box to the Blower input. 10. Defective I/O Box. 11. Wrong 0-10V output selection on the control box. 12. Defective Air-Fuel Valve potentiometer. 13. Hard light. 	<ol style="list-style-type: none"> 1. Check combustion blower for signs of excessive heat or high current drain that may trip thermal or current overload devices. 2. Inspect the inlet to the combustion blower including the air filter at the air/fuel valve for signs of blockage. 3. Remove the Blower Proof switch and inspect for signs of blockage, clean or replace as necessary. 4. Remove the Blocked Inlet switch and inspect for signs of blockage, clean or replace as necessary. 5. Check the continuity of the Blower Proof switch with the combustion blower running. If there is an erratic resistance reading or the resistance reading is greater than zero ohms, replace the switch. 6. Turn off unit and check the continuity of the Blocked Inlet switch. If there is an erratic resistance reading or the resistance reading is greater than zero ohms, replace the switch. 7. Check the actual inlet air temperature and measure voltage at AUX input in the I/O Box. Verify that the voltage conforms to the values shown in the tabular listing provided in Appendix C. 8. Refer to CORRECTIVE ACTION 7 and verify that the voltage conforms to the values shown in Appendix C. 9. Check wire connection from I/O Box 0-10V signal to the Blower Motor. 10. Measure voltage at the I/O box 0-10V output. A voltage of 8.2V equates to a 100% open valve position. 11. Check the <i>Analog Out</i> option on the C-More <i>Configuration</i> menu. Valve Position 0-10V should be selected. 12. Check Air/Fuel Valve position at 0%, 50% and 100% open positions. The positions on the VALVE POSITION bargraph should match the readings on the Air/Fuel Valve dial. 13. Check igniter-injector for soot or erosion of electrode. Check injector solenoid valve to insure proper open/close operation.

Benchmark 2500/3000 Dual Fuel & Propane Boilers

CHAPTER 8 – TROUBLESHOOTING GUIDE

TABLE 8-1: BOILER TROUBLESHOOTING – Continued

FAULT INDICATION	PROBABLE CAUSES	CORRECTIVE ACTION
AIRFLOW FAULT DURING PURGE	<ol style="list-style-type: none"> 1. Blower not running or running too slow. 2. Defective Blocked Inlet switch. 3. Blockage in air filter or Blocked Inlet switch. 4. Blocked blower inlet or inlet ductwork. 5. No voltage to Blocked Inlet switch from C-More Control Box. 6. PROBABLE CAUSES from 3 to 12 for AIRFLOW FAULT DURING IGNITION apply for this fault. 	<ol style="list-style-type: none"> 4. Start the unit. If the blower does not run check the blower solid state relay for input and output voltage. If the relay is OK, check the blower. 5. Start the unit. If the blower runs, turn off unit and check the Blocked Inlet switch for continuity. Replace the switch if continuity does not exist. 6. Remove the air filter and Blocked Inlet switch and inspect for signs of blockage. Clean or replace as necessary. 7. Inspect the inlet to the combustion blower including any ductwork leading up to the combustion blower for signs of blockage. 8. During the start sequence, verify that 24 VAC is present between each side of the switch and ground. If 24 VAC is not present, refer fault to qualified service personnel. 9. See CORRECTIVE ACTIONS from 3 to 12 for AIRFLOW FAULT DURING IGNITION.
AIRFLOW FAULT DURING RUN	<ol style="list-style-type: none"> 1. Blower stopped running due to thermal or current overload. 2. Blocked Blower inlet or inlet ductwork. 3. Blockage in air filter or Blocked Inlet switch. 4. Defective Blocked Inlet switch. 5. Combustion oscillations. 6. PROBABLE CAUSES from 3 to 16 for AIRFLOW FAULT DURING IGNITION applies for this fault. 	<ol style="list-style-type: none"> 1. Check combustion blower for signs of excessive heat or high current draw that may trip thermal or current overload devices. 2. Inspect the inlet to the combustion blower, including any ductwork leading up to the combustion blower, for signs of blockage. 3. Remove the air filter and Blocked Inlet switch and inspect for signs of blockage, clean or replace as necessary. 4. Verify that 24 VAC is present between each side of the switch and ground. If 24 VAC is not present at both sides, replace switch, 5. Run unit to full fire. If the unit rumbles or runs rough, perform combustion calibration. 6. See CORRECTIVE ACTIONS from 3 to 12 for AIRFLOW FAULT DURING IGNITION.

Benchmark 2500/3000 Dual Fuel & Propane Boilers

CHAPTER 8 – TROUBLESHOOTING GUIDE

TABLE 8-1: BOILER TROUBLESHOOTING – Continued

FAULT INDICATION	PROBABLE CAUSES	CORRECTIVE ACTION
DELAYED INTERLOCK OPEN	<ol style="list-style-type: none"> 1. Delayed Interlock Jumper not properly installed or missing. 2. Device proving switch hooked to interlocks is not closed 	<ol style="list-style-type: none"> 1. Check to insure jumper is properly installed across the delayed interlock terminals in the I/O Box. 2. If there are 2 external wires on these terminals, check to see if an end switch for a proving device (such as a pump, louver, etc.) is tied these interlocks. Ensure that the device and/or its end switch is functional. A jumper may be temporarily installed to test the interlock.
DIRECT DRIVE SIGNAL FAULT	<ol style="list-style-type: none"> 1. Direct drive signal is not present: <ul style="list-style-type: none"> --Not yet installed. --Wrong polarity. --Signal defective at source. --Broken or loose wiring. 2. Signal is not isolated (floating). 3. Control Box signal type selection switches not set for correct signal type (voltage or current). 	<ol style="list-style-type: none"> 1. Check I/O Box to ensure signal is hooked up. <ul style="list-style-type: none"> --Hook up if not installed. --If installed, check polarity. --Measure signal level. --Check wiring continuity between source and unit. 2. Check signal at source to ensure it is isolated. 3. Check DIP switch on PMC board to ensure it is set correctly for the type of signal being sent. Check control signal type set in <i>Configuration</i> menu.
FLAME LOSS DURING IGN	<ol style="list-style-type: none"> 1. Worn Flame Detector. 2. No spark from Spark Igniter. 3. Defective Ignition Transformer. 4. Defective Ignition/Stepper (IGST) Board. 5. Defective SSOV. 	<ol style="list-style-type: none"> 1. Remove and inspect the Flame Detector for signs of wear. Replace if necessary. 2. Close the internal gas valve in the unit. Install and arc a spark igniter outside the unit. 3. If there is no spark, check for 120VAC at the primary side to the ignition transformer during the ignition cycle. 4. If 120VAC is not present, the IGST Board in the Control Box may be defective. Refer fault to qualified service personnel. 5. While externally arcing the spark igniter, observe the open/close indicator in the Safety Shut-Off Valve to ensure it is opening. If the valve does not open, check for 120VAC at the valve input terminals. If 120VAC is not present, the IGST board in the Control Box may be defective. Refer fault to qualified service personnel.

Benchmark 2500/3000 Dual Fuel & Propane Boilers

CHAPTER 8 – TROUBLESHOOTING GUIDE

TABLE 8-1: BOILER TROUBLESHOOTING – Continued

FAULT INDICATION	PROBABLE CAUSES	CORRECTIVE ACTION
(continued)	<ol style="list-style-type: none"> 6. Carbon or other debris on Burner. 7. Staged ignition solenoid valve doesn't open. 8. Clogged staged ignition piece. 	<ol style="list-style-type: none"> 6. Remove View-Port and inspect Burner with Boroscope. If it is fouled or black with soot, remove the Burner and inspect for any carbon build-up or debris. Clean and reinstall. 7. When unit goes to ignition, listen for a clicking sound at the staged ignition solenoid valve to ensure it is opening. 8. Remove and inspect staged ignition piece for blockage.
FLAME LOSS DURING RUN	<ol style="list-style-type: none"> 1. Worn Flame Detector or cracked ceramic. 2. Defective Regulator. 3. Poor combustion calibration. 4. Debris on burner. 5. Blocked condensate drain. 	<ol style="list-style-type: none"> 1. Remove and inspect the Flame Detector for signs of wear or cracked ceramic. Replace if necessary. 2. Check gas pressure readings using a gauge or manometer into and out of the Air/Fuel Valve to ensure that the gas pressure into and out of the valve is correct. 3. Check combustion calibration using procedures in Chapter 4. 4. Remove the burner and inspect for any carbon build-up or debris. Clean and reinstall. 5. Remove blockage in condensate drain.
HEAT DEMAND FAILURE	<ol style="list-style-type: none"> 1. The Heat Demand Relays on the Ignition/Stepper (IGST) board failed to activate when commanded. 2. Relay is activated when not in Demand. 	<ol style="list-style-type: none"> 1. Press CLEAR button and restart the unit. If the fault persists, replace Ignition/Stepper (IGST) Board. 2. Defective relay. Replace IGST Board.
HIGH EXHAUST TEMPERATURE	<ol style="list-style-type: none"> 1. Poor combustion calibration. 2. Carboned heat exchanger due to incorrect combustion calibration 	<ol style="list-style-type: none"> 1. Check combustion calibration using procedures in Chapter 4. 2. If exhaust temperature is greater than 200° F, check combustion calibration. Calibrate or repair as necessary.

Benchmark 2500/3000 Dual Fuel & Propane Boilers

CHAPTER 8 – TROUBLESHOOTING GUIDE

TABLE 8-1: BOILER TROUBLESHOOTING – Continued

FAULT INDICATION	PROBABLE CAUSES	CORRECTIVE ACTION
HIGH GAS PRESSURE	<ol style="list-style-type: none"> 1. Incorrect supply gas pressure. 2. Defective SSOV Actuator. 3. Defective High Gas Pressure Switch. 	<ol style="list-style-type: none"> 1. Check to ensure gas pressure at inlet of SSOV does not exceed 14" W.C. 2. If gas supply pressure downstream of SSOV Actuator cannot be lowered to the following values using the gas pressure adjustment screw (see section 4.3 or 4.4, step 9), the SSOV Actuator may be defective: <ul style="list-style-type: none"> • BMK3000DF = 6.0" ± 0.2" W.C. for Natural Gas <u>or</u> 1.6" ± 0.2" W.C. for Propane Gas. • BMK2500DF = 6.0" ± 0.2" W.C. for Natural Gas <u>or</u> 2.0" ± 0.2" W.C. for Propane Gas. 3. Remove the leads from the high gas pressure switch. Measure continuity across the common (C) and normally closed (NC) terminals with the unit not firing. Replace the switch if continuity does not exist.
HIGH WATER TEMP SWITCH OPEN	<ol style="list-style-type: none"> 1. Faulty Water temperature switch. 2. Incorrect PID settings. 3. Faulty shell temperature sensor. 4. Unit in Manual mode 5. Unit setpoint is greater than Over Temperature Switch setpoint. 6. System flow rate changes are occurring faster than units can respond. 	<ol style="list-style-type: none"> 1. Test the temperature switch to insure it trips at its actual water temperature setting. 2. Check PID settings against Menu Default settings in Appendix E. If the settings have been changed, record the current readings then reset them to the default values. 3. Using the resistance charts in the Appendix C, Measure the resistance of Shell sensor and BTU sensor at a known water temperature. 4. If unit is in Manual Mode switch to Auto Mode. 5. Check setpoint of unit and setpoint of Temperature Switch; Ensure that the temperature switch is set higher than the unit's setpoint. 6. If the system is a variable flow system, monitor system flow changes to ensure that the rate of flow change is not faster than what the units can respond to.
HIGH WATER TEMPERATURE	<ol style="list-style-type: none"> 1. See HIGH WATER TEMPERATURE SWITCH OPEN. 2. Temp HI Limit setting is too low. 	<ol style="list-style-type: none"> 1. See HIGH WATER TEMPERATURE SWITCH OPEN. 2. Check Temp HI Limit setting.
IGN BOARD COMM FAULT	<ol style="list-style-type: none"> 1. Communication fault has occurred between the PMC board and Ignition/Stepper (IGST) board 	<ol style="list-style-type: none"> 1. Press CLEAR button and restart unit. If fault persists, contact qualified Service Personnel.

Benchmark 2500/3000 Dual Fuel & Propane Boilers

CHAPTER 8 – TROUBLESHOOTING GUIDE

TABLE 8-1: BOILER TROUBLESHOOTING – Continued

FAULT INDICATION	PROBABLE CAUSES	CORRECTIVE ACTION
IGN SWTCH CLOSED DURING PURGE	<ol style="list-style-type: none"> 1. Air/Fuel Valve not rotating 2. Defective or shorted switch 3. Switch wired incorrectly 4. Defective Power Supply Board or fuse 5. Defective IGST Board 	<ol style="list-style-type: none"> 1. Start the unit. The Air/Fuel Valve should rotate to the purge (open) position. If the valve does not rotate at all or does not rotate fully open, check the Air/Fuel Valve calibration. If calibration is okay, the problem may be in the Air-Fuel Valve or the Control Box. Refer to qualified service personnel 2. If the Air/Fuel Valve does rotate to purge, check the ignition switch for continuity between the N.O. and COM terminals. If the switch shows continuity when not in contact with the cam replace the switch. 3. Check to ensure that the switch is wired correctly (correct wire numbers on the normally open terminals). If the switch is wired correctly, replace the switch 4. Check DS1 & DS2 LEDs on Power Supply Board. If they are not steady ON, replace Power Supply Board. 5. Check "Heartbeat" LED DS1 and verify it is blinking ON & OFF every second. If not, replace IGST Board
IGN SWTCH OPEN DURING IGNITION	<ol style="list-style-type: none"> 1. Air/Fuel Valve not rotating to ignition position. 2. Defective ignition switch 3. Defective Power Supply Board or fuse 4. Defective IGST Board 	<ol style="list-style-type: none"> 1. Start the unit. The Air/Fuel Valve should rotate to the purge (open) position, then back to ignition position (towards closed) during the ignition cycle. If the valve does not rotate back to the ignition position, check the Air/Fuel Valve calibration. If calibration is okay, the problem may be in the Air/Fuel Valve or the Control Box. Refer fault to qualified service personnel. 2. If the Air/Fuel Valve does rotate to the ignition position, check the ignition position switch for continuity between the N.O. and COM terminals when in contact with the cam. 3. Check DS1 & DS2 LEDs on Power Supply Board. If they are not steady ON, replace Power Supply Board. 4. Check "Heartbeat" LED DS1 and verify it is blinking ON & OFF every second. If not, replace IGST Board.

Benchmark 2500/3000 Dual Fuel & Propane Boilers

CHAPTER 8 – TROUBLESHOOTING GUIDE

TABLE 8-1: BOILER TROUBLESHOOTING – Continued

FAULT INDICATION	PROBABLE CAUSES	CORRECTIVE ACTION
INTERLOCK OPEN	<ol style="list-style-type: none"> Interlock jumper not installed or removed Energy Management System does not have unit enabled. Device proving switch hooked to interlocks is not closed. 	<ol style="list-style-type: none"> Check for a jumper properly installed across the interlock terminals in the I/O box. If there are two external wires on these terminals check any Energy Management system to see if they have the units disabled (a jumper may be temporarily installed to see if the interlock circuit is functioning). Check that proving switch for any device hooked to the interlock circuit is closing and that the device is operational.
LINE VOLTAGE OUT OF PHASE	<ol style="list-style-type: none"> Line and Neutral switched in AC Power Box. Incorrect power supply transformer wiring. 	<ol style="list-style-type: none"> Check hot and neutral in AC Power Box to ensure they are not reversed Check transformer wiring, in AC Power Box, against the power box transformer wiring diagram to ensure it is wired correctly
LOW GAS PRESSURE	<ol style="list-style-type: none"> Incorrect supply gas pressure. Defective Low Pressure Gas Switch 	<ol style="list-style-type: none"> Measure gas pressure upstream of the SSOV Actuator(s) with the unit firing. Ensure the following values as follows: For Natural Gas gas-trains, ensure it is between 8.0" W.C. and 14" W.C. For Propane Gas gas-trains, ensure it is between 4.0" W.C. and 14" W.C. (see section. 2.8.1). Measure gas pressure at the low gas pressure switch. If greater than the following values, measure continuity across the switch and replace if necessary: <ol style="list-style-type: none"> BMK3000 DF = If it is greater than 2.6" W.C. for Propane Gas or greater than 7.5" W.C. for Natural Gas. BMK2500 DF = If it is greater than 3.6" W.C. for Propane Gas or greater than 7.5" W.C. for Natural Gas.
LOW WATER LEVEL	<ol style="list-style-type: none"> Insufficient water level in system Defective water level circuitry. Defective water level probe. 	<ol style="list-style-type: none"> Check system for sufficient water level. Test water level circuitry using the Control Box front panel LOW WATER TEST and RESET buttons. Replace water level circuitry if it does not respond. Check continuity of probe end to the shell, change probe if there is no continuity.
MODBUS COMMFAULT	Unit not seeing information from Modbus network	Check network connections. If fault persists, contact qualified Service Personnel.

Benchmark 2500/3000 Dual Fuel & Propane Boilers

CHAPTER 8 – TROUBLESHOOTING GUIDE

TABLE 8-1: BOILER TROUBLESHOOTING – Continued

FAULT INDICATION	PROBABLE CAUSES	CORRECTIVE ACTION
PRG SWTCH CLOSED DURING IGNITION	<ol style="list-style-type: none"> 1. A/F Valve rotated open to purge and did not rotate to ignition position. 2. Defective or shorted switch. 3. Switch wired incorrectly. 4. Defective Power Supply Board or fuse 5. Defective IGST Board 	<ol style="list-style-type: none"> 1. Start the unit. The Air/Fuel Valve should rotate to the purge (open) position, then back to ignition position (towards closed) during the ignition cycle. If the valve does not rotate back to the ignition position, check the Air/Fuel Valve calibration. If calibration is okay, the problem may be in the Air/Fuel Valve or the Control Box. Refer fault to qualified service personnel. 2. If the Air/Fuel Valve does rotate to the ignition position, check the purge switch for continuity between the N.O. and COM terminals. If the switch shows continuity when not in contact with the cam, check to ensure that the switch is wired correctly (correct wire numbers on the normally open terminals). 3. If the switch is wired correctly, replace the switch. 4. Check DS1 & DS2 LEDs on Power Supply Board. If they are not steady ON, replace Power Supply Board. 5. Check "Heartbeat" LED DS1 and verify it is blinking ON & OFF every second. If not, replace IGST Board.
PRG SWTCH OPEN DURING PURGE	<ol style="list-style-type: none"> 1. Defective purge switch. 2. No voltage present at switch. 3. Switch wired incorrectly. 4. Defective Power Supply Board or fuse 5. Defective IGST Board 	<ol style="list-style-type: none"> 1. If the air-fuel valve does rotate, check purge switch for continuity when closing. Replace switch if continuity does not exist. 2. Measure for 24 VAC from each side of the switch to ground. If 24VAC is not present, refer fault to qualified service personnel. 3. Check to ensure that the switch is wired correctly (correct wire numbers on the normally open terminals). 4. Check DS1 & DS2 LEDs on Power Supply Board. If they are not steady ON, replace Power Supply Board. 5. Check "Heartbeat" LED DS1 and verify it is blinking ON & OFF every second. If not, replace IGST Board.
OUTDOOR TEMP SENSOR FAULT	<ol style="list-style-type: none"> 1. Loose or broken wiring. 2. Defective Sensor. 3. Incorrect Sensor. 	<ol style="list-style-type: none"> 1. Inspect Outdoor Temperature sensor for loose or broken wiring. 2. Check resistance of sensor to determine if it is within specification. 3. Ensure that the correct sensor is installed.

Benchmark 2500/3000 Dual Fuel & Propane Boilers

CHAPTER 8 – TROUBLESHOOTING GUIDE

TABLE 8-1: BOILER TROUBLESHOOTING – Continued

FAULT INDICATION	PROBABLE CAUSES	CORRECTIVE ACTION
O2 % OUT OF RANGE	<ol style="list-style-type: none"> 1. Combustion Calibration incorrect. 2. Blocked inlet air duct or louver. 	<ol style="list-style-type: none"> 1. Check Combustion Analyzer and recalibrate Boiler. 2. Unblock air inlet and measure open area for combustion air to the room.
RECIRC PUMP FAILURE	<ol style="list-style-type: none"> 1. Internal recirculation pump failed. 	<ol style="list-style-type: none"> 1. Replace recirculation pump.
REMOTE SETPT SIGNAL FAULT	<ol style="list-style-type: none"> 1. Remote setpoint signal not present: Not yet installed. Wrong polarity. Signal defective at source. Broken or loose wiring. 2. Signal is not isolated (floating) if 4 to 20 mA. 3. Control Box signal type selection switches not set for correct signal type (voltage or current). 	<ol style="list-style-type: none"> 1. Check I/O Box to ensure signal is hooked up. Hook up if not installed. If installed, check polarity. Measure signal level. Check continuity of wiring between source and unit. 2. Check signal at source to ensure it is isolated. 3. Check DIP switch on PMC board to ensure it is set correctly for the type of signal being sent. Check control signal type set in <i>Configuration</i> menu.
RESIDUAL FLAME	<ol style="list-style-type: none"> 1. Defective Flame Detector. 2. SSOV not fully closed. 	<ol style="list-style-type: none"> 1. Replace Flame Detector. 2. Check open/close indicator window of Safety Shut-Off Valve (SSOV) and ensure that the SSOV is fully closed. If not fully closed, replace the valve and or actuator. Close the 2" Gas Shut-Off Valve downstream of SSOV (Figure 6-1a). Install a manometer or gauge at the leak detection port between the SSOV and Gas Shut Off Valve. If a gas pressure reading is observed replace the SSOV Valve and/or Actuator.

Benchmark 2500/3000 Dual Fuel & Propane Boilers

CHAPTER 8 – TROUBLESHOOTING GUIDE

TABLE 8-1: BOILER TROUBLESHOOTING – Continued

FAULT INDICATION	PROBABLE CAUSES	CORRECTIVE ACTION
SSOV FAULT DURING PURGE	See SSOV SWITCH OPEN	
SSOV FAULT DURING RUN	SSOV switch closed for 15 seconds during run.	1. Replace or adjust micro-switch in SSOV actuator. If fault persists, replace actuator.
SSOV RELAY FAILURE	<ol style="list-style-type: none"> 1. SSOV relay failed on IGST board. 2. Floating Neutral. 3. Hot and Neutral reversed at SSOV. 	<ol style="list-style-type: none"> 1. Press CLEAR button and restart unit. If fault persists, replace Ignition/Stepper (IGST) Board. 2. The Neutral and Earth Ground are not connected at the source and therefore there is a voltage measured between the two. Normally this measurement should be near zero or no more than a few millivolts. 3. Check SSOV power wiring.
SSOV SWITCH OPEN	<ol style="list-style-type: none"> 1. Actuator not allowing for full closure of gas valve 2. SSOV powered when it should not be 3. Defective Switch or Actuator 4. Incorrectly wired switch. 	<ol style="list-style-type: none"> 1. Observe operation of the Safety Shut-Off Valve (SSOV) through indicator on the Valve actuator and ensure that the valve is fully and not partially closing. 2. If the SSOV never closes, it may be powered continuously. Close the gas supply and remove power from the unit. Refer fault to qualified service personnel. 3. Remove the electrical cover from the SSOV and check switch continuity. If the switch does not show continuity with the gas valve closed, either adjust or replace the switch or actuator. 4. Ensure that the SSOV Proof of Closure switch is correctly wired.

Benchmark 2500/3000 Dual Fuel & Propane Boilers

CHAPTER 8 – TROUBLESHOOTING GUIDE

TABLE 8-1: BOILER TROUBLESHOOTING – Continued

FAULT INDICATION	PROBABLE CAUSES	CORRECTIVE ACTION
STEPPER MOTOR FAILURE	<ol style="list-style-type: none">1. Air/Fuel Valve out of calibration.2. Air/Fuel Valve unplugged.3. Loose wiring connection to the stepper motor.4. Defective Air/Fuel Valve stepper motor.5. Defective Power Supply Board or fuse6. Defective IGST Board	<ol style="list-style-type: none">1. Refer to GF-112 (C-More O & M) and perform the Stepper Feedback Calibration procedure in Section 6, section 6.2.1.2. Check that the Air/Fuel Valve is connected to the Control Box.3. Inspect for loose connections between the Air/Fuel Valve motor and the wiring harness.4. Replace stepper motor.5. Check DS1 & DS2 LEDs on Power Supply Board. If they are not steady ON, replace Power Supply Board.6. Check "Heartbeat" LED DS1 and verify it is blinking ON & OFF every second. If not, replace IGST Board.

Benchmark 2500/3000 Dual Fuel & Propane Boilers

CHAPTER 8 – TROUBLESHOOTING GUIDE

8.2 ADDITIONAL FAULTS WITHOUT SPECIFIC FAULT MESSAGES

Refer to Table 8-2 to troubleshoot faults which may occur without a specific fault message being displayed.

TABLE 8-2: BOILER TROUBLESHOOTING WITH NO FAULT MESSAGE DISPLAYED

OBSERVED INCIDENT	PROBABLE CAUSES	CORRECTIVE ACTION
Hard Light-Off	<ol style="list-style-type: none">1. Clogged/damaged Gas Injector on Igniter-Injector (Figure 8-1).2. Defective Staged Ignition Solenoid (Figure 8-1)	<ol style="list-style-type: none">1. Disconnect the Ignition Assembly solenoid from the Gas injector Tube of the Igniter-Injector (Figure 8-1) and inspect Gas Injector to ensure it is not clogged or damaged.2. Close the 2" Manual Shutoff Valve. Attempt to start the unit and listen for a "clicking" sound that the Staged Ignition Solenoid makes during Ignition Trial. If "clicking" sound is not heard after 2 or 3 attempts, replace the Staged Ignition Solenoid.
Fluctuating Gas Pressure	<ol style="list-style-type: none">1. Gas pressure going into unit is fluctuating.2. Damping Orifice not installed.	<ol style="list-style-type: none">1. Stabilize gas pressure going into unit. If necessary, troubleshoot Building Supply Regulator.2. Check to ensure that the Damping Orifice is installed in the SSOV Actuator shown in Figure 8-2. (For IRI (DBB) Gas Trains, the Damping Orifice is installed in the downstream SSOV Actuator).
Air/Fuel Valve "hunting" at the 80% Valve Position	<ol style="list-style-type: none">1. IGST and Power Supply Boards in Control Box are outdated.	<ol style="list-style-type: none">1. Check to ensure that the IGST and Power Supply Boards are Rev. E or higher.

Benchmark 2500/3000 Dual Fuel & Propane Boilers

CHAPTER 8 – TROUBLESHOOTING GUIDE

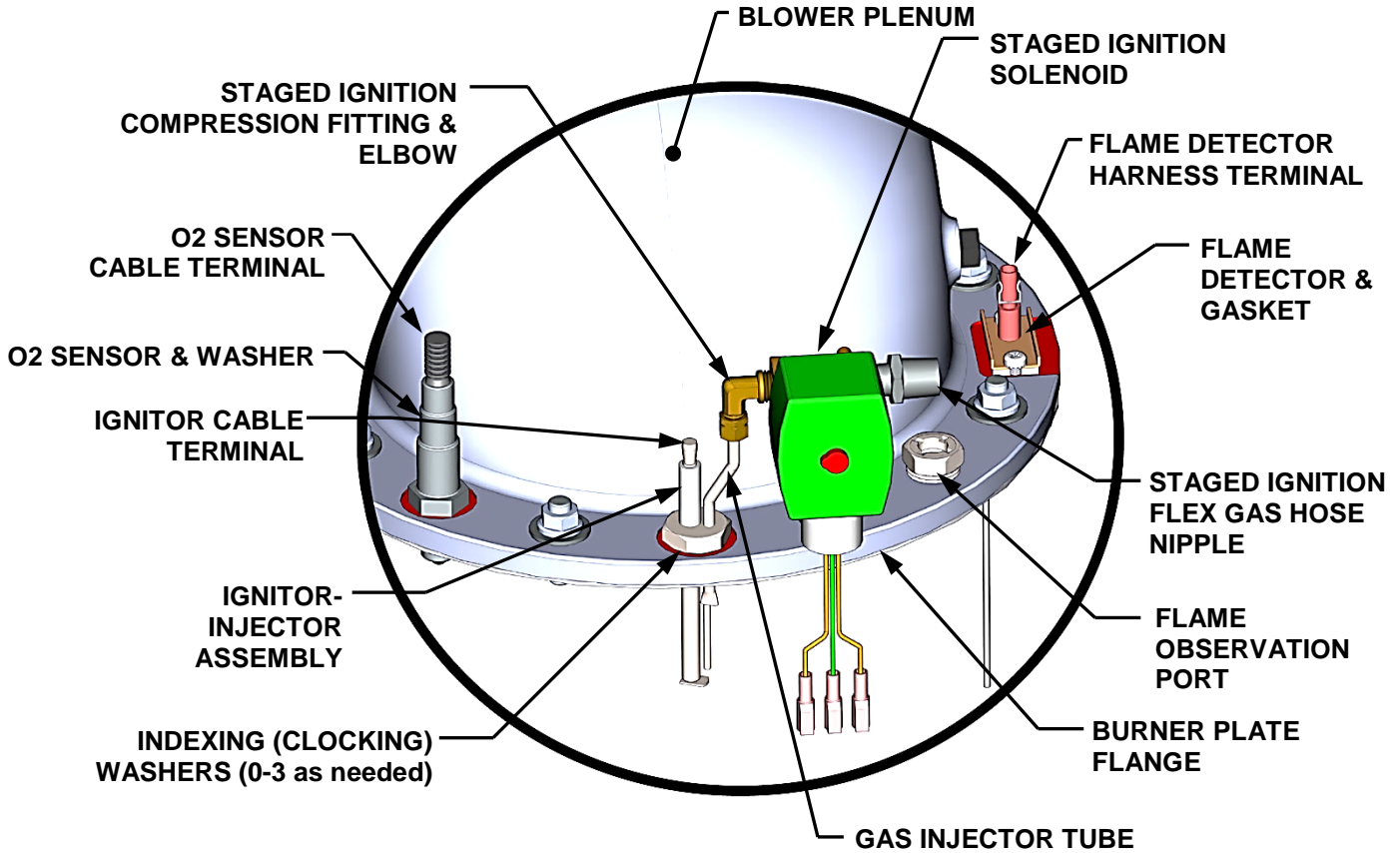


Figure 8-1: Igniter-Injector & Flame Detector Mounting Details

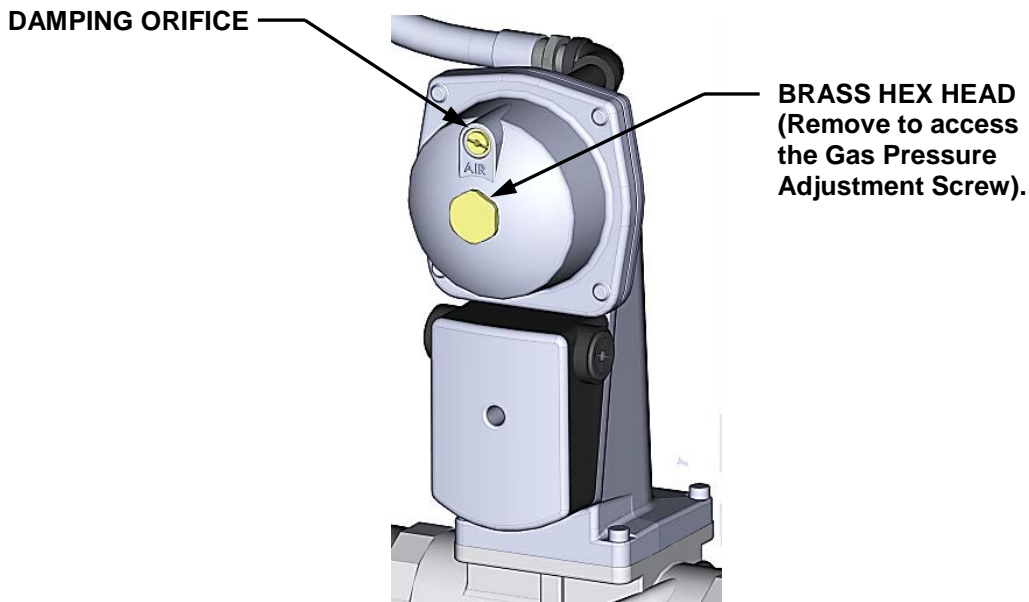


Figure 8-2: SSOV Actuator Gas Pressure Adjustment Screw Location

Benchmark 2500/3000 Dual Fuel & Propane Boilers

CHAPTER 8 – TROUBLESHOOTING GUIDE

(This page left intentionally blank)

CHAPTER 9: BOILER SEQUENCING TECHNOLOGY

9.1 INTRODUCTION

The C-More on-board Boiler Sequencing Technology system (BST) is an integrated 8 boiler control system designed into the C-More controller. The BST has its own sophisticated PID control system designed to simultaneously control the light off and modulation of up to 8 boilers while achieving maximum operational efficiency.

BST is designed to ensure that all Boilers in the system operate at maximum efficiency. This is accomplished by lighting off boilers only if all ignited boilers reach or exceed a defined Valve Position (Fire Rate). Operating all boilers below the defined Fire Rate “Next on VP” (for Next Turn on Valve Position) insures that they are firing at their most efficient Fire Rate. One C-More unit is defined as the MASTER unit and all other C-More units on the BST Modbus Network are defined as SLAVE units. The Master unit will monitor the system Header Temperature, monitor all Slave units’ status information and efficiently control all units in order to achieve and maintain the required BST Setpoint Temperature.

When there is a demand, the Master unit will light off one of the boilers based on the BST Sequencing selection in the BST menu. As system load increases and the valve position of the ignited units reach the Next On VP (% valve position), the BST master will light off the next available unit. A simplified block diagram of multiple Boilers connected to a BST is shown in Figure 9-1 below.

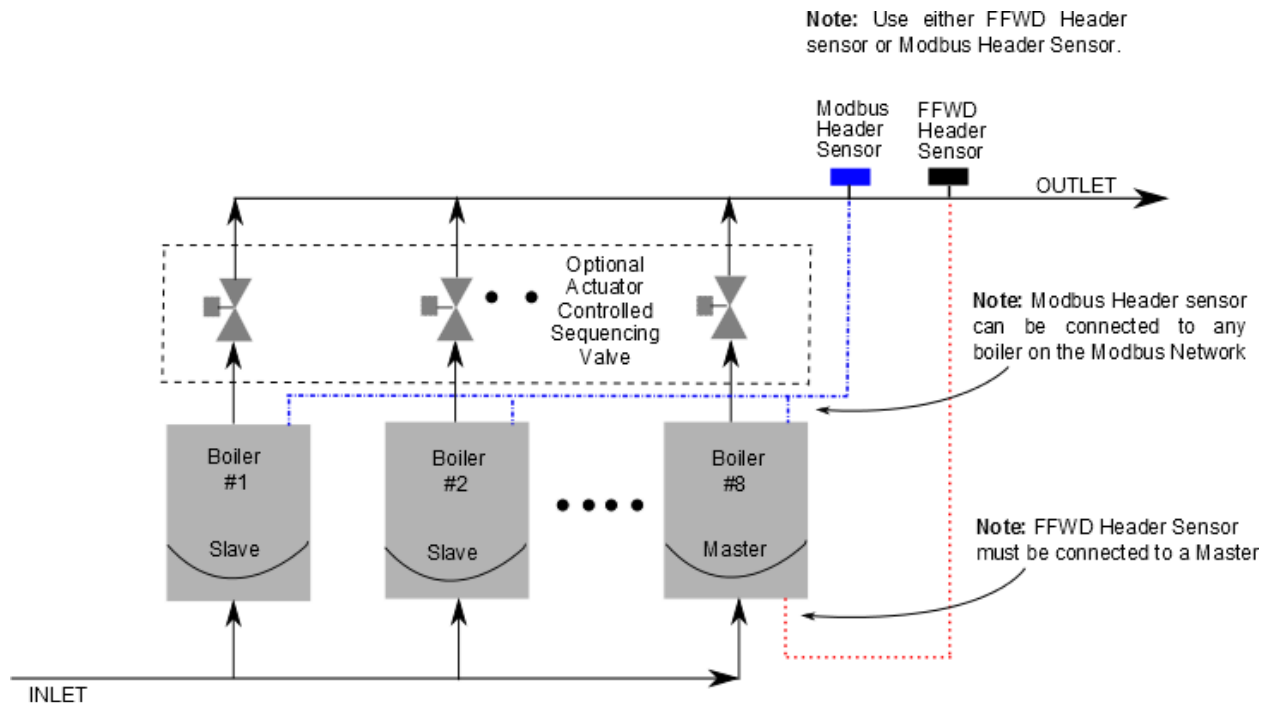


Figure 9-1. Simplified BST Block Diagram

Benchmark 2500/3000 Dual Fuel & Propane Boilers

CHAPTER 9. BOILER SEQUENCING TECHNOLOGY

9.1.1 Installation Notes

If you are installing a BST system that also includes a ProtoNode SSD (Slave-Slave Device), you **must** adhere to the procedure listed below. Failure to complete these steps can result in the failure of the BST system.

- a) Do **NOT** install the ProtoNode Device at the outset of the installation. If the ProtoNode Device is already installed, you must physically disconnect it from the MODbus network in I/O board.
- b) Make sure that the MODbus load and bias resistors are properly configured for the system to operate without the ProtoNode installed.
- c) Temporarily set the BST system for Constant Setpoint mode of operation (see below).
- d) Turn on and completely test the installation to verify that it is operating proper.
- e) Once the installation is working properly as a BST system, install the ProtoNode Device.
- f) Make sure that the MODbus load and bias resistors are properly configured for the system to operate with the ProtoNode installed.
- g) Set the BST system for desired mode of operation (Setpoint Mode).
- h) Test the system completely with the ProtoNode installed.

Benchmark 2500/3000 Dual Fuel & Propane Boilers

CHAPTER 9. BOILER SEQUENCING TECHNOLOGY

9.2 AERCO BST QUICK START CHART

Select the single option that suites your installation and then complete the instructions in the corresponding sub-sections of section 9.3 BST Implementation Instructions.

Constant Setpoint (choose option 1 or 2)

Option 1 – Direct Wired Header Complete section 9.3.1

OR

Option 2 – Modbus Header Complete section 9.3.2

Outdoor Reset (choose option 3 or 4)

Option 3 – Direct Wired Header AND Direct Wired Outdoor Air Complete section 9.3.3

OR

Option 4 – Modbus Header AND Modbus Outdoor Air Complete section 9.3.4

Remote Setpoint (choose option 5 through 8)

Option 5 – 4-20ma Drive AND Direct Wired Header Complete section 9.3.5

OR

Option 6 – Modbus Drive AND Direct Wired Header Complete section 9.3.6

OR

Option 7 – 4-20ma Drive AND Modbus Header Complete section 9.3.7

OR

Option 8 – Modbus Drive AND Modbus Header Complete section 9.3.8

9.3 BST IMPLEMENTATION INSTRUCTION

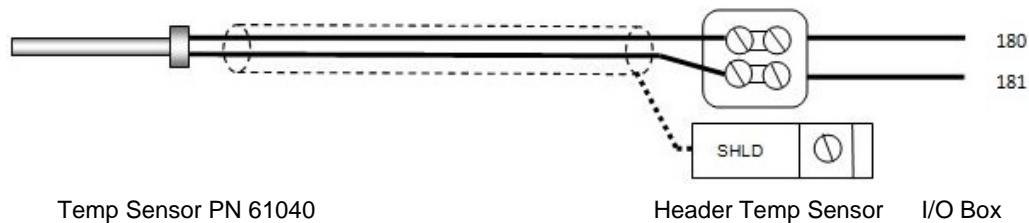
9.3.1 Option 1 - Constant Setpoint with DIRECT Wired Header Sensor

Step 1: Direct Wired Header Sensor Wiring

1. On the MASTER Unit, Connect the Header Temperature Sensor (P/N **61040**) to the Feed Forward (FFWD) terminals on the P-1 Harness Via the terminal block labeled **Header Temp sensor** in the I/O Box.

NOTES:

- The header sensor must be installed between 2 and 10 feet (0.61 and 3.1m) downstream of the LAST boiler in the plant's supply water header.
- Shielded pair 18 - 22 AWG cable is recommended for header sensor wiring. There is no polarity to be observed. The ground for the shield is at the "SHLD" terminal in the I/O the Box. The sensor end of the shield must be left free and ungrounded.



Step 2: Configure ALL C-More Units

On ALL Boilers:

1. Go to the **Configuration** menu item and set the **BST Menu** item to **Enabled**.
2. Go to the **Boiler Sequencing Menu** item and set the **BST Mode** item to **BST Slave** (for now).

On MASTER only:

3. Go to the **BST Setpoint** item and enter the desired Setpoint.
4. Go to the **BST Setup** menu item and set to **Enabled**.
5. Go to the **BST Setpoint Mode** item and select **Constant Setpoint**.
6. Go to the **Head Temp Source** item and select **FFWD Temp**.

When ALL C-More units have been configured:

7. Go to the **Boiler Sequencing Menu** item of the desired Master unit and set the **BST Mode** item to **BST MASTER**.

Benchmark 2500/3000 Dual Fuel & Propane Boilers

CHAPTER 9. BOILER SEQUENCING TECHNOLOGY

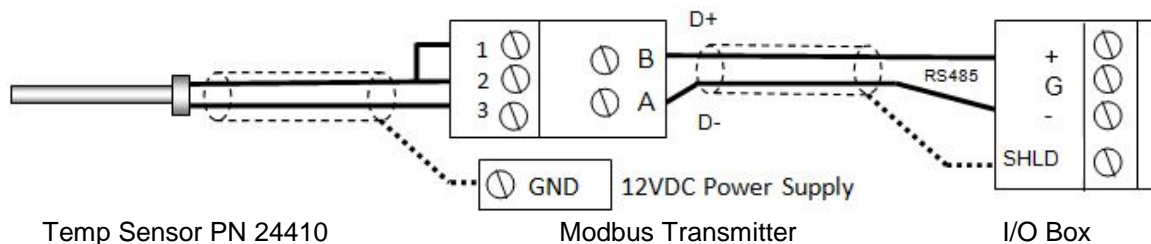
9.3.2 Option 2 - Constant Setpoint with MODBUS Wired Header Sensor

Step 1: MODbus Header Sensor Wiring

1. Using Shielded pair 18 - 22 AWG cable, connect the Temperature Transmitter (P/N **65169**) terminal Pin B to the RS485+ terminal on the I/O Box of any of the Boiler units, and Pin A of the Temperature Transmitter to the RS485- terminal on the I/O Box of any of the Boiler units.
2. Using Shielded pair 18 - 22 AWG cable, connect the Modbus Header Temperature Sensor (P/N **24410**) to pins 2 and 3 of the Temperature Transmitter.
3. Install a jumper wire between pins 1 and 2 of the Temperature Transmitter.

NOTES:

- Polarity must be observed for the RS485 connections.
- The ground for the shield is at the "SHLD" terminal in the I/O the Box.
- The header sensor must be installed between 2 and 10 feet (0.61 and 3.1m) downstream of the LAST boiler in the plant's supply water header.
- There is no polarity to be observed. The ground for the shield is at the power supply ground. The sensor end of the shield must be left free and ungrounded.



Step 2: Configure ALL C-More Units

On ALL Boilers:

1. Go to the **Configuration** menu item and set the **BST Menu** item to **Enabled**.
2. Go to the **Boiler Sequencing Menu** item and set the **BST Mode** item to **BST Slave** (for now).

On MASTER only:

3. Go to the **BST Setpoint** item and enter the desired Setpoint.
4. Go to the **BST Setup Menu** item and set to **Enabled**.
5. Go to the **BST Setpoint Mode** item and select Constant **Setpoint**.
6. Go to the **Head Temp Source** item and select **Network**.
7. Go to the **Header Temp Addr** item and enter the Modbus Address (240).
8. Go to the **Header Temp Point** item and enter the Modbus Point (14).

When ALL C-More units have been configured:

9. Go to the **Boiler Sequencing Menu** item of the desired Master unit and set the **BST Mode** item to **BST MASTER**.

Benchmark 2500/3000 Dual Fuel & Propane Boilers

CHAPTER 9. BOILER SEQUENCING TECHNOLOGY

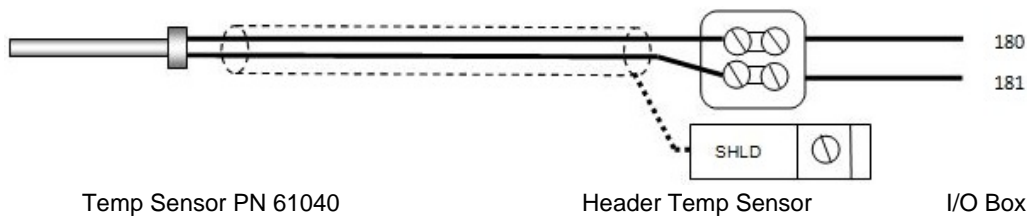
9.3.3 Option 3 - Outdoor Reset with DIRECT WIRED Header Sensor AND DIRECT WIRED Outdoor Sensor

NOTE: Both Header Sensor AND Outdoor Sensor must be wired. See the C-More Controller User Manual, OMM-0032, GF-112 and ProtoNode User Manual, OMM-0080, GF-129 for more information.

Step 1 - Direct Wired Header Sensor Wiring

1. On the MASTER Unit, connect the Header Temperature Sensor (P/N **61040**) to the Feed Forward (FFWD) terminals on the P-1 Harness Via the terminal block labeled **Header Temp sensor** in the I/O Box.

NOTES: The header sensor must be installed between 2 and 10 (0.61 and 3.1m) feet downstream of the LAST boiler in the plant's supply water header. Shielded pair 18 - 22 AWG cable is recommended for header sensor wiring. There is no polarity to be observed. The ground for the shield is at the "SHLD" terminal in the I/O the Box. The sensor end of the shield must be left free and ungrounded.

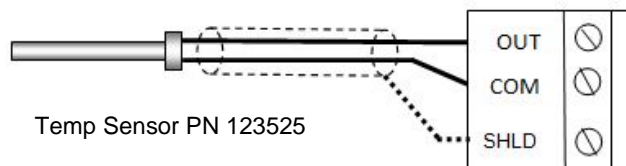


Step 2 - Direct Wired Outdoor Sensor

1. On the MASTER Unit, Connect the Outdoor Temperature Sensor (P/N **123525**) to the "OUT" and "COM" terminals in the I/O Box.

NOTES:

- Twisted shielded pair 18 - 22 AWG cable is recommended for header sensor wiring. There is no polarity to be observed. The ground for the shield is at the "SHLD" terminal in the I/O the Box. The sensor end of the shield must be left free and ungrounded.
- When mounting the Outdoor sensor, it must be located on the North side of the building where an average outside air temperature is expected. The sensor must be shielded from direct sunlight as well as impingement by the elements. The outdoor sensor may be wired up to 200 feet (61m) from the boiler.



Benchmark 2500/3000 Dual Fuel & Propane Boilers

CHAPTER 9. BOILER SEQUENCING TECHNOLOGY

Option 3 – Continued

Step 3 - Configure ALL C-More Units

On ALL Boilers:

1. Go to the **Configuration** menu item and set the **BST Menu** item to **Enabled**.
2. Go to the **Boiler Sequencing Menu** item and set the **BST Mode** item to **BST Slave** (for now).

On MASTER only:

3. Go to the **BST Setpoint** item and enter the Failsafe Setpoint.
4. Go to the **BST Setup Menu** item and set to **Enabled**.
5. Go to the **BST Setpoint Mode** item and select **Outdoor Reset**.
6. Go to the **Head Temp Source** item and select **FFWD Temp**.
7. Go to the **BST Outdoor Sens** item and select **Enabled**.
8. Go to the **Outdoor Temp Source** item and select **Outdoor Temp**.

When ALL C-More units have been configured:

9. Go to the **Boiler Sequencing Menu** item of the desired Master unit and set the **BST Mode** item to **BST MASTER**.

Benchmark 2500/3000 Dual Fuel & Propane Boilers

CHAPTER 9. BOILER SEQUENCING TECHNOLOGY

9.3.4 Option 4 - Outdoor Reset with MODBUS Header Sensor AND MODBUS Outdoor Sensor

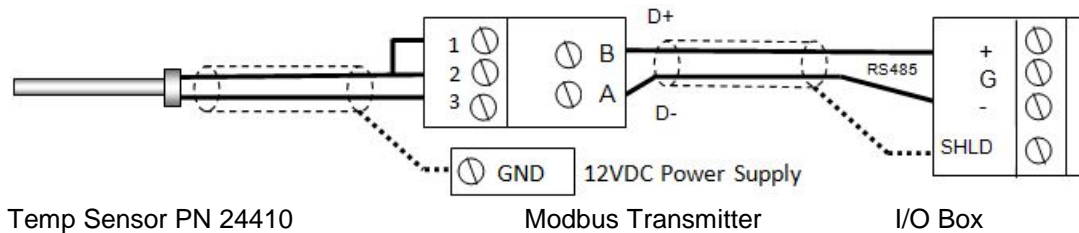
NOTE: Both Header Sensor AND Outdoor Sensor must be wired. See the C-More Controller User Manual, OMM-0032, GF-112 and ProtoNode User Manual, OMM-0080, GF-129 for more information.

Step 1 - Modbus Header Sensor Wiring

1. Using Shielded pair 18 - 22 AWG cable, connect the Temperature Transmitter (P/N **65169**) terminal Pin B to the RS485+ terminal on the I/O Box of any of the Boiler units, and Pin A of the Temperature Transmitter to the RS485- terminal on the I/O Box of any of the Boiler units.
2. Using Shielded pair 18 - 22 AWG cable, connect the Modbus Header Temperature Sensor (P/N **24410**) to pins 2 and 3 of the Temperature Transmitter.
3. Install a jumper wire between pins 1 and 2 of the Temperature Transmitter.

NOTES:

- Polarity must be observed for the RS485 connections. The ground for the shield is at the “SHLD” terminal in the I/O the Box.
- The header sensor must be installed between 2 and 10 feet (0.61 and 3.1m) downstream of the LAST boiler in the plant’s supply water header.
- There is no polarity to be observed. The ground for the shield is at the power supply ground. The sensor end of the shield must be left free and ungrounded.



Step 2 - Modbus Outdoor Sensor Wiring

1. If you have not already done so when installing the Modbus Header Sensor, use Shielded pair 18 - 22 AWG cable to connect the Temperature Transmitter terminal Pin B to the RS485+ terminal on the I/O Box of any of the Boiler units, and Pin A of the Temperature Transmitter to the RS485- terminal on the I/O Box of any of the Boiler units.
2. Using Shielded pair 18 - 22 AWG cable, connect the Modbus Header Temperature Sensor (P/N **24410**) to pins 2 and 3 of the Temperature Transmitter.
3. Install a jumper wire between pins 1 and 2 of the Temperature Transmitter.

NOTES:

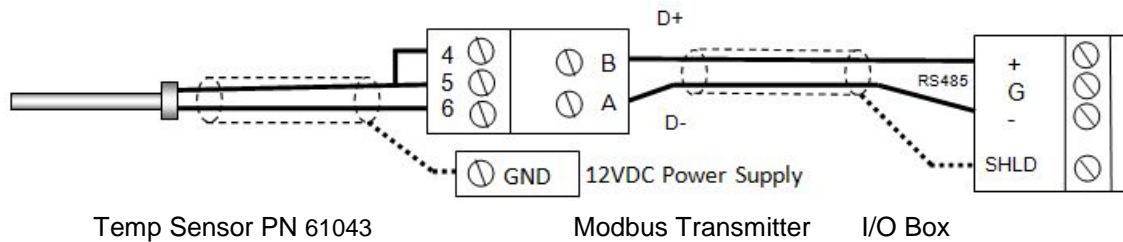
- Polarity must be observed for the RS485 connections. The ground for the shield is at the “SHLD” terminal in the I/O the Box.
- When mounting the Outdoor sensor, it must be located on the North side of the building where an average outside air temperature is expected. The sensor must be shielded from direct sunlight as well as impingement by the elements. The outdoor sensor may be wired up to 200 feet (61m) from the boiler.

Benchmark 2500/3000 Dual Fuel & Propane Boilers

CHAPTER 9. BOILER SEQUENCING TECHNOLOGY

Option 4 – Continued

- There is no polarity to be observed. The ground for the shield is at the power supply ground. The sensor end of the shield must be left free and ungrounded.



Step 3 - Configure ALL C-More Units

On ALL Boilers:

1. Go to the **Configuration** menu item and set the **BST Menu** item to **Enabled**.
2. Go to the **Boiler Sequencing Menu** item and set the **BST Mode** item to **BST Slave** (for now).

On MASTER only:

3. Go to the **BST Setpoint** item and enter the Failsafe Setpoint.
4. Go to the **BST Setup Menu** item and set to **Enabled**.
5. Go to the **BST Setpoint Mode** item and select **Outdoor Reset**.
6. Go to the **Head Temp Source** item and select **Network**.
7. Go to the **Header Temp Addr** item and enter the Modbus Address (240).
8. Go to the **Header Temp Point** item and enter the Modbus Point (14).
9. Go to the **BST Outdoor Sens** item and select **Enabled**.
10. Go to the **Outdoor Temp Source** item and select **Network**.
11. Go to the **Outdoor Temp Addr** item and enter the Modbus Address (240).
12. Go to the **Outdoor Temp Point** item and enter the Modbus Point (15).

When ALL C-More units have been configured:

13. Go to the **Boiler Sequencing Menu** item of the desired Master unit and set the **BST Mode** item to **BST MASTER**.

Benchmark 2500/3000 Dual Fuel & Propane Boilers

CHAPTER 9. BOILER SEQUENCING TECHNOLOGY

9.3.5 Option 5 - Remote Setpoint with DIRECT WIRED Header Sensor AND 4-20ma Setpoint Drive

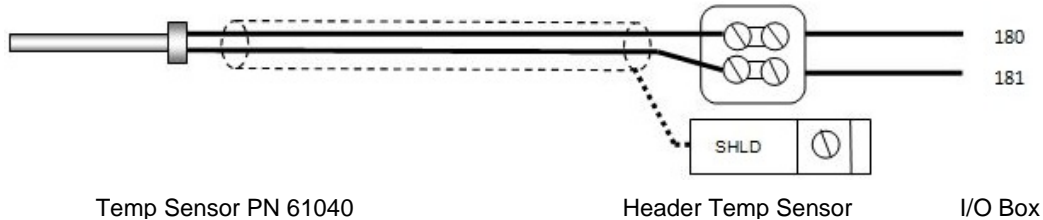
NOTE: Both Header Sensor AND 4-20ma Direct Drive must be wired. See the C-More Controller User Manual, OMM-0032, GF-112 and ProtoNode User Manual, OMM-0080, GF-129 for more information.

Step 1: Direct Wired Header Sensor Wiring

1. On the MASTER Unit, Connect the Header Temperature Sensor (P/N **61040**) to the Feed Forward (FFWD) terminals on the P-1 Harness Via the terminal block labeled **Header Temp sensor** in the I/O Box.

NOTES:

- The header sensor must be installed between 2 and 10 feet (0.61 and 3.1m) downstream of the LAST boiler in the plant's supply water header.
- Shielded pair 18 - 22 AWG cable is recommended for header sensor wiring.
- There is no polarity to be observed.
- The ground for the shield is at the "SHLD" terminal in the I/O the Box.
- The sensor end of the shield must be left free and ungrounded.

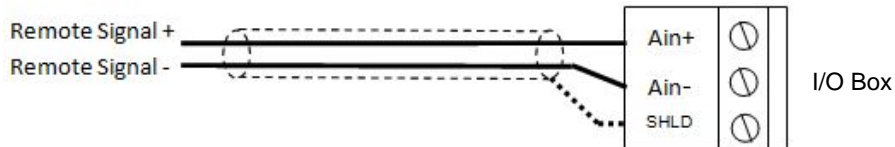


Step 2: Direct Wired 0-20ma or 4-20ma Wiring

1. Connect the 4-20ma or 0-20ma terminals from the Direct Drive source to the Ain+ and Ain- terminals on the Master Unit's I/O Box.

NOTE:

- Shielded pair 18 - 22 AWG cable is recommended for this connection. Polarity must be observed.
- The ground for the shield is at the driver signal source.



Benchmark 2500/3000 Dual Fuel & Propane Boilers

CHAPTER 9. BOILER SEQUENCING TECHNOLOGY

Option 5 – Continued

Step 3: Configure ALL C-More Units

On ALL Boilers:

1. Go to the **Configuration** menu item and set the **BST Menu** item to **Enabled**.
2. Go to the **Boiler Sequencing Menu** item and set the **BST Mode** item to **BST Slave** (for now).

On MASTER only:

3. Go to the **BST Setpoint** item and enter the Failsafe Setpoint.
4. Go to the **BST Setup Menu** item and set to **Enabled**.
5. Go to the **BST Setpoint Mode** item and select **Remote Setpoint**.
6. Go to the **Head Temp Source** item and select **FFWD Temp**.
7. Go to the **BST Remote Signal** and select either **4-20ma** or **0-20ma**.

When ALL C-More units have been configured:

8. Go to the **Boiler Sequencing Menu** item of the desired Master unit and set the **BST Mode** item to **BST MASTER**.

Benchmark 2500/3000 Dual Fuel & Propane Boilers

CHAPTER 9. BOILER SEQUENCING TECHNOLOGY

9.3.6 Option 6 - Remote Setpoint with DIRECT WIRED Header Sensor AND MODBUS Setpoint Drive

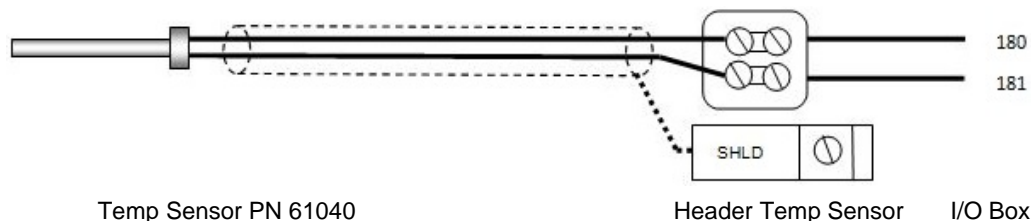
NOTE: Both Header Sensor AND the ProtoNode SSD Device must be wired. See the C-More Controller User Manual, OMM-0032, GF-112 and ProtoNode User Manual, OMM-0080, GF-129 for more information.

Step 1: Direct Wired Header Sensor Wiring

1. On the MASTER Unit, Connect the Header Temperature Sensor (P/N **61040**) to the Feed Forward (FFWD) terminals on the P-1 Harness Via the terminal block labeled **Header Temp sensor** in the I/O Box.

NOTES:

- The header sensor must be installed between 2 and 10 feet (0.61 and 3.1m) downstream of the LAST boiler in the plant's supply water header.
- Shielded pair 18 - 22 AWG cable is recommended for header sensor wiring. There is no polarity to be observed. The ground for the shield is at the "SHLD" terminal in the I/O the Box. The sensor end of the shield must be left free and ungrounded.



Step 2: Remote Setpoint with Network

1. Configure and Connect the SSD Device (ProtoNode) per the AERCO Manual (GF129).

Step 3: Configure ALL C-More Units

On ALL Boilers:

1. Go to the **Configuration** menu item and set the **BST Menu** item to **Enabled**.
2. Go to the **Boiler Sequencing Menu** item and set the **BST Mode** item to **BST Slave** (for now).

On Master only:

3. Go to the **BST Setpoint** item and enter the Failsafe Setpoint.
4. Go to the **BST Setup Menu** item and set to **Enabled**.
5. Go to the **BST Setpoint Mode** item and select **Remote Setpoint**.
6. Go to the **Head Temp Source** item and select **FFWD Temp**.
7. Go to the **BST Remote Signal** item and select **Network**.

When ALL C-More units have been configured:

8. Go to the **Boiler Sequencing Menu** item of the desired Master unit and set the **BST Mode** item to **BST MASTER**.

Benchmark 2500/3000 Dual Fuel & Propane Boilers

CHAPTER 9. BOILER SEQUENCING TECHNOLOGY

9.3.7 Option 7 - Remote Setpoint with MODBUS Header Sensor AND 4-20ma Setpoint Drive

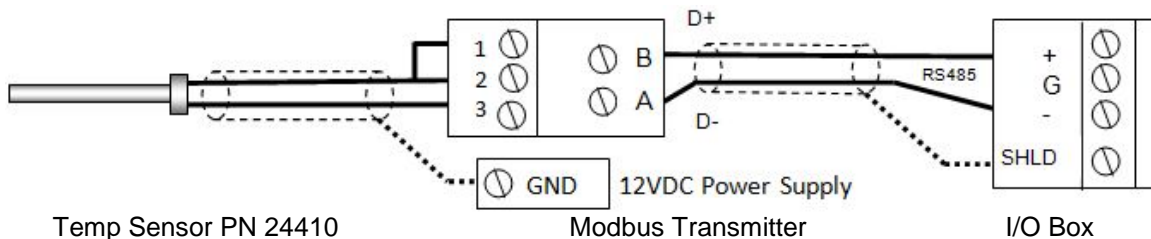
NOTE: Both Header Sensor AND 4-20ma Direct Drive must be wired. See the C-More Controller User Manual, OMM-0032, GF-112 and ProtoNode User Manual, OMM-0080, GF-129 for more information.

Step 1: MODbus Header Sensor

1. Using Shielded pair 18 - 22 AWG cable, Connect the Temperature Transmitter (P/N **65169**) terminal Pin B to the RS485+ terminal on the I/O Box of any of the Boiler units, and Pin A of the Temperature Transmitter to the RS485- terminal on the I/O Box of any of the Boiler units.
2. Using Shielded pair 18 - 22 AWG cable, connect the Modbus Header Temperature Sensor (P/N **24410**) to pins 2 and 3 of the Temperature Transmitter.
3. Install a jumper wire between pins 1 and 2 of the Temperature Transmitter.

NOTES:

- Polarity must be observed for the RS485 connections. The ground for the shield is at the "SHLD" terminal in the I/O the Box.
- The header sensor must be installed between 2 and 10 feet (0.61 and 3.1m) downstream of the LAST boiler in the plant's supply water header.
- There is no polarity to be observed. The ground for the shield is at the power supply ground. The sensor end of the shield must be left free and ungrounded.

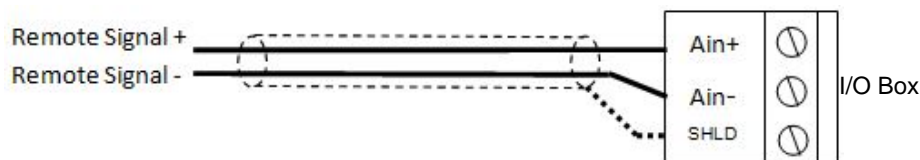


Step 2: Direct Wired 0-20ma or 4-20ma Wiring

1. Connect the 4-20ma or 0-20ma terminals from the Direct Drive source to the Ain+ and Ain- terminals on the Master.

NOTES:

- Unit's I/O Box. Shielded pair 18 - 22 AWG cable is recommended for this connection. Polarity must be observed.
- The ground for the shield is at the driver signal source.



Benchmark 2500/3000 Dual Fuel & Propane Boilers

CHAPTER 9. BOILER SEQUENCING TECHNOLOGY

Option 7 – Continued

Step 3: Configure ALL C-More Units

On ALL Boilers:

1. Go to the **Configuration** menu item and set the **BST Menu** item to **Enabled**.
2. Go to the **Boiler Sequencing Menu** item and set the **BST Mode** item to **BST Slave** (for now).

On MASTER only:

3. Go to the **BST Setpoint** item and enter the Failsafe Setpoint.
4. Go to the **BST Setup Menu** item and set to **Enabled**.
5. Go to the **BST Setpoint Mode** item and select Remote **Setpoint**.
6. Go to the **BST Remote Signal** and select either **4-20ma** or **0-20ma**.
7. Go to the **Head Temp Source** item and select **Network**.
8. Go to the **Header Temp Addr** item and enter the Modbus Address (240).
9. Go to the **Header Temp Point** item and enter the Modbus Point (14).

When ALL C-More units have been configured:

10. Go to the **Boiler Sequencing Menu** item of the desired Master unit and set the **BST Mode** item to **BST MASTER**.

Benchmark 2500/3000 Dual Fuel & Propane Boilers

CHAPTER 9. BOILER SEQUENCING TECHNOLOGY

9.3.8 Option 8 - Remote Setpoint with MODBUS Header Sensor AND MODBUS Setpoint Drive

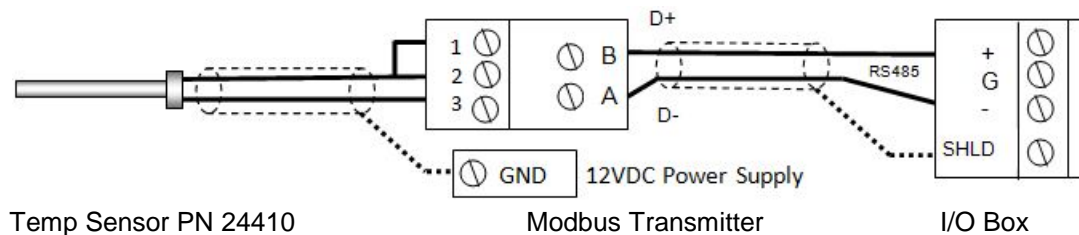
NOTE! Both Header Sensor AND ProtoNode SSD Device must be wired. See the C-More Controller User Manual, OMM-0032, GF-112 and ProtoNode User Manual, OMM-0080, GF-129 for more information.

Step 1: MODbus Header Sensor

1. Using Shielded pair 18 - 22 AWG cable, Connect the Temperature Transmitter (P/N **65169**) terminal Pin B to the RS485+ terminal on the I/O Box of any of the Boiler units, and Pin A of the Temperature Transmitter to the RS485- terminal on the I/O Box of any of the Boiler units.
2. Using Shielded pair 18 - 22 AWG cable, connect the Modbus Header Temperature Sensor (P/N **24410**) to pins 2 and 3 of the Temperature Transmitter.
3. Install a jumper wire between pins 1 and 2 of the Temperature Transmitter.

NOTES:

- Polarity must be observed for the RS485 connections. The ground for the shield is at the "SHLD" terminal in the I/O the Box.
- The header sensor must be installed between 2 and 10 feet (0.61 and 3.1m) downstream of the LAST boiler in the plant's supply water header.
- There is no polarity to be observed. The ground for the shield is at the power supply ground. The sensor end of the shield must be left free and ungrounded.



Step 2: Remote Setpoint with Network

1. Configure and Connect the SSD Device (ProtoNode) per the AERCO Manual (GF129).

Benchmark 2500/3000 Dual Fuel & Propane Boilers

CHAPTER 9. BOILER SEQUENCING TECHNOLOGY

Option 8 – Continued

Step 3: Configure ALL C-More Units

On ALL Boilers:

1. Go to the **Configuration** menu item and set the **BST Menu** item to **Enabled**.
2. Go to the **Boiler Sequencing Menu** item and set the **BST Mode** item to **BST Slave** (for now).

On MASTER only:

3. Go to the **BST Setpoint** item and enter the failsafe Setpoint.
4. Go to the **BST Setup Menu** item and set to **Enabled**.
5. Go to the **BST Setpoint Mode** item and select Remote **Setpoint**.
6. Go to the **BST Remote Signal** and select either **Network**.
7. Go to the **Head Temp Source** item and select **Network**.
8. Go to the **Header Temp Addr** item and enter the Modbus Address (240).
9. Go to the **Header Temp Point** item and enter the Modbus Point (14).

When ALL C-More units have been configured:

10. Go to the **Boiler Sequencing Menu** item of the desired Master unit and set the **BST Mode** item to **BST MASTER**.

Benchmark 2500/3000 Dual Fuel & Propane Boilers

APPENDIX A – BOILER MENU ITEM DESCRIPTIONS

APPENDIX A – BOILER MENU ITEM DESCRIPTIONS

TABLE A-1: OPERATING MENU ITEM DESCRIPTIONS

See section 3-4 for a range of choices and the default values.

Table A-1: OPERATING MENU ITEM DESCRIPTIONS		
MENU OPTIONS		DESCRIPTION
1	Active Setpoint	This is the setpoint temperature to which the control is set when operating in the Constant Setpoint, Remote Setpoint or Outdoor Reset Mode. When in the Constant Setpoint Mode, this value is equal to the Internal Setpoint setting in the <i>Configuration</i> menu. When in the Remote Setpoint Mode, this value is the setpoint equivalent to the remote analog signal supplied to the unit. When in the Outdoor Reset Mode, this is the derived value from the charts in Appendix E.
2	Inlet Temp	Displays the inlet water temperature.
3	Air Temp	Air Temp is the air temperature at the input to the Air/Fuel Valve. This reading is one of the parameters used to control the Blower Motor speed.
4	Outdoor Temp	Outdoor temperature is displayed in °F or °C, only if outdoor temperature sensor is installed and enabled.
5	Valve Position In	Desired input valve position. This would normally be the same as the fire valve position shown on the bar graph (valve position out) when the boiler is operating.
6	Valve Position Out	Displays actual real time Valve Position.
7	Exhaust Temp	Displays the exhaust temperature in °F (default) or °C.
8	Flame Strength	Displays flame strength from 0% to 100%.
9	Oxygen Level	Displays the real-time combustion oxygen (O ₂) level (%) measured by the O ₂ sensor.
10	Ignition Time	Displays the elapsed time between confirmation of gas valve opening (POC) until a stable flame is detected.
11	SSOV Time to OPN	Displays the elapsed time between 120VAC being applied to the Gas Valve and confirmation of gas valve opening (POC).
12	Spark Current	Displays the current going to the ignition transformer.
13	Run Cycles	Displays the total number of run cycles.
14	Run Hours	Displays total run time of unit in hours.
15	Fault Log	Displays information on the last 20 faults.

Benchmark 2500/3000 Dual Fuel & Propane Boilers

APPENDIX A – BOILER MENU ITEM DESCRIPTIONS

TABLE A-2: SETUP MENU ITEM DESCRIPTIONS

See section 3-5 for a range of choices and the default values.

SETUP MENU		
MENU OPTIONS		DESCRIPTION
1	Password	Allows Level 1 or Level 2 password to be entered. Entering the Level 1 Password (159) allows options in the Setup, <i>Configuration</i> and <i>Tuning</i> menus to be modified. Entering the Level 2 Password (6817) allows options in the Calibration and Diagnostics Menus to be changed or activated, in addition to all Level 1 Menu options.
2	Language	Permits selection of English, Spanish or French for displayed messages.
3	Time	Displays time from 12:00 am to 11:59 pm.
4	Date	Displays dates from 01/01/00 to 12/31/99
5	Unit of Temp	Permits selection of temperature displays in degrees Fahrenheit (°F) or degrees Celsius (°C).
6	Comm Address	For RS-485 communications (0 to 127). RS232 should have its own (programmable) password.
7	Baud Rate	Allows communications Baud Rate to be set (2400 to 19.2K). Default is 9600.
8	OnAER Mode	Allows selection of either Ethernet or SD Card
9	Min Upload Timer	Mandatory for AERCO OnAER Remote Data Collection (ORDC). This parameter enables ORDC and defines the minimum amount of time between heartbeat data uploads in seconds. The COMM LED will light during the upload.
10	Unit Alpha	Mandatory for AERCO OnAER Remote Data Collection. This value must match the first alpha digit on the Code Plate, e.g., G-12-1234 .
11	Unit Year	Mandatory for AERCO OnAER Remote Data Collection. This value must match the 2-digit year on the Code Plate, e.g., G- 12 -1234.
12	Unit Serial #	Mandatory for AERCO OnAER. Remote Data Collection. This value must match the 4-digit serial # on the Code Plate, e.g., G-12- 1234 .
13	Software Version	Identifies the current software version of the control box.

Benchmark 2500/3000 Dual Fuel & Propane Boilers

APPENDIX A – BOILER MENU ITEM DESCRIPTIONS

TABLE A-3: CONFIGURATION MENU ITEM DESCRIPTIONS

See section 3-6 for a range of choices and the default values.

The *Configuration* menu settings are Factory-Set in accordance with the requirements specified with each individual order. No changes will be required under normal operating conditions.

CONFIGURATION MENU		
	MENU OPTIONS	DESCRIPTION
1	Internal Setpoint	Allows internal setpoint to be set from 40°F to 240°F.
2	Unit Type	Can be one of the following: BMK Blr Std, BMK Blr Std Dual, BMK Blr LN, BMK Blr LN Dual.
3	Unit Size	Sets unit size, depending on the Unit Type: 2500 MBH for Benchmark 2500; 3000 MBH for Benchmark 3000
4	Fuel Type	Allows selection of Natural Gas or Propane.
5	Boiler Mode	Only if Unit Type = Boiler . Allows selection of: Constant Setpoint, Remote Setpoint, Direct Drive, Combination, or Outdoor Reset Mode.
6	Remote Signal	Only available if Mode = Remote Setpoint, Direct Drive or Combination. Used to set the type of external signal which will be used when operating in the Remote Setpoint, Direct Drive or Combination Mode.
7	Outdoor Sensor	Allows outdoor sensor function to be set to Enabled or Disabled.
8	Bldg Ref Temp	Only available if Boiler Mode = Outdoor Reset . Allows the building reference temperature to be set when operating a boiler in the Outdoor Reset Mode.
9	Reset Ratio	Only available if Boiler Mode = Outdoor Reset . Permits setting of Reset Ratio when operating boiler in the Outdoor Reset Mode.
10	System Start Tmp	Only if Outdoor Sensor = Enabled . This menu item allows the system start temperature to be set.
11	Setpt Lo Limit	Used to set the <i>minimum</i> allowable setpoint, from 40°F up to the Setpt Hi Limit.
12	Setpt Hi Limit	Used to set the <i>maximum</i> allowable setpoint, from the Setpt Lo Limit up to 210°F.
13	Temp Hi Limit	This is the maximum allowable outlet temperature, up to 210°F. Any temperature above this setting will turn off the unit. The temperature must then drop 5° below this setting to allow the unit to run.
14	Max Valve Position	Sets the maximum allowable valve position for the unit.
15	Pump Delay Timer	Specifies the amount of time, up to 30 minutes, to keep the pump running after the unit turns off.

Benchmark 2500/3000 Dual Fuel & Propane Boilers

APPENDIX A – BOILER MENU ITEM DESCRIPTIONS

CONFIGURATION MENU		
MENU OPTIONS		DESCRIPTION
16	Aux Start On Dly	Specifies the amount of time to wait, up to 120 seconds, between activating the Aux Relay (due to a demand) and checking the pre-purge string to start the boiler.
17	Failsafe Mode	Allows the Failsafe mode to be set to either Constant Setpoint or Shutdown.
18	Analog Output	Must be set to Valve Pos 0-10V for BMK 2500 and BMK 3000. DO NOT CHANGE from its default value.
19	Lo Fire Timer	Specifies how long, from 2 to 600 seconds, to remain in the low fire position after ignition, before going to the desired output.
20	Setpt Limiting	Setpoint Limiting can be Enabled or Disabled.
21	Setpt Limit Band	The Setpoint Limit Band can be set from 0°F to 10°F .
22	Network Timeout	Specifies the timeout value in seconds before a Modbus fault is declared, up to 999 seconds
23	Shutoff Dly Temp	This feature delays the shutdown of a boiler in order to reduce excessive cycling. This specifies the temperature value the Outlet Temperature is permitted to rise above setpoint before being shut down.
24	Demand Offset	<p>This entry will reduce excessive ON/OFF cycling in AUTO mode. When this entry is a non-zero value, the unit will not turn on again until <i>Valve Position In</i> reaches the Start Level value AND the Outlet Temperature goes below the <i>Active Setpoint – Demand Offset</i>. In addition, the boiler will fire at the 29% Valve Position level or below for a period of one minute.</p> <p>When this entry is set to zero, the unit will turn on again as soon as the <i>Valve Position in</i> reaches the <i>Start Level</i> value. There will not be a one minute delay when firing at the 29% Valve Position level.</p>

Benchmark 2500/3000 Dual Fuel & Propane Boilers

APPENDIX A – BOILER MENU ITEM DESCRIPTIONS

CONFIGURATION MENU		
MENU OPTIONS		DESCRIPTION
25	Deadband High	Deadband High and Deadband Low settings create an “Outlet Temperature” Zone in which no Valve Position corrections will be attempted. The Deadband ZONE is defined as operating with an Outlet Temperature between Active Setpoint + Deadband High and Active Setpoint – Deadband Low.
26	Deadband Low	When the Outlet Temperature reaches Active Setpoint and remains there for a period of 15 seconds, the unit will go into a DEADBAND MODE at which point no Valve Position corrections will be attempted while the Outlet Temperature remains anywhere within the Deadband ZONE. When the unit is in the DEADBAND MODE, the °F or °C LED will flash on and off. When the Outlet Temperature drifts out of the Deadband ZONE, the DEADBAND MODE will be terminated and the PID LOOP will again attempt Valve Position corrections. Setting range is 0 to 25. (Default is 5 for both Deadband High and Deadband Low)
27	IGST Version	Displays the version of the IGST Board installed.
28	IGN Time Setting	Displays the MAX Ignition time of 4 Seconds or 7 Seconds as set in the Safety String Harness.
29	Slow Shutdown	Set the Slow Shutdown feature to Enabled or Disabled.
30	Slow Sht Duration	If Slow Shutdown = Enabled , sets the time a boiler will continue to run at the Stop Level after running above the Slow Sht Threshold level, up to 9,999 seconds.
31	Slow Sht Threshold	Sets the Fire Rate above which a boiler will trigger the Slow Shutdown feature.
32	BST Menu	When set to Enabled, the BST menu options appear.

Benchmark 2500/3000 Dual Fuel & Propane Boilers

APPENDIX A – BOILER MENU ITEM DESCRIPTIONS

TABLE A-4: TUNING MENU ITEM DESCRIPTIONS

See section 3-7 for a range of choices and the default values.

TUNING MENU			
MENU OPTIONS		DESCRIPTION	
1	Prop Band	Generates a fire rate based on the error that exists between the setpoint temperature and the actual outlet temperature. If the actual error is less than the proportional band setting (1 to 120°F), the fire rate will be less than 100%. If the error is equal to or greater than the proportional band setting, the fire rate will be 100%.	
2	Integral Gain	This sets the fraction of the output, due to setpoint error, to add or subtract from the output each minute to move towards the setpoint. Gain is adjustable from 0.00 to 1.00 (Default is 1.0).	
3	Derivative Time	This value (0.0 to 2.0 min.) responds to the rate of change of the setpoint error. This is the time that this action advances the output.	
Warmup		The feature embodied in the next three menu items eliminates Temperature Overshoots during the “Warmup” period of a cold ignition cycle on all boilers by temporarily modifying the PID Gain parameter during warmup and for a period defined in the <i>Tuning</i> menu.	
4	Warmup Prop Band	Range = 1 - 120	Default = 95
5	Warmup Int Gain	Range = .00 – 2.00	Default = .50
6	Warmup PID Timer	Range = 0 - 240 seconds	Default = 20 seconds
5	Reset Defaults?	Allows <i>Tuning</i> menu options to be reset to their Factory Default values.	

Benchmark 2500/3000 Dual Fuel & Propane Boilers

APPENDIX A – BOILER MENU ITEM DESCRIPTIONS

TABLE A-5: COMBUSTION CALIBRATION MENU ITEM DESCRIPTIONS

NOTE

The Level 2 Password must be entered to view the options in this menu.
These options are used during the combustion calibration.

BENCHMARK 3000 COMBUSTION CAL MENU			
MENU OPTION			DESCRIPTION
	NATURAL GAS	PROPANE GAS	
1	CAL Voltage 14%	CAL Voltage 18%	Displays the default DC drive voltage provided to the blower at each of the Air/Fuel Valve positions show in the left-hand column. This drive voltage adjusts the rotational speed of the blower to maximize combustion efficiency.
2	CAL Voltage 30%	CAL Voltage 30%	
3	CAL Voltage 45%	CAL Voltage 45%	
4	CAL Voltage 65%	CAL Voltage 65%	
5	CAL Voltage 85%	CAL Voltage 85%	
6	CAL Voltage 100%	CAL Voltage 100%	
7	Set Valve Position		Permits selection of the Air/Fuel Valve position (% open) to be set from 0 to 100%.
8	Blower Output		Permits the DC drive voltage to the blower to be monitored.
9	Set Stby V out		Permits the Standby Voltage to be set from 0 to 4.00 Volts.
10	Oxygen Level		Permits the combustion oxygen level to be displayed (0% to 25%)

BENCHMARK 2500 COMBUSTION CAL MENU			
MENU OPTION			DESCRIPTION
	NATURAL GAS	PROPANE GAS	
1	CAL Voltage 16%	CAL Voltage 18%	Displays the default DC drive voltage provided to the blower at each of the Air/Fuel Valve positions show in the left-hand column. This drive voltage adjusts the rotational speed of the blower to maximize combustion efficiency.
2	CAL Voltage 20%	CAL Voltage 22%	
3	CAL Voltage 30%	CAL Voltage 30%	
4	CAL Voltage 45%	CAL Voltage 45%	
5	CAL Voltage 70%	CAL Voltage 70%	
6	CAL Voltage 100%	CAL Voltage 100%	
7	Set Valve Position		Permits selection of the Air/Fuel Valve position (% open) to be set from 0 to 100%.
8	Blower Output		Permits the DC drive voltage to the blower to be monitored.
9	Set Stby V out		Permits the Standby Voltage to be set from 0 to 4.00 Volts.
10	Oxygen Level		Permits the combustion oxygen level to be displayed (0% to 25%)

Benchmark 2500/3000 Dual Fuel & Propane Boilers

APPENDIX A – BOILER MENU ITEM DESCRIPTIONS

This Page Is Intentionally Blank

Benchmark 2500/3000 Dual Fuel & Propane Boilers

APPENDIX B – STARTUP, STATUS & DISPLAY MESSAGES

APPENDIX B – STARTUP, STATUS & DISPLAY MESSAGES

Table B-1: Startup, Status, And Display Messages

MESSAGE	DESCRIPTION
DEMAND DELAY XX sec	Displayed if Demand Delay is active.
DISABLED HH:MM pm, pm MM/DD/YY	Displayed if ON/OFF switch is set to OFF. The display also shows the time (am or pm) and date that the unit was disabled.
FLAME PROVEN	Displayed after flame has been detected for a period of 2 seconds. Initially, the flame strength is shown in %. After 5 seconds has elapsed, the time and date are shown in place of flame strength.
IGNITION TRIAL XX sec	Displayed during ignition trial of startup sequence. The duration of cycle counts up in seconds.
PURGING XX sec	Displayed during the purge cycle during startup. The duration of the purge cycle counts up in seconds.
STANDBY	Displayed when ON/OFF switch is in the ON position, but there is no demand for heat. The time and date are also displayed.
WAIT	Prompts the operator to wait.
WARMUP XX sec	Displayed for 2 minutes during the initial warm-up only.

Benchmark 2500/3000 Dual Fuel & Propane Boilers

APPENDIX B – STARTUP, STATUS & DISPLAY MESSAGES

Table B-1: Startup, Status, And Display Messages - Continued

FAULT MESSAGE	FAULT DESCRIPTION
AIRFLOW FAULT DURING PURGE	The Blower Proof Switch opened during purge, or air inlet is blocked.
AIRFLOW FAULT DURING IGN	The Blower Proof Switch opened during ignition.
AIRFLOW FAULT DURING RUN	The Blower Proof Switch opened during run.
DELAYED INTERLOCK OPEN	The Delayed Interlock is open.
DIRECT DRIVE SIGNAL FAULT	The direct drive signal is not present or is out of range.
FFWD TEMP SENSOR FAULT	The temperature measured by the Feed Forward (FFWD) Sensor is out of range.
FLAME LOSS DURING IGN	The Flame signal was not seen during ignition or lost within 5 seconds after ignition.
FLAME LOSS DURING RUN	The Flame signal was lost during run.
HEAT DEMAND FAILURE	The Heat Demand Relays on the Ignition board failed to activate when commanded.
HIGH EXHAUST TEMPERATURE	The Exhaust Temperature has exceeded 200°F.
GAS PRESSURE FAULT	The High Gas Pressure Limit Switch is open or the Low Gas Pressure Limit Switch is open.
HIGH WATER TEMPERATURE	The temperature measured by the Outlet Sensor exceeded the Temp Hi Limit setting.
HIGH WATER TEMP SWITCH OPEN	The High Water Temperature Limit Switch is open.
IGN BOARD COMM FAULT	A communication fault has occurred between the PMC board and Ignition board.
IGN SWTCH CLOSED DURING PURGE	The Ignition Position Limit switch on the Air/Fuel Valve closed during purge.
IGN SWTCH OPEN DURING IGNITION	The Ignition Position Limit switch on the Air/Fuel Valve opened during ignition.
INTERLOCK OPEN	The Remote Interlock is open.
LINE VOLTAGE OUT OF PHASE	The Line (Hot) and Neutral wires are reversed.

Benchmark 2500/3000 Dual Fuel & Propane Boilers

APPENDIX B – STARTUP, STATUS & DISPLAY MESSAGES

Table B-1: Startup, Status, And Display Messages - Continued

FAULT MESSAGE	FAULT DESCRIPTION
LOW WATER LEVEL	The Low Water Cutoff board is indicating low water level.
NETWORK COMM FAULT	The RS485 network information is not present or is corrupted.
O ₂ % OUT OF RANGE	The O ₂ % has gone below 3% or above 8%.
OUTDOOR TEMP SENSOR FAULT	The temperature measured by the Outdoor Air Sensor is out of range.
OUTLET TEMP SENSOR FAULT	The temperature measured by the Outlet Sensor is out of range: <ul style="list-style-type: none"> • OUTLET TEMPERATURE display = SHt Indicates sensor is shorted • OUTLET TEMPERATURE display = Opn indicates sensor is open-circuited
PRG SWTCH CLOSED DURING IGNITION	The Purge Position Limit Switch on the Air/Fuel Valve closed during ignition.
PRG SWTCH OPEN DURING PURGE	The Purge Position Limit Switch on the Air/Fuel Valve opened during purge.
REMOTE SETPT SIGNAL FAULT	The Remote Setpoint signal is not present or is out of range.
RESIDUAL FLAME	The Flame signal was seen for more than 60 seconds during standby.
SSOV SWITCH OPEN	The SSOV switch opened during standby.
SSOV FAULT DURING PURGE	The SSOV switch opened during purge.
SSOV FAULT DURING IGN	The SSOV switch closed or failed to open during ignition.
SSOV FAULT DURING RUN	The SSOV switch closed for more than 15 seconds during run.
SSOV RELAY FAILURE	A failure has been detected in one of the relays that control the SSOV.
STEPPER MOTOR FAILURE	The Stepper Motor failed to move the Air/Fuel Valve to the desired position.

Benchmark 2500/3000 Dual Fuel & Propane Boilers

APPENDIX B – STARTUP, STATUS & DISPLAY MESSAGES

This Page Is Intentionally Blank

Benchmark 2500/3000 Dual Fuel & Propane Boilers

APPENDIX C – SENSOR RESISTANCE/VOLTAGE CHART

APPENDIX C – SENSOR RESISTANCE/VOLTAGE CHART

Temperature Sensor Resistance Voltage Chart (Balco)

TEMP (°F)	RES (OHMS)	VOLTS*
-40	779.0	1.93
-30	797.5	1.96
-20	816.3	1.99
-10	835.4	2.02
0	854.8	2.05
10	874.6	2.07
20	894.7	2.10
30	915.1	2.12
40	935.9	2.15
50	956.9	2.17
60	978.3	2.20
70	1000.0	2.23
80	1022.0	2.25
90	1044.4	2.27
100	1067.0	2.30
110	1090.0	2.32
120	1113.3	2.34
130	1137.0	2.36
140	1160.9	2.39
150	1185.2	2.41
160	1209.5	2.43
170	1234.7	2.45
180	1260.0	2.47
190	1285.6	2.50
200	1311.4	2.52
210	1337.7	2.54
220	1364.2	2.56
230	1391.0	2.58
240	1418.2	
250	1445.7	

Benchmark 2500/3000 Dual Fuel & Propane Boilers

APPENDIX C – SENSOR RESISTANCE/VOLTAGE CHART

(This Page Is Intentionally Blank)

Benchmark 2500/3000 Dual Fuel & Propane Boilers

APPENDIX D: RECOMMENDED PERIODIC TESTING

APPENDIX D – RECOMMENDED PERIODIC TESTING

WARNING!

Periodic testing of all boiler controls and safety devices is required to determine that they are operating as designed. Precautions shall be taken while tests are being performed to protect against bodily injury and property damage. The owner or user of an automatic boiler system should set up a formal system of periodic preventive maintenance and testing. Tests should be conducted on a regular basis and the results recorded in a log-book.

Item	Frequency	Performed By	Remarks
Refer to indicated sections of this manual for detailed procedures			
Gauges, monitors and indicators	Daily	Operator	Visual inspection and record readings in operator log
Instrument and equipment settings	Daily	Operator	Visual check against factory recommended specifications
	Weekly	Operator	Verify factory settings
Firing Rate Control	Semi-Annually	Service Technician	Verify factory settings
	Annually	Service Technician	Check with combustion calibration test equipment. See sections 4.3 and 7.4.
Flue, vent, stack or intake air duct	Monthly	Operator	Visually inspection condition and check for obstructions
Spark Igniter-Injector	Weekly	Operator	See section 7.2
Air/Fuel Valve position	Weekly	Operator	Check position indicator dial (section 3.10)
SSOV Leakage test	Annually	Service Technician	Check for leakage in accordance with the SSOV manufacturer's (Siemens) recommendations.
Flame failure	Weekly	Operator	Close manual gas shutoff valve and check safety shutdown. See section 6.7
Flame signal strength	Weekly	Operator	Check flame strength using the Control Panel <i>Operating</i> menu. See section 3.4.
Low water level cut off and alarm	Weekly	Operator	See section 6.4
Slow drain test	Semi-Annually	Operator	Perform a slow drain test in accordance with ASME Boiler and Pressure Vessel Code, Section IV.
High water temperature safety control test	Annually	Service Technician	See section 6.5
Operating controls	Annually	Operator	See section 3.2
Low air flow	Monthly	Operator	See section 6.8
High and low gas pressure interlocks	Monthly	Operator	See sections 6.2 and 6.3
Air/Fuel Valve purge position switch	Annually	Service Technician	See section 6.10
Air/Fuel Valve ignition position switch	Annually	Service Technician	See section 6.11
Safety valves	As required	Operator	Check per A.S.M.E. Boiler and Pressure Vessel Code, Section IV
Inspect burner components	Semi-Annually	Service Technician	See section 7.6
Condensate Trap	Semi-Annually	Operator	See section 7.7
Oxygen (O ₂) Level	Monthly	Operator	Verify oxygen level is between 3% and 8% during boiler operation

Benchmark 2500/3000 Dual Fuel & Propane Boilers

APPENDIX D: RECOMMENDED PERIODIC TESTING

(This page intentionally blank)

Benchmark 2500/3000 Dual Fuel & Propane Boilers

APPENDIX E – INDOOR/OUTDOOR RESET RATIO CHARTS

APPENDIX E – INDOOR/OUTDOOR RESET RATIO CHARTS

Table E-1: Header Temperature for a Building Reference Temperature of 50F

Air Temp	RESET RATIO									
	0.6	0.8	1.0	1.2	1.4	1.6	1.8	2.0	2.2	2.4
50F	50	50	50	50	50	50	50	50	50	50
45F	53	54	55	56	57	58	59	60	60	62
40F	56	58	60	62	64	66	68	70	72	74
35F	59	62	65	68	71	74	77	80	83	86
30F	62	66	70	74	78	82	86	90	94	98
25F	65	70	75	80	85	90	95	100	105	110
20F	68	74	80	86	92	98	104	110	116	122
15F	71	78	85	92	99	106	113	120	127	134
10F	74	82	90	98	106	114	122	130	138	146
5F	77	86	95	104	113	122	131	140	149	158
0F	80	90	100	110	120	130	140	150	160	170
-5F	83	94	105	116	127	138	149	160	171	182
-10F	86	98	110	122	134	146	158	170	182	194
-15F	89	102	115	128	141	154	167	180	193	206
-20F	92	106	120	134	148	162	176	190	204	218

Table E-2: Header Temperature for a Building Reference Temperature of 60F

Air Temp	RESET RATIO									
	0.6	0.8	1.0	1.2	1.4	1.6	1.8	2.0	2.2	2.4
60F	60	60	60	60	60	60	60	60	60	60
55F	63	64	65	66	67	68	69	70	71	72
50F	66	68	70	72	74	76	78	80	82	84
45F	69	72	75	78	81	84	87	90	93	96
40F	72	76	80	84	88	92	96	100	104	108
35F	75	80	85	90	95	100	105	110	115	120
30F	78	84	90	96	102	108	114	120	126	132
25F	81	88	95	102	109	116	123	130	137	144
20F	84	92	100	108	116	124	132	140	148	156
15F	87	96	105	114	123	132	141	150	159	168
10F	90	100	110	120	130	140	150	160	170	180
5F	93	104	115	126	137	148	159	170	181	192
0F	96	108	120	132	144	156	168	180	192	204
-5F	99	112	125	138	151	164	177	190	203	216
-10F	102	116	130	144	158	172	186	200	214	
-15F	105	120	135	150	165	180	195	210		
-20F	108	124	140	156	172	188	204			

Benchmark 2500/3000 Dual Fuel & Propane Boilers

APPENDIX E – INDOOR/OUTDOOR RESET RATIO CHARTS

Table E-3: Header Temperature for a Building Reference Temperature of 65F

Air Temp	RESET RATIO									
	0.6	0.8	1.0	1.2	1.4	1.6	1.8	2.0	2.2	2.4
65	65	65	65	65	65	65	65	65	65	65
60	68	69	70	71	72	73	74	75	76	77
55	71	73	75	77	79	81	83	85	87	89
50	74	77	80	83	86	89	92	95	98	101
45	77	81	85	89	93	97	101	105	109	113
40	80	85	90	95	100	105	110	115	120	125
35	83	89	95	101	107	113	119	125	131	137
30	86	93	100	107	114	121	128	135	142	149
25	89	97	105	113	121	129	137	145	153	161
20	92	101	110	119	128	137	146	155	164	173
15	95	105	115	125	135	145	155	165	175	185
10	98	109	120	131	142	153	164	175	186	197
5	101	113	125	137	149	161	173	185	197	209
0	104	117	130	143	156	169	182	195	208	
-5	107	121	135	149	163	177	191	205	219	
-10	110	125	140	155	170	185	200	215		
-15	113	129	145	161	177	193	209			
-20	116	133	150	167	201	218				

Table E-4: Header Temperature for a Building Reference Temperature of 70F

Air Temp	RESET RATIO									
	0.6	0.8	1.0	1.2	1.4	1.6	1.8	2.0	2.2	2.4
70F	70	70	70	70	70	70	70	70	70	70
65F	73	74	75	76	77	78	79	80	81	82
60F	76	78	80	82	84	86	88	90	92	94
55F	79	82	85	88	91	94	97	100	103	106
50F	82	86	90	94	98	102	106	110	114	118
45F	85	90	95	100	105	110	115	120	125	130
40F	88	94	100	106	112	118	124	130	136	142
35F	91	98	105	112	119	126	133	140	147	154
30F	94	102	110	118	126	134	142	150	158	166
25F	97	106	115	124	133	142	151	160	169	178
20F	100	110	120	130	140	150	160	170	180	190
15F	103	114	125	136	147	158	169	180	191	202
10F	106	118	130	142	154	166	178	190	202	214
5F	109	122	135	148	161	174	187	200	213	
0F	112	126	140	154	168	182	196	210		
-5F	115	130	145	160	175	190	205			
-10F	118	134	150	166	182	198	214			
-15F	121	138	155	172	189	206				
-20F	124	142	160	178	196	214				

Benchmark 2500/3000 Dual Fuel & Propane Boilers

APPENDIX E – INDOOR/OUTDOOR RESET RATIO CHARTS

Table E-5: Header Temperature for a Building Reference Temperature of 75F

Air Temp	RESET RATIO									
	0.6	0.8	1.0	1.2	1.4	1.6	1.8	2.0	2.2	2.4
75F	75	75	75	75	75	75	75	75	75	75
70F	78	79	80	81	82	83	84	85	86	87
65F	81	83	85	87	89	91	93	95	97	99
60F	84	87	90	93	96	99	102	105	108	111
55F	87	91	95	99	103	107	111	115	119	123
50F	90	95	100	105	110	115	120	125	130	135
45F	93	99	105	111	117	123	129	135	141	147
40F	96	103	110	117	124	131	138	145	152	159
35F	99	107	115	123	131	139	147	155	163	171
30F	102	111	120	129	138	147	156	165	174	183
25F	105	115	125	135	145	155	165	175	185	195
20F	108	119	130	141	152	163	174	185	196	207
15F	111	123	135	147	159	171	183	195	207	219
10F	114	127	140	153	166	179	192	205	218	
5F	117	131	145	159	173	187	201	215		
0F	120	135	150	165	180	195	210			
-5F	123	139	155	171	187	203	219			
-10F	126	143	160	177	194	211				
-15F	129	147	165	183	201	219				

Table E-6: Header Temperature for a Building Reference Temperature of 80F

Air Temp	RESET RATIO									
	0.6	0.8	1.0	1.2	1.4	1.6	1.8	2.0	2.2	2.4
80F	80	80	80	80	80	80	80	80	80	80
75F	83	84	85	86	87	88	89	90	91	92
70F	86	88	90	92	94	96	98	100	102	104
65F	89	92	95	98	101	104	107	110	113	116
60F	92	96	100	104	108	112	116	120	124	128
55F	95	100	105	110	115	120	125	130	135	140
50F	98	104	110	116	122	128	134	140	146	152
45F	101	108	115	122	129	136	143	150	157	164
40F	104	112	120	128	136	144	152	160	168	176
35F	107	116	125	134	143	152	161	170	179	188
30F	110	120	130	140	150	160	170	180	190	200
25F	113	124	135	146	157	168	174	190	201	212
20F	116	128	140	152	164	176	188	200	212	
15F	119	132	145	158	171	184	197	210		
10F	122	136	150	164	178	192	206			
5F	125	140	155	170	185	200	215			
0F	128	144	160	176	192	208				
-5F	131	148	165	182	199	216				
-10F	134	152	170	188	206					

Benchmark 2500/3000 Dual Fuel & Propane Boilers

APPENDIX E – INDOOR/OUTDOOR RESET RATIO CHARTS

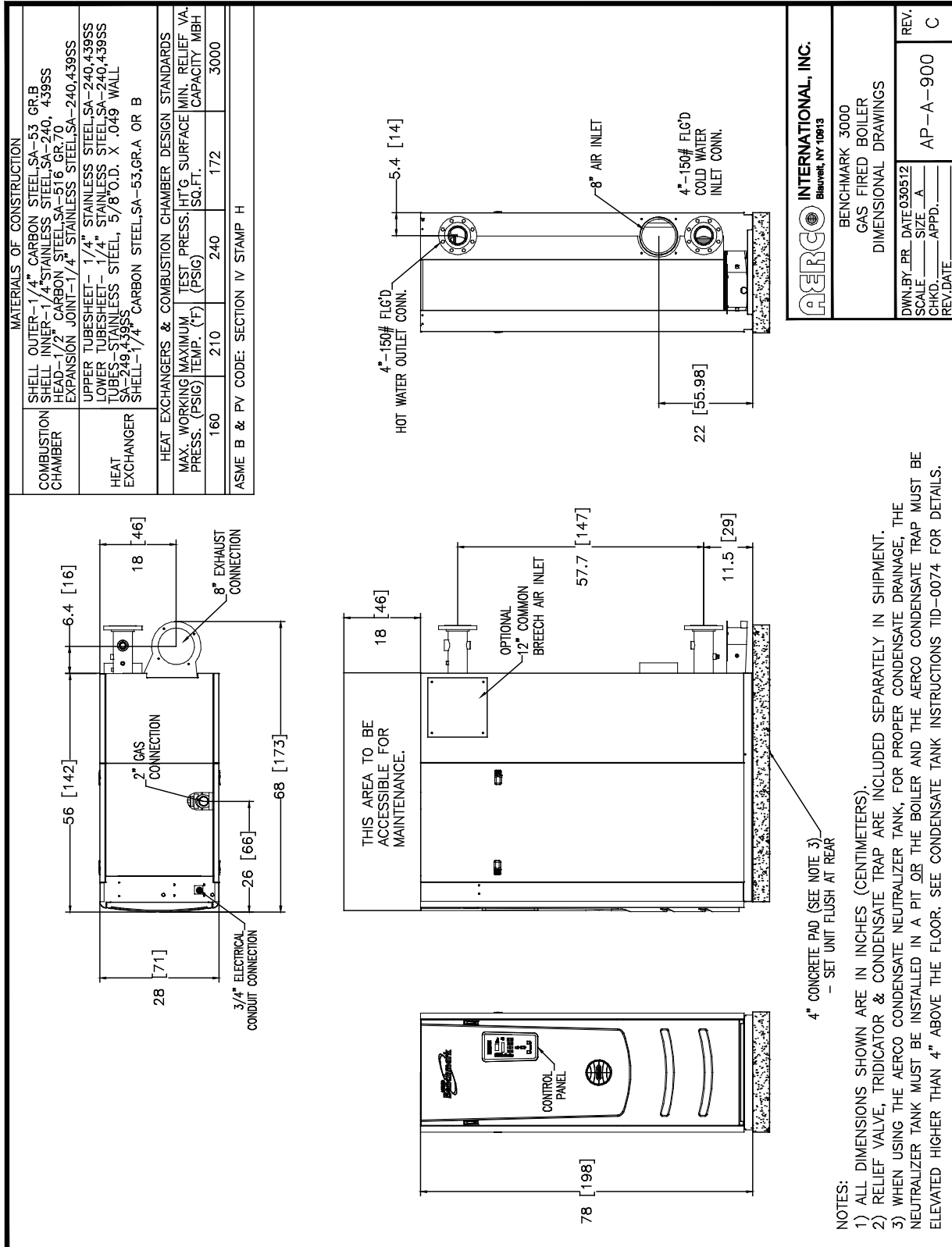
Table E-7: Header Temperature for a Building Reference Temperature of 90F

Air Temp	RESET RATIO									
	0.6	0.8	1.0	1.2	1.4	1.6	1.8	2.0	2.2	2.4
90F	90	90	90	90	90	90	90	90	90	90
85F	93	94	95	96	97	98	99	100	101	102
80F	96	98	100	102	104	106	108	110	112	114
75F	99	102	105	108	111	114	117	120	123	126
70F	102	106	110	114	118	122	126	130	134	138
65F	105	110	115	120	125	130	135	140	145	150
60F	108	114	120	126	132	138	144	150	156	162
55F	111	118	125	132	139	146	153	160	167	174
50F	114	122	130	138	146	154	162	170	178	186
45F	117	126	135	144	153	162	171	180	189	198
40F	120	130	140	150	160	170	180	190	200	210
35F	123	134	145	156	167	178	189	200		
30F	126	138	150	162	174	186	198	210		
25F	129	142	155	168	181	194	207			
20F	132	146	160	174	188	202	216			
15F	135	150	165	180	195	210				
10F	138	154	170	186	202	218				
5F	141	158	175	192	209					
0F	144	162	180	198	216					

Benchmark 2500/3000 Dual Fuel & Propane Boilers

APPENDIX F: DIMENSIONAL DRAWING

APPENDIX F - DIMENSIONAL DRAWING

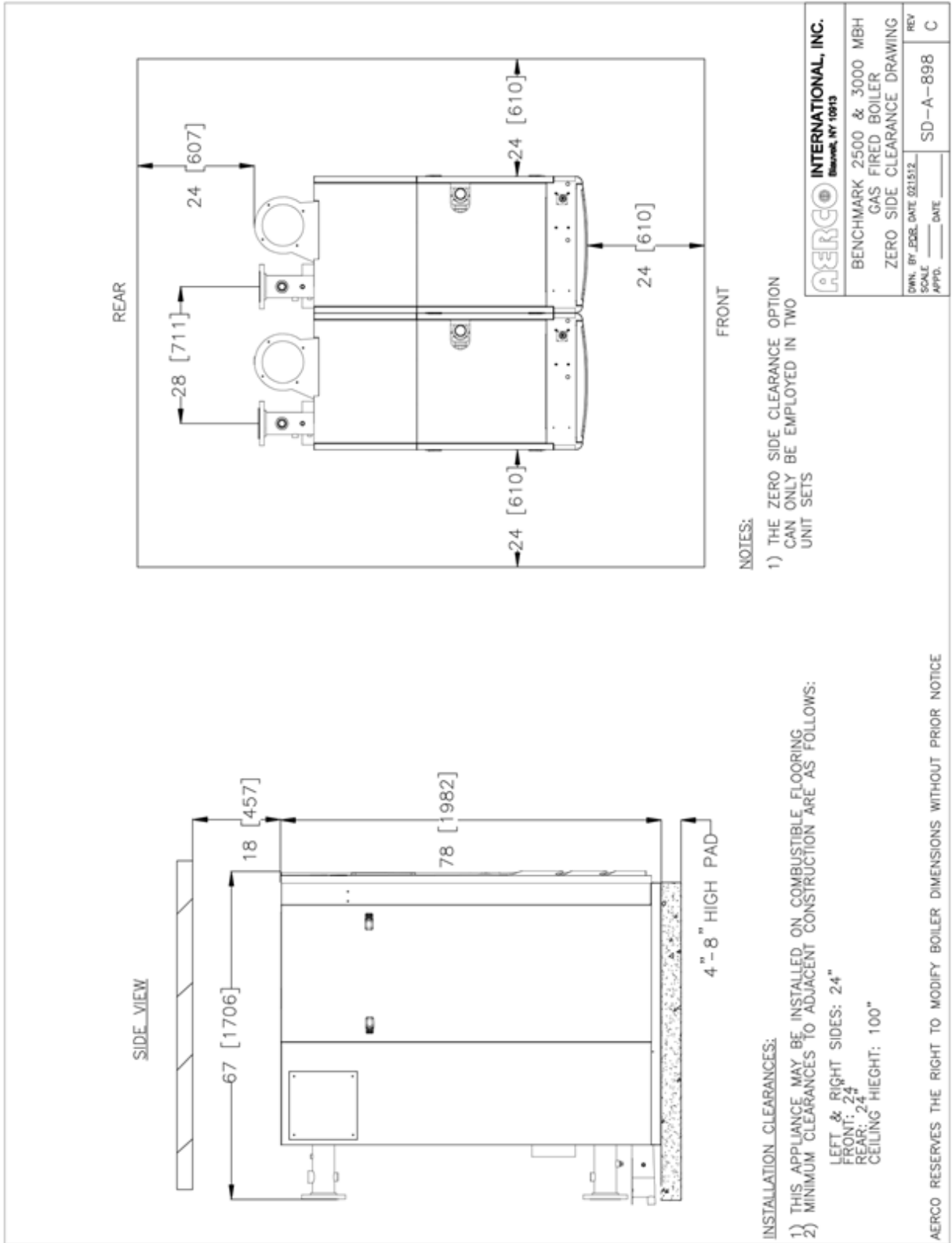


Drawing Number: AP-A-900 rev C

Benchmark 2500/3000 Dual Fuel & Propane Boilers

APPENDIX G: CLEARANCE DRAWINGS

APPENDIX G - CLEARANCE DRAWINGS



Drawing Number: SD-A-898 rev C

Benchmark 2500/3000 Dual Fuel & Propane Boilers

APPENDIX H – PART LIST DRAWINGS

APPENDIX H – PART LIST DRAWINGS

Benchmark 2500DF – 3000DF Part List							
Item #	Qty	Part #	Description	Item #	Qty	Part #	Description
EXHAUST MANIFOLD				CONTROLS (Continued)			
1	1	39156	MANIFOLD: EXHAUST	31	1	181197	CONTROL BOX: C-MORE
2	1	84040	SEAL: MANIFOLD	32	1	65085	IGNITION TRANSFORMER
3	6	9-22	PIPE PLUG: 1/4" NPT: STEEL	33 ❶	1	63108	SSOV/RELAY JUMPER
GAS TRAIN				34	1	93230	SNUBBER
				35	1	64081	ECU
4	1	22174	FM DF GAS TRAIN ASSY BMK 3000	36	1	65011	TRANSFORMER 115V/24V 100VA
		22183	DBB DF GAS TRAIN BMK 3000	37	1	65109	12V POWER SUPPLY
		22210	FM DF GAS TRAIN ASSY BMK 2500	38 ❶	1	69161-1	DIN RAIL
		22209	DBB DF GAS TRAIN BMK 2500	39	2	65120	TERMINAL BLOCK: DIN MOUNTED: BLK
BURNER, AIR/FUEL VALVE & HEAT EXCHANGER				40	2	65121	TERMINAL BLOCK: DIN MOUNTED: WHT
8	1	46038	BURNER BMK 3000	41	3	65122	TERMINAL GROUND BLOCK: DIN MOUNTED
		46039	BURNER BMK 2500	42	2	65118	FUSE TERMINAL: DIN MOUNTED
9	1	26014-3	BMK 3000 BURNER ASSY	43	1	64088	LIMIT CONTROL TEMPERATURE, DIGITAL CONTROLLER
		26015-3	BMK 2500 BURNER ASSY (460V)	44 ❶	1	38035	I/O PANEL COVER
10	1	24277	STAGED IGNITION ASSY	45 ❶	1	38036	POWER PANEL COVER
11	1	81180	BURNER GASKET	46	1	65128	3 POLE 20A BREAKER
12	1	81173	RELEASE GASKET	47 ❶	2	124512	FUSE: 4 AMP
13	1	81185	LOWER RELEASE GASKET	48	1	123449	SENSOR: TEMPERATURE
14	1	43090	AIR/FUEL VALVE PLENUM	49	1	58132	THERMOWELL
15	1	24220	AIR/FUEL VALVE	50 ❶	1	63105	I/O SENSOR/COMM HARNESS
				51 ❶	1	63104	I/O INTERLOCK HARNESS
				52	2	69141	DIN RAIL MOUNT END STOP
HOSES, GASKETS & INSULATION				53 ❷	1	124310	TRANSFORMER 460V
16 ❶	1	97005-4	FLEX TUBE 72"	54	1	33170	MOUNTING PANEL
17	1	80081	SHELL INSULATION	55	1	124324	GROUND BAR
BLOWER				56	1	63035	FUEL SELECTOR SWITCH
18	1	24350 ❷	BLOWER - 460V	57 ❶	1	63103	SHELL HARNESS
		24351	BLOWER - 208V	58 ❶	1	63109	GAS TRAIN HARNESS: BMK 3000
19	1	81157	BLOWER GASKET	59	1	61024	AIR INLET TEMPERATURE SENSOR
20	1	88015	BLOWER O-RING	60	1	123449	SENSOR: TEMPERATURE
21	1	66034	FLAME DETECTOR	61	1	61030	SENSOR: OUTLET TEMPERATURE
22	1	61026	LEAN OXYGEN SENSOR	62	1	69151	PCB ASSY
23	1	59104	OBSERVATION PORT	63 ❶	1	63110	BLOWER CONTROL WIRE
24	1	58023	IGNITOR REPLACEMENT KIT	64 ❶	1	65104	CABLE, H.V. IGNITION
25	1	88014	AIR FILTER	65 ❶	1	63059	HARNESS: DRIVE REACTOR BMK 3.0
26	1	43091	BLOWER PLENUM	66 ❶	1	63083	HARNESS: O2 SENSOR
				67 ❶	1	63111	HARNESS: CONTROL
CONTROLS				68 ❶❷	1	63004	HARNESS: 460V TRANSFORMER
27	1	123966	ADJUSTABLE OVER TEMP LIMIT SWITCH	69 ❶	1	63090	HARNESS ASSY: TEMP LIM CONT PWR
28	1	123552	OVER TEMP-MANUAL RESET SWITCH	70	1	65162	24V POWER SUPPLY (Sequencing Valve)
29	1	60011-2	BLOWER PROOF SWITCH	71 ❶		61034	SPARK MONITOR
30	1	61002-5	BLOCKED INLET SWITCH -4.5" W.C.				

❶ Not shown on drawing

❷ Use only for 460 v units

AERCO International, Inc. Blauvelt, NY 10913	Benchmark 2500DF – 3000DF Part List	02/10/2014
	Whole Boiler 28536-5 – 28382-5	Sheet 1 of 8

Benchmark 2500/3000 Dual Fuel & Propane Boilers

APPENDIX H – PART LIST DRAWINGS

Item #	Qty	Part #	Description	Item #	Qty	Part #	Description
SHEET METAL/PANEL ASSEMBLY				OTHER ACCESSORIES & PARTS			
72	1	30115	BACK PANEL: LEFT	85	2	38034	AIR INLET COVER PANEL
73 ❶	1	30116	BACK PANEL RIGHT	87 ❶	1	123675-7	PRESSURE/TEMP GAUGE
74	2	35022	TOP RAIL	88 ❶	1	SEE TABLE A	PRESSURE RELIEF VALVE
75	1	25072	FRONT FRAME ASSEMBLY	89	1	123540	EXT. MANUAL SHUT-OFF VALVE
76	1	25078	FRONT PANEL	90	1	69126	LOW WATER CUTOFF/CAPACITOR ASSY
77	1	72068	DOME LABEL	91	1	123863	1/8" NTP BALL VALVE
78	2	59179	HANDEL, CONCEALED	92	1	92094	3/4" DRAIN VALVE
79	4	59133	LATCH	93 ❶	1	59043	CONDENSATE FLOAT
80	1	30118	FRONT TOP PANEL	94 ❶	1	24060	COND. TRAP ASSY
81	1	30119	BACK TOP PANEL	95	1	59178	1/8" AIR VENT
82	2	30117	SIDE PANEL	96	1	90052	NIPPLE 1/8" X 1.50 LG
83	1	74027	BMK 3000 LOGO	97 ❷	1	24353-1	I/O- POWER BOX ASSY, 20A 460V
		74030	BMK 2500 LOGO			24353-2	I/O- POWER BOX ASSY, 208V
84		39164	AIR INLET ADAPTER, 8"	100 ❶	1	92084-6	MOTORIZED SEQUENCING VALVE (OPTIONAL)

❶ Not shown on drawing

❷ Use only for 460 v units

TABLE A		
Item 88	Description	Available in Kit No.
92016-1	30 PSI KIT (CONBRACO)	58068-C30
92016-2	50 PSI KIT (CONBRACO)	58068-C50
92016-3	60 PSI KIT (CONBRACO)	58068-C60
92016-4	75 PSI KIT (CONBRACO)	58068-C75
92016-5	100 PSI KIT (CONBRACO)	58068-C100
92016-6	125 PSI KIT (CONBRACO)	58068-C125
92016-7	150 PSI KIT (CONBRACO)	58068-C150
92016-8	50 PSI KIT (WATTS)	58068-W50
92016-9	60 PSI KIT (WATTS)	58068-W60
92016-10	75 PSI KIT (WATTS)	58068-W75
92016-11	100 PSI KIT (WATTS)	58068-W100
92016-12	125 PSI KIT (WATTS)	58068-W125
92016-13	150 PSI KIT (WATTS)	58068-W150
92016-14	160 PSI KIT (KUNKLE)	58068-K160

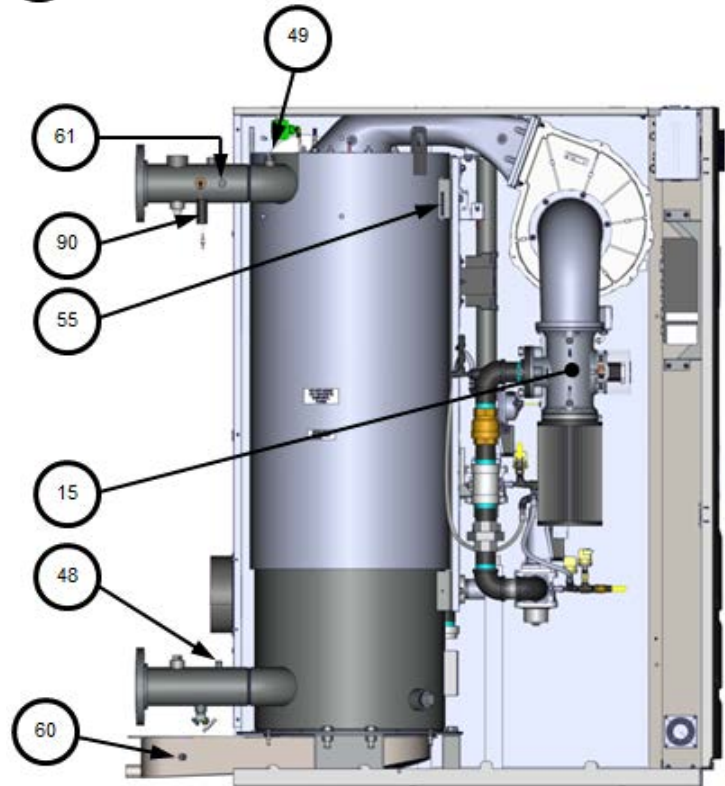
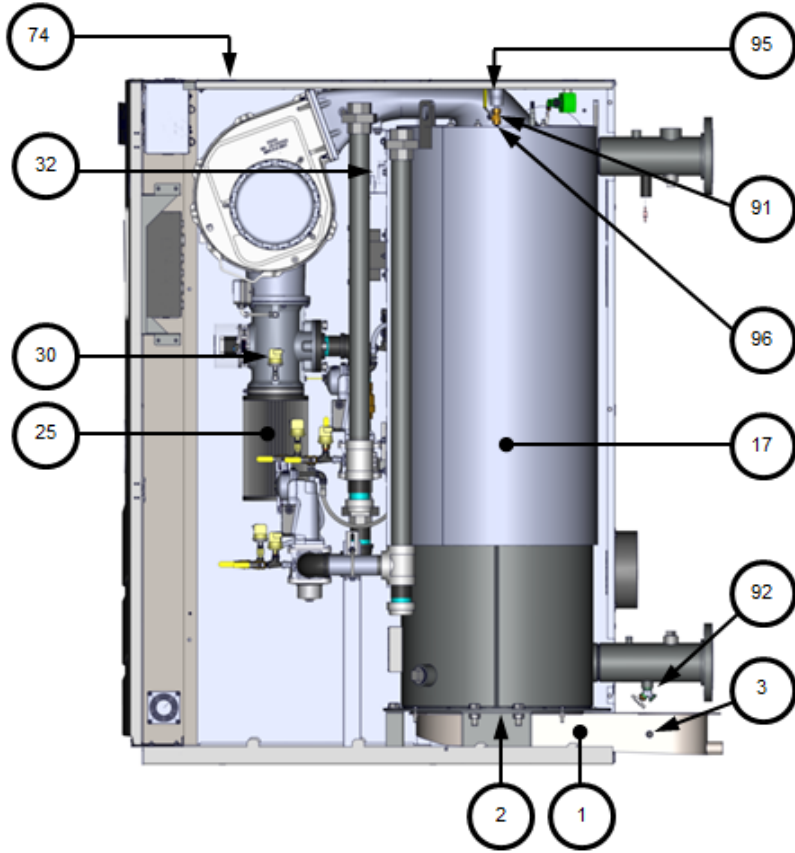


Benchmark 3000 DUAL FUEL Kits Available	
Part #	Description
24311-1	AIR/FUEL VALVE KIT
58063-1	BLOWER REPLACEMENT KIT - 460V
58063-2	BLOWER REPLACEMENT KIT - 208V
27083	HEAT EXCHANGER REPLACEMENT KIT
24356-1	FLAME DETECTOR KIT
58023	IGNITOR-INJECTOR REPLACEMENT KIT

AERCO International, Inc. Blauvelt, NY 10913	Benchmark 2500DF – 3000DF Part List	02/10/2014
	Whole Boiler 28536-5 – 28382-5	Sheet 2 of 8

Benchmark 2500/3000 Dual Fuel & Propane Boilers

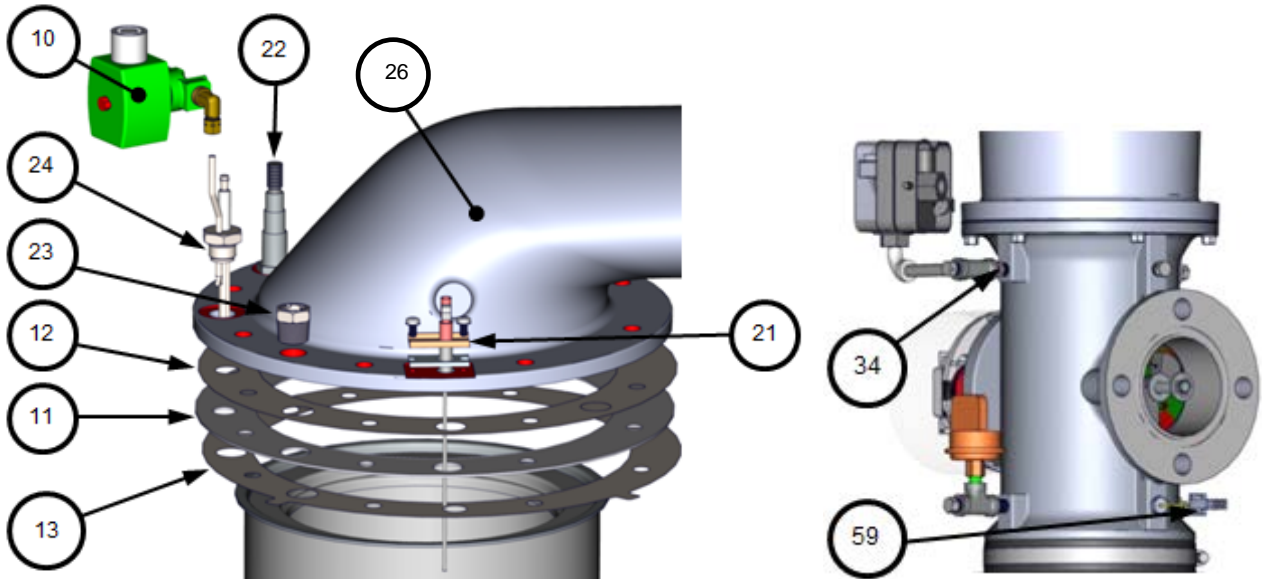
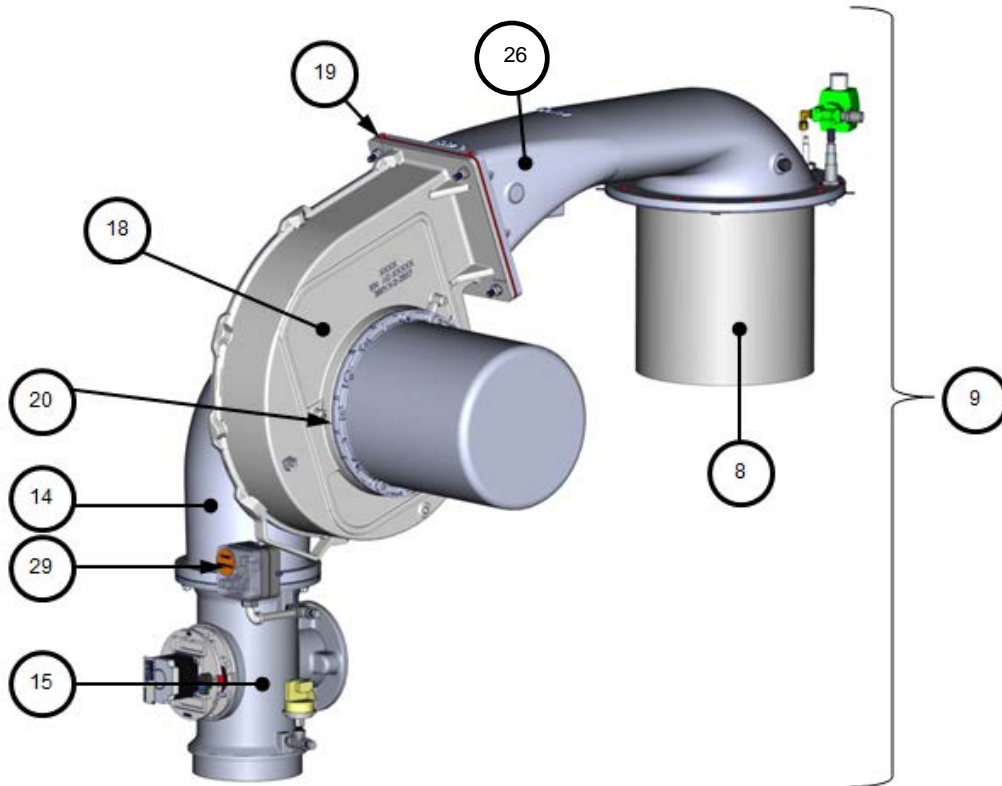
APPENDIX H – PART LIST DRAWINGS



AERCO International, Inc. Blauvelt, NY 10913	Benchmark 2500DF – 3000DF Part List	02/10/2014
	Whole Boiler 28536-5 – 28382-5	Sheet 3 of 8

Benchmark 2500/3000 Dual Fuel & Propane Boilers

APPENDIX H – PART LIST DRAWINGS



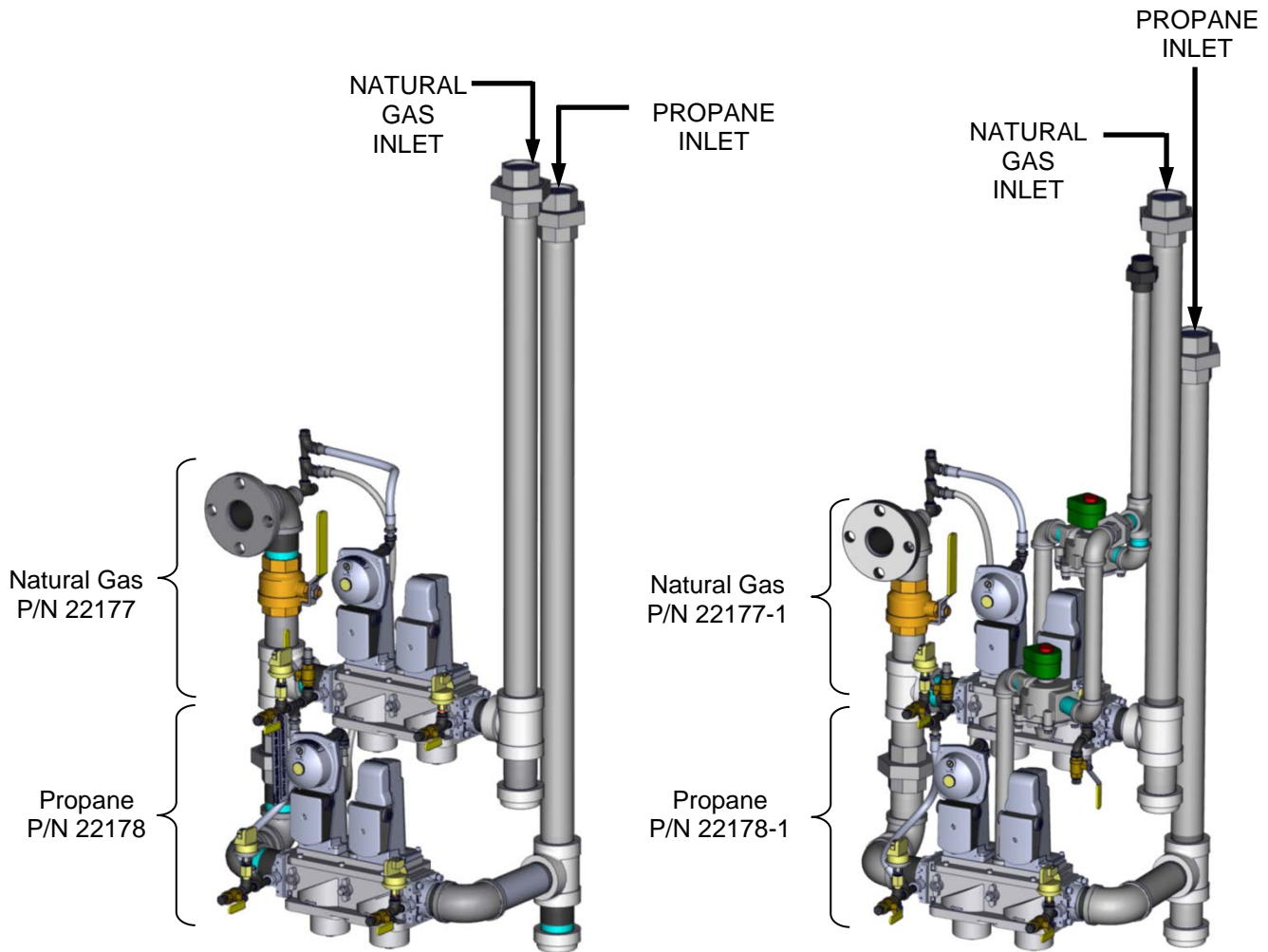
BURNER GASKETS – EXPLODED VIEW

Benchmark 2500/3000
 Burner-Air/Fuel Valve Assembly
 P/N 26015 & 26014

AERCO International, Inc. Blauvelt, NY 10913	Benchmark 2500DF – 3000DF Part List	02/10/2014
	Whole Boiler 28536-5 – 28382-5	Sheet 4 of 8

Benchmark 2500/3000 Dual Fuel & Propane Boilers

APPENDIX H – PART LIST DRAWINGS



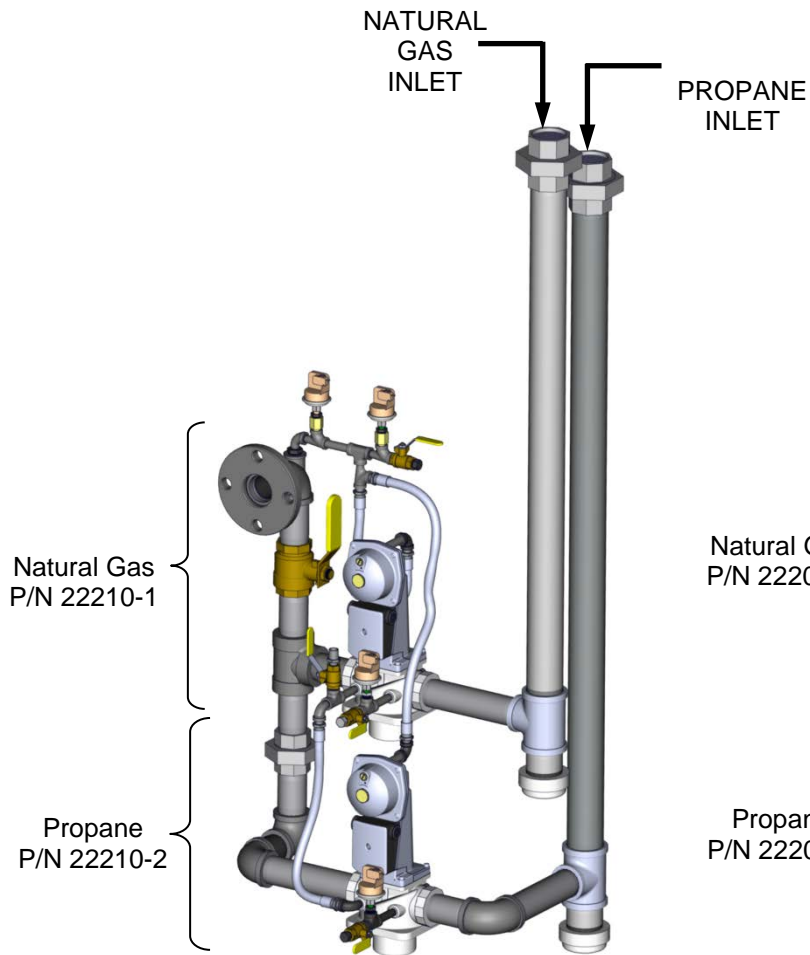
Benchmark 3000 Dual Fuel
 FM Gas Train
 P/N 22174
 See below for full diagram
 and part list

Benchmark 3000 Dual Fuel
 Double Block & Bleed Gas Train
 P/N 22183
 See below for full diagram
 and part list

AERCO International, Inc. Blauvelt, NY 10913	Benchmark 2500DF – 3000DF Part List	02/10/2014
	Whole Boiler 28536-5 – 28382-5	Sheet 5 of 8

Benchmark 2500/3000 Dual Fuel & Propane Boilers

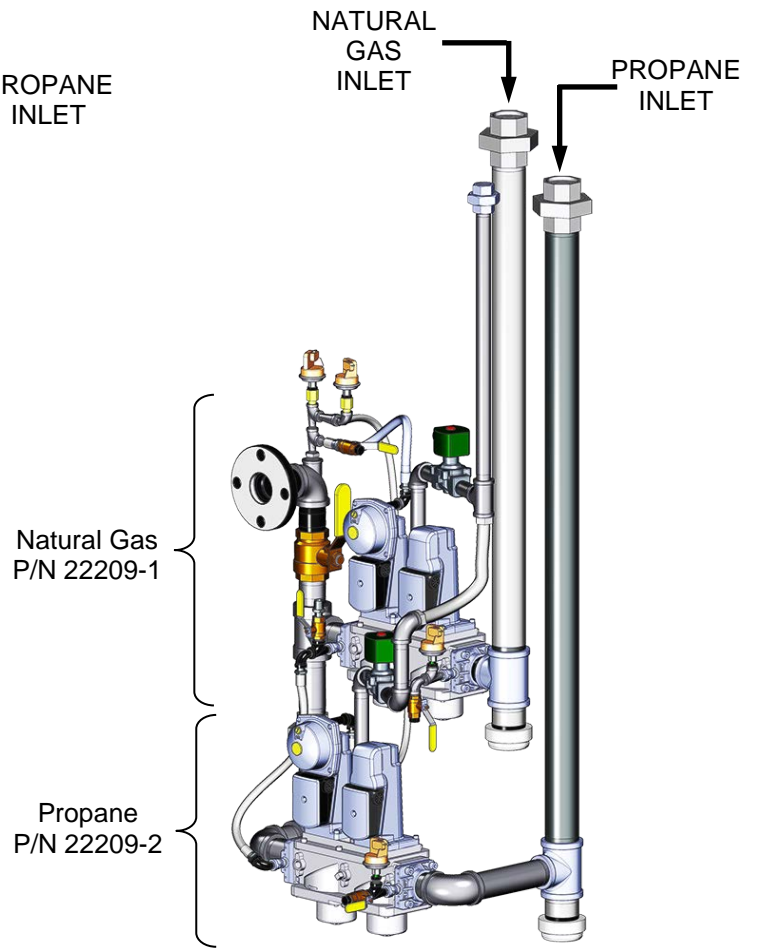
APPENDIX H – PART LIST DRAWINGS



Benchmark 2500 Dual Fuel

FM Gas Train
P/N 22210

See below for full diagram
and part list



Benchmark 2500 Dual Fuel

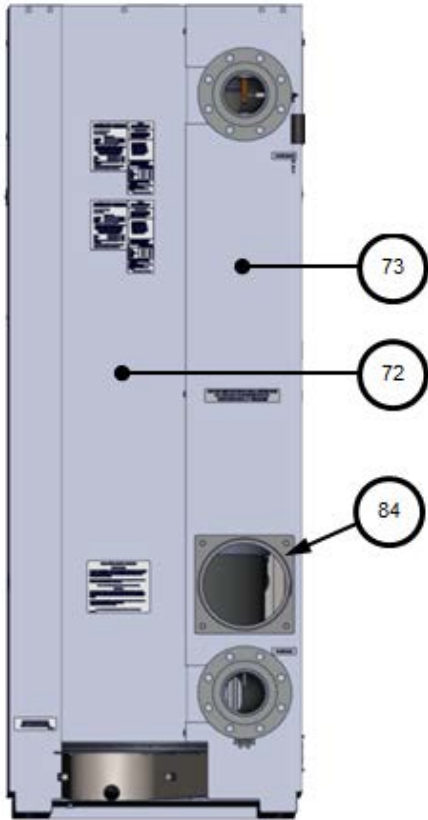
Double Block & Bleed Gas Train
P/N 22209

See below for full diagram
and part list

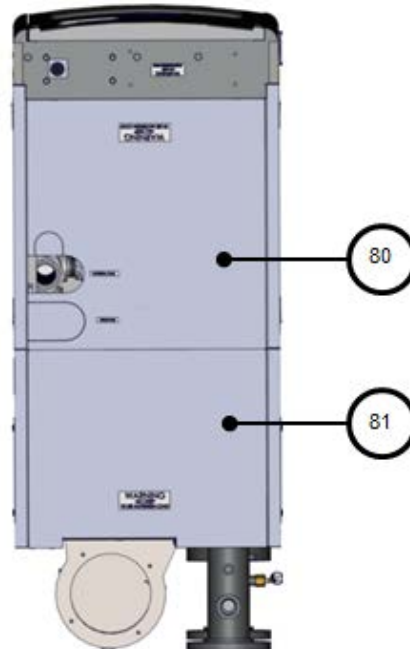
AERCO International, Inc. Blauvelt, NY 10913	Benchmark 2500DF – 3000DF Part List	02/10/2014
	Whole Boiler 28536-5 – 28382-5	Sheet 6 of 8

Benchmark 2500/3000 Dual Fuel & Propane Boilers

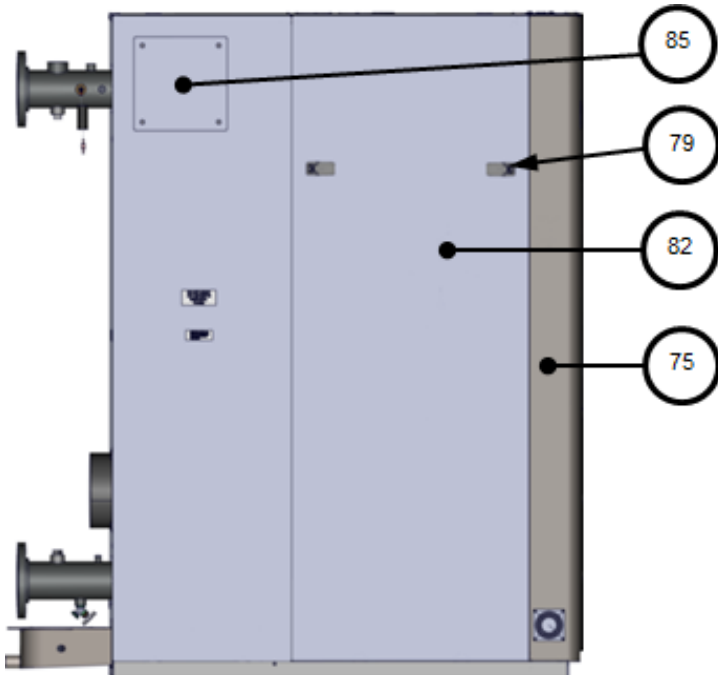
APPENDIX H – PART LIST DRAWINGS



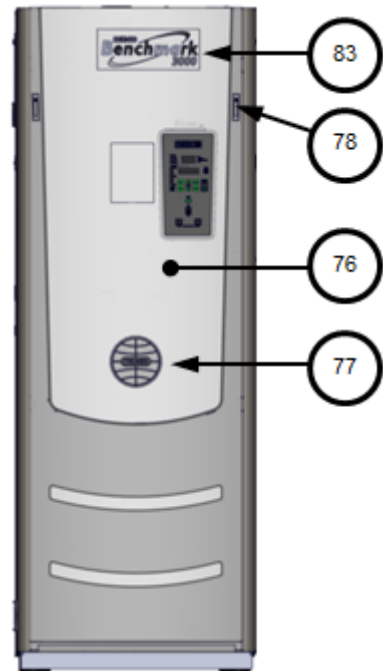
REAR VIEW



TOP VIEW



LEFT SIDE VIEW

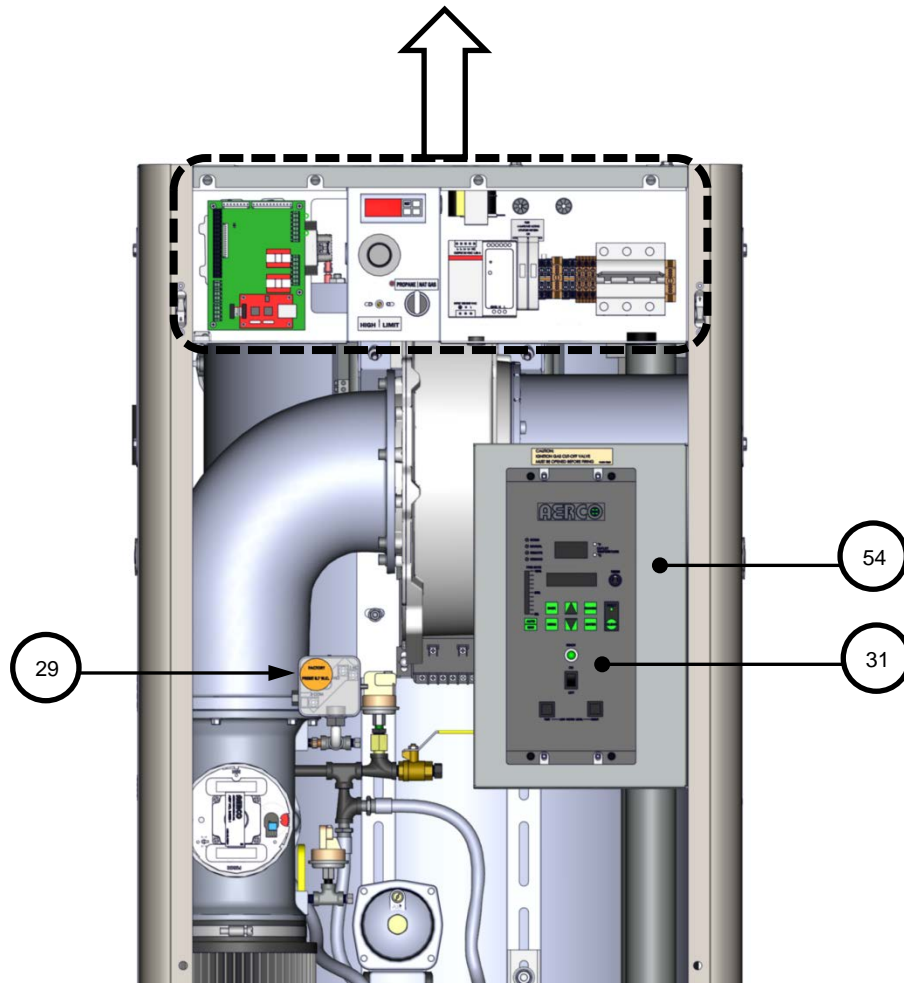
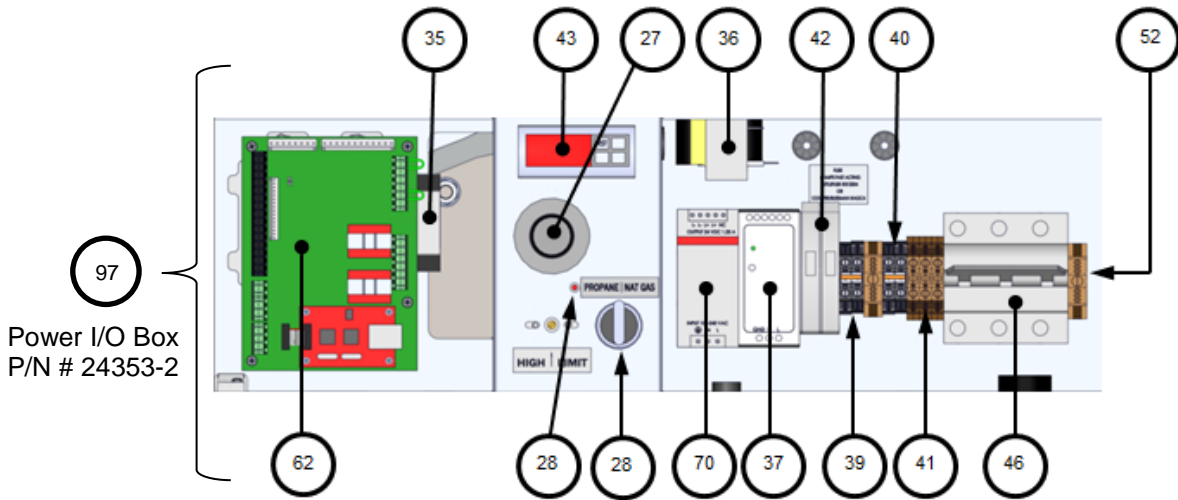


FRONT VIEW

AERCO International, Inc. Blauvelt, NY 10913	Benchmark 2500DF – 3000DF Part List	02/10/2014
	Whole Boiler 28536-5 – 28382-5	Sheet 7 of 8

Benchmark 2500/3000 Dual Fuel & Propane Boilers

APPENDIX H – PART LIST DRAWINGS



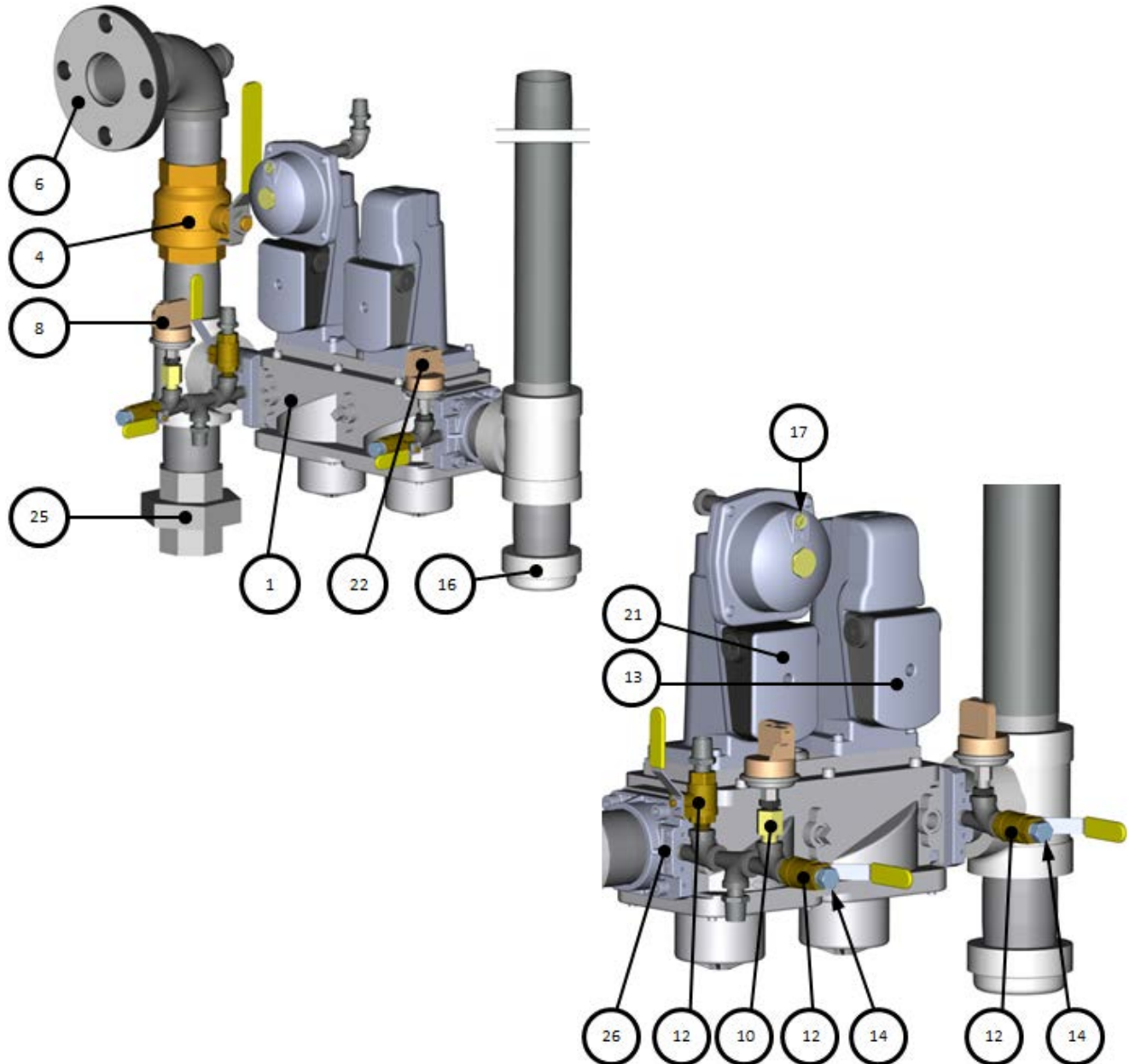
PARTIAL FRONT VIEW – FRONT PANEL REMOVED

AERCO International, Inc. Blauvelt, NY 10913	Benchmark 2500DF – 3000DF Part List	02/10/2014
	Whole Boiler 28536-5 – 28382-5	Sheet 8 of 8

Benchmark 2500/3000 Dual Fuel & Propane Boilers

APPENDIX H – PART LIST DRAWINGS

Benchmark 3000 DF NATURAL GAS Gas Train – 22177 rev D							
Item	Qty	Part #	Description	Item	Qty	Part #	Description
1	1	124142	VALVE: SSOV: DOUBLE BODY: 2" NPT	14	2	9-22	PIPE PLUG: 1/4" NPT: STEEL
4	1	123540	VALVE: BALL 2" FULL PORT	16	1	93382	2" NPT CAP
6	1	123542	FLANGE 2" 125# 2"NPT	17	1	99015	DAMPING ORIFICE: SSOV
8	1	61002-20	PRESSURE SWITCH: 2.6" W.C. FALL N.O.	21	1	69005	ACTUATOR: SSOV W/ REGULATOR
10	1	99017	SNUBBER: PRESSURE: 1/4"	22	1	61002-21	HIGH GAS PRESSURE SWITCH 7.0" W.C.
12	3	92077	1/4" NPT MXF BRASS BALL VALVE (OPEN)	25	1	9-294	UNION: 2" NPT 300#
13	1	69038	ACTUATOR: SSOV W/O P.O.C. SWITCH	26	2	95030	FLANGE: SSOV 2" NPT

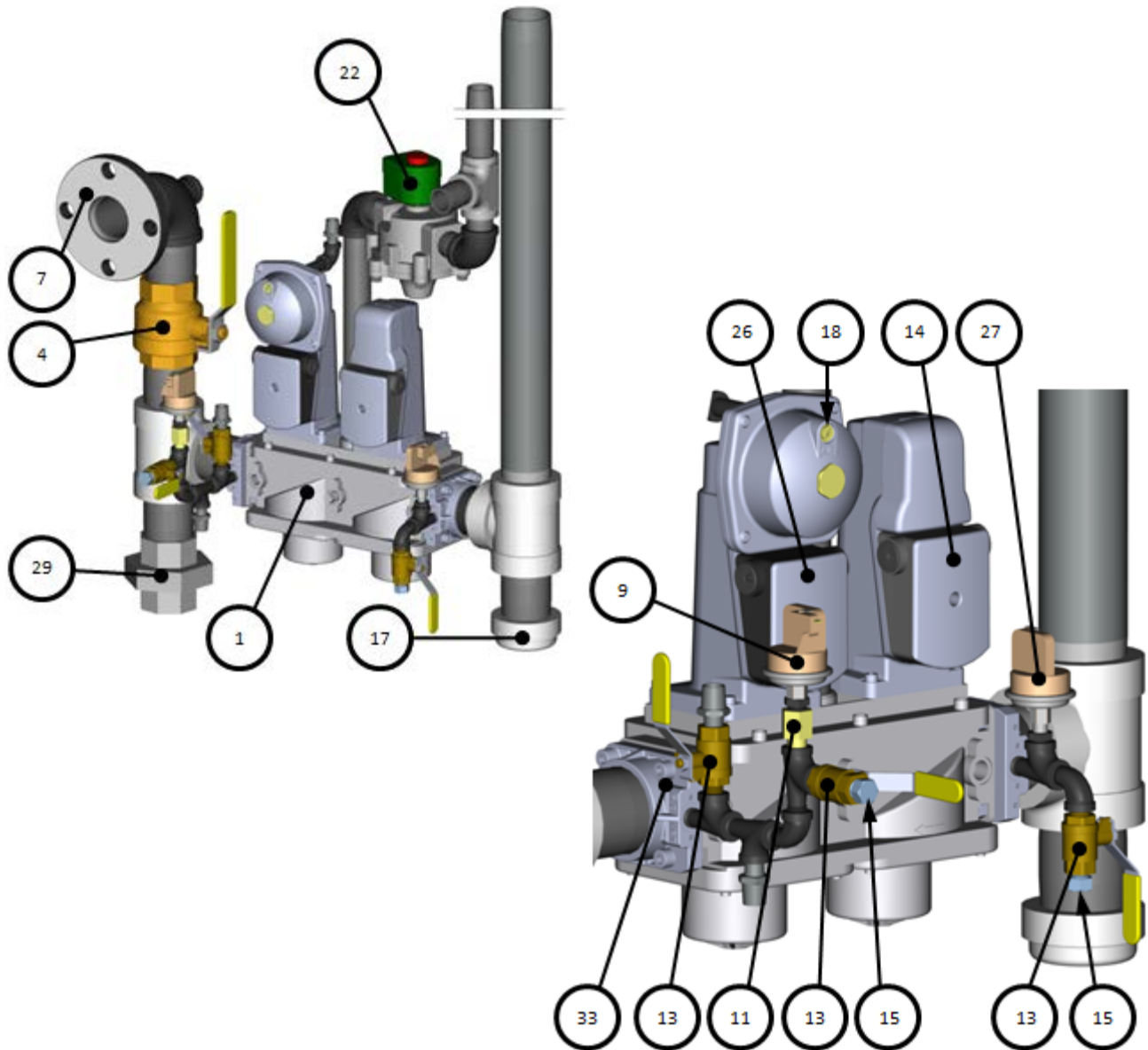


AERCO International, Inc. Blauvelt, NY 10913	Benchmark 3000 DF FM Gas Train Natural Gas	09/04/2014
	22177 rev D	Sheet 1 of 1

Benchmark 2500/3000 Dual Fuel & Propane Boilers

APPENDIX H – PART LIST DRAWINGS

Benchmark 3000 DF DBB NATURAL GAS Gas Train – 22177-1 rev D							
Item	Qty	Part #	Description	Item	Qty	Part #	Description
1	1	124142	VALVE: SSOV: DOUBLE BODY: 2" NPT	17	1	93382	2" NPT CAP
4	1	123540	VALVE: BALL 2" FULL PORT	18	1	99015	DAMPING ORIFICE: SSOV
7	1	123542	FLANGE 2" 125# 2"NPT	22	1	123769	VALVE: SOLENOID N.O. 1" NPT
9	1	61002-20	PRESSURE SWITCH: 2.6" W.C. FALL N.O.	26	1	69005	ACTUATOR: SSOV W/ REGULATOR
11	1	99017	SNUBBER: PRESSURE: 1/4"	27	1	61002-21	HIGH GAS PRESSURE SWITCH 7.0" W.C.
13	3	92077	1/4" NPT MXF BRASS BALL VALVE (OPEN)	29	1	9-294	UNION: 2" NPT 300#
14	1	69038	ACTUATOR: SSOV W/O P.O.C. SWITCH	33	2	95030	FLANGE: SSOV 2" NPT
15	2	9-22	PIPE PLUG: 1/4" NPT: STEEL				

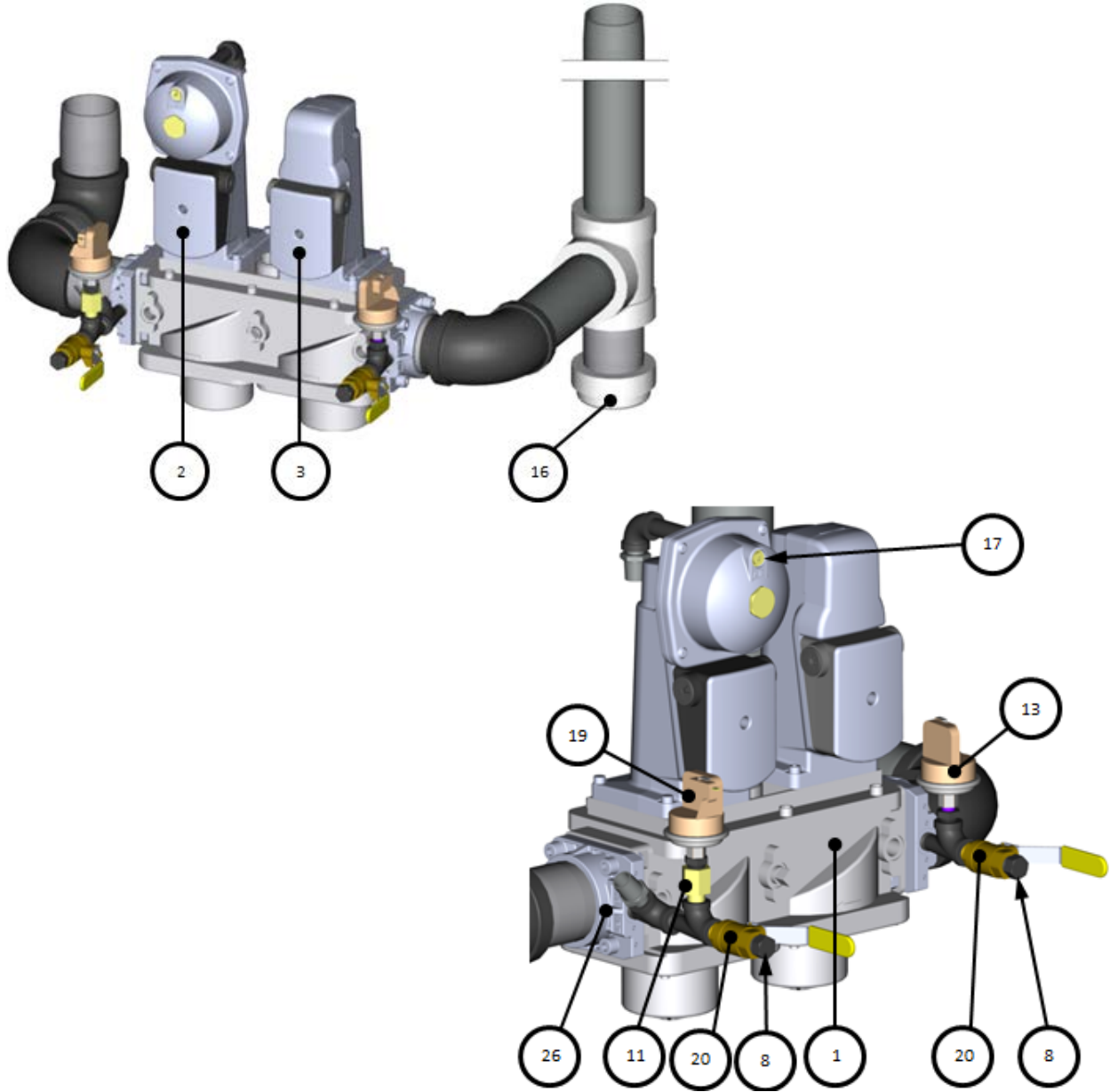


AERCO International, Inc. Blauvelt, NY 10913	Benchmark 3000 DF DBB NATURAL GAS Gas Train	09/04/2014
	22177-1 rev D	Sheet 1 of 1

Benchmark 2500/3000 Dual Fuel & Propane Boilers

APPENDIX H – PART LIST DRAWINGS

Benchmark 3000 DF PROPANE Gas Train – 22178 rev D							
Item	Qty	Part #	Description	Item	Qty	Part #	Description
1	1	124142	VALVE: SSOV: DOUBLE BODY: 2" NPT	16	1	93382	2" NPT CAP
2	1	69005	ACTUATOR: SSOV W/ REGULATOR	17	1	99015	DAMPING ORIFICE: SSOV
3	1	69038	ACTUATOR: SSOV W/O P.O.C. SWITCH	19	1	61002-3	HIGH GAS PRESSURE SWITCH: 2.6" W.C.
8	2	9-22	PIPE PLUG: 1/4" NPT: STEEL	20	2	92077	1/4" NPT MXF BRASS BALL VALVE (OPEN)
11	1	99017	SNUBBER: PRESSURE: 1/4"	26	2	95030	FLANGE: SSOV 2" NPT
13	1	61002-1	PRESSURE SWITCH: 2.6" W.C. FALL N.O.				

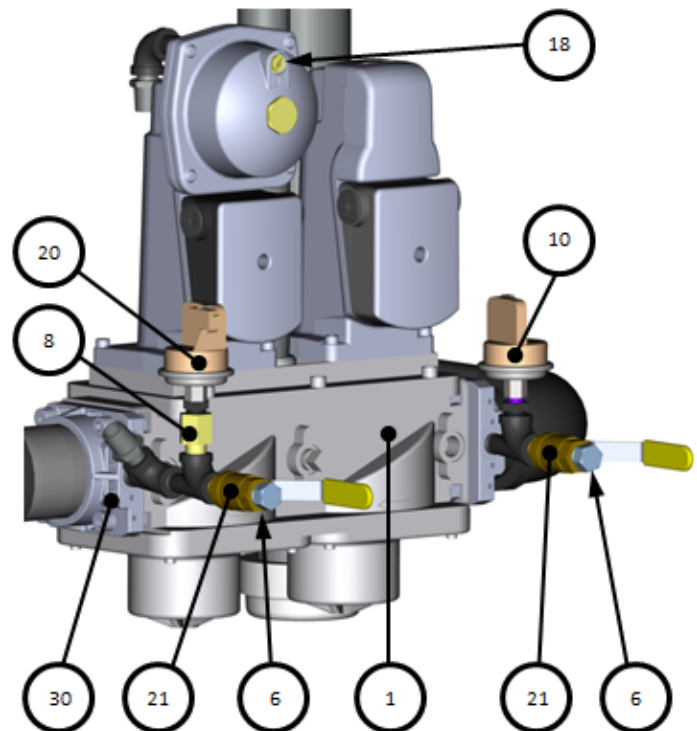
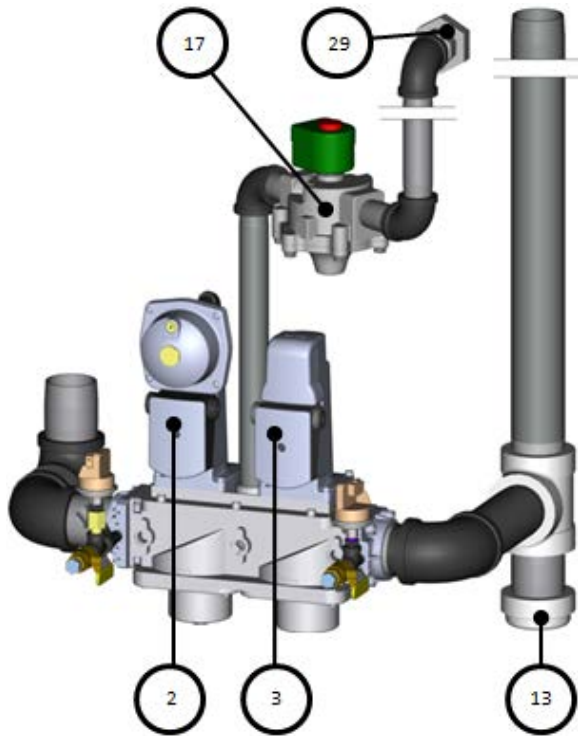


AERCO International, Inc. Blauvelt, NY 10913	Benchmark 3000 DF PROPANE Gas Train	09/04/2014
	22178 rev D	Sheet 1 of 1

Benchmark 2500/3000 Dual Fuel & Propane Boilers

APPENDIX H – PART LIST DRAWINGS

Benchmark 3000 DF DBB PROPANE Gas Train – 22178-1 rev D							
Item	Qty	Part #	Description	Item	Qty	Part #	Description
1	1	124142	VALVE: SSOV: DOUBLE BODY: 2" NPT	17	1	123769	VALVE: SOLENOID N.O. 1" NPT
2	1	69005	ACTUATOR: SSOV W/ REGULATOR	18	1	99015	DAMPING ORIFICE: SSOV
3	1	69038	ACTUATOR: SSOV W/O P.O.C. SWITCH	20	1	61002-3	HIGH GAS PRESSURE SWITCH: 2.6" W.C.
6	2	9-22	PIPE PLUG: 1/4" NPT: STEEL	21	2	92077	1/4" NPT MXF BRASS BALL VALVE (OPEN)
8	1	99017	SNUBBER: PRESSURE: 1/4"	29	1	123771	UNION: MA x FEM 1" NPT: 150# M.I.
10	1	61002-1	PRESSURE SWITCH: 2.6" W.C. FALL N.O.	30	2	95030	FLANGE: SSOV 2" NPT
13	1	93382	2" NPT CAP				

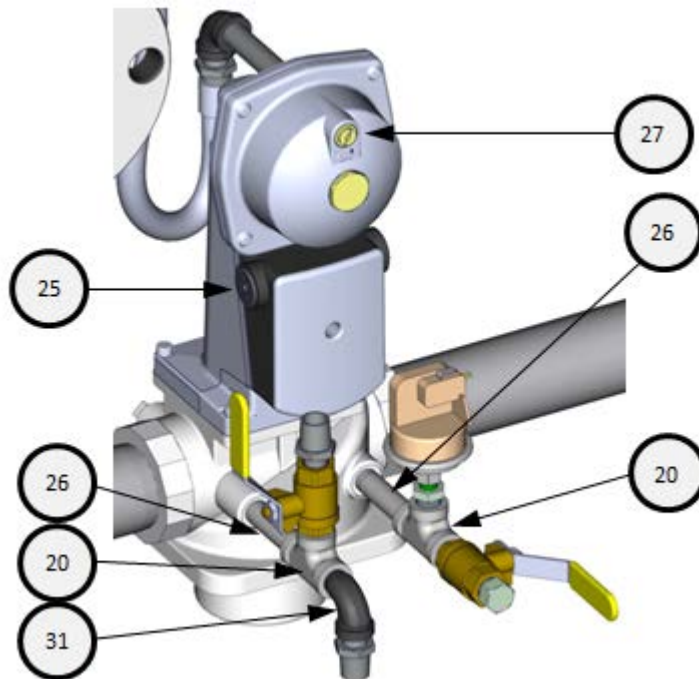


AERCO International, Inc. Blauvelt, NY 10913	Benchmark 3000 DF DBB PROPANE Gas Train	09/04/2014
	22178-1 rev D	Sheet 1 of 1

Benchmark 2500/3000 Dual Fuel & Propane Boilers

APPENDIX H – PART LIST DRAWINGS

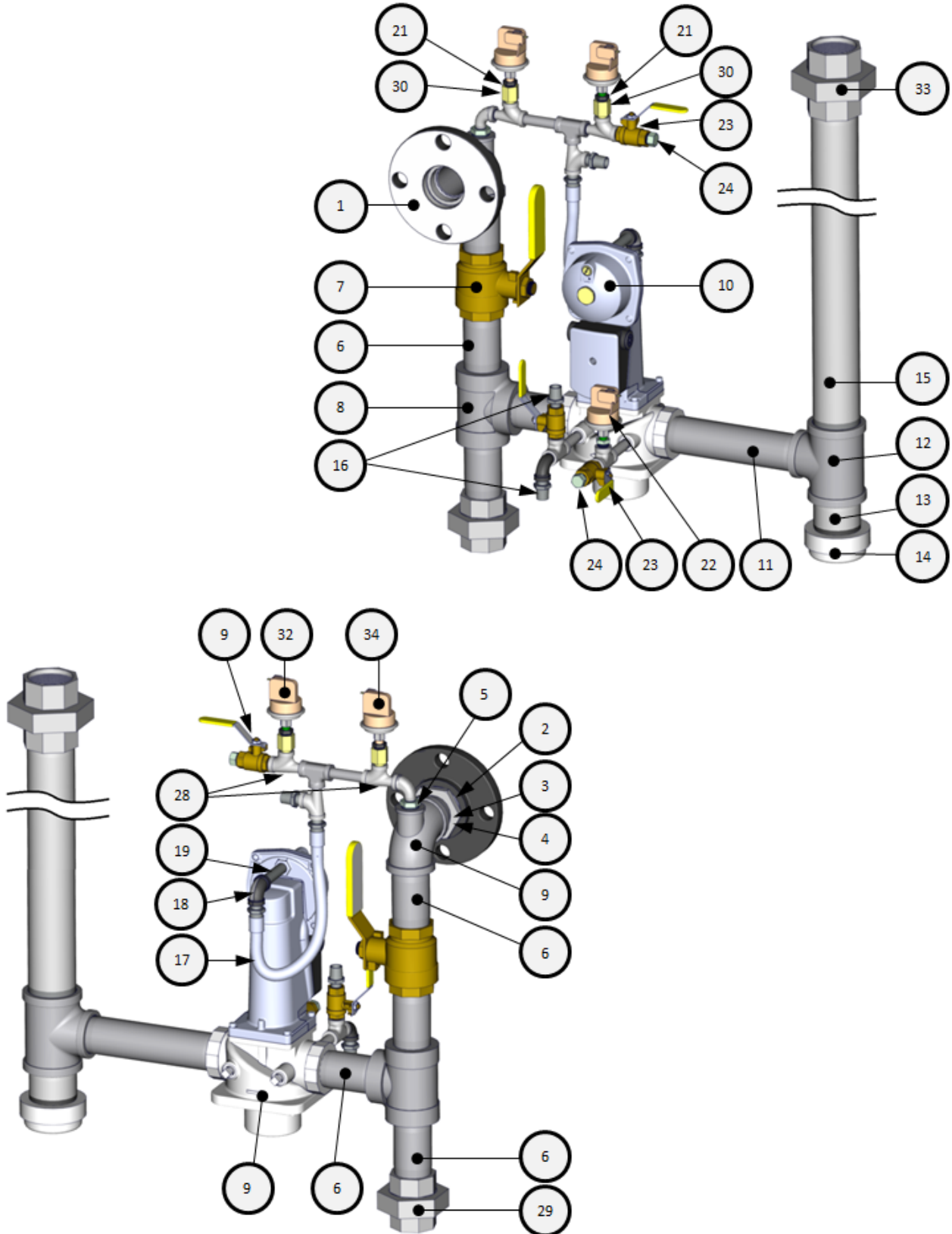
Benchmark 2500 Dual Fuel FM Gas Train, Natural Gas – 22210-1 rev A							
Item	Qty	P/N	Description	Item	Qty	P/N	Description
1	1	123542	FLANGE 2" 125# 2"NPT	18	1	124084	ELBOW: 1/4" NPT 150# M/I
2	1	93069	BUSHING: REDUCING 1-1/2" TO 2" NPT	19	1	124089	NIPPLE: 1/4" NPT X 3" SCH.40: C.S.
3	1	94060-2	NIPPLE: 1-1/2" NPT X 2.00 LG	20	3	124083	TEE 1/4" NPT: 150#
4	1	9-420	TEE: REDUCING 1-1/2 X 1/2 X 1-1/2	21	3	123536	BUSHING: REDUCING 1/4" X 1/8" NPT
5	1	9-43	BUSHING: REDUCING 1/2 X 1/4 NPT	22	1	61002-21	HIGH GAS PRESSURE SWITCH 7.0" W.C.
6	4	94060-4	NIPPLE: 1-1/2 NPT X 4.00 LG	23	3	92077	1/4" NPT MXF BRASS BALL VALVE (OPEN)
7	1	92006-7	VALVE: BALL BRASS 1-1/2" NPT	24	2	9-22	PIPE PLUG: 1/4" NPT: STEEL
8	1	93093	TEE: 1-1/2" X 1-1/2" X 1-1/2"	25	2	12951-2	BUSHING: CONTROL BOX
9	1	124150	VALVE: SSOV 1-1/2" NPT	26	3	124088	NIPPLE: 1/4" NPT: C.S. 2 1/2" LONG
10	1	69005	ACTUATOR: SSOV W/ REGULATOR	27	1	99015	DAMPING ORIFICE: SSOV
11	1	94060-8	NIPPLE: 1-1/2 NPT X 8.00 LG	28	3	93290	TEE MXFXF BLACK IRON 1/4" NPT
12	1	93456	TEE: REDUCING 2x1.5x2	29	1	93310	1-1/2" 150# BLACK IRON UNION
13	1	94027-12	NIPPLE: 2" NPT TBE X 3.00 LG	30	2	99017	SNUBBER: PRESSURE: 1/4"
14	1	93382	2" NPT CAP	31	2	93035	ELBOW: STREET 1/4" NPT
15	1	94027-144	NIPPLE: 2" NPT TBE X 36" LG	32	1	61002-15	HIGH GAS PRESSURE SWITCH 7.0" W.C.
16	5	99014	NIPPLE: HEX 1/4" NPT X 3/8" NPT	33	1	9-294	UNION: 2" NPT 300#
17	1	97005-5	TUBING: FLEXIBLE GAS 18"	34	1	61002-22	BLOCKED INLET SWITCH: -6.0" W.C.



AERCO International, Inc. Blauvelt, NY 10913	Benchmark 2500 DF FM Gas Train Natural Gas	12/17/2013
	22210-1 rev A	Sheet 1 of 2

Benchmark 2500/3000 Dual Fuel & Propane Boilers

APPENDIX H – PART LIST DRAWINGS



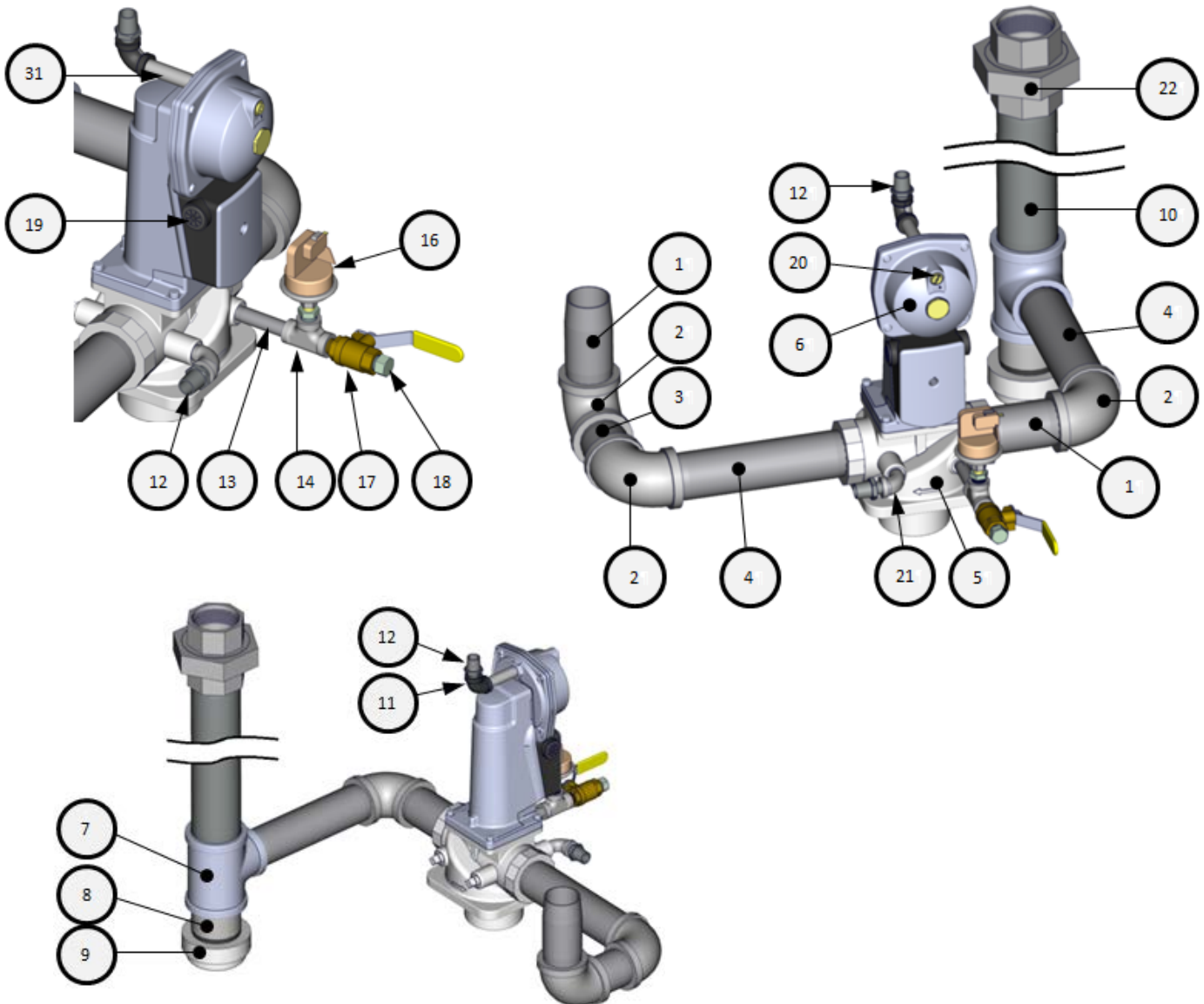
AERCO International, Inc. Blauvelt, NY 10913	Benchmark 2500 DF FM Gas Train Natural Gas	12/17/2013
	22210-1 rev A	Sheet 2 of 2

Benchmark 2500/3000 Dual Fuel & Propane Boilers

APPENDIX H – PART LIST DRAWINGS

Benchmark 2500 Dual Fuel FM Gas Train, Propane – 22210-2 rev A

Item	Qty	P/N	Description	Item	Qty	P/N	Description
1	2	94060-4	NIPPLE: 1-1/2" NPT X 4.00 LG	12	2	99014	NIPPLE: HEX 1/4" NPT X 3/8" NPT
2	3	9-323	ELBOW: 90 DEGREE 1-1/2"	13	2	124088	NIPPLE: 1/4" NPT: C.S. 2 1/2" LONG
3	1	94060-3	NIPPLE: 1-1/2" NPT X 3.00" LG	14	1	124083	TEE 1/4" NPT: 150#
4	2	94060-8	NIPPLE: 1-1/2" NPT X 8.00 LG	15	1	123536	BUSHING: REDUCING 1/4" X 1/8" NPT
5	1	124150	VALVE: SSOV 1-1/2" NPT	16	1	61002-11	LOW GAS PRESSURE SWITCH 3.6" W..C.
6	1	69005	ACTUATOR: SSOV W/ REGULATOR	17	1	92077	1/4" NPT MXF BRASS BALL VALVE (OPEN)
7	1	93456	TEE: REDUCING 2x1.5x2	18	1	9-22	PIPE PLUG: 1/4" NPT: STEEL
8	1	94027-12	NIPPLE: 2" NPT TBE X 3.00 LG	19	2	12951-2	BUSHING: CONTROL BOX
9	1	93382	2" NPT CAP	20	1	99015	DAMPING ORIFICE: SSOV
10	1	123537	NIPPLE: 2" NPT TBE X 36" LG	21	1	93035	ELBOW: STREET 1/4" NPT
11	1	124084	ELBOW: 1/4" NPT 150# M/I	22	1	9-294	UNION: 2" NPT 300#

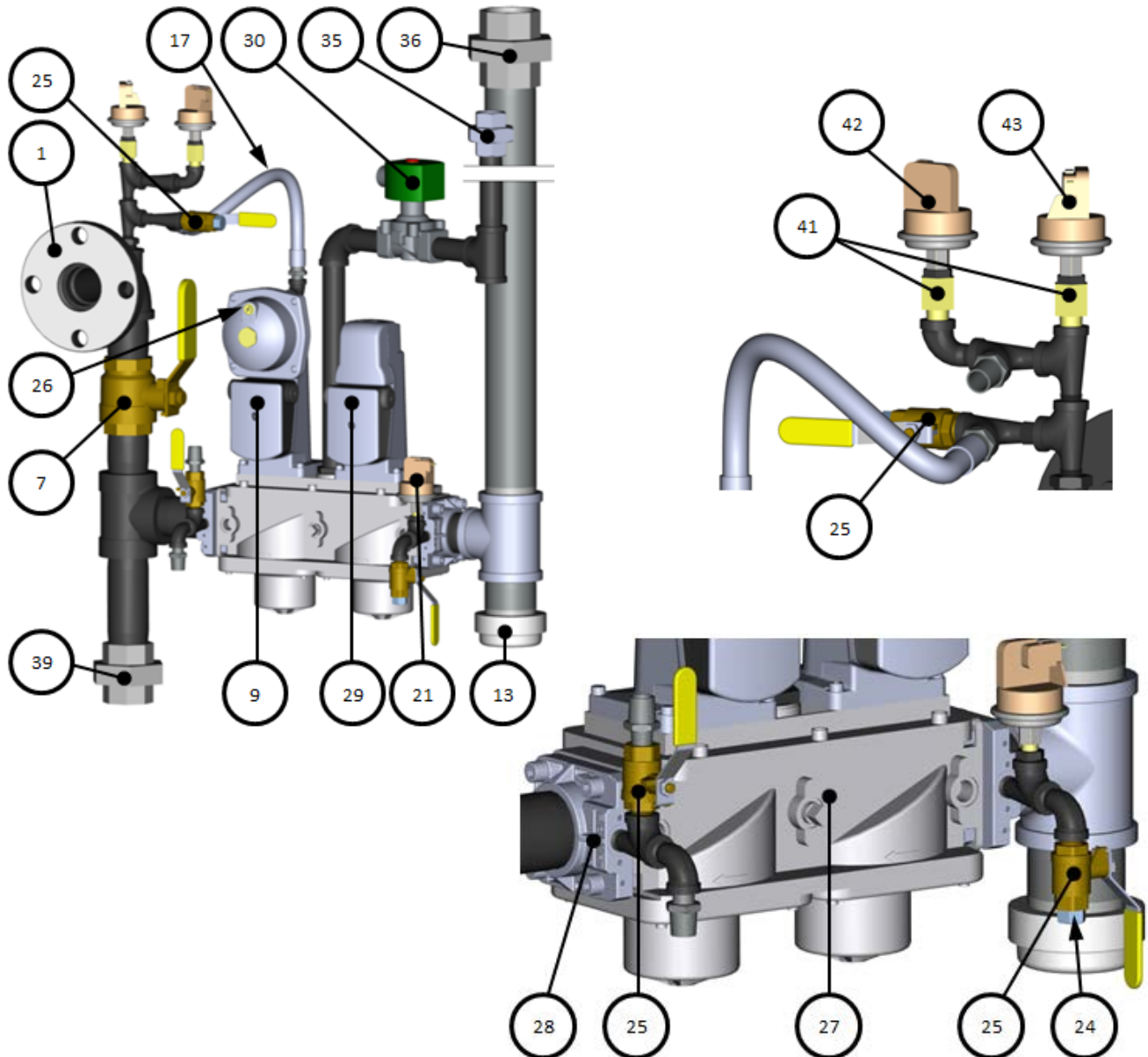


AERCO International, Inc. Blauvelt, NY 10913	Benchmark 2500 DF FM Gas Train PROPANE	12/17/2013
	22210-2 rev A	Sheet 1 of 1

Benchmark 2500/3000 Dual Fuel & Propane Boilers

APPENDIX H – PART LIST DRAWINGS

Benchmark 2500 Natural Gas DF DBB Gas Train – 22209-1 rev B							
Item	Qty	Part #	Description	Item	Qty	Part #	Description
1	1	123542	FLANGE 2" 125# 2"NPT	28	2	95029	FLANGE: SSOV 1 1/2" NPT
7	1	92006-7	VALVE: BALL BRASS 1-1/2" NPT	29	1	69038	ACTUATOR: SSOV W/O P.O.C. SWITCH
9	1	69005	ACTUATOR: SSOV W/ REGULATOR	30	1	122774	VALVE: VENT 3/4" NPT
13	1	93382	2" NPT CAP	35	1	124094	UNION: 3/4" NPT #150
17	1	97005-2	TUBING, FLEXIBLE GAS 12"	36	1	9-294	UNION: 2" NPT 300#
21	1	61002-21	HIGH GAS PRESSURE SWITCH 7.0" W.C.	39	1	93310	1-1/2" 150# BLACK IRON UNION
24	2	9-22	PIPE PLUG: 1/4" NPT: STEEL	41	2	99017	SNUBBER: PRESSURE: 1/4"
25	3	92077	1/4" NPT MXF BRASS BALL VALVE (OPEN)	42	1	61002-15	HIGH GAS PRESSURE SWITCH 7.0" W.C.
26	1	99015	DAMPING ORIFICE: SSOV	43	1	61002-22	BLOCKED INLET SWITCH: -6.0" W.C.
27	1	124137	VALVE: SSOV: DOUBLE BODY: 1-1/2" NPT				

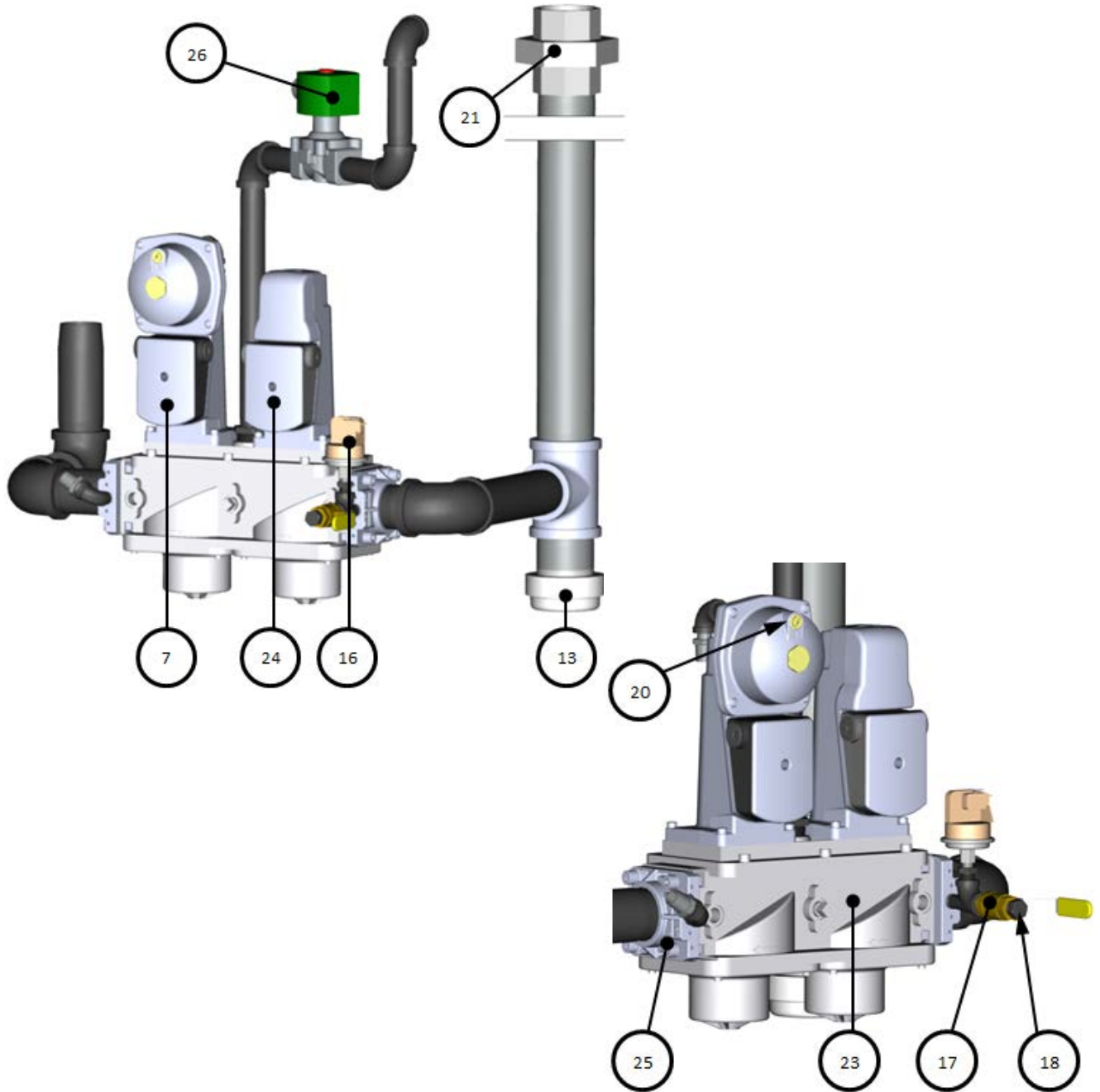


AERCO International, Inc. Blauvelt, NY 10913	Benchmark 2500 Natural Gas DF DBB Gas Train	09/04/2014
	22209-1 rev B	Sheet 1 of 1

Benchmark 2500/3000 Dual Fuel & Propane Boilers

APPENDIX H – PART LIST DRAWINGS

Benchmark 2500 Propane DF DBB Gas Train – 22209-2 rev B							
Item	Qty	Part #	Description	Item	Qty	Part #	Description
7	1	69005	ACTUATOR: SSOV W/ REGULATOR	21	1	9-294	UNION: 2" NPT 300#
16	1	61002-11	LOW GAS PRESSURE SWITCH 3.6" W.C.	23	1	124137	VALVE: SSOV: DOUBLE BODY: 1-1/2" NPT
17	1	92077	1/4" NPT MXF BRASS BALL VALVE (OPEN)	24	1	69038	ACTUATOR: SSOV W/O P.O.C. SWITCH
18	1	9-22	PIPE PLUG: 1/4" NPT: STEEL	25	2	95029	FLANGE: SSOV 1 1/2" NPT
20	1	99015	DAMPING ORIFICE: SSOV	26	1	122774	VALVE: VENT 3/4" NPT



AERCO International, Inc. Blauvelt, NY 10913	Benchmark 2500 Propane DF DBB Gas Train	09/04/2014
	22209-2 rev B	Sheet 1 of 1

Benchmark 2500/3000 Dual Fuel & Propane Boilers

APPENDIX H – PART LIST DRAWINGS

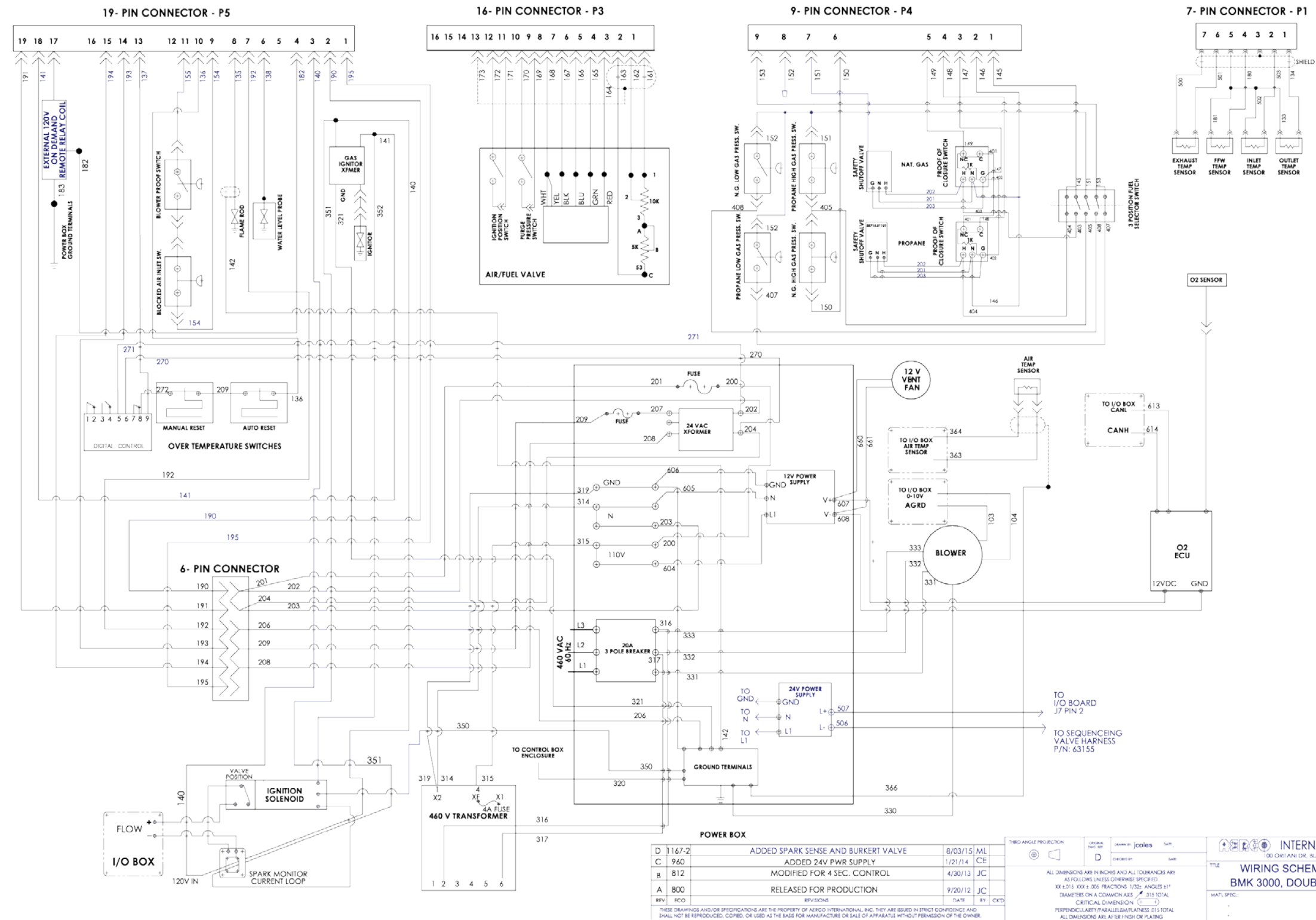
(This page left intentionally blank)

Benchmark 2500/3000 Dual Fuel & Propane Boilers

APPENDIX I – WIRING DIAGRAMS

APPENDIX I – WIRING DIAGRAMS

CONTROL BOX CONNECTIONS



D	1167-2	ADDED SPARK SENSE AND BURKERT VALVE	8/03/15	ML
C	960	ADDED 24V PWR SUPPLY	1/21/14	CE
B	812	MODIFIED FOR 4 SEC. CONTROL	4/30/13	JC
A	800	RELEASED FOR PRODUCTION	9/20/12	JC
REV	RCO	REVISIONS	DATE	BY

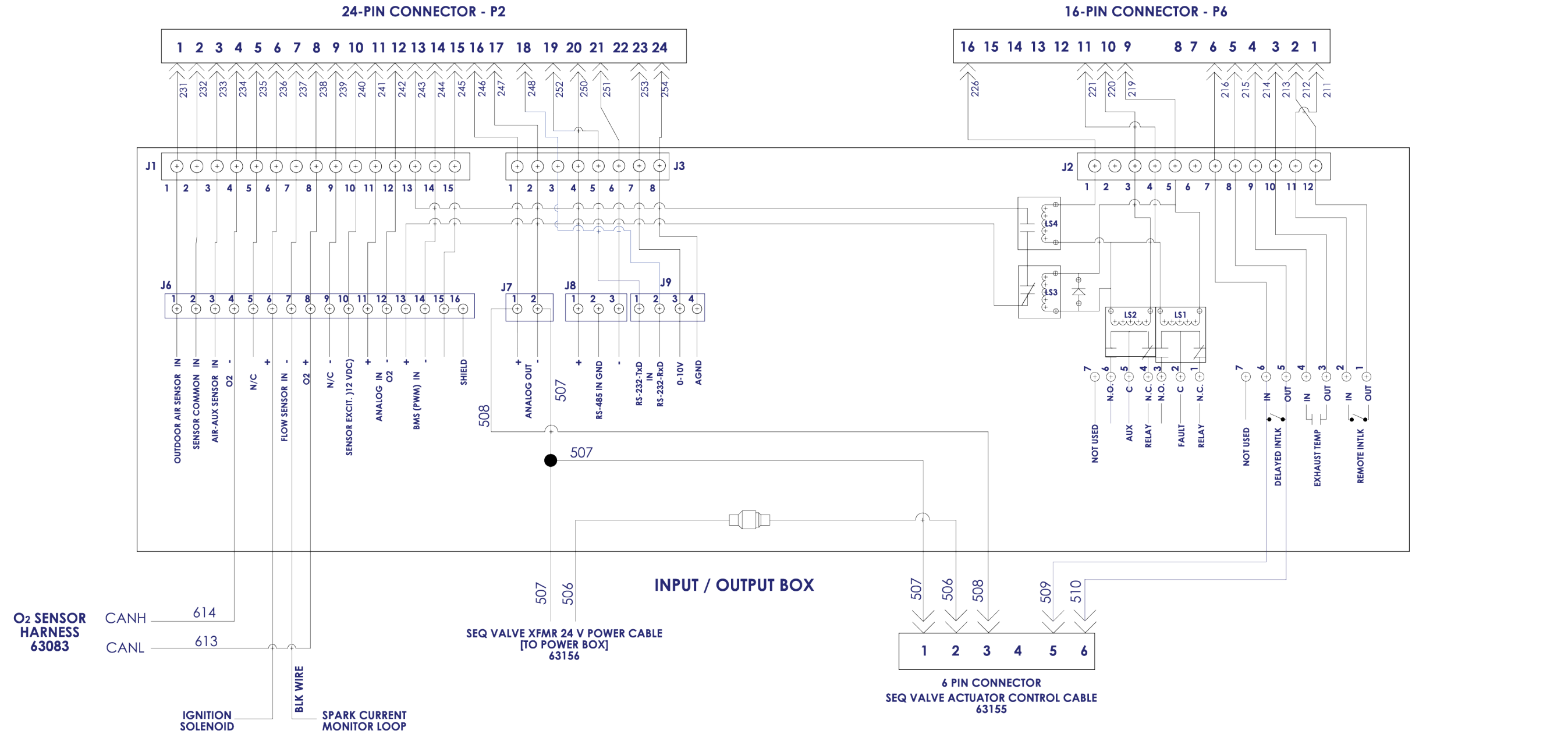
INTERNATIONAL INC.	
100 ORITANI DR. BLAUVELT, N.Y.	
TITLE: WIRING SCHEMATIC, DF 460V	
BMK 3000, DOUBLE VALVE BODY	
DWG. NO:	68044
SHEET	1 OF 2

Drawing Number: 68044 rev D, Sheet 1 of 2

Benchmark 2500/3000 Dual Fuel & Propane Boilers

APPENDIX I – WIRING DIAGRAMS

CONTROL BOX CONNECTORS



REV	ECO	REVISIONS	DATE	BY	CHKD
3		SEE PAGE 1 FOR REVISIONS		JC	

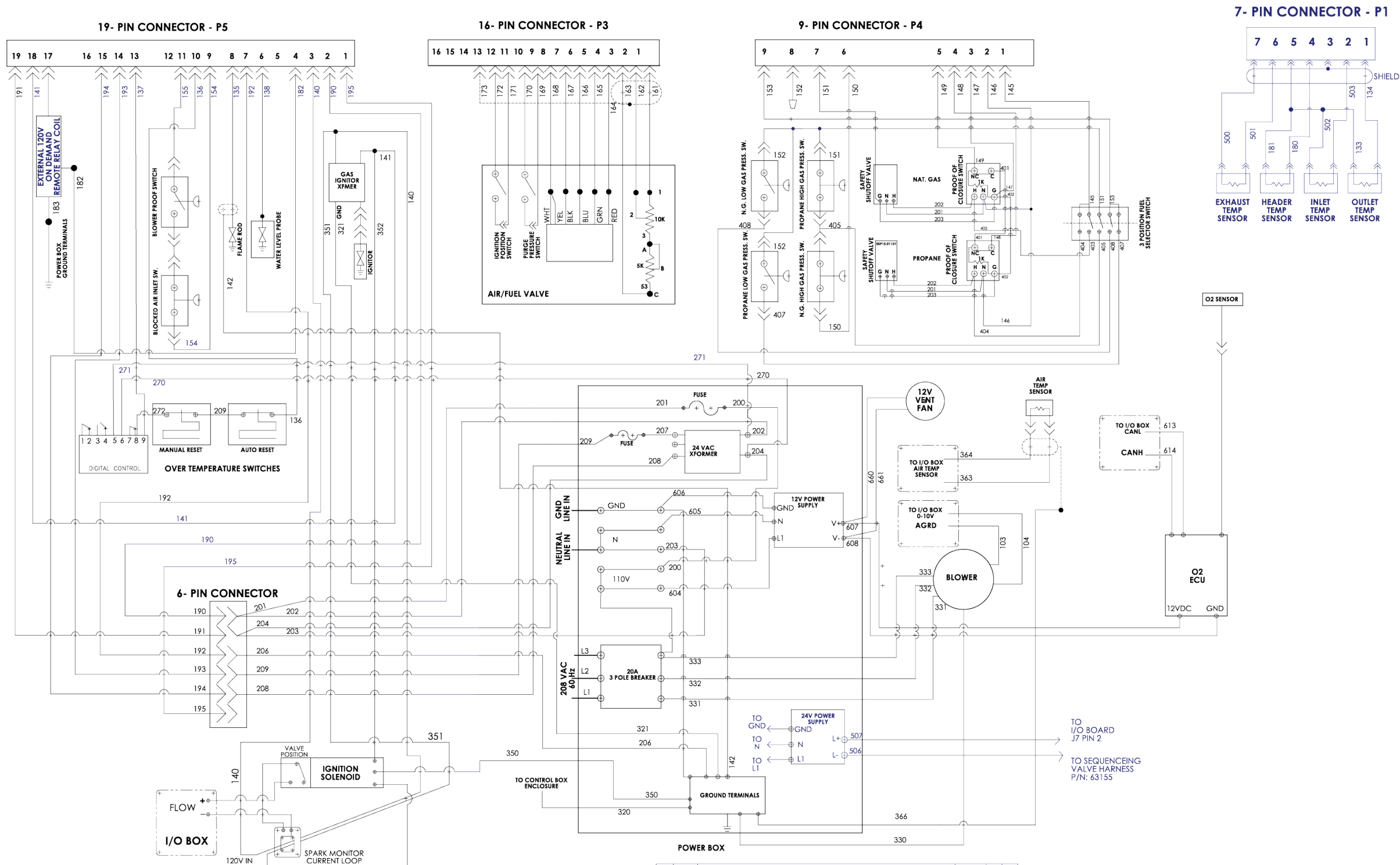
THIRD ANGLE PROJECTION	ORIGINAL FILED	DRAWN BY: jcoles	DATE: 11/19/12	INTERNATIONAL INC. BLAUVELT, NY 10913
		CHECKED BY:	DATE:	
ALL DIMENSIONS ARE IN INCHES AND ALL TOLERANCES ARE AS FOLLOWS UNLESS OTHERWISE SPECIFIED XX ±.06 XXX ±.03 FRACTIONS 1/32± ANGLES ±1° DIAMETERS ON A COMMON AXIS .06 TOTAL CRITICAL DIMENSION (+.00 -)				TITLE: WIRING SCHEMATIC, DF, 460 VAC BMK 3000 DOUBLE VALVE BODY
THESE DRAWINGS AND/OR SPECIFICATIONS ARE THE PROPERTY OF AERCO INTERNATIONAL, INC. THEY ARE ISSUED IN STRICT CONFIDENCE AND SHALL NOT BE REPRODUCED, COPIED, OR USED AS THE BASIS FOR MANUFACTURE OR SALE OF APPARATUS WITHOUT PERMISSION OF THE OWNER.				DWG. NO.: 68044 SHEET 2 OF 2

Drawing Number: 68044 rev D, Sheet 2 of 2

Benchmark 2500/3000 Dual Fuel & Propane Boilers

APPENDIX I – WIRING DIAGRAMS

CONTROL BOX CONNECTIONS



D	1167-2	ADDED SPARK SENSE AND BURKERT VALVE	8/03/15	ML	THIRD ANGLE PROJECTION	ORIGINAL	DRAWN BY: jcoles	DATE:	INTERNATIONAL INC.
C	960	ADDED 24V POWER SUPPLY	1/21/14	CE		D	CHECKED BY:	DATE:	100 ORITANI DR. BLAUVELT, N.Y.
B	812	REVISED FOR 4 SEC DELAY	4/30/13	JC					TITLE
A	800	RELEASED FOR PRODUCTION	9/20/12	JC					WIRING SCHEMATIC, DF, 208V
REV	ECO	REVISIONS	DATE	BY	DATE	BY	CD		BMK 3000 DOUBLE VALVE BODY

ALL DIMENSIONS ARE IN INCHES AND ALL TOLERANCES ARE AS FOLLOWS UNLESS OTHERWISE SPECIFIED:
 XX.XX ± 0.05 FRACTIONS 1/32" ANGLES ± 1°
 CRITICAL DIMENSION ± 0.015 TOTAL
 PERPENDICULARITY/PARALLELISM/FLATNESS 0.015 TOTAL
 ALL DIMENSIONS ARE AFTER FINISH OR PLATING

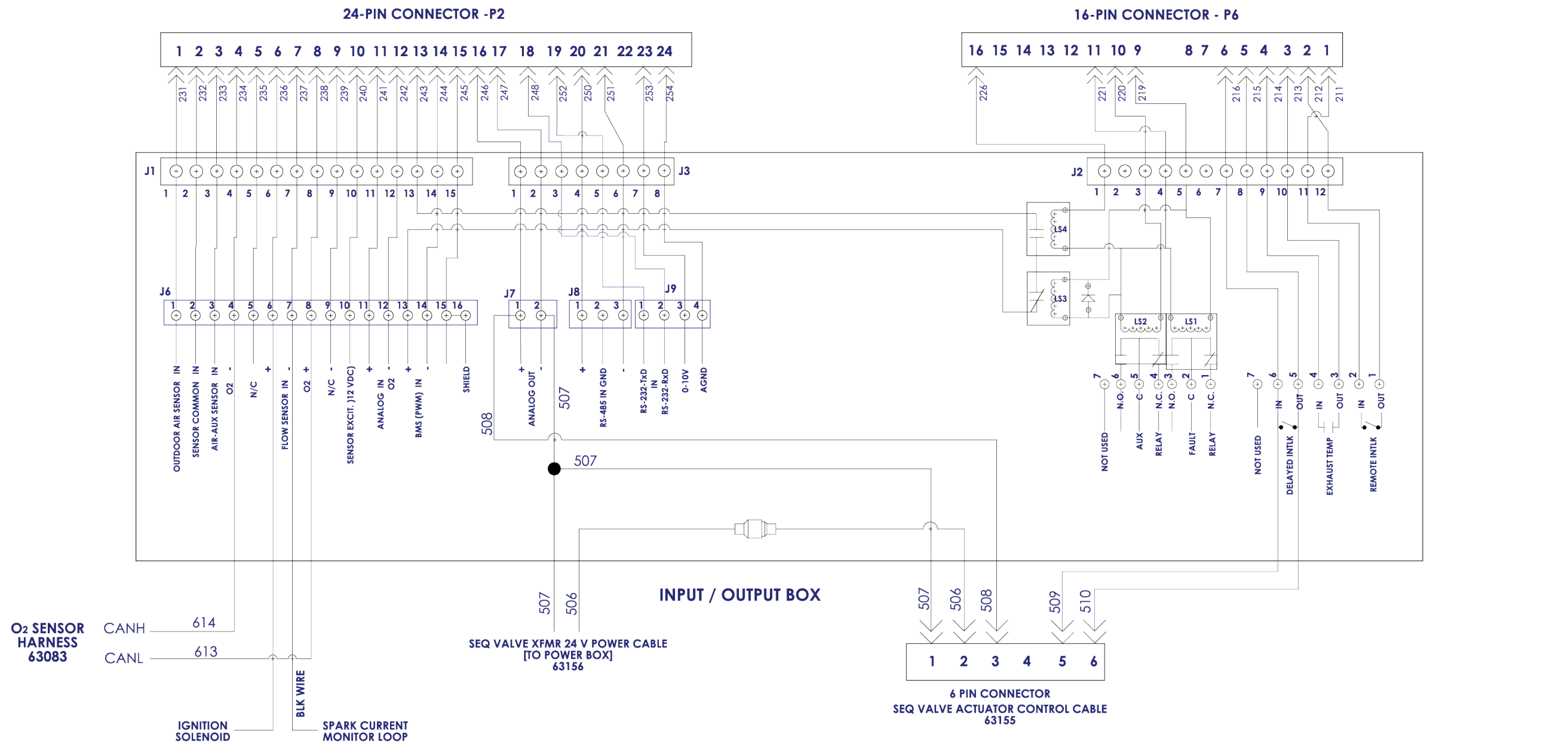
MATL SPEC:	DWG. NO.:	REV
	68045	D
	SHEET 1 OF 2	

Drawing Number: 68045 rev D, Sheet 1 of 2

Benchmark 2500/3000 Dual Fuel & Propane Boilers

APPENDIX I – WIRING DIAGRAMS

CONTROL BOX CONNECTORS



REV	ECO	REVISIONS	DATE	BY	CKD
		SEE SHEET 1 FOR REVISIONS		JC	

THESE DRAWINGS AND/OR SPECIFICATIONS ARE THE PROPERTY OF AERCO INTERNATIONAL, INC. THEY ARE ISSUED IN STRICT CONFIDENCE AND SHALL NOT BE REPRODUCED, COPIED, OR USED AS THE BASIS FOR MANUFACTURE OR SALE OF APPARATUS WITHOUT PERMISSION OF THE OWNER.

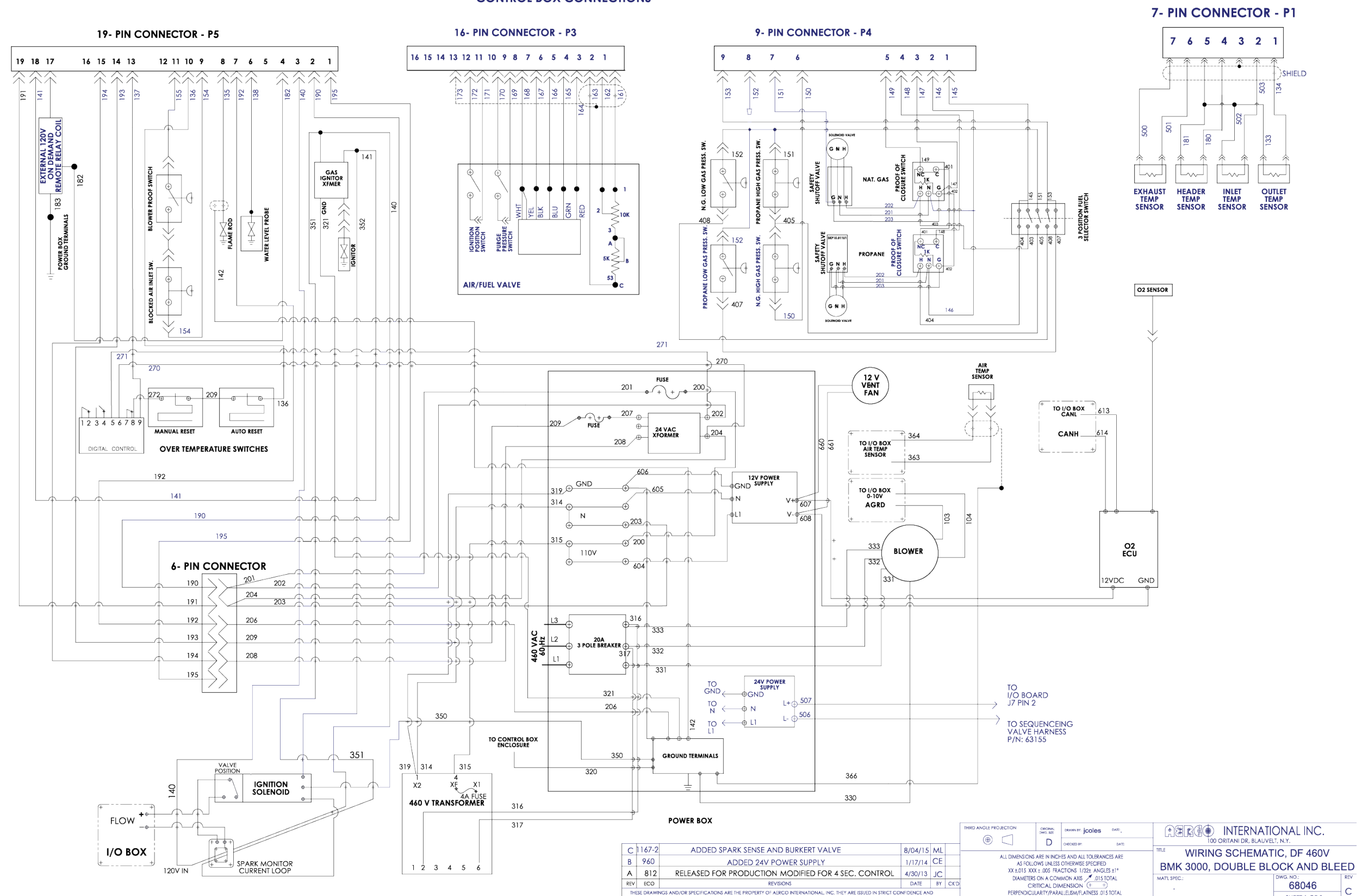
THIRD ANGLE PROJECTION	ORIGINAL DWG. SIZE	DRAWN BY: jcoles	DATE: 11/19/12	 AERCO INTERNATIONAL INC. BLAUVELT, NY 10913
		CHECKED BY:	DATE:	
ALL DIMENSIONS ARE IN INCHES AND ALL TOLERANCES ARE AS FOLLOWS UNLESS OTHERWISE SPECIFIED XXX ±.05 XXX ±.03 FRACTIONS 1/32± ANGLES .11° DIAMETERS ON A COMMON AXIS .06 TOTAL CRITICAL DIMENSION (E-S) PERPENDICULARITY/PARALLELISM/FLATNESS DE TOTAL ALL DIMENSIONS ARE AFTER FINISH OR PLATING				TITLE WIRING SCHEMATIC, DF, 208 VAC BMK 3000 DOUBLE VALVE BODY
MATERIAL SPECIFICATION:				DWG. NO.: 68045 SHEET 2 OF 2
REV.				REV. D

Drawing Number: 68045 rev D, Sheet 2 of 2

Benchmark 2500/3000 Dual Fuel & Propane Boilers

APPENDIX I – WIRING DIAGRAMS

CONTROL BOX CONNECTIONS



REV	ECO	DESCRIPTION	DATE	BY	CHKD
C	1167-2	ADDED SPARK SENSE AND BURKERT VALVE	8/04/15	ML	
B	960	ADDED 24V POWER SUPPLY	1/17/14	CE	
A	812	RELEASED FOR PRODUCTION MODIFIED FOR 4 SEC. CONTROL	4/30/13	JC	

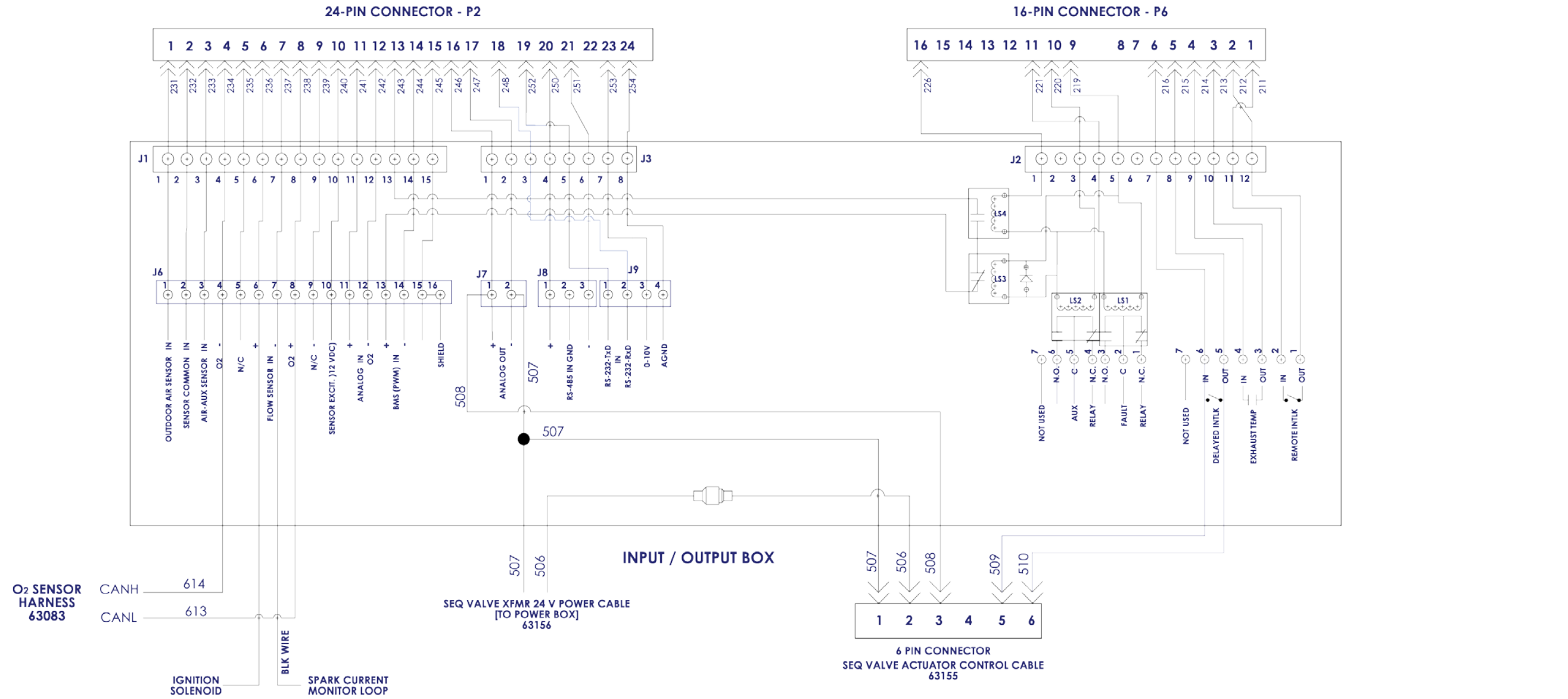
THIRD ANGLE PROJECTION	ORIGINAL SIZE	DRAWN BY: jcales	DATE:	 AERCO INTERNATIONAL INC. 100 CRITANI DR., BLAUVELT, N.Y.
		CHECKED BY:	DATE:	
ALL DIMENSIONS ARE IN INCHES AND ALL TOLERANCES ARE AS FOLLOWS UNLESS OTHERWISE SPECIFIED: XX ±0.15 XX1 ±.005 FRACTIONS 1/16" ANGLES 11° DIAMETERS ON A COMMON AXIS .015 TOTAL CRITICAL DIMENSION PERPENDICULARITY/PARALLELISM/FLATNESS .015 TOTAL ALL DIMENSIONS ARE AFTER FINISH OR PLATING				TITLE: WIRING SCHEMATIC, DF 460V BMK 3000, DOUBLE BLOCK AND BLEED MATL SPEC: DWG. NO.: 68046 SHEET 1 OF 2

Drawing Number: 68046 rev C, Sheet 1 of 2

Benchmark 2500/3000 Dual Fuel & Propane Boilers

APPENDIX I – WIRING DIAGRAMS

CONTROL BOX CONNECTORS



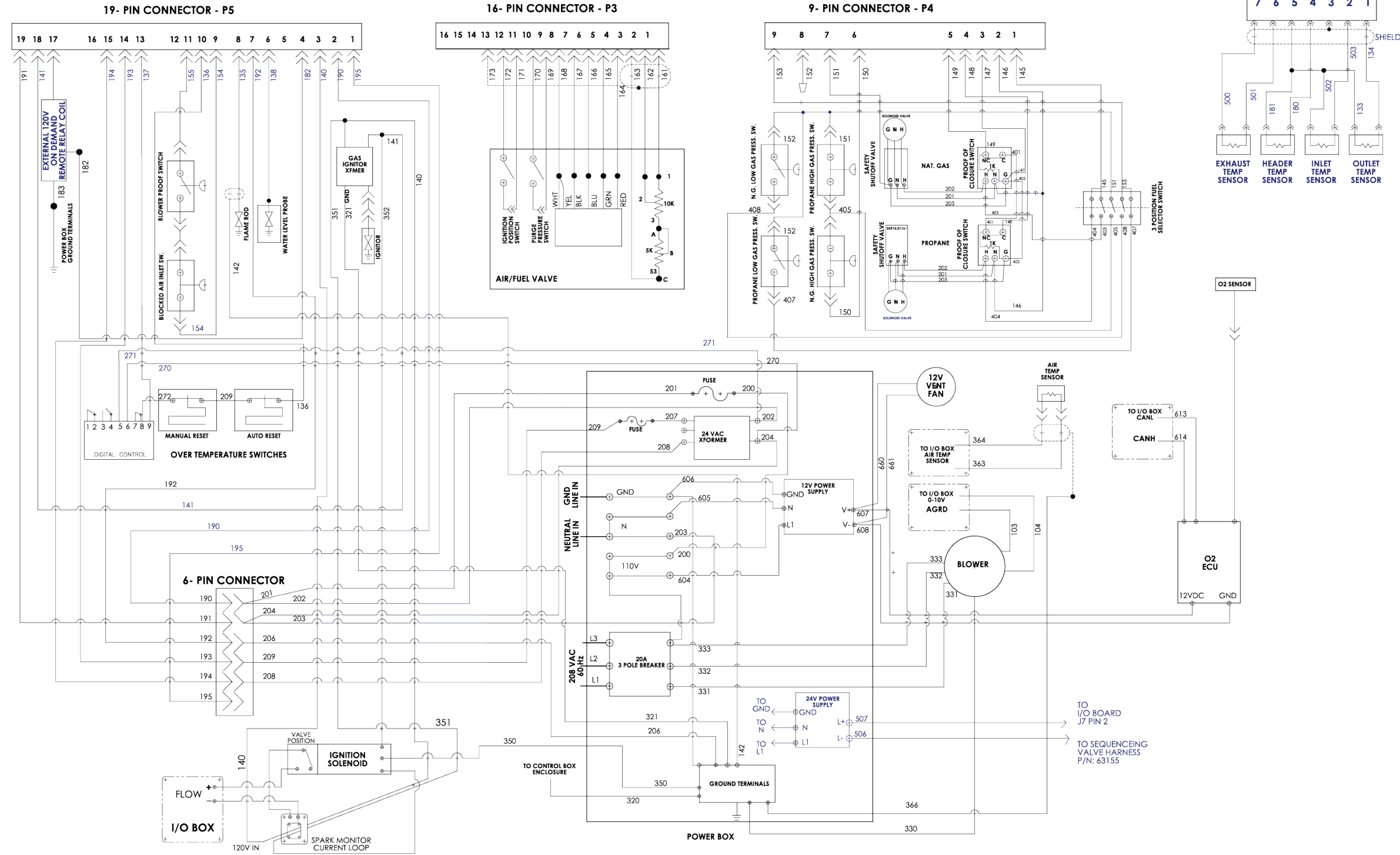
Drawing Number: 68046 rev C, Sheet 2 of 2

3		SEE PAGE 1 FOR REVISIONS		JC	
REV	NO	DATE	BY	CHKD	DATE
1	1				
<small>THESE DRAWINGS AND/OR SPECIFICATIONS ARE THE PROPERTY OF AERCO INTERNATIONAL, INC. THEY ARE ISSUED IN STRICT CONFIDENCE AND SHALL NOT BE REPRODUCED, COPIED, OR USED AS THE BASIS FOR MANUFACTURE OR SALE OF APPARATUS WITHOUT PERMISSION OF THE OWNER.</small>					
THIRD ANGLE PROJECTION 		DRAWN BY: jcoles DATE: 11/19/12		INTERNATIONAL INC. BLAUVELT, NY 10913	
<small>ALL DIMENSIONS ARE IN INCHES AND ALL TOLERANCES ARE AS FOLLOWS UNLESS OTHERWISE SPECIFIED: XX ± 0.04 XXX ± 0.03 FRACTIONS 1/32 ± ANGLES ± 1° DIAMETERS ON A COMMON AXIS $\frac{\phi}{2}$ TOTAL CRITICAL DIMENSION $\frac{\phi}{2}$ PERPENDICULARITY/PARALLELISM/PLANES/ALL TOTAL ALL DIMENSIONS ARE AFTER FINISH OR PLATING</small>					
TITLE: WIRING SCHEMATIC, DF IRI, 460 VAC BMK 3000 DOUBLE BLOCK AND BLEED				DWG. NO.: 68046 SHEET 2 OF 2	

Benchmark 2500/3000 Dual Fuel & Propane Boilers

APPENDIX I – WIRING DIAGRAMS

CONTROL BOX CONNECTIONS



C	1167-2	ADDED SPARK SENSE AND BURKERT VALVE	8/04/15	ML
B	960	ADDED 24V POWER SUPPLY	1/17/14	CE
A	812	RELEASED FOR PRODUCTION; REVISED FOR 4 SEC DELAY	4/30/13	JC
REV	ECO	REVISIONS	DATE	BY

THESE DRAWINGS AND/OR SPECIFICATIONS ARE THE PROPERTY OF AERCO INTERNATIONAL, INC. THEY ARE ISSUED IN STRICT CONFIDENCE AND SHALL NOT BE REPRODUCED, COPIED, OR USED AS THE BASIS FOR MANUFACTURE OR SALE OF APPARATUS WITHOUT PERMISSION OF THE OWNER.

THIRD ANGLE PROJECTION	ORIGINAL DWG SET	DESIGNED BY: JCOBBS	DATE:
D	CHECKED BY:	DATE:	
INTERNATIONAL INC. 100 ORITANI DR., BLAUVELT, N.Y.			
TITLE: WIRING SCHEMATIC, DF, 208V BMK 3000 DOUBLE BLOCK AND BLEED			
MATL SPEC:	DWG. NO.: 68047	REV:	C
	SHEET 1 OF 2		

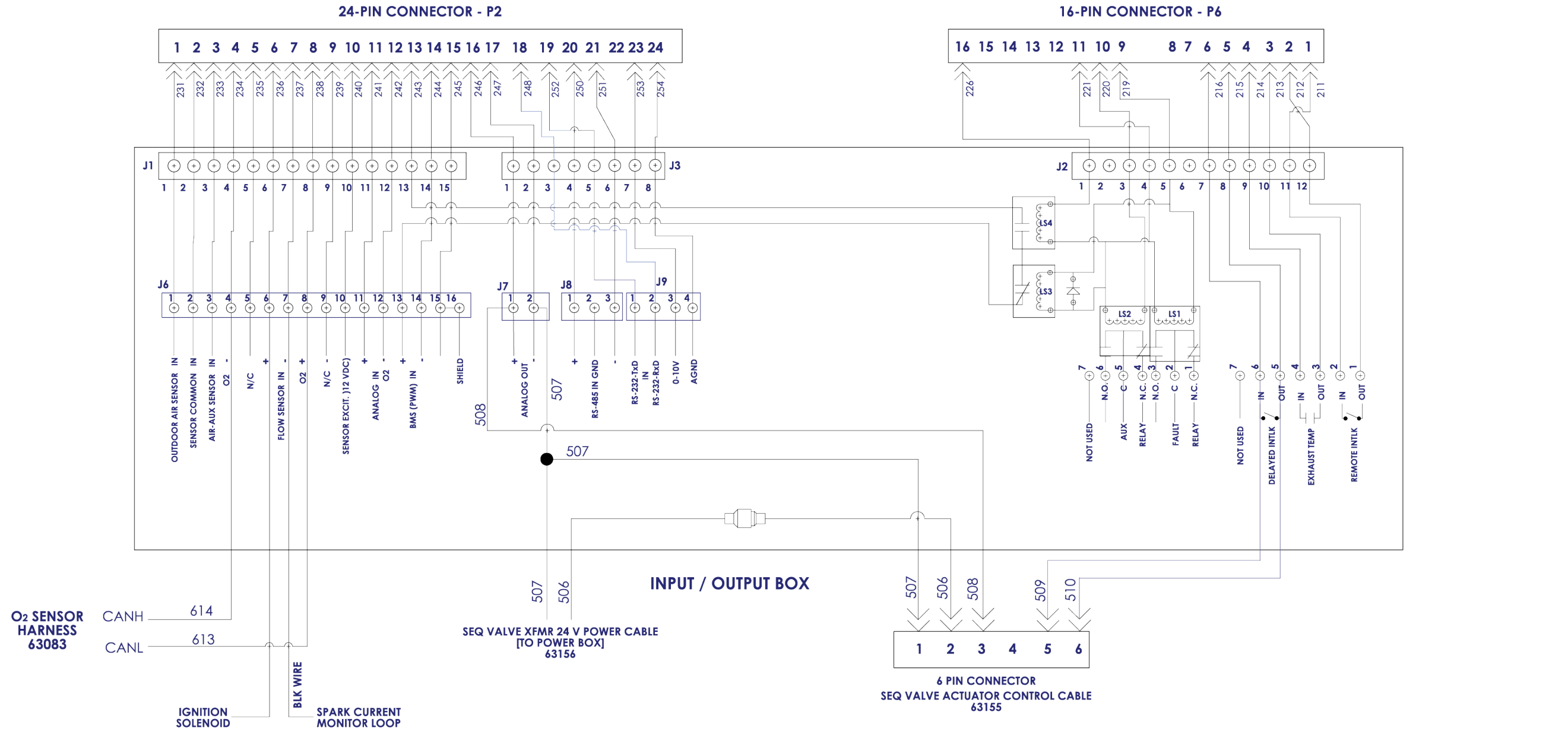
ALL DIMENSIONS ARE IN INCHES AND ALL TOLERANCES ARE AS FOLLOWS UNLESS OTHERWISE SPECIFIED:
 XX ± 0.15 XXX ± .005 FRACTIONS 1/32± ANGLES ±1°
 DIAMETERS ON A COMMON AXIS .015 TOTAL
 CRITICAL DIMENSION (C)
 PERPENDICULARITY/PARALLELISM/FITNESS .015 TOTAL
 ALL DIMENSIONS ARE AFTER FINISH OR PLATING

Drawing Number: 68047 rev C, Sheet 1 of 2

Benchmark 2500/3000 Dual Fuel & Propane Boilers

APPENDIX I – WIRING DIAGRAMS

CONTROL BOX CONNECTORS



O₂ SENSOR HARNESS 63083

CANH 614
CANL 613

IGNITION SOLENOID
SPARK CURRENT MONITOR LOOP

SEQ VALVE XFMR 24 V POWER CABLE [TO POWER BOX] 63156

INPUT / OUTPUT BOX

6 PIN CONNECTOR
SEQ VALVE ACTUATOR CONTROL CABLE 63155

REV	ECO	SEE SHEET 1 FOR REVISIONS	REVISIONS	DATE	BY	CKD
3					JC	

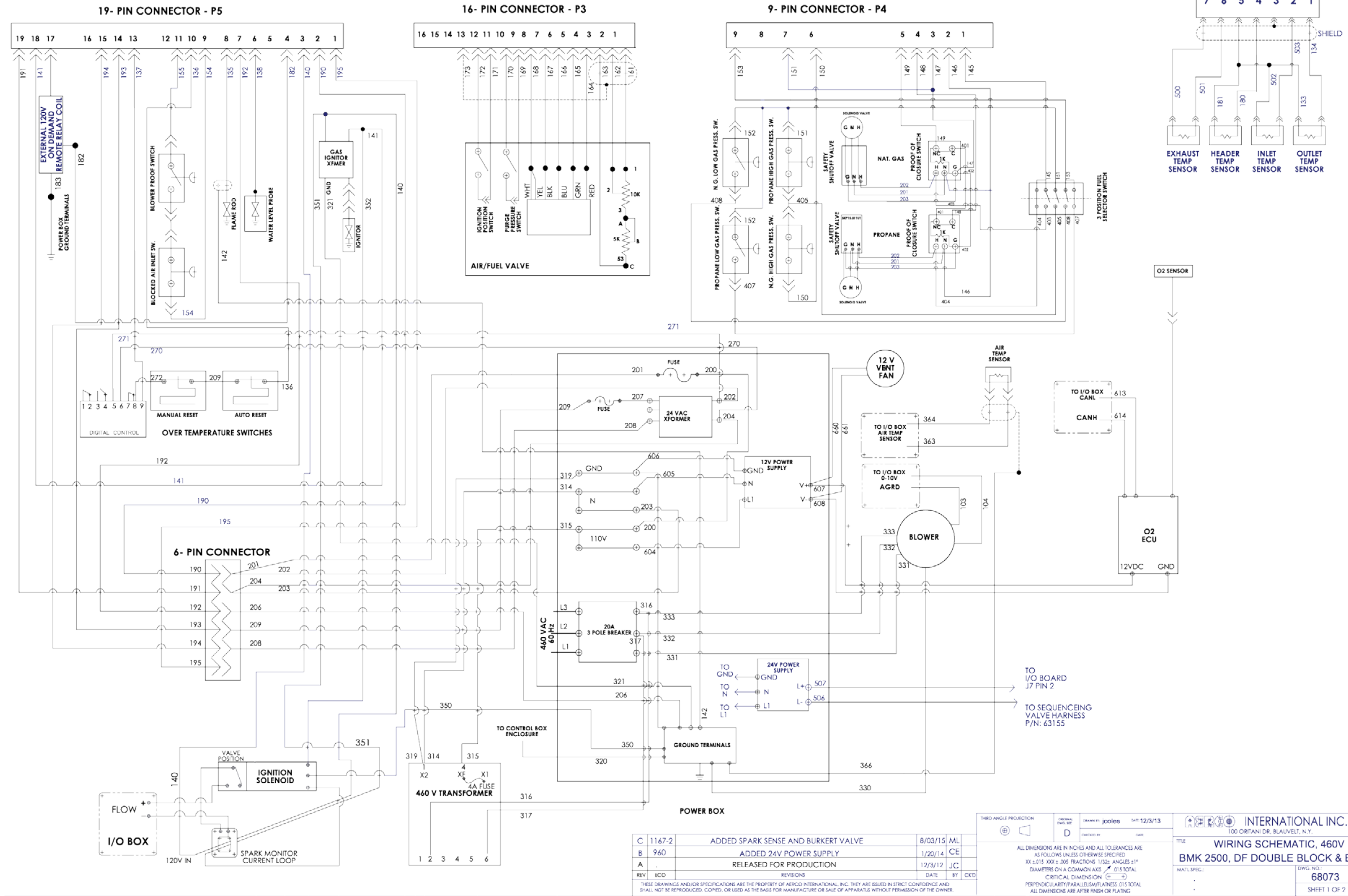
THIRD ANGLE PROJECTION	ORIGINAL DWG. SIZE	DRAWN BY: jcoles	DATE: 11/19/12	INTERNATIONAL INC. BLAUVELT, NY 10913
		CHECKED BY:	DATE:	
ALL DIMENSIONS ARE IN INCHES AND ALL TOLERANCES ARE AS FOLLOWS UNLESS OTHERWISE SPECIFIED: XX.XX ± 0.03 FRACTIONS 1/32 ANGLES ±1° DIAMETERS ON A COMMON AXIS ±0.010 TOTAL CRITICAL DIMENSION (C) PERPENDICULARITY/PARALLELISM/FLATNESS ±0.010 TOTAL ALL DIMENSIONS ARE AFTER FINISH OR PLATING				
TITLE: WIRING SCHEMATIC, DF IRI, 208 VAC BMK 3000 DOUBLEBLOCK AND BLEED				REV: C
MATERIAL SPEC:				DWG. NO.: 68047
				SHEET 2 OF 2

Drawing Number: 68047 rev C, Sheet 2 of 2

Benchmark 2500/3000 Dual Fuel & Propane Boilers

APPENDIX I – WIRING DIAGRAMS

CONTROL BOX CONNECTIONS



REV	ECO	DESCRIPTION	DATE	BY	CHKD
C	1167-2	ADDED SPARK SENSE AND BURKERT VALVE	8/03/15	ML	
B	960	ADDED 24V POWER SUPPLY	1/20/14	CE	
A		RELEASED FOR PRODUCTION	12/3/12	JC	
REV	ECO	REVISIONS	DATE	BY	CHKD

THIRD ANGLE PROJECTION	DESIGNED BY: jacobles	DATE: 12/3/13	INTERNATIONAL INC.
DRAWN BY: jacobles	DATE: 12/3/13	100 ORITANI DR. BLAUVELT, N.Y.	
TITLE: WIRING SCHEMATIC, 460V			
BMK 2500, DF DOUBLE BLOCK & BLEED			
MATL SPEC:	DWG NO: 68073	REV: C	
		SHEET 1 OF 2	

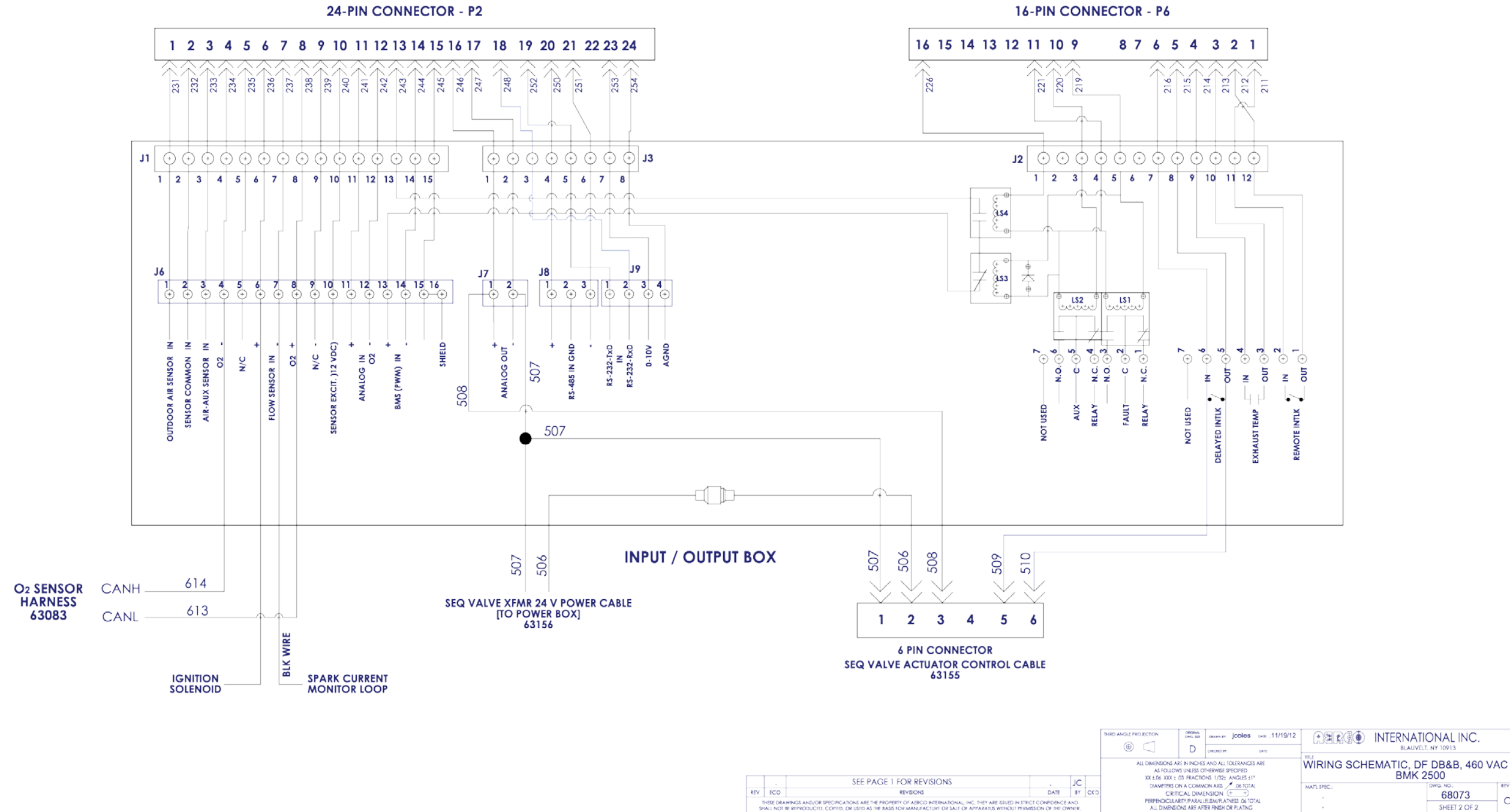
ALL DIMENSIONS ARE IN INCHES AND ALL TOLERANCES ARE AS FOLLOWS UNLESS OTHERWISE SPECIFIED:
 XX ± 0.15 XXX ± 0.05 FRACTIONS 1/32" ANGLES ± 1°
 DIAMETERS ON A COMMON AXIS Ø ± 0.005 TOTAL
 CRITICAL DIMENSIONS ()
 PERPENDICULARITY PARALLELISM SURF FINISH ± 0.5 TOTAL
 ALL DIMENSIONS ARE AFTER FINISH OR PLATING

Drawing Number: 68073 rev C, Sheet 1 of 2

Benchmark 2500/3000 Dual Fuel & Propane Boilers

APPENDIX I – WIRING DIAGRAMS

CONTROL BOX CONNECTORS



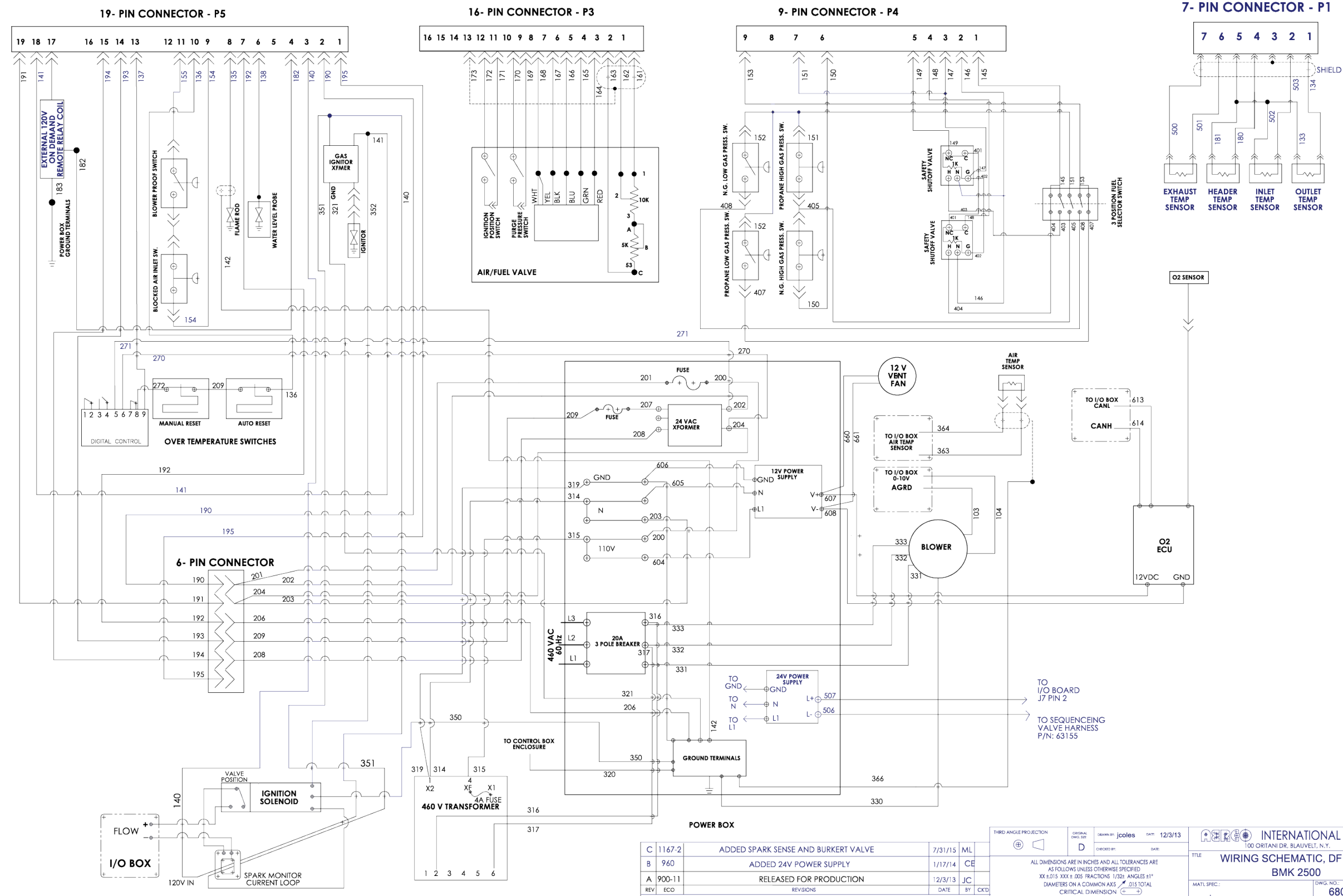
Drawing Number: 68073 rev C, Sheet 2 of 2

THIRD ANGLE PROJECTION		DESIGNED BY: jcoles	DATE: 11/19/12	INTERNATIONAL INC. BLAUVELT, NY 10913	
WIRING SCHEMATIC, DF DB&B, 460 VAC BMK 2500					
SEE PAGE 1 FOR REVISIONS				REV: JC	BY: CKD
<small>ALL DIMENSIONS ARE IN INCHES AND ALL TOLERANCES ARE AS FOLLOWS UNLESS OTHERWISE SPECIFIED: XX.XXX ± .03 FRACTIONS 1/32" ANGLES 11° DIAMETERS ON A COMMON AXIS ØK.TOTAL CRITICAL DIMENSIONS () PERPENDICULARITY/PARALLELISM/FLATNESS DE TOTAL ALL DIMENSIONS ARE AFTER FINISH OR PLATING</small>					
MATERIAL SPECIFICATION				DWG. NO: 68073	REV: C
				SHEET 2 OF 2	

Benchmark 2500/3000 Dual Fuel & Propane Boilers

APPENDIX I – WIRING DIAGRAMS

CONTROL BOX CONNECTIONS



REV	DATE	BY	CHKD	DESCRIPTION
C	11/67-2			ADDED SPARK SENSE AND BURKERT VALVE
B	960			ADDED 24V POWER SUPPLY
A	900-11			RELEASED FOR PRODUCTION

THIRD ANGLE PROJECTION	DATE: 12/3/13
DRAWN BY: jcoles	DATE:
CHECKED BY:	DATE:

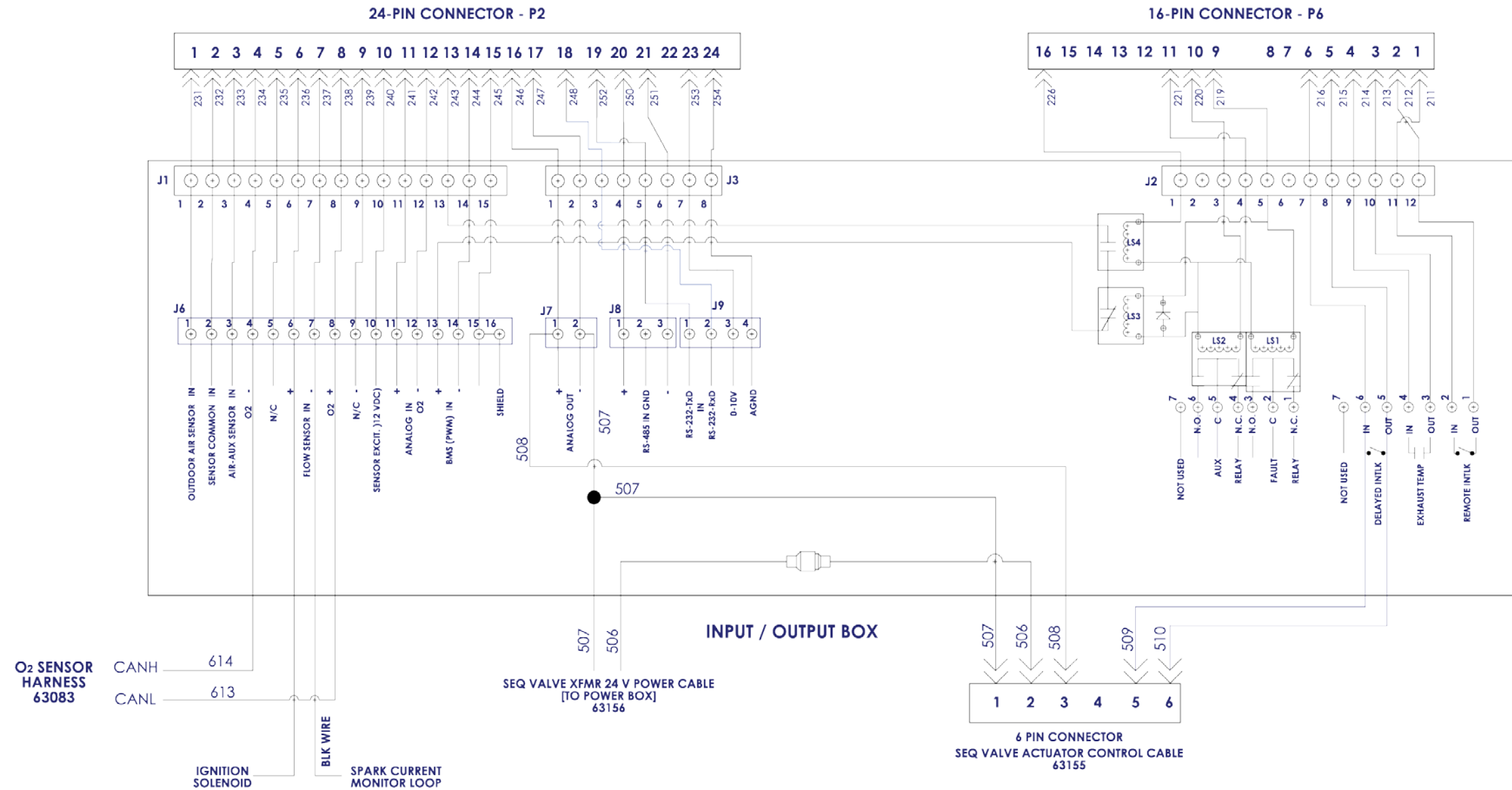
INTERNATIONAL INC. 100 ORITANI DR. BLAUVELT, N.Y.	
TITLE: WIRING SCHEMATIC, DF 460V BMK 2500	
MATL SPEC:	REV: 68067
	SHEET 1 OF 2

Drawing Number: 68067 rev C, Sheet 1 of 2

Benchmark 2500/3000 Dual Fuel & Propane Boilers

APPENDIX I – WIRING DIAGRAMS

CONTROL BOX CONNECTORS



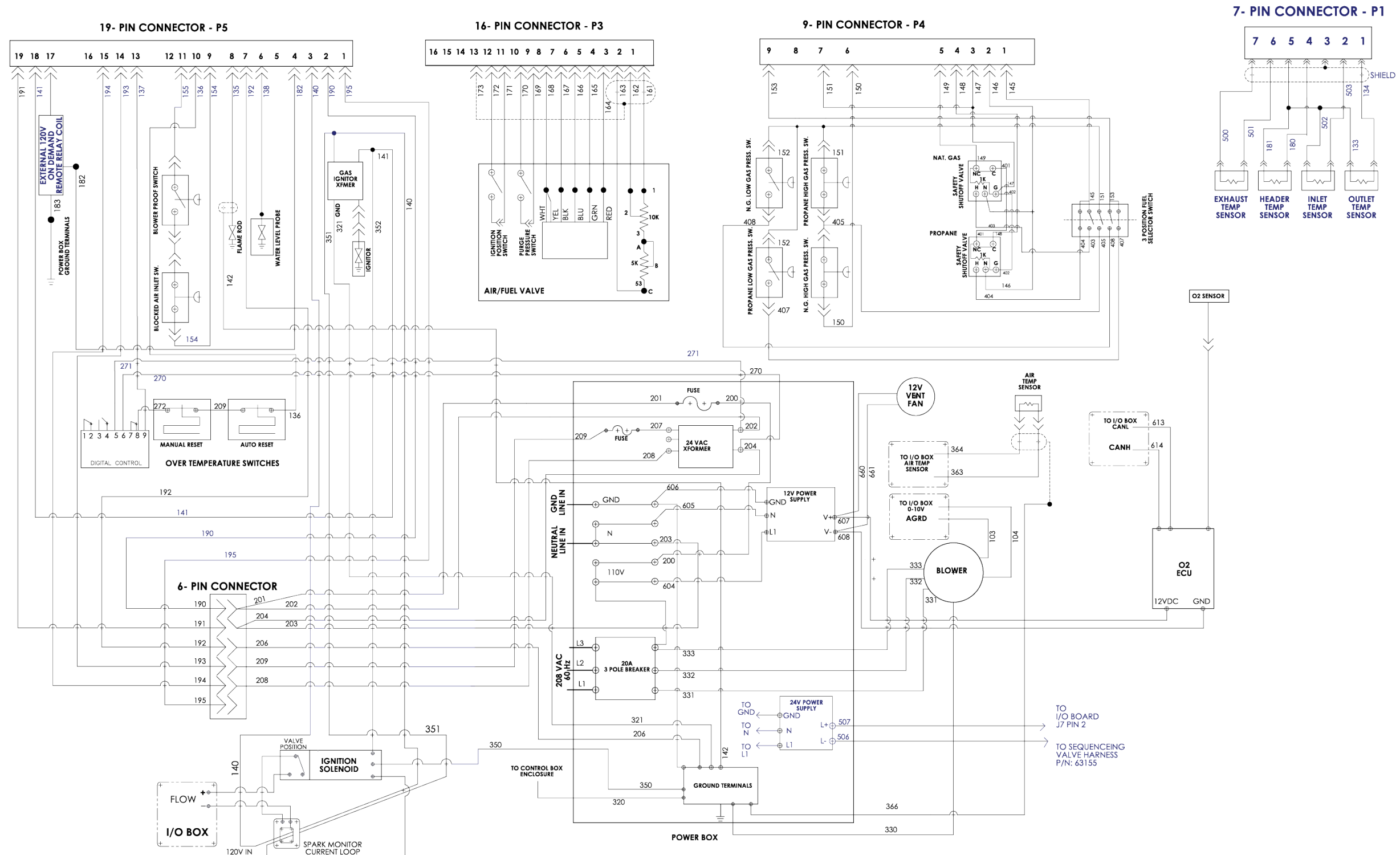
SEE PAGE 1 FOR REVISIONS		REV	ECO	DATE	BY	CHKD
<small>THESE DRAWINGS AND/OR SPECIFICATIONS ARE THE PROPERTY OF AERCO INTERNATIONAL, INC. THEY ARE ISSUED IN STRICT CONFIDENCE AND SHALL NOT BE REPRODUCED, COPIED, OR USED AS THE BASIS FOR MANUFACTURE OR SALE OF APPARATUS WITHOUT PERMISSION OF THE OWNER.</small>						
THIRD ANGLE PROJECTION		ORIGINAL	DESIGNED BY	DATE	INTERNATIONAL INC. BLAUVELT, NY 10913	
<small>ALL DIMENSIONS ARE IN INCHES AND ALL TOLERANCES ARE AS FOLLOWS UNLESS OTHERWISE SPECIFIED: XX.X .04 XXX.X .03 FRACTIONS 1/32 ANGLES 11° DIMENSIONS ON A COMMON AXIS ϕ DE TOTAL CRITICAL DIMENSIONS ϕ PERPENDICULARITY/PARALLELISM/FLATNESS DE TOTAL ALL DIMENSIONS ARE AFTER FINISH OR PLATING</small>		TITLE WIRING SCHEMATIC, DF, 460 VAC BMK 2500		DWG. NO. 68067		REV C
				SHEET 2 OF 2		

Drawing Number: 68067 rev C, Sheet 2 of 2

Benchmark 2500/3000 Dual Fuel & Propane Boilers

APPENDIX I – WIRING DIAGRAMS

CONTROL BOX CONNECTIONS



C	1167-2	ADDED SPARK SENSE AND BURKERT VALVE	8/03/15	ML
B	960	ADDED 24V POWER SUPPLY	1/17/14	CE
A		RELEASED FOR PRODUCTION	12/3/13	JC
REV	ECC	REVISIONS	DATE	BY
<small>THESE DRAWINGS AND/OR SPECIFICATIONS ARE THE PROPERTY OF AERCO INTERNATIONAL, INC. THEY ARE ISSUED IN STRICT CONFIDENCE AND SHALL NOT BE REPRODUCED, COPIED, OR USED AS THE BASIS FOR MANUFACTURE OR SALE OF APPARATUS WITHOUT PERMISSION OF THE OWNER.</small>				

	ORIGINAL DWG. SET D	DRAWN BY: jcoles CHECKED BY: _____ DATE: _____	INTERNATIONAL INC. 100 ORITANI DR., BLAUVELT, N.Y.
TITLE WIRING SCHEMATIC, DF , 208V BMK 2500			MAT'L SPEC.: _____ DWG. NO.: 68066 REV: _____ SHEET 1 OF 2

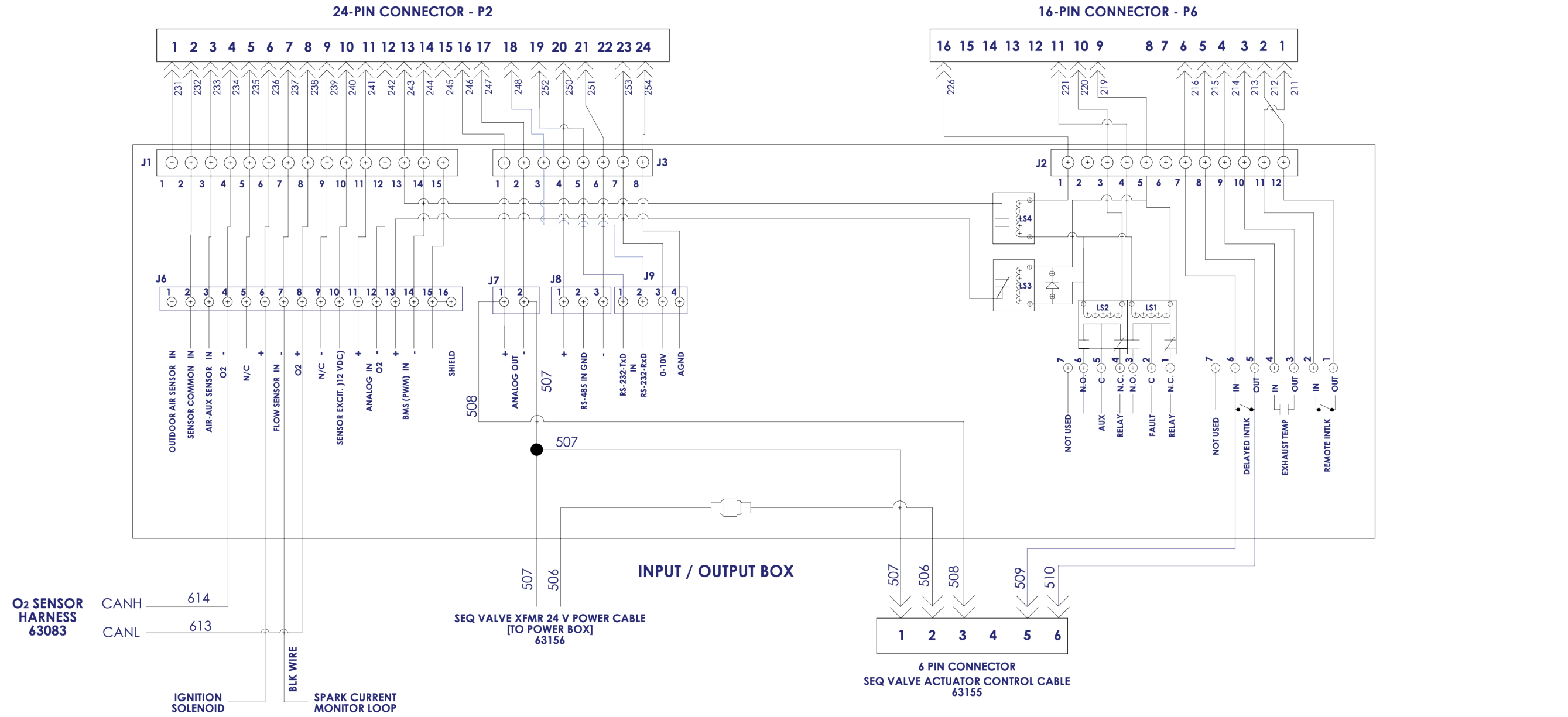
ALL DIMENSIONS ARE IN INCHES AND ALL TOLERANCES ARE AS FOLLOWS UNLESS OTHERWISE SPECIFIED
 XX ± 0.15 XXX ± 0.05 FRACTIONS 1/32; ANGLES ± 1°
 DIAMETERS ON A COMMON AXIS 0.015 TOTAL
 CRITICAL DIMENSION (C) 0.015 TOTAL
 PERPENDICULARITY/PARALLELISM/PLAINNESS 0.015 TOTAL
 ALL DIMENSIONS ARE AFTER FINISH OR PLATING

Drawing Number: 68066 rev C, Sheet 1 of 2

Benchmark 2500/3000 Dual Fuel & Propane Boilers

APPENDIX I – WIRING DIAGRAMS

CONTROL BOX CONNECTORS



REV	ECO	REVISIONS	DATE	BY	JC	CKD
3		SEE SHEET 1 FOR REVISIONS			JC	

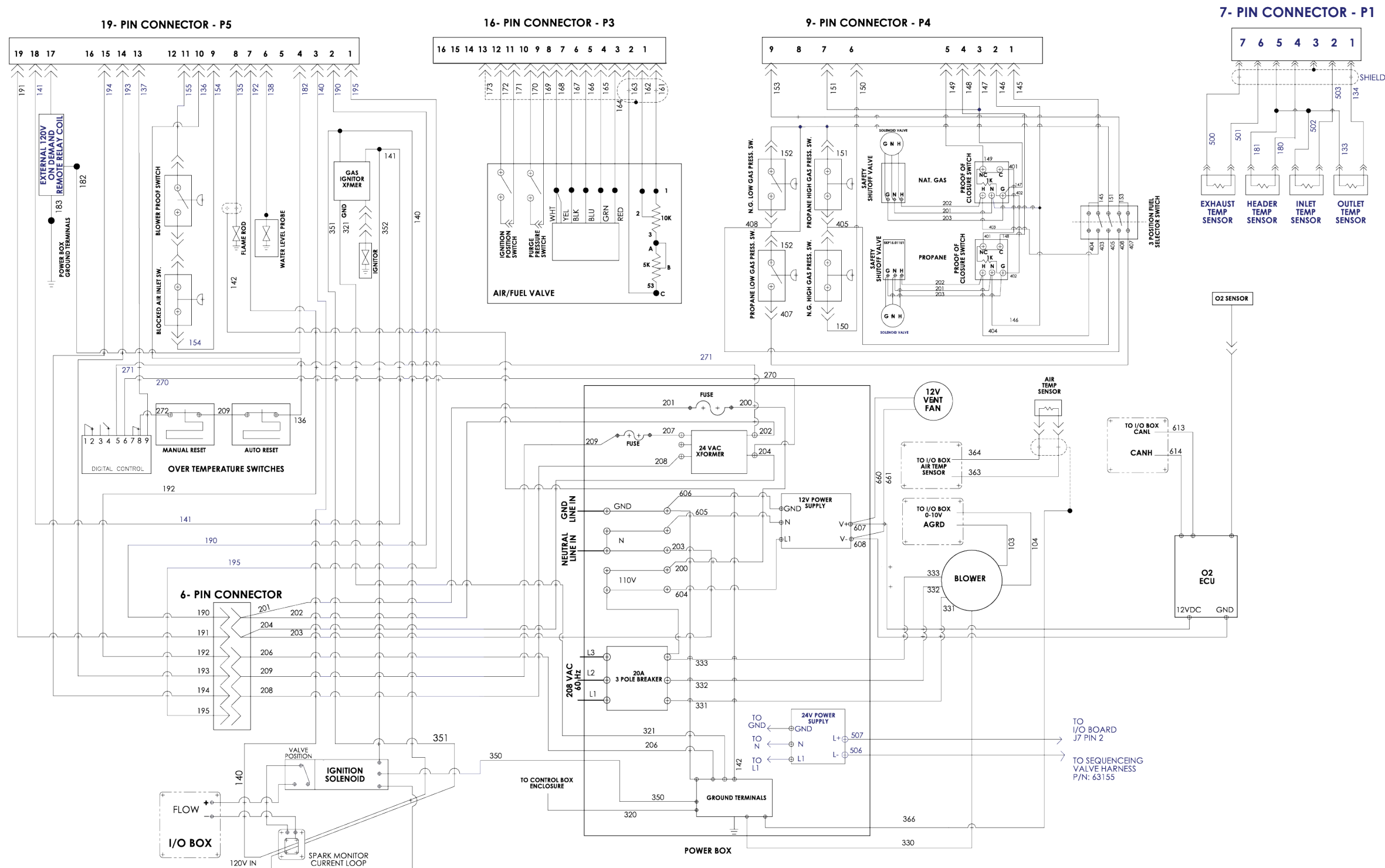
THIRD ANGLE PROJECTION	ORIGINAL DWG. SET	DRAWN BY: jcoles	DATE: 12/3/13	INTERNATIONAL INC. BLAUVELT, NY 10913
		CHECKED BY:	DATE:	TITLE: WIRING SCHEMATIC, DF, 208 VAC BMK 2500
<small>ALL DIMENSIONS ARE IN INCHES AND ALL TOLERANCES ARE AS FOLLOWS UNLESS OTHERWISE SPECIFIED XX ± 0.01 XXX ± 0.03 FRACTIONS: 1/32 ANGLES ±1° DIAMETERS ON A COMMON AXIS Ø6 TOTAL CRITICAL DIMENSION (E →) PERPENDICULARITY/PARALLELISM/FATNESS Ø6 TOTAL ALL DIMENSIONS ARE AFTER FINISH OR PLATING</small>				DWG. NO.: 68066 SHEET 2 OF 2

Drawing Number: 68066 rev C, Sheet 2 of 2

Benchmark 2500/3000 Dual Fuel & Propane Boilers

APPENDIX I – WIRING DIAGRAMS

CONTROL BOX CONNECTIONS



REV	ECO	REVISIONS	DATE	BY	CHKD
C	1167-2	ADDED SPARK SENSE AND BURKERT VALVE	8/03/15	ML	
B	960	ADDED 24V POWER SUPPLY	1/20/14	CE	
A	-	RELEASED FOR PRODUCTION	12/3/13	JC	

THIRD ANGLE PROJECTION	ORIGINAL DATE SET	DRAWN BY: jcoles	DATE:
		CHECKED BY:	DATE:
INTERNATIONAL INC. 100 ORITANI DR. BLAUVELT, N.Y.			
TITLE: WIRING SCHEMATIC, 208V BMK2500 DF DOUBLE BLOCK AND BLEED			
MATL. SPEC.:	DWG. NO.: 68072	REV:	C
	SHEET 1 OF 2		

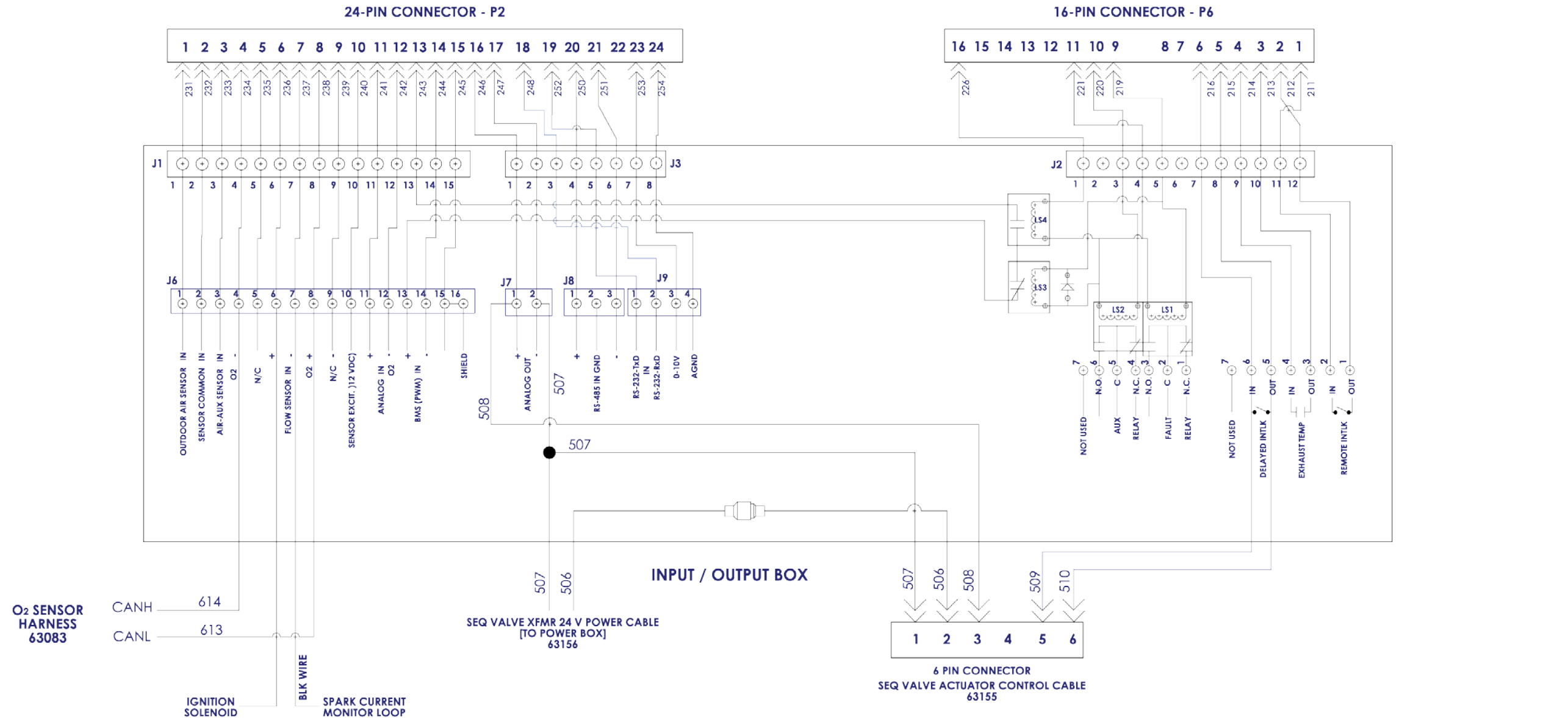
ALL DIMENSIONS ARE IN INCHES AND ALL TOLERANCES ARE AS FOLLOWS UNLESS OTHERWISE SPECIFIED:
 XX ±.015 XXX ±.005 FRACTIONS 1/32± ANGLES ±1°
 DIAMETERS ON A COMMON AXIS .015 TOTAL
 CRITICAL DIMENSION (C)
 PERPENDICULARITY PARALLELISM SQUARENESS .015 TOTAL
 ALL DIMENSIONS ARE AFTER FINISH OR PLATING

Drawing Number: 68072 rev C, Sheet 1 of 2

Benchmark 2500/3000 Dual Fuel & Propane Boilers

APPENDIX I – WIRING DIAGRAMS

CONTROL BOX CONNECTORS



REV	ECO	REVISIONS	DATE	BY	CHKD
3		SEE SHEET 1 FOR REVISIONS		JC	

THIRD ANGLE PROJECTION

INTERNATIONAL INC. BLAUVELT, NY 10913

WIRING SCHEMATIC, DF DB&B, 208 VAC 2500

DWG. NO: 68072 SHEET 2 OF 2

DATE: 12/3/13

DESIGNED BY: jcoles

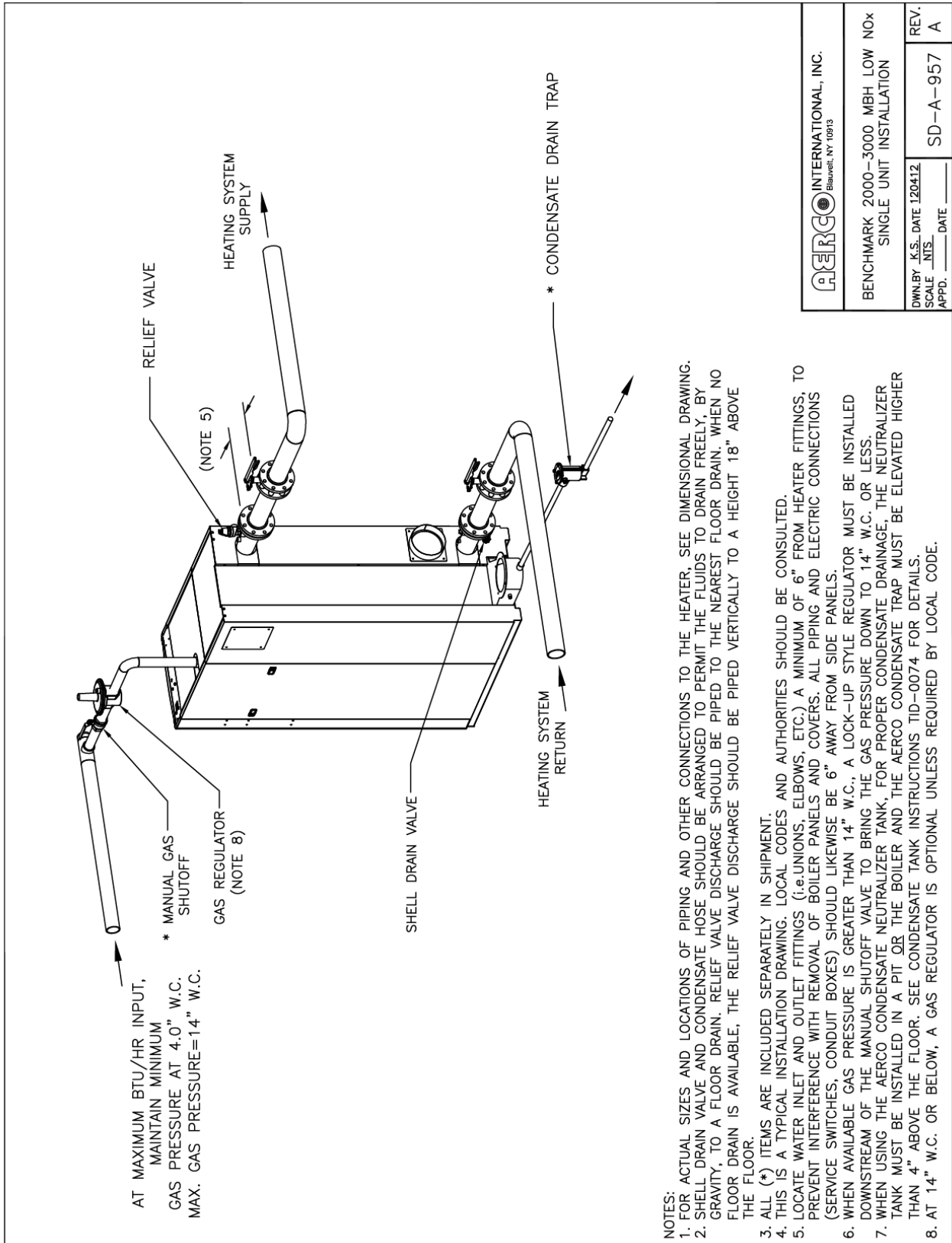
ALL DIMENSIONS ARE IN INCHES AND ALL TOLERANCES ARE AS FOLLOWS UNLESS OTHERWISE SPECIFIED: XX.XX ± 0.01 FRACTIONS 1/32" ANGLES 45° DIAMETERS ON A COMMON AXIS ± 0.010" CRITICAL DIMENSION ± 0.005" PERPENDICULARITY PARALLELISM LATNESS ± 0.010" ALL DIMENSIONS ARE AFTER FINISH OR PLATING

Drawing Number: 68072 rev C, Sheet 2 of 2

Benchmark 2500/3000 Dual Fuel & Propane Boilers

APPENDIX J: PIPING DRAWINGS

APPENDIX J - PIPING DRAWINGS



AERCO INTERNATIONAL, INC.
Blauvelt, NY 10913

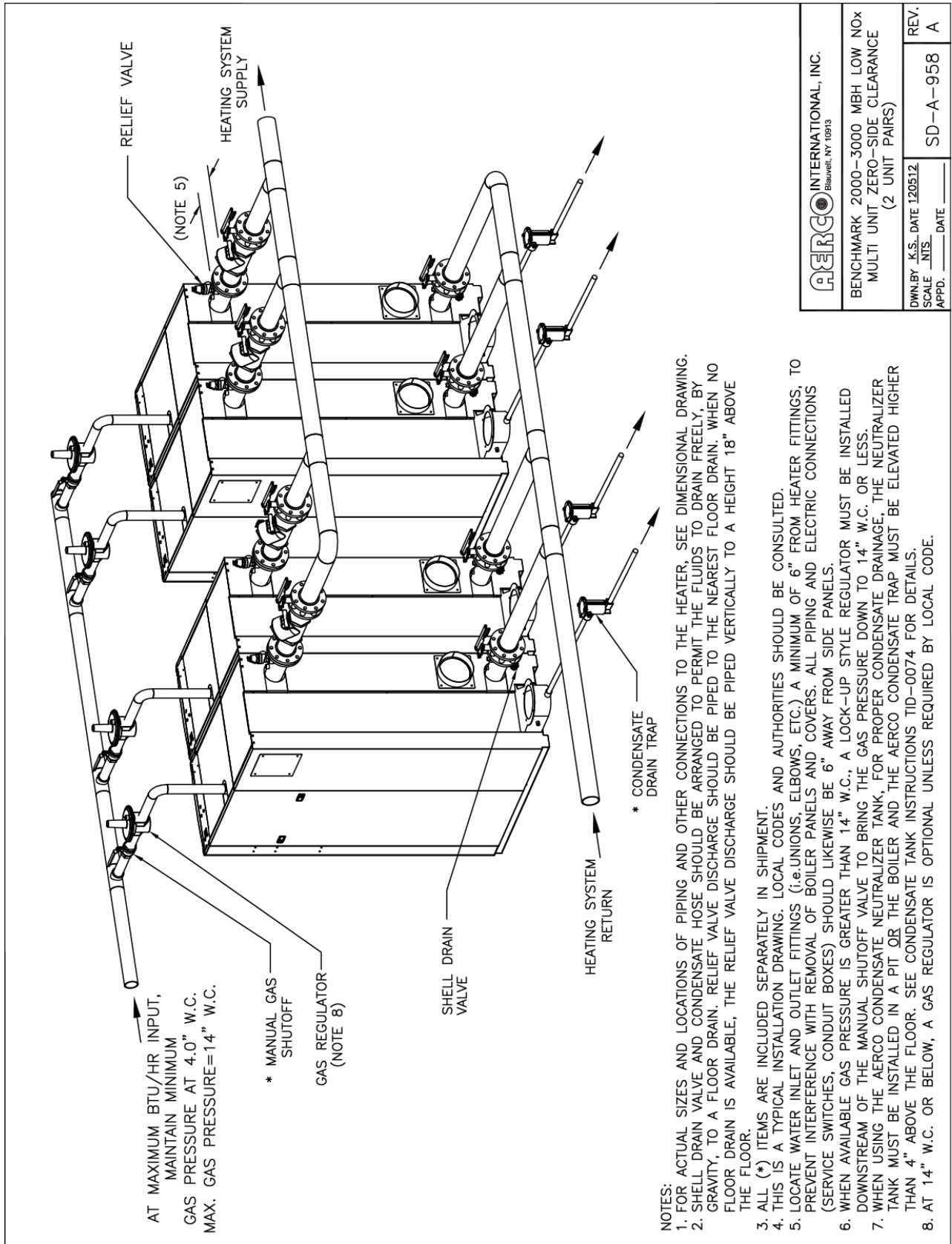
BENCHMARK 2000-3000 MBH LOW NOx
SINGLE UNIT INSTALLATION

DWN. BY	J.S.	DATE	12/04/12
SCALE	1/8" = 1'	APPD.	DATE
REV.	SD-A-957	REV.	A

Drawing Number: SD-A-957 rev A

Benchmark 2500/3000 Dual Fuel & Propane Boilers

APPENDIX J: PIPING DRAWINGS



AERCO INTERNATIONAL, INC.
Blauvelt, NY 10913

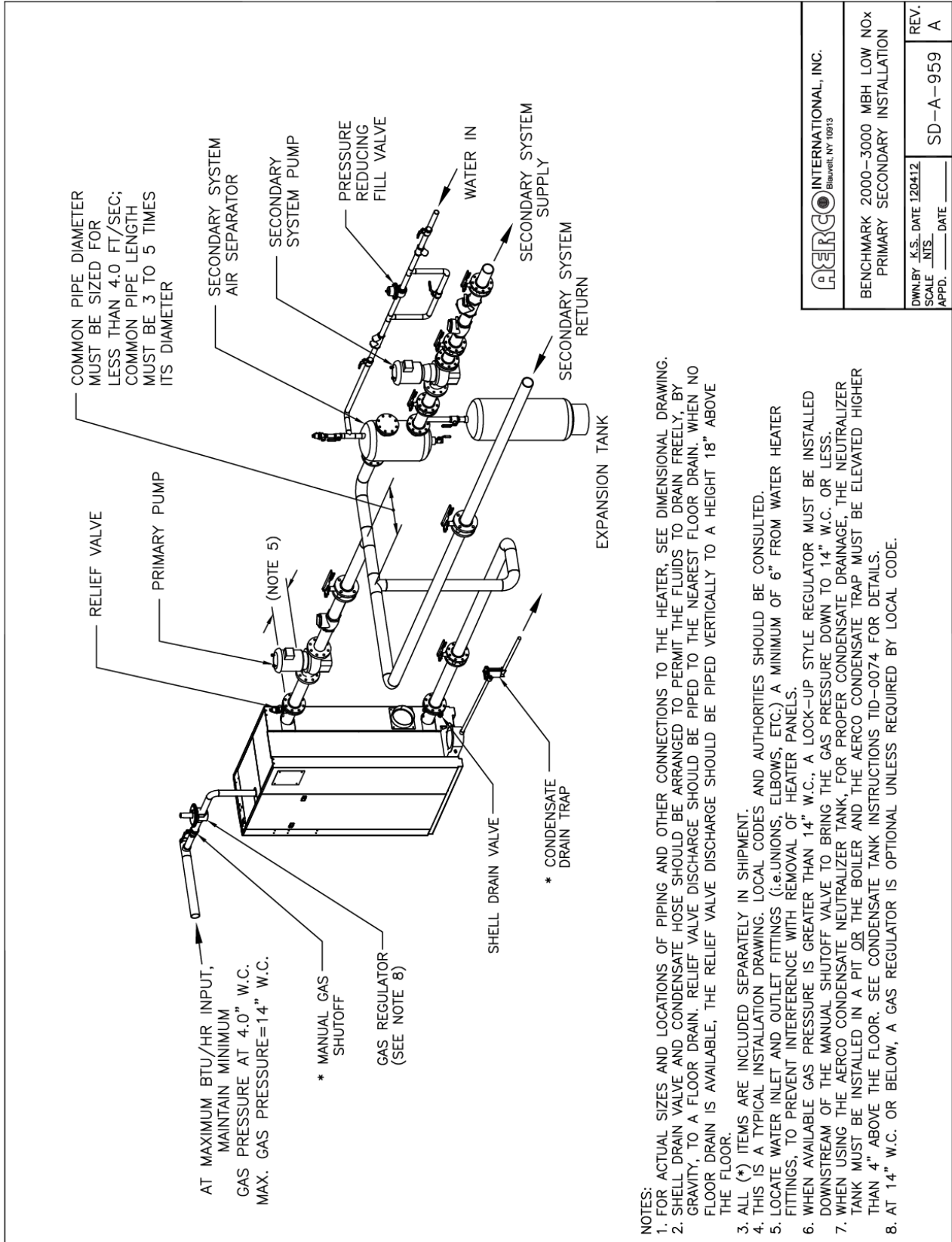
BENCHMARK 2000-3000 MBH LOW NOx
MULTI UNIT ZERO-SIDE CLEARANCE
(2 UNIT PAIRS)

DWN BY: K.S. DATE 120512
SCALE: NTS. DATE _____
APPD. _____ DATE _____
REV. SD-A-958 A

Drawing Number: SD-A-958 rev A

Benchmark 2500/3000 Dual Fuel & Propane Boilers

APPENDIX J: PIPING DRAWINGS



AERCO INTERNATIONAL, INC.
Blauvelt, NY 10913

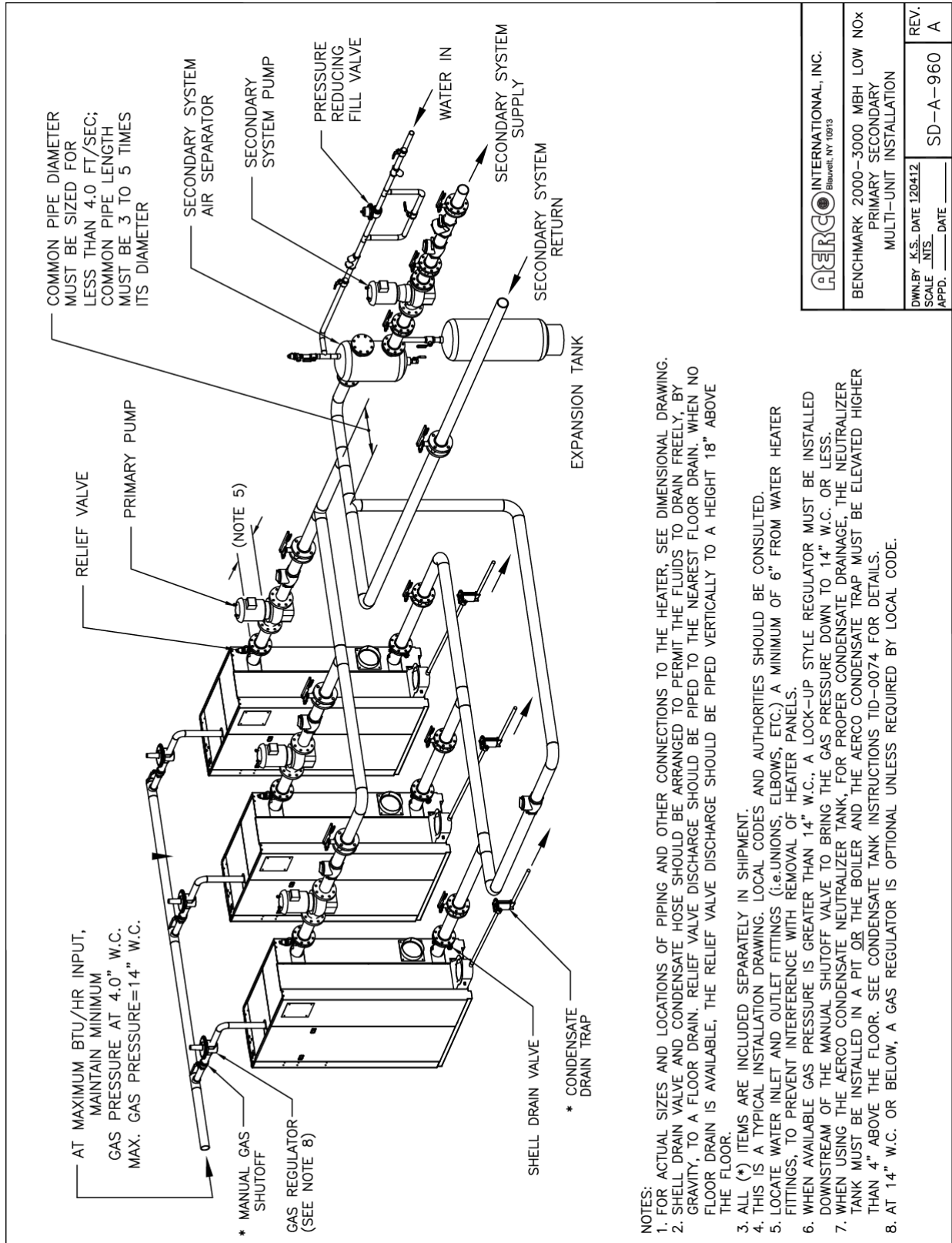
BENCHMARK 2000-3000 MBH LOW NOX
PRIMARY SECONDARY INSTALLATION

DWN. BY: K.S.	DATE 12/04/12	REV. A
SCALE: _____	APPD. _____	SD-A-959

Drawing Number: SD-A-959 rev A

Benchmark 2500/3000 Dual Fuel & Propane Boilers

APPENDIX J: PIPING DRAWINGS



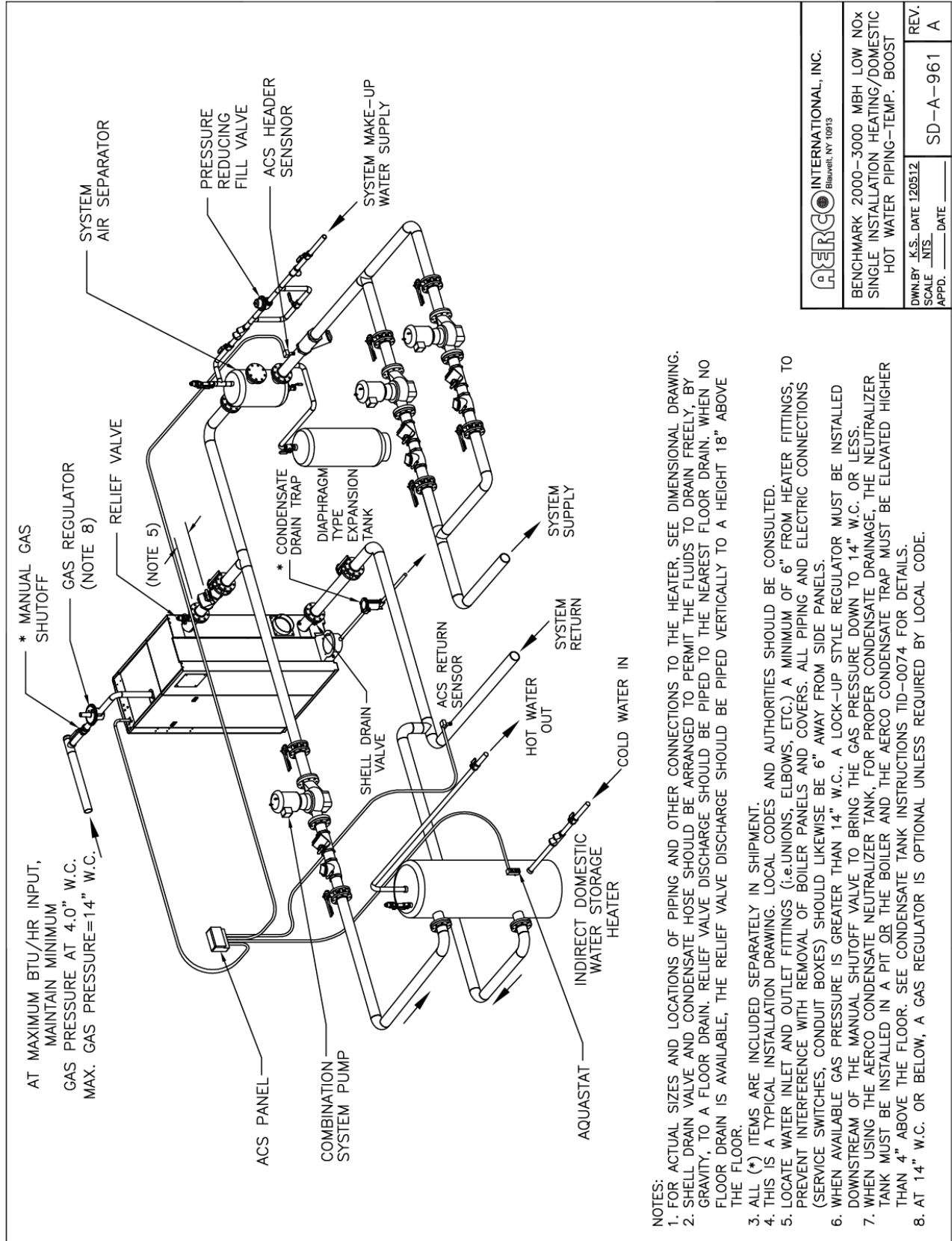
AERCO INTERNATIONAL, INC. <small>Blauvelt, NY 10913</small>	
BENCHMARK 2000-3000 MBH LOW NOx PRIMARY SECONDARY MULTI-UNIT INSTALLATION	
DWN. BY: K.S. DATE 12/04/12	REV. A
SCALE: _____	APPD. _____
DATE: _____	SD-A-960

- NOTES:
- FOR ACTUAL SIZES AND LOCATIONS OF PIPING AND OTHER CONNECTIONS TO THE HEATER, SEE DIMENSIONAL DRAWING.
 - SHELL DRAIN VALVE AND CONDENSATE HOSE SHOULD BE ARRANGED TO PERMIT THE FLUIDS TO DRAIN FREELY, BY GRAVITY, TO A FLOOR DRAIN. RELIEF VALVE DISCHARGE SHOULD BE PIPED TO THE NEAREST FLOOR DRAIN. WHEN NO FLOOR DRAIN IS AVAILABLE, THE RELIEF VALVE DISCHARGE SHOULD BE PIPED VERTICALLY TO A HEIGHT 18" ABOVE THE FLOOR.
 - ALL (*) ITEMS ARE INCLUDED SEPARATELY IN SHIPMENT.
 - THIS IS A TYPICAL INSTALLATION DRAWING. LOCAL CODES AND AUTHORITIES SHOULD BE CONSULTED.
 - LOCATE WATER INLET AND OUTLET FITTINGS (i.e. UNIONS, ELBOWS, ETC.) A MINIMUM OF 6" FROM WATER HEATER FITTINGS, TO PREVENT INTERFERENCE WITH REMOVAL OF HEATER PANELS.
 - WHEN AVAILABLE GAS PRESSURE IS GREATER THAN 14" W.C., A LOCK-UP STYLE REGULATOR MUST BE INSTALLED DOWNSTREAM OF THE MANUAL SHUTOFF VALVE TO BRING THE GAS PRESSURE DOWN TO 14" W.C. OR LESS.
 - WHEN USING THE AERCO CONDENSATE NEUTRALIZER TANK, FOR PROPER CONDENSATE DRAINAGE, THE NEUTRALIZER TANK MUST BE INSTALLED IN A PIT OR THE BOILER AND THE AERCO CONDENSATE TRAP MUST BE ELEVATED HIGHER THAN 4" ABOVE THE FLOOR. SEE CONDENSATE TANK INSTRUCTIONS TID-0074 FOR DETAILS.
 - AT 14" W.C. OR BELOW, A GAS REGULATOR IS OPTIONAL UNLESS REQUIRED BY LOCAL CODE.

Drawing Number: SD-A-960 rev A

Benchmark 2500/3000 Dual Fuel & Propane Boilers

APPENDIX J: PIPING DRAWINGS



AERCO INTERNATIONAL, INC.
Blauvelt, NY 10913

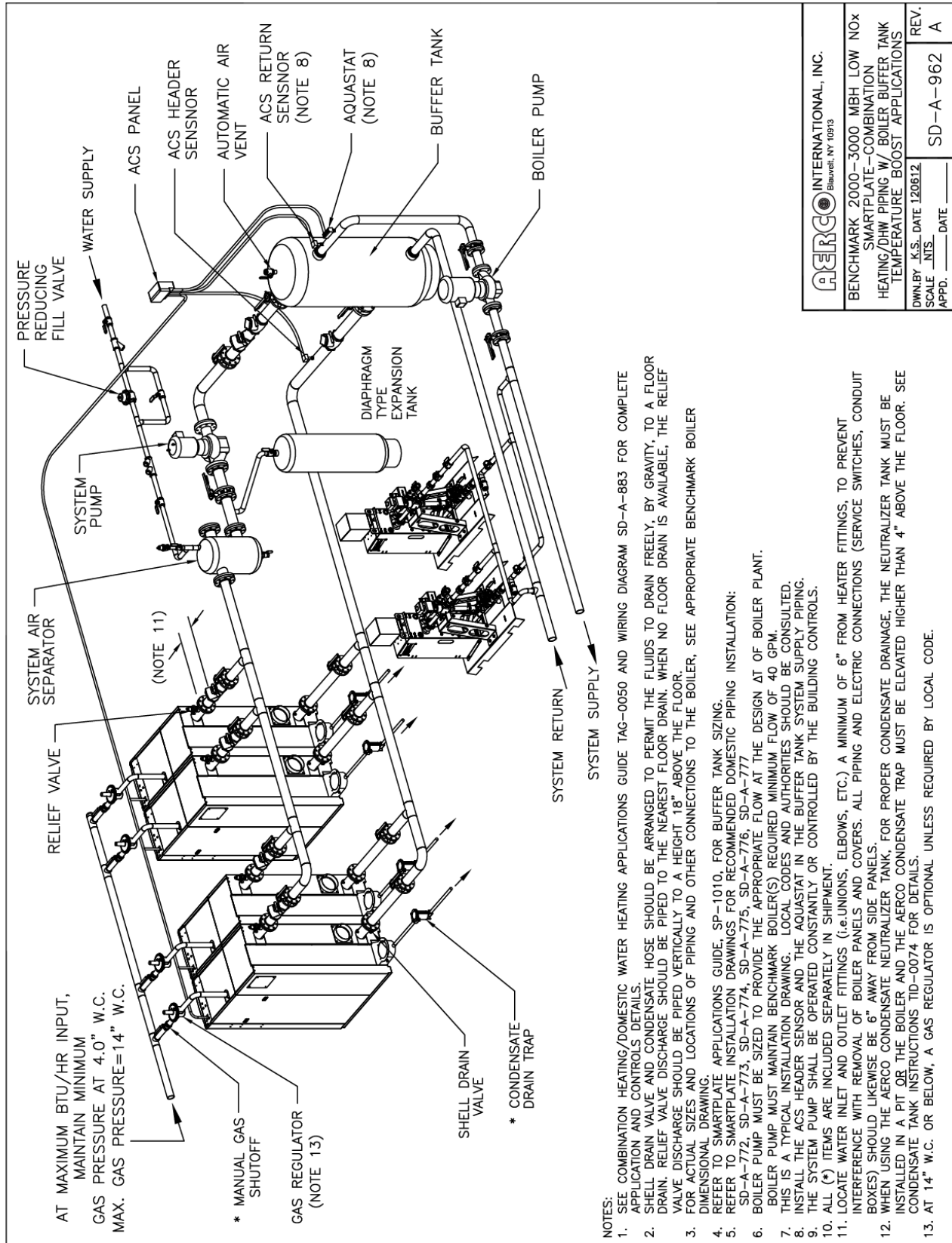
BENCHMARK 2000-3000 MBH LOW NOx
SINGLE INSTALLATION HEATING/DOMESTIC
HOT WATER PIPING-TEMP. BOOST

DWN. BY: K.S.	DATE: 120512	REV.:	A
SCALE: NTS.	DATE:	APPD.:	SD-A-961

Drawing Number: SD-A-961 rev A

Benchmark 2500/3000 Dual Fuel & Propane Boilers

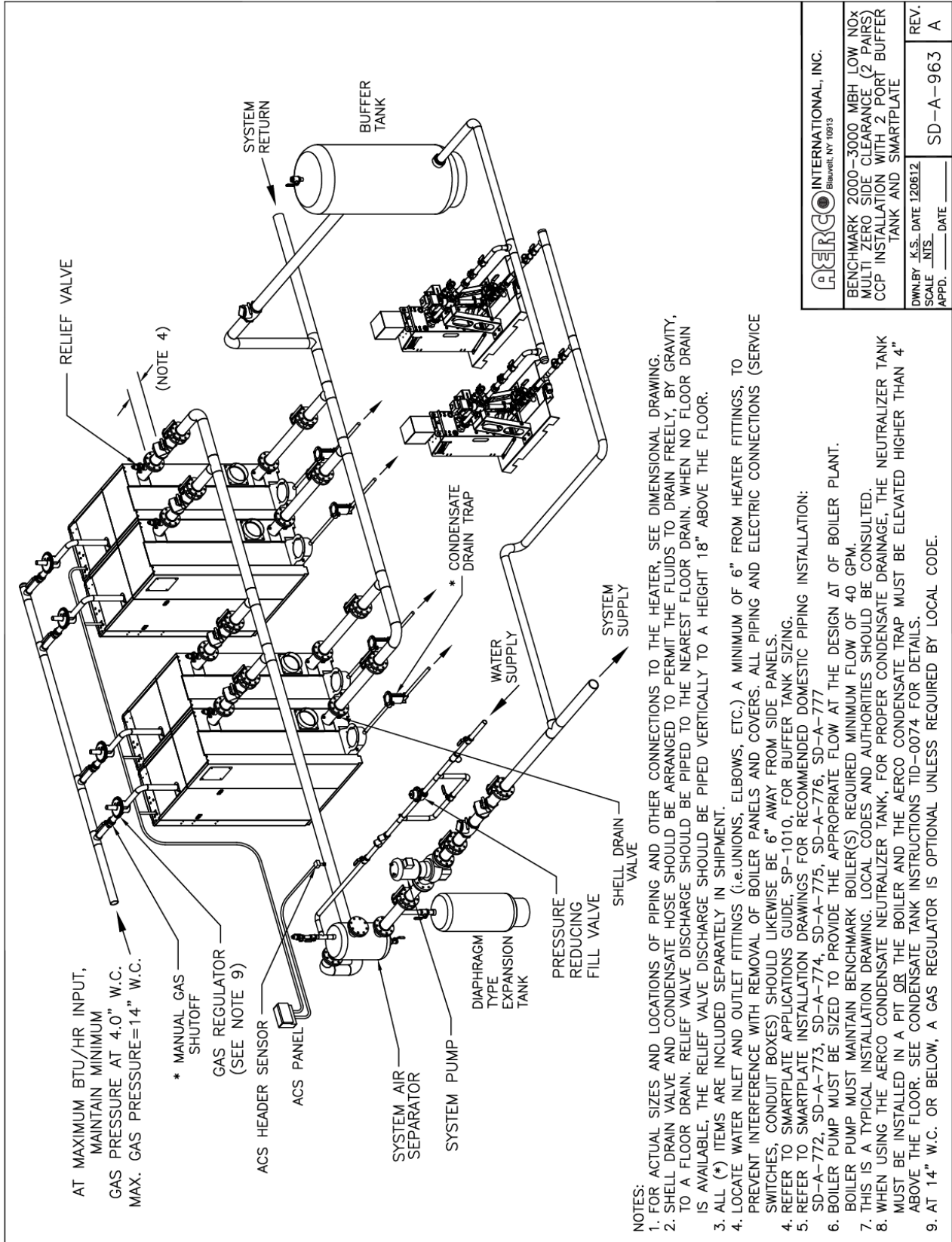
APPENDIX J: PIPING DRAWINGS



Drawing Number: SD-A-962 rev A

Benchmark 2500/3000 Dual Fuel & Propane Boilers

APPENDIX J: PIPING DRAWINGS



BENCHMARK 2000-3000 MBH LOW NOX MULTI-ZERO SIDE CLEARANCE (2 PAIRS) CCP INSTALLATION WITH 2 PORT BUFFER TANK AND SMARTPLATE	
DWG. BY: K.S. DATE 12/06/12	REV. A
SCALE: NTS.	APPD. SD-A-963
DATE	DATE

Drawing Number: SD-A-963 rev A

Benchmark 2500/3000 Dual Fuel & Propane Boilers

APPENDIX J: PIPING DRAWINGS

(This page intentionally blank)

Benchmark 2500/3000 Dual Fuel & Propane Boilers

APPENDIX K – C-MORE CONTROL PANEL VIEWS

APPENDIX K – C-MORE CONTROL PANEL VIEWS

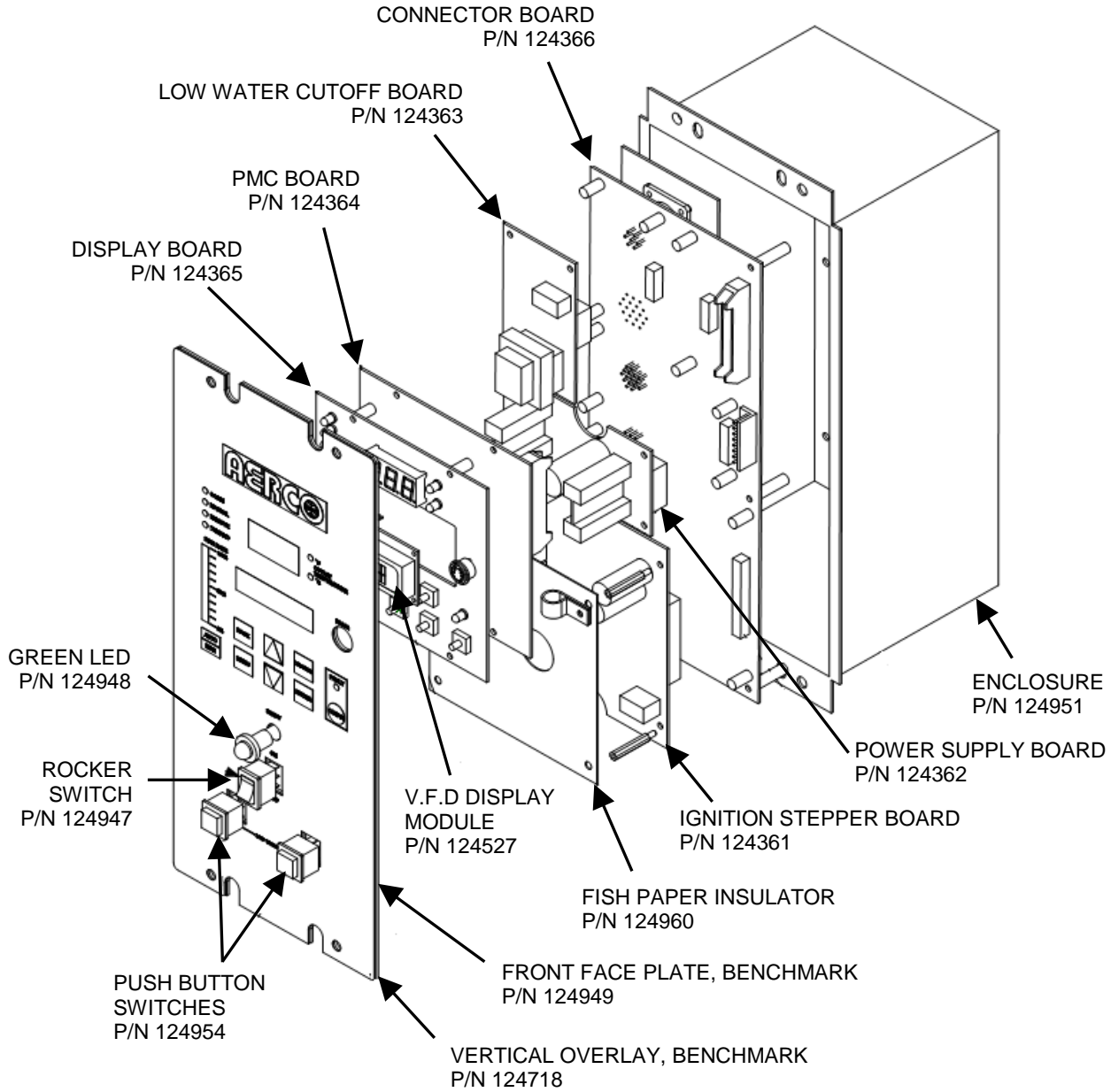


Figure K-1 – Benchmark Control Panel - Exploded View

Benchmark 2500/3000 Dual Fuel & Propane Boilers

APPENDIX K – C-MORE CONTROL PANEL VIEWS

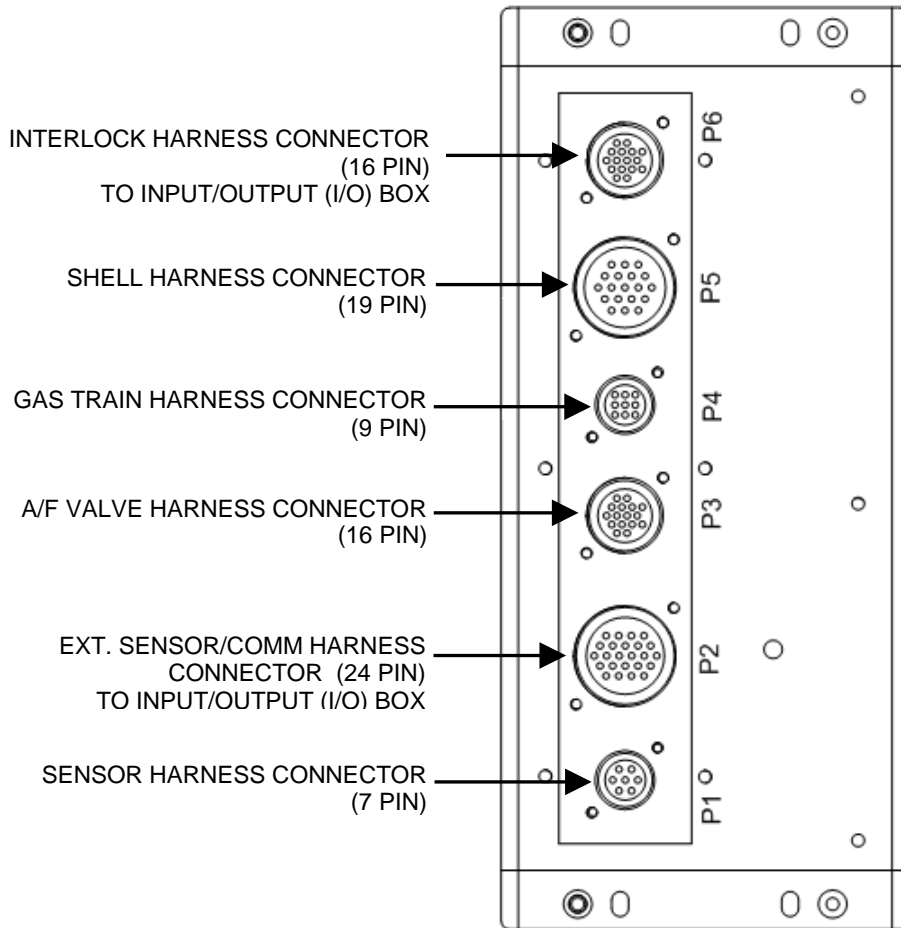


Figure K-2: Benchmark Control Panel Rear View

Benchmark 2500/3000 Dual Fuel & Propane Boilers

APPENDIX L – RECOMMENDED SPARES

APPENDIX L – RECOMMENDED SPARES

NOTE

Refer to Appendix F – Part List Drawings for the locations of the recommended and optional spare parts listed in the following Tables.

Table L-1: Recommended Emergency Spare Parts

DESCRIPTION	PART NUMBER
208 VAC or 460 VAC Blower	24351 <u>or</u> 24350
SSOV Actuator/Regulator Combo: Used on downstream SSOV of gas train.	69005
SSOV Actuator <u>Without</u> Proof of Closure Switch: Used on upstream SSOV of gas train	69038
Temperature Switch - Manual Reset	123552

Table L-2: Spare Parts Recommended for Maintenance

DESCRIPTION	PART NUMBER
Annual Maintenance Kit	58025-01
24-month Waterside/Fireside Inspection Kit	58025-10

Table L-3: Optional Spare Parts

DESCRIPTION	PART NUMBER
C-More Control Box	181197
Burner	46038 (BMK3000 DF) 46039 (BMK2500 DF)
Lean Oxygen Sensor	61026

Benchmark 2500/3000 Dual Fuel & Propane Boilers

APPENDIX M- RECOMMENDED SPARES

(This page intentionally blank)

Benchmark 2500/3000 Dual Fuel & Propane Boilers

APPENDIX M – KOREAN GAS TRAINS

APPENDIX M – KOREAN GAS TRAINS

The information in this appendix applies only to units shipped to Korea. It includes diagrams, parts lists and schematics of the Benchmark 3000 Dual Fuel gas train (P/N **22275**), which contains a NATURAL GAS gas train (P/N **22275-1**) and a gas PROPANE train (P/N **22275-2**).

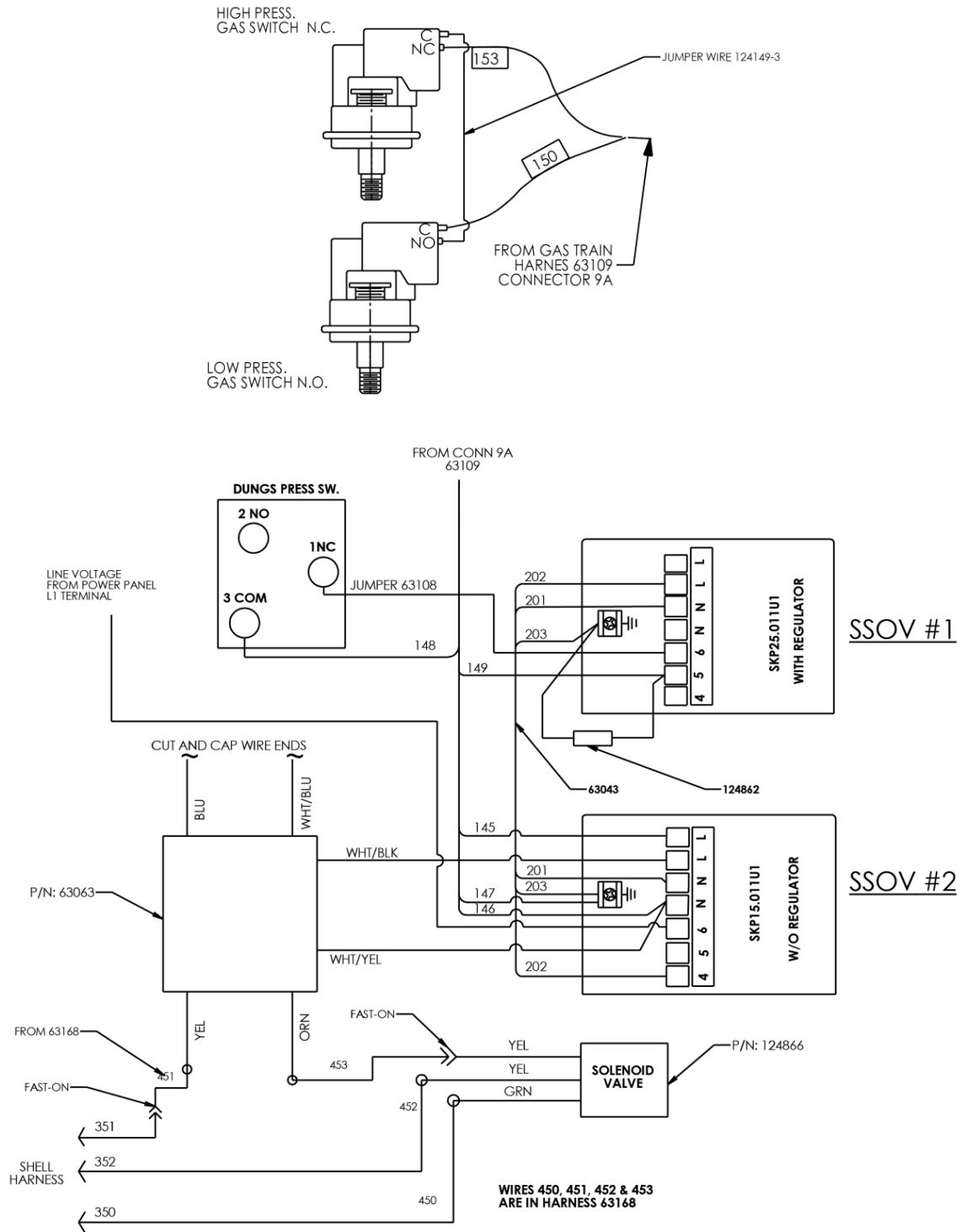
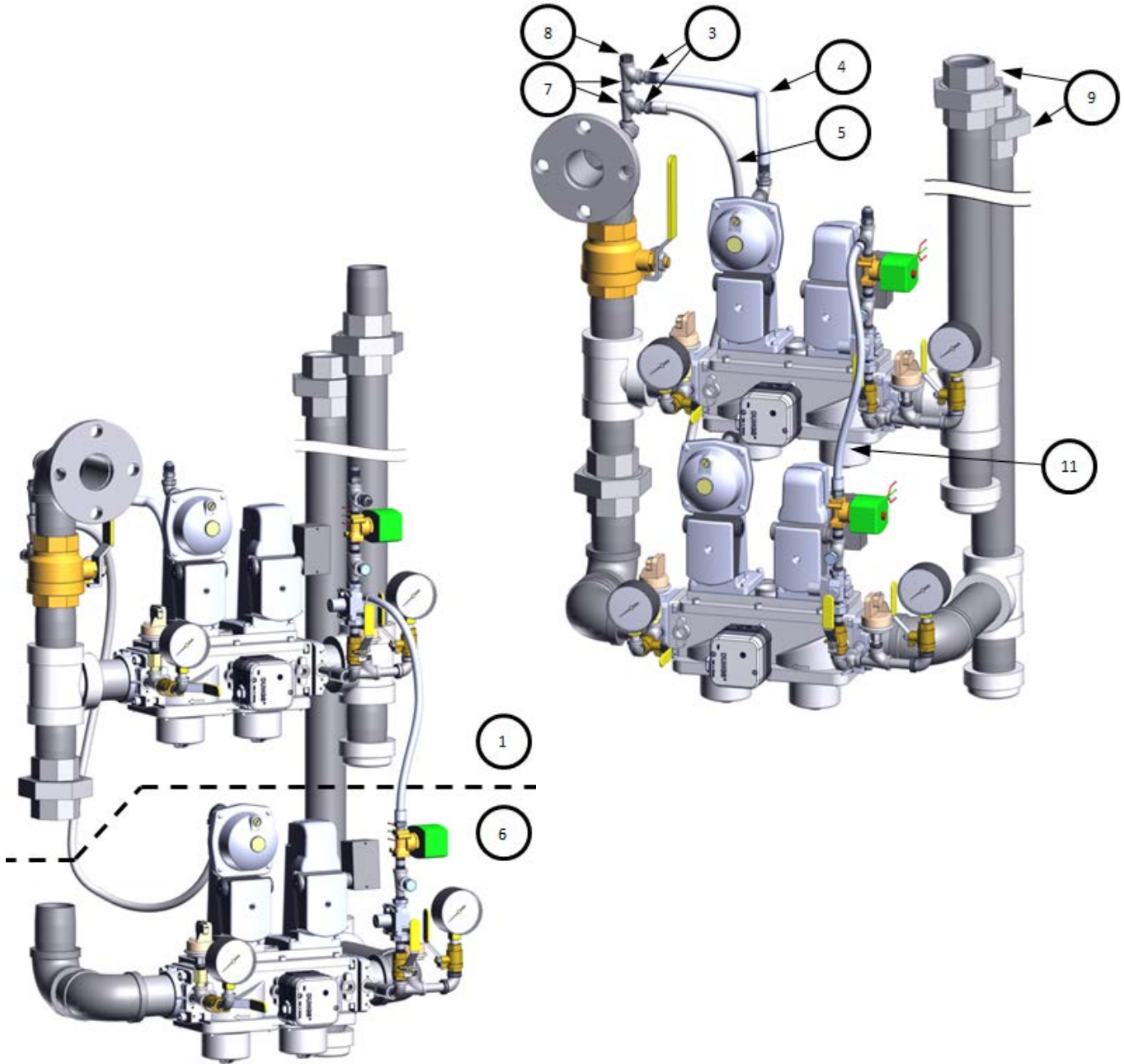


Figure M-1: Gas Train Schematic, P/N 22275-1 and P/N 22275-2

Benchmark 2500/3000 Dual Fuel & Propane Boilers

APPENDIX M – KOREAN GAS TRAINS

Benchmark 3000 Dual Fuel Gas Train (Korea) Part List – P/N 22275							
Item	Qty	P/N	Description	Item	Qty	P/N	Description
1	1	22275-1	GAS TRAIN DF: NAT GAS: KOREA	7	3	93290	TEE MXFXF BLACK IRON 1/4" NPT
2 *	2	124862	RESISTOR ASSY	8	2	9-22	PIPE PLUG: 1/4" NPT: STEEL
3	2	59228-1	MALE ADAPTER 3/8OD FLARE x 1/4 MPT	9	2	9-294	UNION: 2" NPT 300#
4	1	97087-12	FLEXIBLE HOSE: 12"	10 *	1	124149-3	WIRE ASSY: JUMPER O.T./PRESS. SWITCHES 24"
5	1	97087-36	FLEXIBLE HOSE: 36"	11	1	97087-18	FLEXIBLE HOSE: 18"
6	1	22275-2	GAS TRAIN DF PROPANE: KOREA				



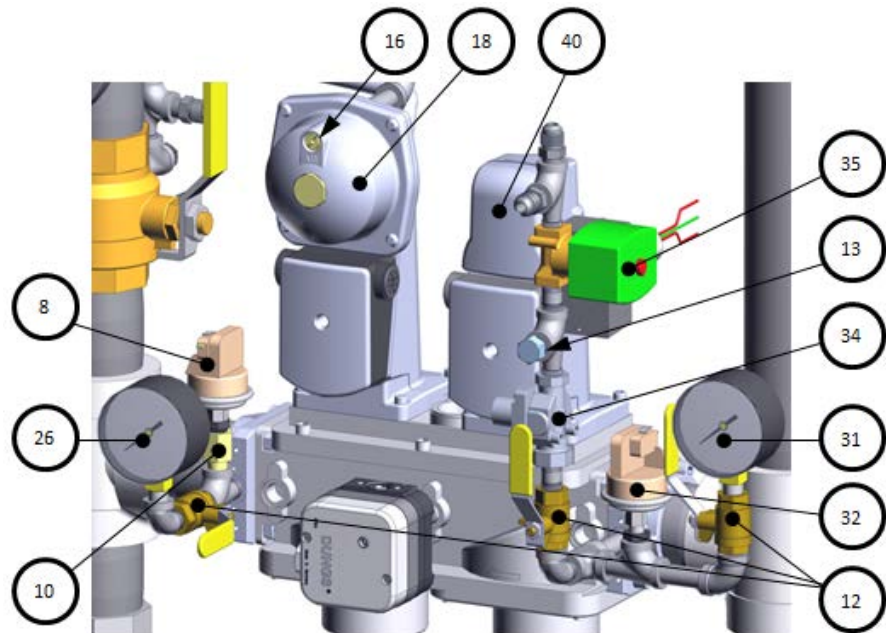
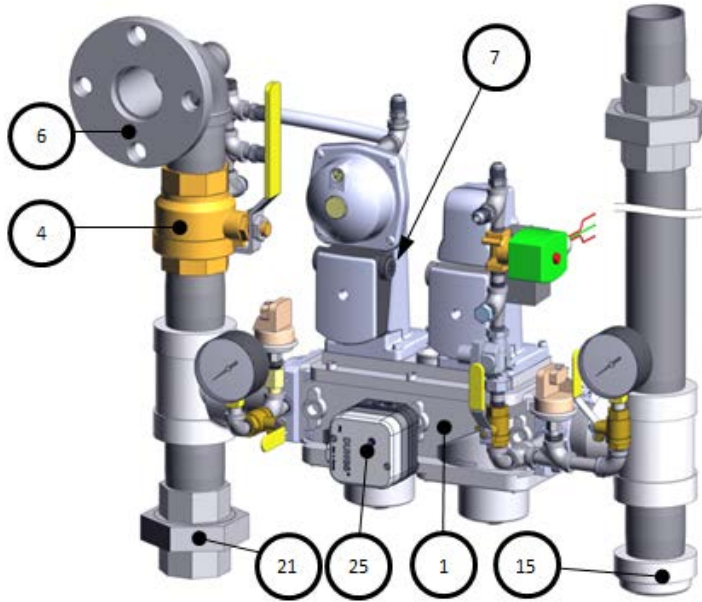
AERCO International, Inc. Blauvelt, NY 10913	Benchmark 3000 Dual Fuel Gas Train (Korea)	09/07/2015
	P/N 22275 rev A	Sheet 1 of 1

Benchmark 2500/3000 Dual Fuel & Propane Boilers

APPENDIX M – KOREAN GAS TRAINS

Benchmark 3000 DF NATURAL GAS Train (Korea) Part List – P/N 22275-1

Item	Qty	P/N	Description	Item	Qty	P/N	Description
1	1	124142	VALVE: SSOV: DOUBLE BODY: 2" NPT	18	1	69005	ACTUATOR: SSOV W/ REGULATOR
4	1	123540	VALVE: BALL 2" FULL PORT	21	1	9-294	UNION: 2" NPT 300#
6	1	123542	FLANGE 2" 125# 2"NPT	25	1	60020	SWITCH: GAS PRESSURE 2-20" W.C.
7	3	12951-2	BUSHING: CONTROL BOX	26	1	67006	GAGE: LOW PRESSURE 0-10 in./H2O
8	1	61002-20	PRESSURE SWITCH: 2.6" W.C. FALL N.O.	31	1	67007	GAGE: LOW PRESSURE 0-15 in./H2O
10	1	99017	SNUBBER: PRESSURE: 1/4"	32	1	61002-1	PRESSURE SWITCH: 2.6" W.C. FALL N.O.
12	3	92077	1/4" NPT MXF BRASS BALL VALVE (OPEN)	34	1	64083	GAS PRESSURE REGULATOR
13	1	9-22	PIPE PLUG: 1/4" NPT: STEEL	35	1	124866	SOLENOID VALVE: 1/4" NPT
16	1	99015	DAMPING ORIFICE: SSOV	40	1	124138	ACTUATOR, SSOV

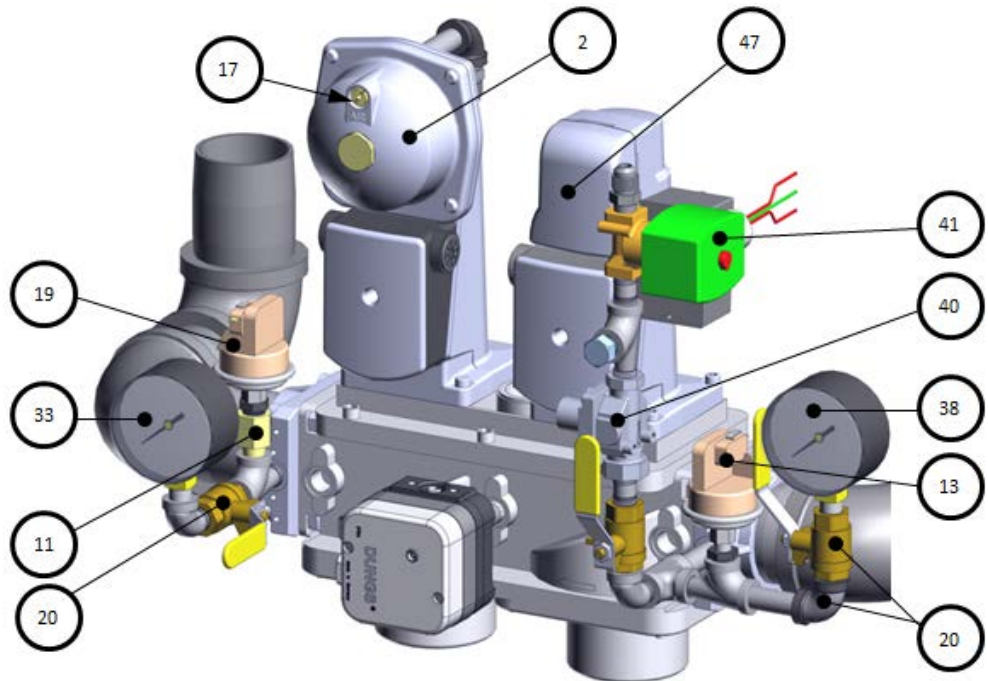
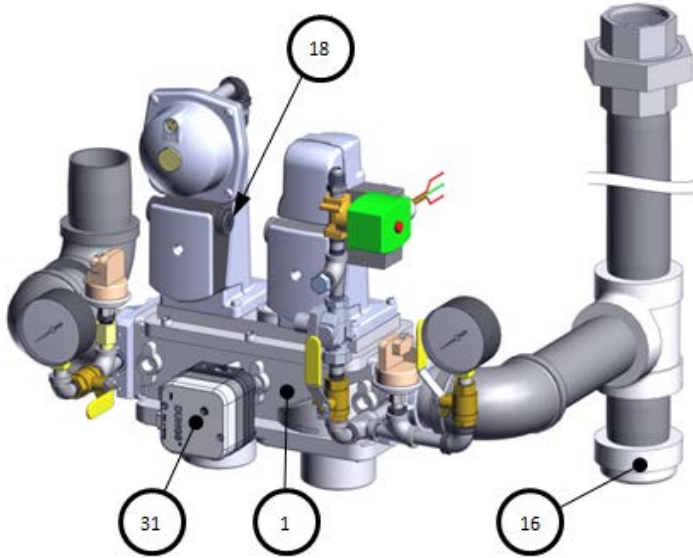


AERCO International, Inc. Blauvelt, NY 10913	Benchmark 3000 DF NATURAL GAS Train (Korea)	09/07/2015
	P/N 22275-1 rev A	Sheet 1 of 1

Benchmark 2500/3000 Dual Fuel & Propane Boilers

APPENDIX M – KOREAN GAS TRAINS

Benchmark 3000 DF PROPANE Gas Train (Korea) Part List – P/N 22275-2							
Item	Qty	P/N	Description	Item	Qty	P/N	Description
1	1	124142	VALVE: SSOV: DOUBLE BODY: 2" NPT	20	3	92077	1/4" NPT MXF BRASS BALL VALVE (OPEN)
2	1	69005	ACTUATOR: SSOV W/ REGULATOR	31	1	60020	SWITCH: GAS PRESSURE 2-20" W.C.
11	1	99017	SNUBBER: PRESSURE: 1/4"	33	1	67006	GAGE: LOW PRESSURE 0-10 in./H2O
13	1	61002-1	PRESSURE SWITCH: 2.6" W.C. FALL N.O.	38	1	67007	GAGE: LOW PRESSURE 0-15 in./H2O
16	1	93382	2" NPT CAP	40	1	64083	REGULATOR: GAS PRESSURE WITH VENT LIMITING ORIFICE
17	1	99015	DAMPING ORIFICE: SSOV	41	1	124866	SOLENOID VALVE: 1/4" NPT
18	3	12951-2	BUSHING: CONTROL BOX	47	1	124138	ACTUATOR, SSOV
19	1	61002-3	HIGH GAS PRESSURE SWITCH: 2.6" W.C.				



AERCO International, Inc. Blauvelt, NY 10913	Benchmark 3000 DF PROPANE Gas Train (Korea)	09/07/2015
	P/N 22275-2 rev A	Sheet 1 of 3

Benchmark 2500/3000 Dual Fuel & Propane Boilers

NOTES:

Benchmark 2500/3000 Dual Fuel & Propane Boilers

Change Log

Date	Description	Changed By
5/21/2014	Rev-A: Initial release.	Curtis Harvey
09/30/2015	<p>Rev B PIRs:</p> <p>979: Updated gas train drawings in Appendix I</p> <p>992-1: Replaced old style Condensate trap 20460 with new style, 24441 in section 7.7</p> <p>1011: Changed Blocked Inlet Switch pressure from -8.0 to -4.5 in Appendix A.</p> <p>1028: Replace fuel rod 66020 with 66034 (included in kit 24356-1).</p> <p>934-79: Warranty revision, dated 6/11/14, replaced "water heater" with "boiler."</p> <p>934-87: Updated graphic & instructions in section 2-10, updated tables 3-2, 3-3 and 3-4.</p> <p>934-99: Added new section 7.10 - LWCO Cap Test Instructions.</p> <p>1083: Added propane-only unit info, new gas train graphic, added new maintenance table, misc. format changes and corrections.</p> <p>1092: Removed Chapter 9 – RS232 Communication, per Firmware version 4.0 and above.</p> <p>1094: Replaced Tridicator P/N 69087-TAB with 123675-TAB.</p> <p>934-150: Clarified references to & function of spark monitor (p/n 61034) (or AC current transducer) in section 2.10.4, added new section 7.13 Spark Monitor</p> <p>934-155: Added Installation Notes regarding BST with ProtoNode SSD to new section 9.1.</p> <p>1152: Replace Thermowell 93359 with 58132</p> <p>DIR 225: Section 7.8, replaced "use WD_40" with "use K&N® Air Filter Oil (or equivalent). Do NOT use WD-40."</p>	Curtis Harvey & Chris Blair

