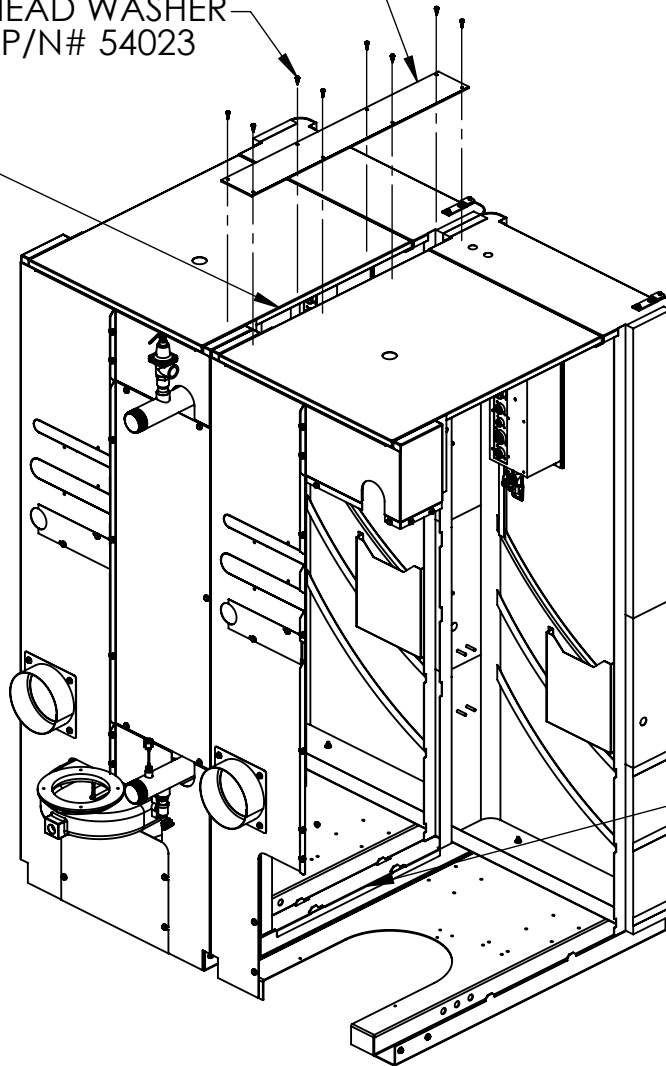


UPPER '0' SIDE CLEARANCE
BRACKET - P/N# 33163

8X #10-16 X .75 LG.
SELF-DRILLING HEX HEAD WASHER
SCREW OR EQUIV. - P/N# 54023

SEE NOTE



NOTE: BEFORE PLACING THE 2 UNITS SIDE-BY-SIDE
TOGETHER, REMOVE THE SIDE PANELS IN
BETWEEN FIRST.

LOWER '0' SIDE CLEARANCE
BRACKET - P/N# 33164

REAR VIEW

PARTS NOT SHOWN WERE REMOVED FOR CLARITY



A WATTS Brand

100 ORITANI DRIVE, BLAUVELT, NY 10913
aerco.com

ZERO SIDE CLEARANCE KIT- INSTALLATION

DWN.BY K.S. DATE 1/08/13
SCALE NTS SIZE A
CHKD. APPD.
REV. DATE 11/16/20

AP-A-914

REV.

B