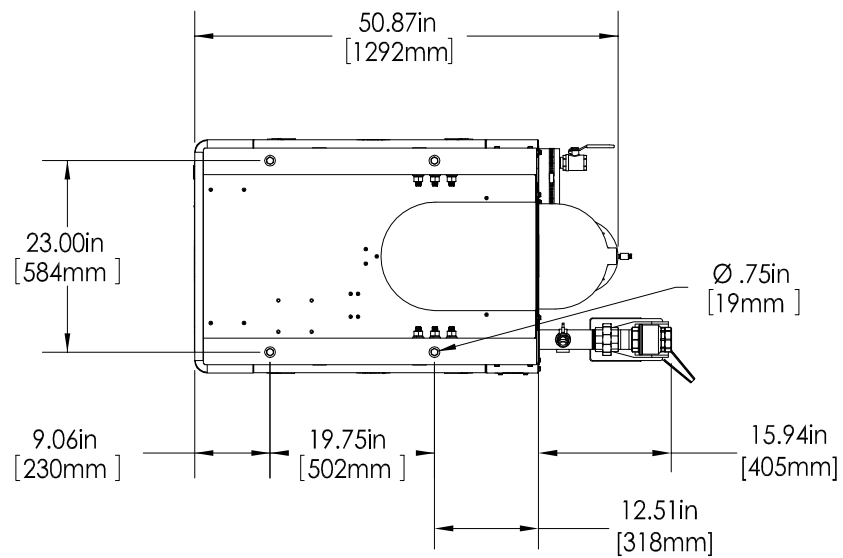
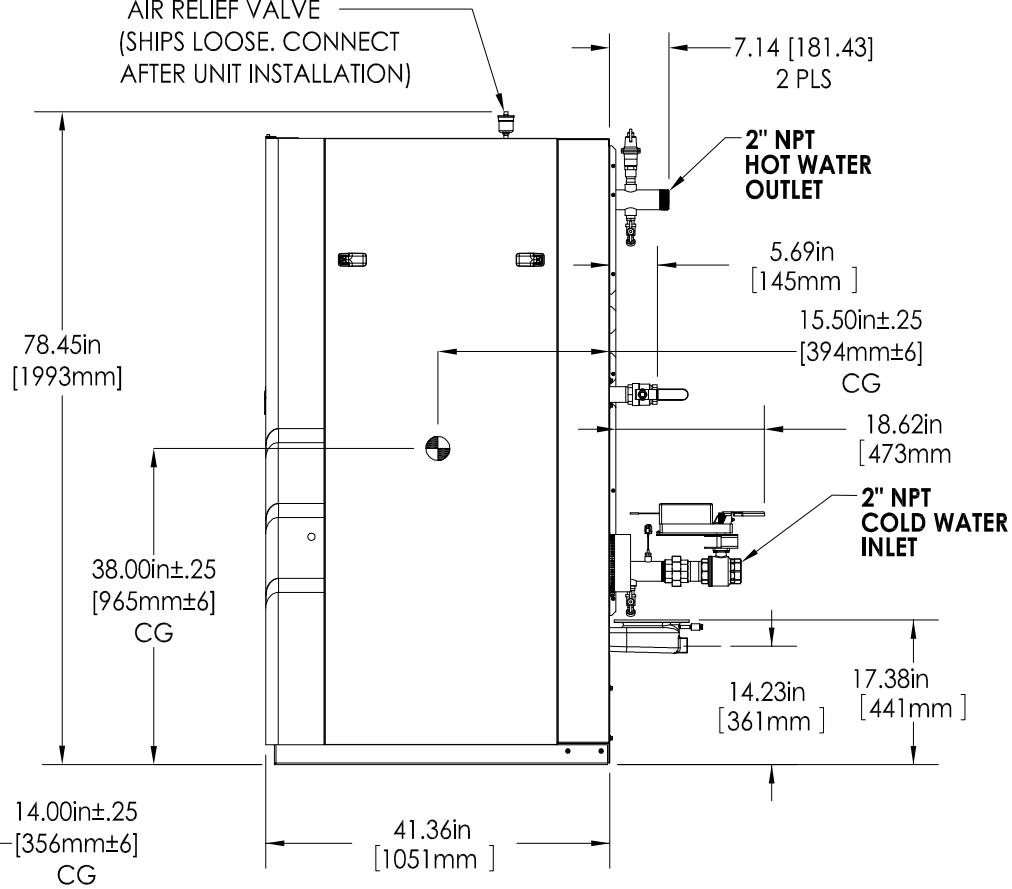
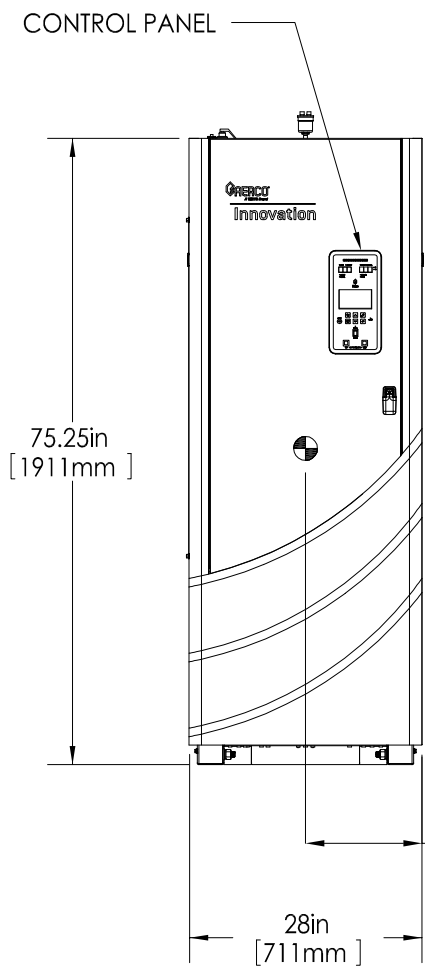
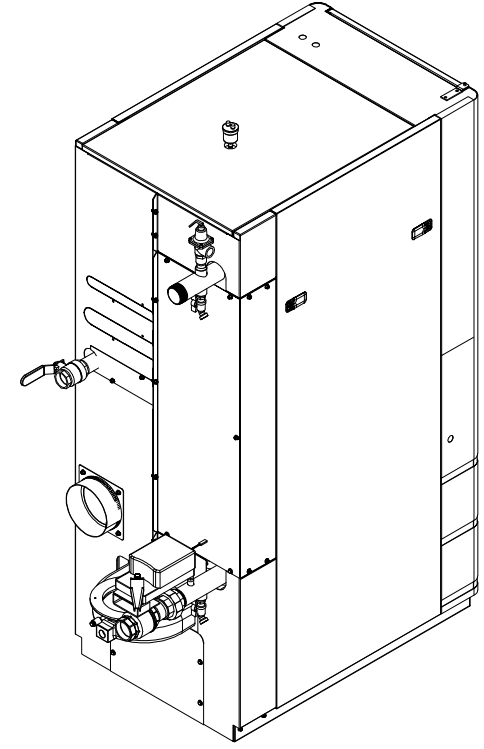
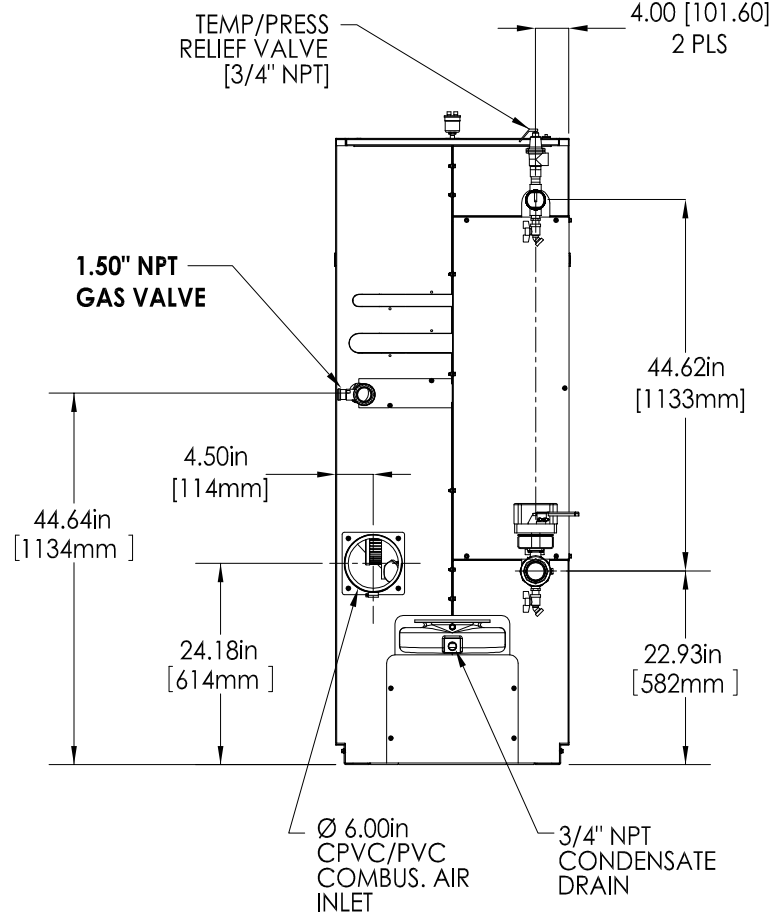


AC SERVICE CONN.  
3/4" CONDUIT  
120 VAC SINGLE PHASE  
20 AMP



HEAT EXCHANGER DESIGN STANDARDS			
MAX. WORKING PRESS. (PSIG)	MAXIMUM TEMP. (°F)	TEST PRESS. (PSIG)	HT'G SURFACE SQ.FT.
160	210	240	INN600N = 58 INN800N = 58 INN1060N = 67 INN1350N = 86
ASME B & PV CODE SECTION IV STAMP HLW			

MATERIALS OF CONSTRUCTION	
DOMED SHELL ASSEMBLY	SHELL: 3/16" THK, S.S. 2205/2101, SA-240 DISHED HEAD: 3/16" THK STAINLESS 316L, SA-240 SHELL FLANGE: 1/2" THK S.S. S32101/S32205, SA-240 [ALL PICKLED AND PASSIVATED]
COMBUSTION CHAMBER	HELICAL TUBES: STAINLESS 316L, SA-249 DOMED HEAD: STAINLESS TP316/316L, SA-240 TUBESHEET: STAINLESS 316, SA-240 CHAMBER TUBE: 1/4" WALL W. PIPE TP316L SA-312 [ALL ELECTROLESS NICKEL PLATED]



ALL DIMENSIONS ARE IN INCHES [mm]

**AERCO** A WATTS Brand 100 ORITANI DRIVE | BLAUVELT, NY 10913  
aerco.com

**INNOVATION 600N/800N/1060N/1350N  
GAS FIRED WATER HEATER WITH  
SEQUENCING VALVE DIMENSIONAL OUTLINE**

DWN.BY	K.S.	DATE	08/22/19	DWG. NO:	REV.
SCALE	NTS	SIZE	B	<b>AP-A-1054</b>	<b>A</b>
CHKD.		APPD.			
REV.BY		DATE			