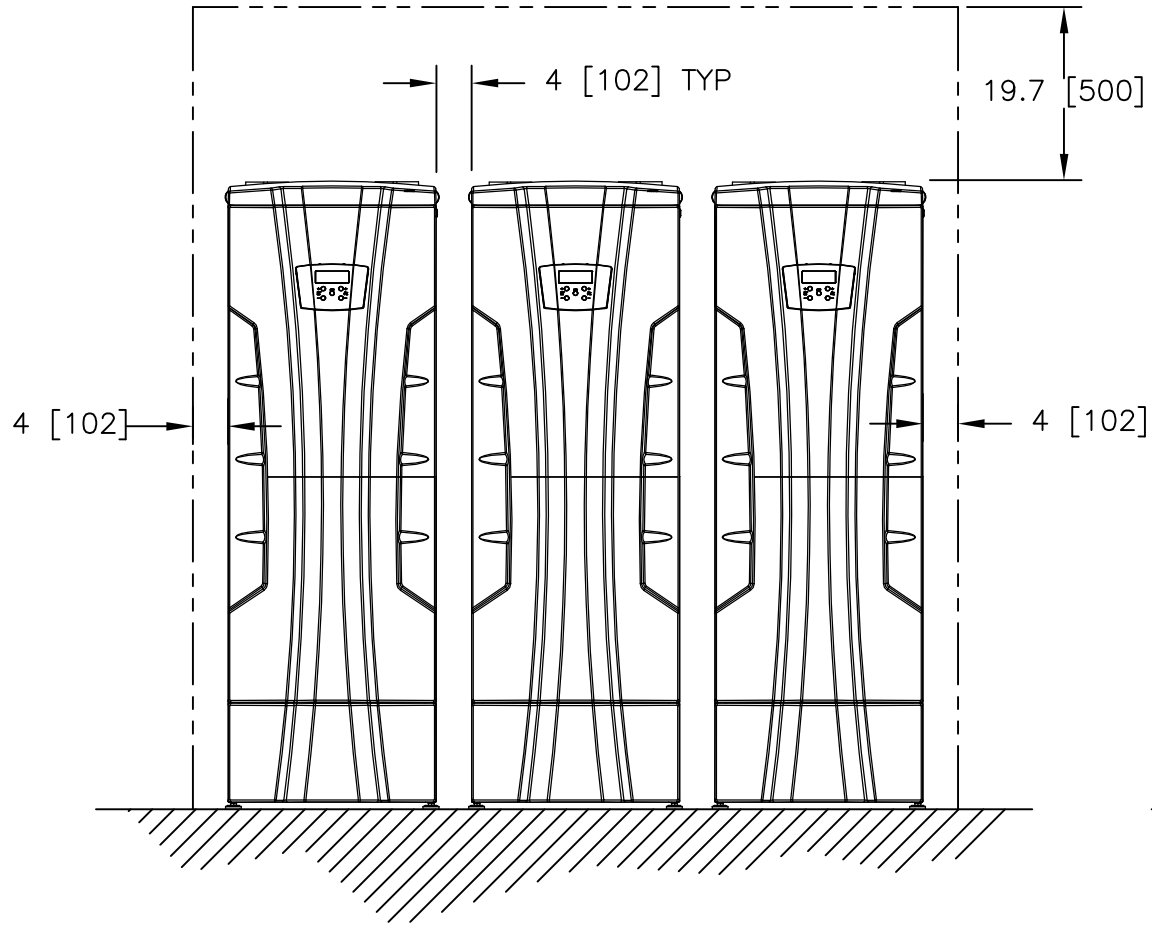
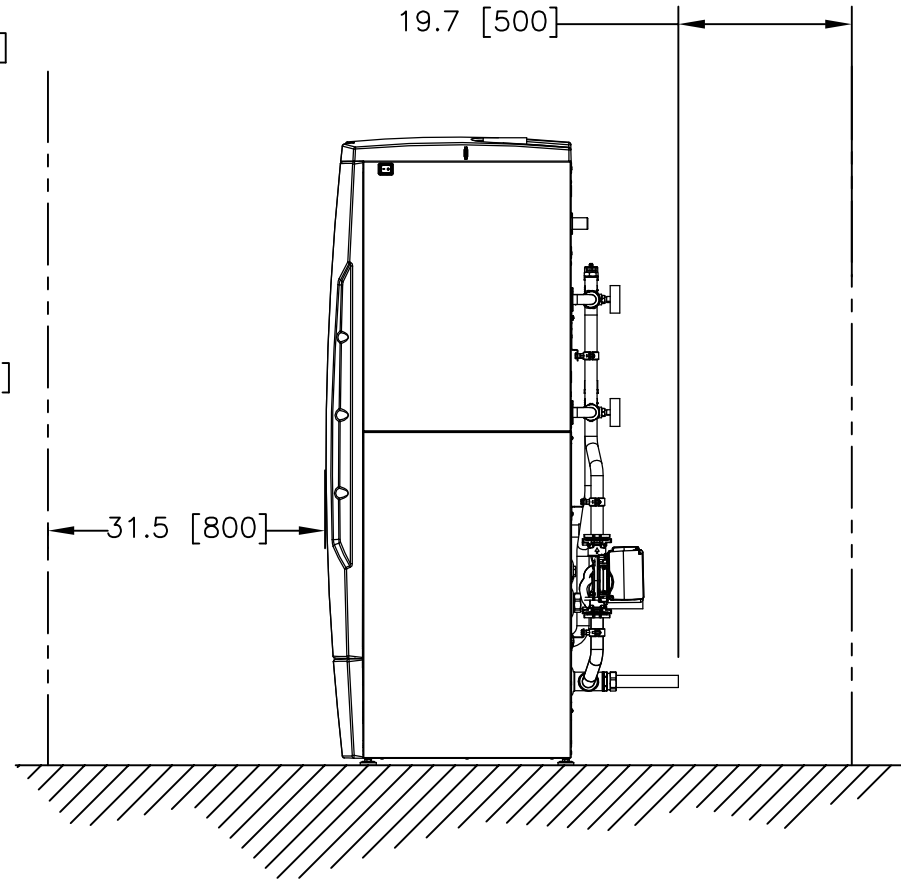


FRONT VIEW



SIDE VIEW



NOTES:

- 1) ALL DIMENSIONS SHOWN ARE IN INCHES (MILLIMETERS).
- 2) CLEARANCES SHOWN ARE RECOMMENDED SERVICE CLEARANCES, FOR SHORTER CLEARANCES CONTACT THE FACTORY

**AERCO** INTERNATIONAL, INC.  
Blauvelt, NY 10913

AMR MODELS 199-500 INTEGRATED STYLE  
MULTI UNIT INSTALLATION CLEARANCES

DWN.BY\_K.S. DATE 050615  
SCALE \_\_\_\_\_ SIZE A  
CHKD. \_\_\_\_\_ APPD. \_\_\_\_\_  
REV.DATE \_\_\_\_\_

AP-A-1018

REV.  
A