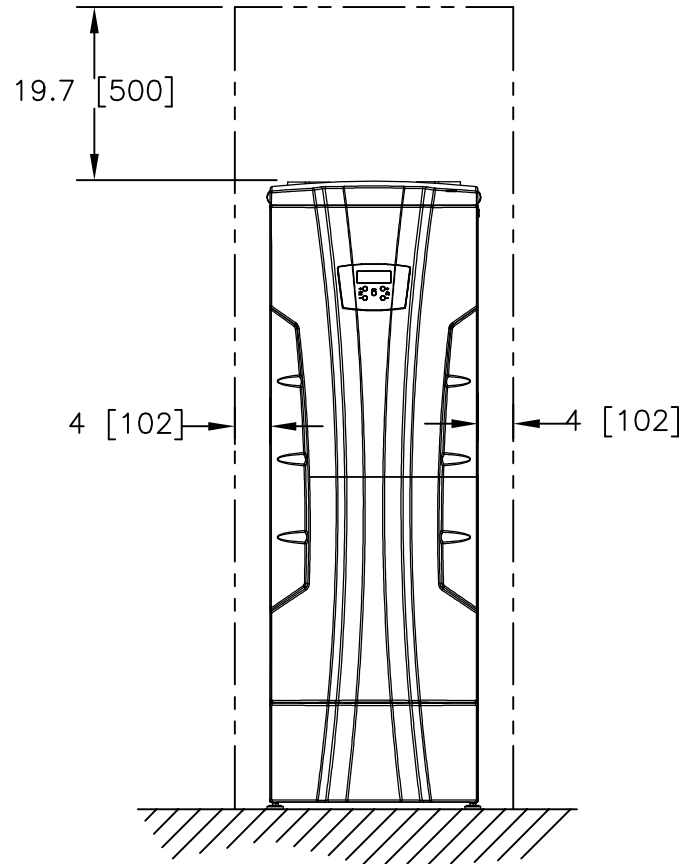
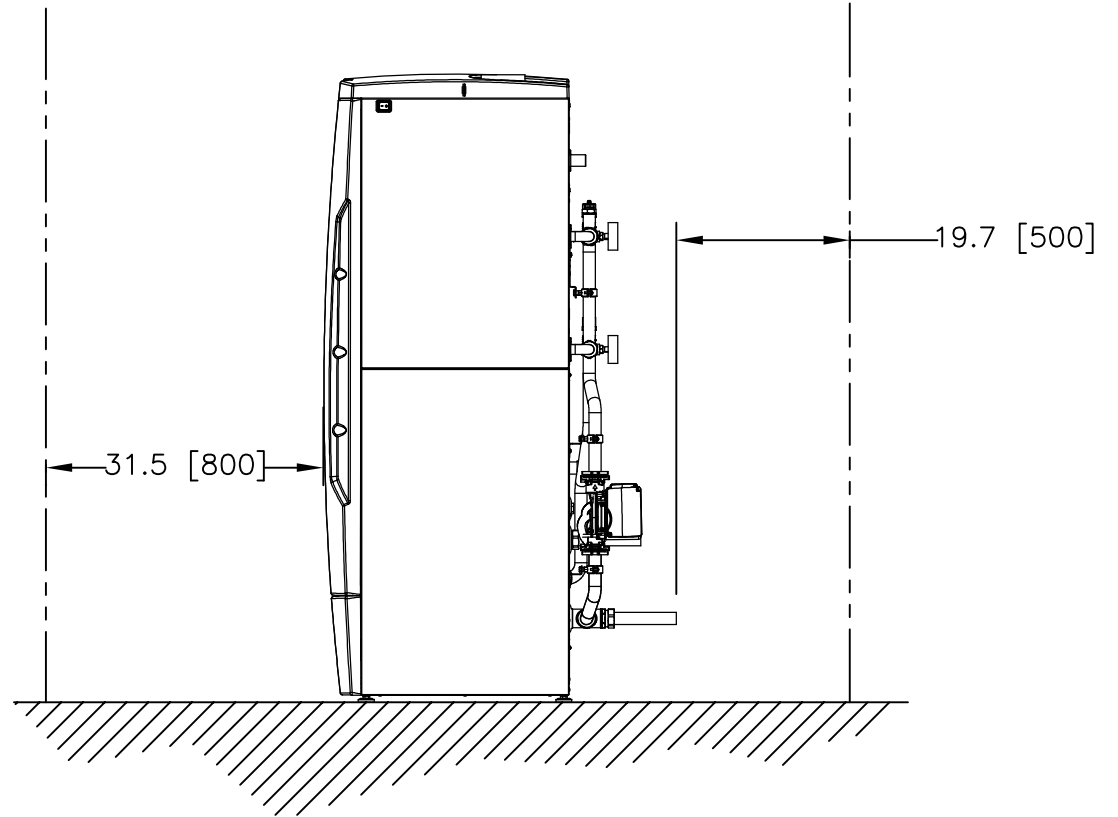


FRONT VIEW



SIDE VIEW



NOTES:

- 1) ALL DIMENSIONS SHOWN ARE IN INCHES (MILLIMETERS).
- 2) CLEARANCES SHOWN ARE RECOMMENDED SERVICE CLEARANCES, FOR SHORTER CLEARANCES CONTACT THE FACTORY

AERCO INTERNATIONAL, INC.
 Blauvelt, NY 10913

AM MODELS 199-500 INTEGRATED STYLE
 INSTALLATION CLEARANCES

DWN. BY K.S. DATE 050615
 SCALE _____ SIZE A
 CHKD. _____ APPD. _____
 REV. DATE _____

AP-A-1017

REV.
 A