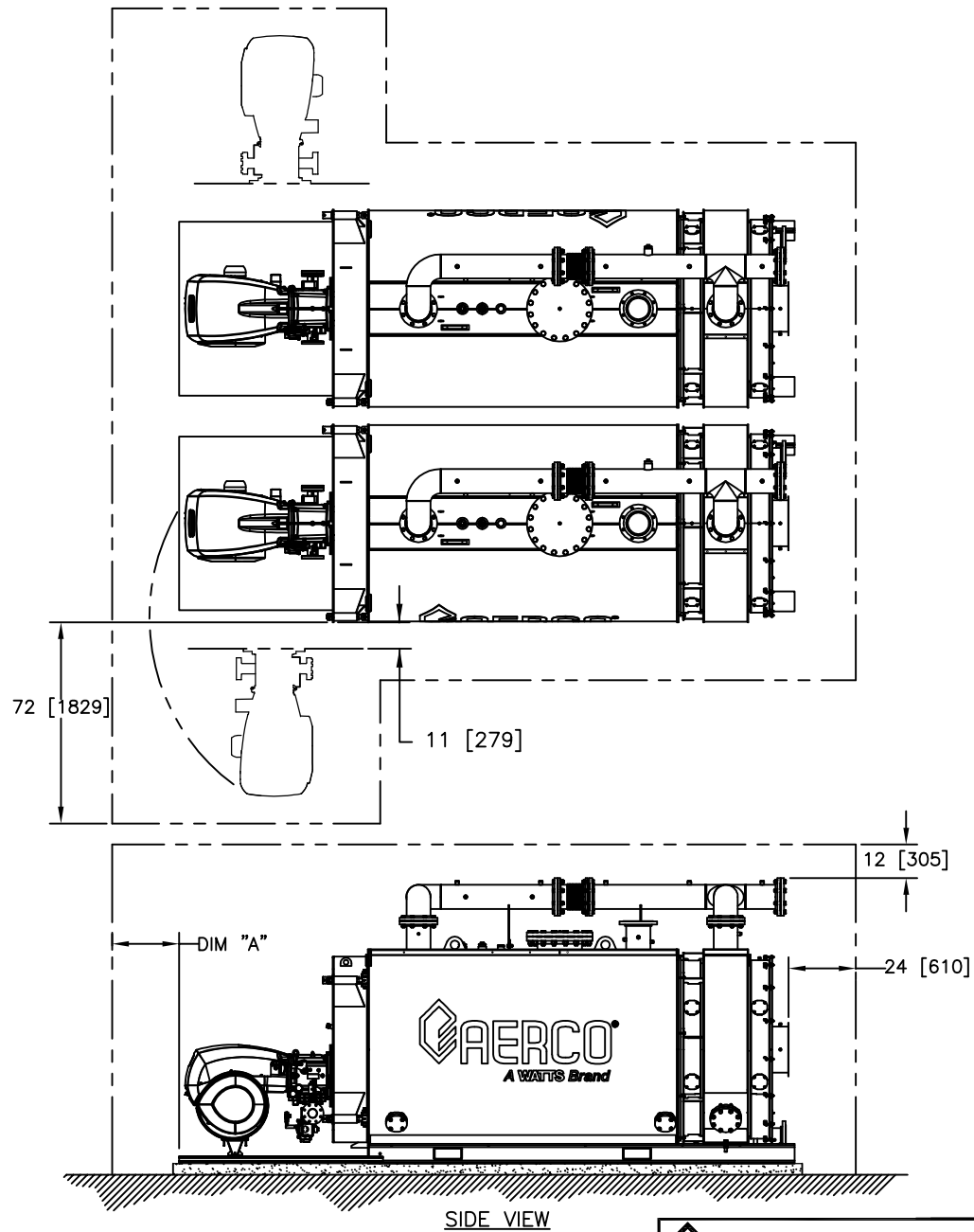
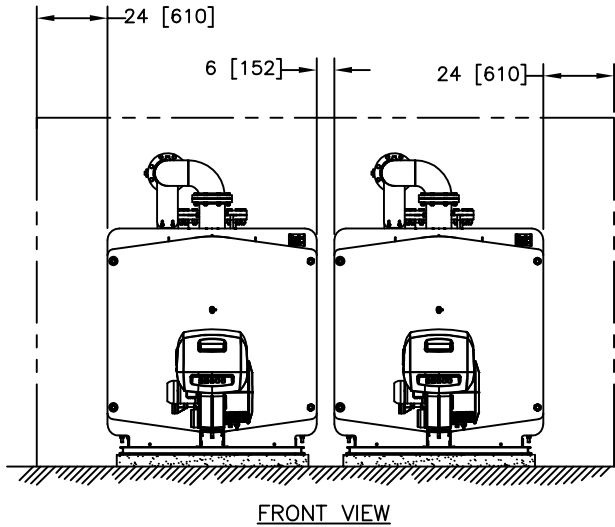


TUBE PULL CLEARANCE

MODEL UNIT	DIM "A"
MFC 3000	26.7 [67.7]
MFC 4000	24.0 [61.0]
MFC 5000	36.0 [91.4]
MFC 6000	37.5 [95.3]
MFC 8000	46.6 [118.4]
MFC 10000	67.2 [170.7]



NOTES:

1) ALL DIMENSIONS SHOWN ARE IN INCHES (MILLIMETERS).

	100 CRITANI DRIVE   BLAUVELT, NY 10913 aercocom	
	MFC SERIES MULTI UNIT INSTALLATION CLEARANCE	
DWN.BY. K.S. DATE 040715 SCALE _____ SIZE A CHKD. _____ APPD. _____ REV.DATE K.S. 100417	AP-A-1009	REV. D