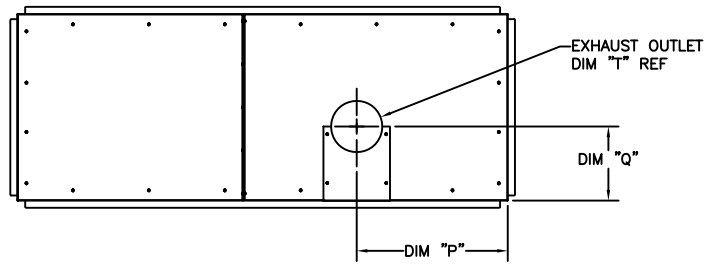
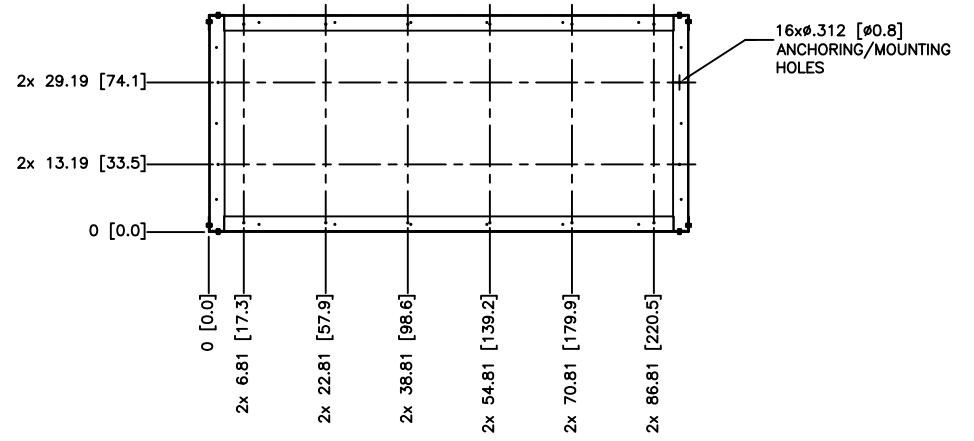


SECTION A-A

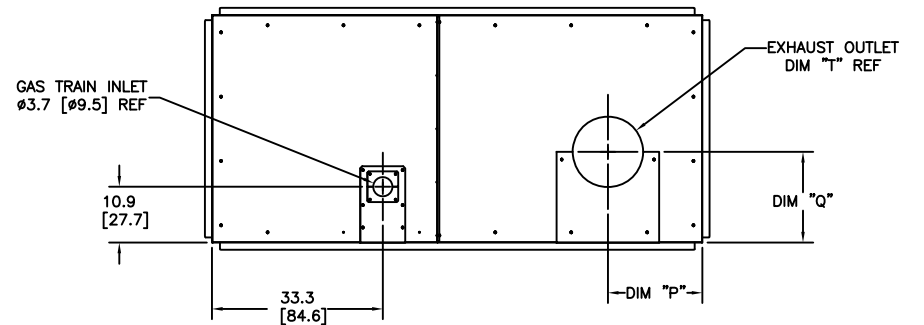


TOP VIEW

FOR BENCHMARK/BENCHMARK PLATINUM UNITS  
1500/2000/2500/3000



SECTION A-A



TOP VIEW

FOR BENCHMARK/BENCHMARK PLATINUM UNITS  
4000/5000N

**AERCO**  
A WATTS Brand

100 ORITANI DRIVE BLAUVELT, NY 10913  
aerco.com

BENCHMARK/BENCHMARK PLATINUM  
1500-5000N UNIT OUTDOOR ENCLOSURE  
DIMENSIONAL DRAWING

DWN.BY K.S. DATE 012022  
SCALE NTS SIZE \_\_\_\_\_  
CHKD. \_\_\_\_\_ APPD. \_\_\_\_\_  
REV. DATE \_\_\_\_\_

AP-A-1075  
SHEET 2 OF 2

REV.  
A