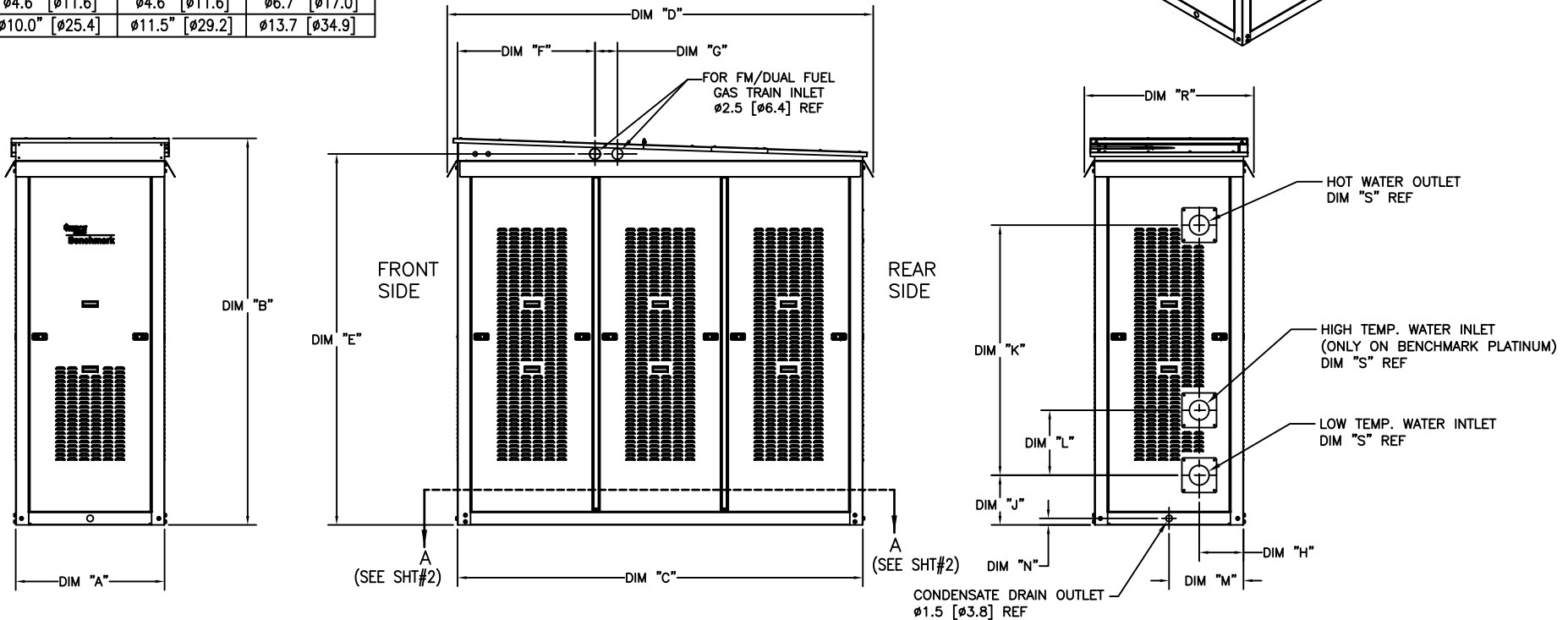
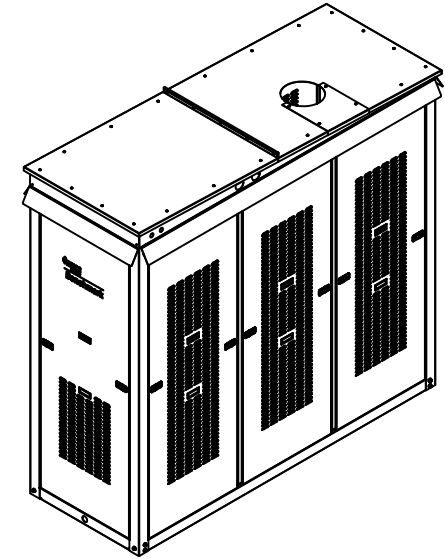


BENCHMARK/BENCHMARK PLATINUM UNITS

DIM. "X"	1500-2000	2500-3000	4000-5000N
A	34.3" [87.3]	34.3" [87.3]	42.3" [107.6]
B	89.3" [226.8]	89.3" [226.8]	89.3" [226.8]
C	93.6" [237.8]	93.6" [237.8]	93.6" [237.8]
D	98.4" [250.0]	98.4" [250.0]	98.4" [250.0]
E	85.6" [217.6]	85.6" [217.6]	85.6" [217.6]
F	31.7" [80.6]	31.7" [80.6]	31.7" [80.6]
G	5.2" [13.2]	5.2" [13.2]	5.2" [13.2]
H	10.2" [26.0]	8.7" [22.2]	10.2" [26.0]
J	11.5" [29.2]	11.5" [29.2]	12.4" [31.5]
K	57.7" [146.7]	57.7" [146.7]	56.2" [142.5]
L	15" [38.1]	15" [38.1]	15" [38.1]
M	17.2" [43.7]	17.2" [43.7]	21.2" [53.8]
N	1.5" [3.8]	1.5" [3.8]	1.5" [3.8]
P	29.4" [74.8]	27.4" [69.6]	18.4" [46.8]
Q	14.4" [36.7]	14.2" [36.0]	17.7" [44.9]
R	39.2" [99.5]	39.2" [99.5]	47.2" [119.8]
S (REF)	ø4.6" [ø11.6]	ø4.6" [ø11.6]	ø6.7" [ø17.0]
T (REF)	ø10.0" [ø25.4]	ø11.5" [ø29.2]	ø13.7" [ø34.9]



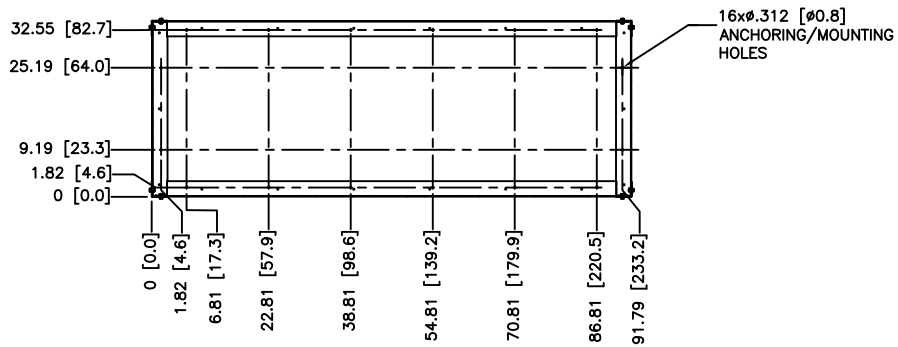
- NOTES:
- 1) ALL DIMENSIONS SHOWN ARE IN INCHES [CENTIMETERS].
 - 2) AERCO RESERVES THE RIGHT TO MODIFY DIMENSIONS WITHOUT PRIOR NOTICE.
 - 3) BENCHMARK OUTDOOR INSTALLATION TEMPERATURE RANGE: 40°F-110°F (4°C-43°C). IF THERE IS ANY RISK OF BRIEF FREEZING CONDITIONS, CONDENSATE LINES MUST BE HEAT TRACED AND BOILER FREEZE PROTECTION ENABLED.
 - 4) ENCLOSURE IS TO BE MOUNTED/ANCHORED ON BOILER HOUSEKEEPING PAD.
 - 5) SEE TID-0231 FOR INSTALLATION INSTRUCTIONS.

AERCO
A WATTS Brand

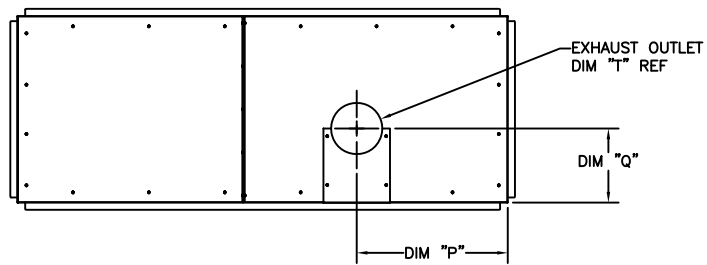
100 ORITANI DRIVE BLAUVELT, NY 10913
aerco.com

BENCHMARK/BENCHMARK PLATINUM
1500-5000N UNIT OUTDOOR ENCLOSURE
DIMENSIONAL DRAWING

DWN. BY <u>K.S.</u> DATE <u>012022</u>	AP-A-1075	REV. A
SCALE <u>NTS</u> SIZE _____		
CHKD. _____ APPD. _____	SHEET 1 OF 2	
REV. DATE _____		

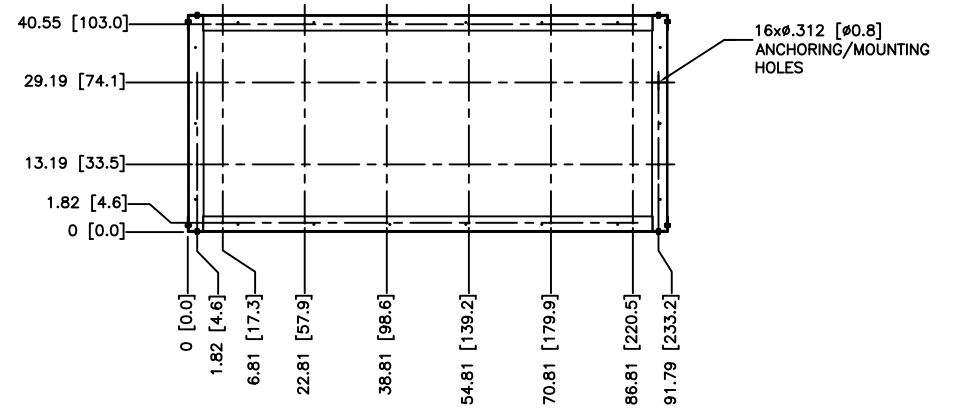


SECTION A-A

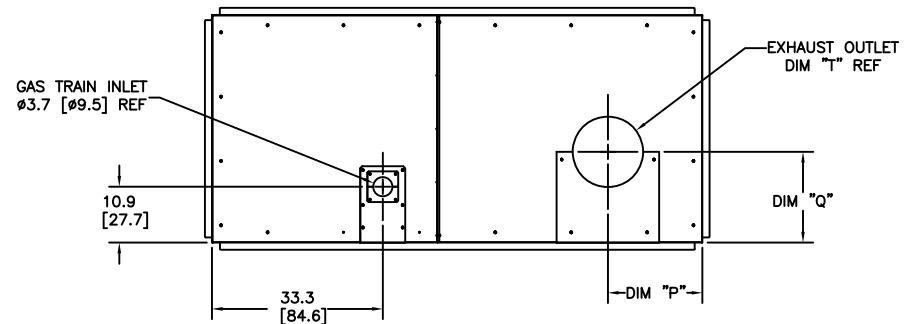


TOP VIEW

FOR BENCHMARK/BENCHMARK PLATINUM UNITS
1500/2000/2500/3000



SECTION A-A



TOP VIEW

FOR BENCHMARK/BENCHMARK PLATINUM UNITS
4000/5000N

AERCO 100 ORITANI DRIVE BLAUVELT, NY 10913
A WATTS Brand aerco.com

BENCHMARK/BENCHMARK PLATINUM
1500-5000N UNIT OUTDOOR ENCLOSURE
DIMENSIONAL DRAWING

DWN. BY <u>K.S.</u> DATE <u>012022</u>	AP-A-1075	REV. A
SCALE <u>NTS</u> SIZE _____		
CHKD. _____ APPD. _____	SHEET 2 OF 2	
REV. DATE _____		