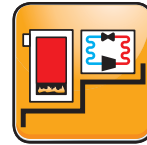


tekmar® Submittal

Boiler Control 268



C 268

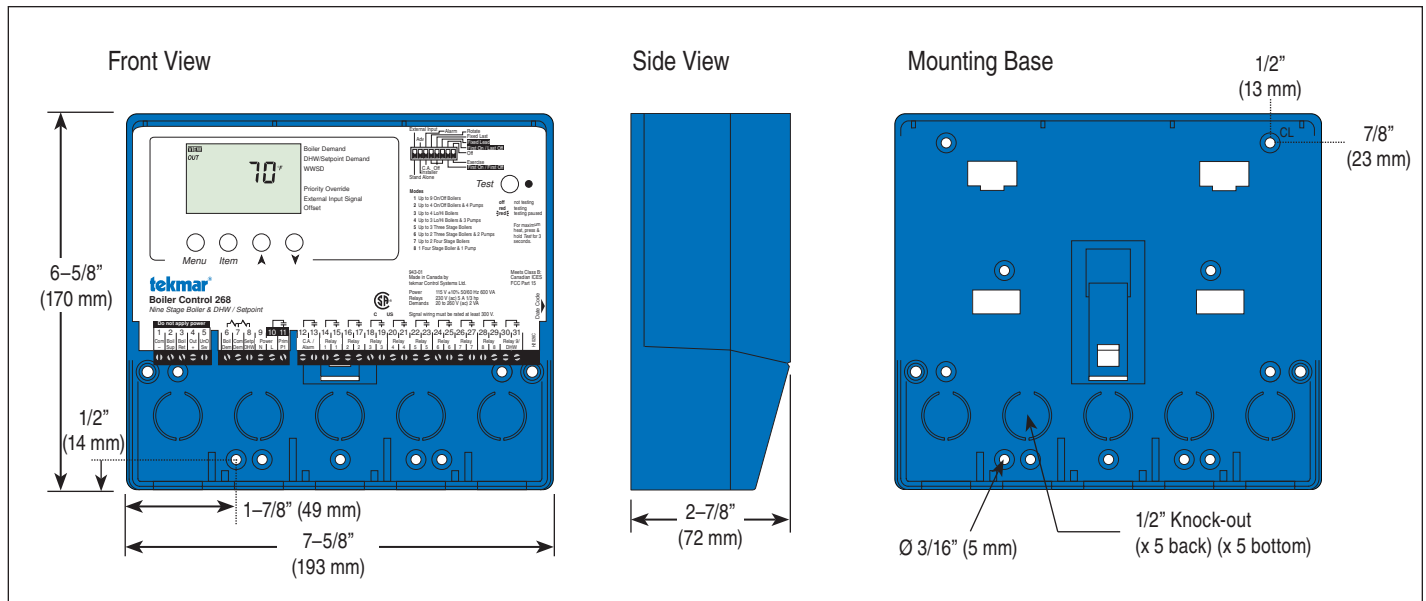
01/11

Multi-Staging

Replaces: New

Job _____ Designer _____ Contact _____

The Boiler Control 268 is designed to stage multiple boilers using Outdoor Temperature Reset. It can be used in applications ranging from baseboard or mixed radiant heating systems, to dedicated domestic hot water heating in commercial buildings. This control regulates a single heating water temperature through Outdoor Temperature and/or setpoint/DHW target control. It is capable of controlling (stage and rotate) up to 9 on/off boilers as well as the system pump.



Specifications

Boiler Control 268 <i>Nine Stage Boiler & DHW / Setpoint</i>	
Literature	D268, A268, D001, D070
Control	Microprocessor control. This is not a safety (limit) control
Packaged weight	3.3 lb. (1500 g)
Dimensions	6-5/8" H x 7-9/16" W x 2-13/16" D (170 x 193 x 72 mm)
Enclosure	Blue PVC plastic, NEMA type 1
Approvals	CSA C US, meets class B: ICES & FCC Part 15
Ambient conditions	Indoor use only, 32 to 122°F (0 to 50°C), RH ≤90% Non-condensing
Power supply	115 V (ac) ±10%, 50/60 Hz, 600 VA
Relay	230 V (ac) 5 A, 1/3 hp
Demands	20 to 260 V (ac) 2 VA
Sensors	NTC thermistor, 10 kΩ @ 77°F (25°C ±0.2°C) β=3892
-Included	Outdoor Sensor 070, 2 of Universal Sensor 082, and 500 Ω Resistor
-Optional	tekmar type #: 033
Warranty	Limited 3 Year (See D268 for full warranty)

Energy Saving Features

- Outdoor Temperature Reset
- Setback input for energy savings
- Warm Weather Shut Down
- Automatic Boiler Differential

Additional Features

- Control up to 9 On-Off boilers
- Equipment Exercising
- DHW pump or valve operation
- Optional DHW priority
- Equal Run Time Rotation
- Automatic Boiler Differential
- Quick setup for easy installation and programming of control
- User comfort adjustment to increase or decrease building space temperature
- Advanced settings to fine-tune building requirements
- Powered system pump output
- Test sequence to ensure proper component operation
- 120 V (ac) power supply
- Optional boiler pump(s) operation

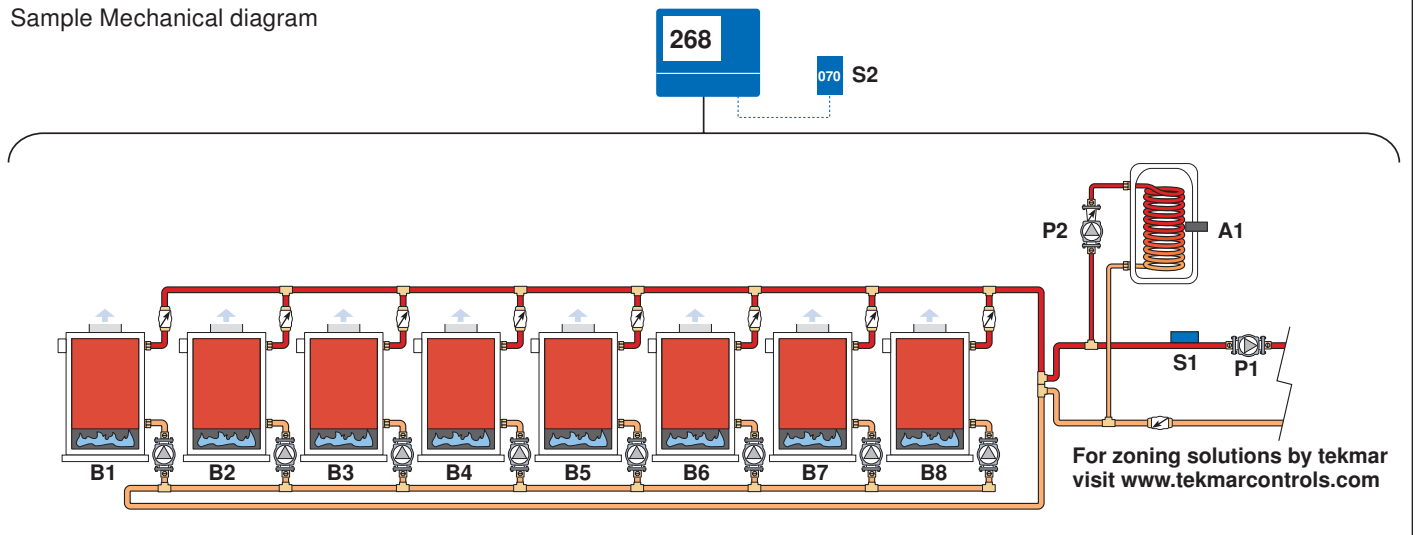
SPECIAL REQUIREMENTS

N / A

Sample Application Drawing

Below is a sample application drawing for this product. This application may include other tekmar products that are required for installation. More sample applications can be found at www.tekmarcontrols.com.

Sample Mechanical diagram

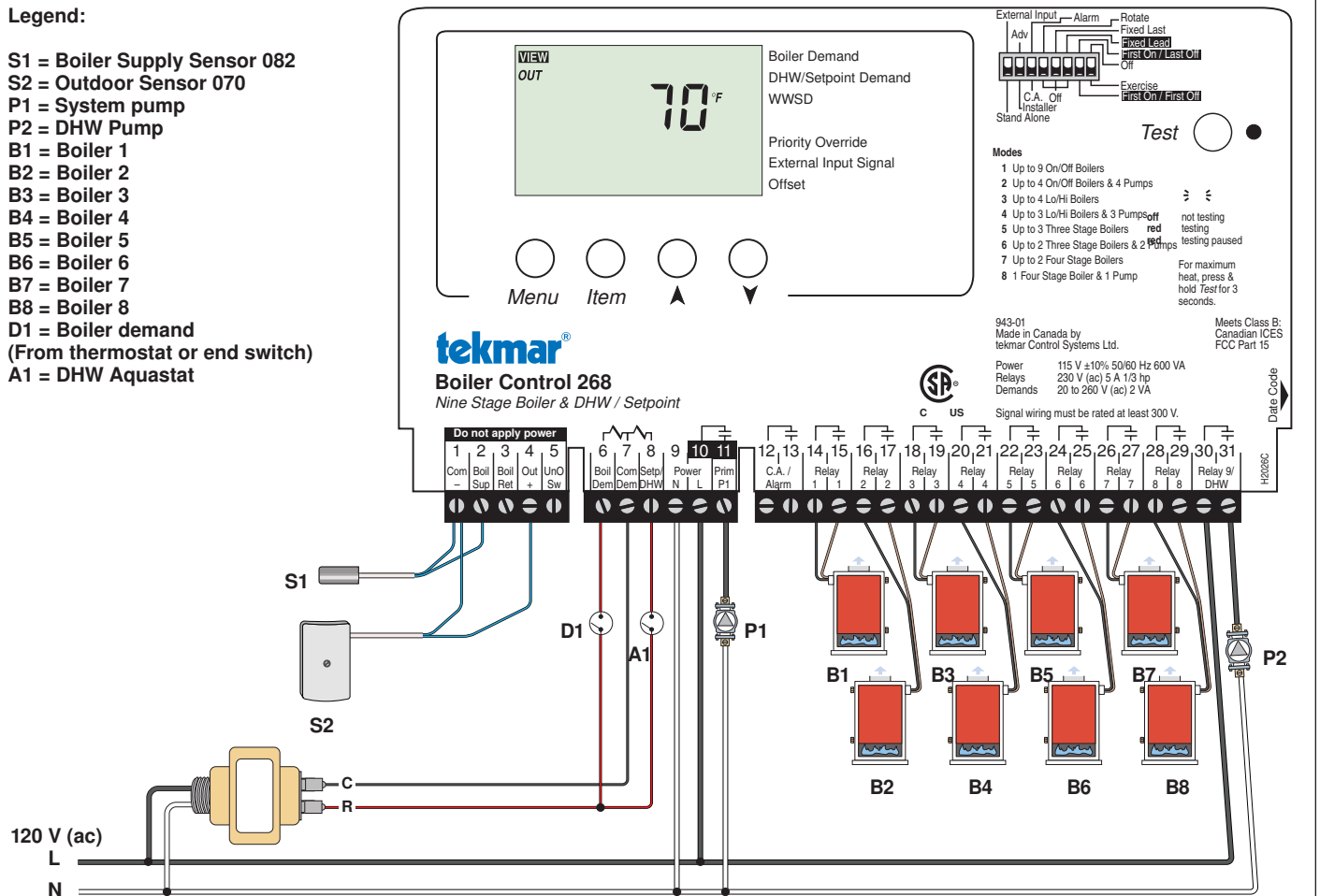


For zoning solutions by tekmar visit www.tekmarcontrols.com

Sample Electrical diagram

Legend:

- S1 = Boiler Supply Sensor 082
- S2 = Outdoor Sensor 070
- P1 = System pump
- P2 = DHW Pump
- B1 = Boiler 1
- B2 = Boiler 2
- B3 = Boiler 3
- B4 = Boiler 4
- B5 = Boiler 5
- B6 = Boiler 6
- B7 = Boiler 7
- B8 = Boiler 8
- D1 = Boiler demand (From thermostat or end switch)
- A1 = DHW Aquastat



tekmar Control Systems Ltd., Canada, tekmar Control Systems, Inc., U.S.A. Head Office: 5100 Silver Star Road, Vernon, B.C. Canada V1B 3K4, 250-545-7749, Fax. 250-545-0650 Web Site: www.tekmarcontrols.com

