

For Commercial Applications

Job Name _____
 Job Location _____
 Engineer _____
 Approval _____
 Tag _____

Contractor _____
 Approval _____
 Contractor's P.O. No. _____
 Representative _____

BFD-550

Specification

BLÜCHER BFD-550 AISI Type 304 stainless steel sanitary floor drain with 8"x8"(200x200) square top, elastomeric flange, 1/8"(3) grating (standard), and bottom outlet



BFD-550



BFD-550

Dimensions

Model No.	Global Part #	Pipe Size D	H	H1	H2
BFD-553	767.402.075	3"(75)	9 3/16"(234)	2 9/16"(65)	13/16"(20)
*BFD-554	767.402.110	4"(110)	9 5/8"(245)	3"(76)	13/16"(20)

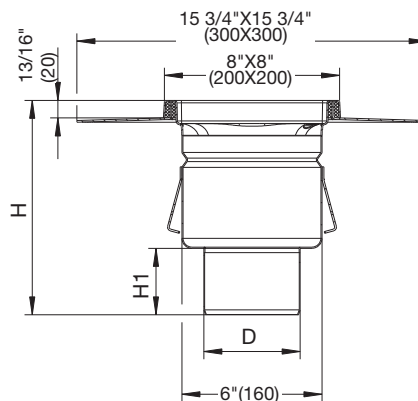
Optional Gratings (Select One)			
	Suffix	Description	
	-None	1/8" (Standard)	<input type="checkbox"/>
	-HG	Hygienic-Pro	<input type="checkbox"/>
	-LG	Ladder	<input type="checkbox"/>
	-MG	Mesh	<input type="checkbox"/>
	-SG	Slot	<input type="checkbox"/>

Please see ES-B-Commercial/Industrial Square Gratings for more information.

Suffix	Options (Select One Or More) Description	
-150	1/2 Grate (Standard Grating)	<input type="checkbox"/>
-175	3/4 Grate (Standard Grating)	<input type="checkbox"/>
-316	Type 316 Stainless Steel	<input type="checkbox"/>
-B	Sediment Basket	<input type="checkbox"/>
-P	Stainless Steel P-Trap	<input type="checkbox"/>
-SB	Sand Bucket	<input type="checkbox"/>
-TPT	Trap Primer Tapping	<input type="checkbox"/>
-VP	Grate Secured w/Vandal Proof Screws	<input type="checkbox"/>

NOTICE

The information contained herein is not intended to replace the full product installation and safety information available or the experience of a trained product installer. You are required to thoroughly read all installation instructions and product safety information before beginning the installation of this product.



Approvals



Compliance with NSF/ANSI/3-A 14159-1-Hygiene Requirements for the Design of Meat and Poultry Processing Equipment



* Product is certified to the uniform plumbing code ASME A112.6.3



A WATTS Brand