

Installation, Operation and Maintenance Manual

OneFlow[®] Anti-Scale System

Models OF110-1, OF120-2 and OF140-4 OneFlow[®] Anti-Scale Systems Chemical-Free, Salt-Free Scale Prevention

⚠ WARNING



Read this Manual **BEFORE** using this equipment.
Failure to read and follow all safety and use information can result in death, serious personal injury, property damage, or damage to the equipment.
Keep this Manual for future reference.

Introduction

The OneFlow[®] Anti-Scale System provides protection from scale formation on internal plumbing surfaces. OneFlow is the one water treatment device that effectively provides scale protection and is a great salt-free alternative to water softening (ion exchange) or scale sequestering chemicals.

OneFlow systems are built with the finest and most advanced materials. With proper installation and routine maintenance, you will have years of trouble-free operation.

Please refer to this manual when performing routine filter changes. The instructions make periodic maintenance quick and easy and ensure you will receive maximum benefit from your system.

System Specifications

Inlet/Outlet Connections: 1/2" and 3/4"

Flow Rates: Up to 4 gpm (15 lpm)

Gallon Rating: OF110-1, OF120-2, OF140-4: There is not a gallon capacity for OneFlow. These systems are designed to operate 24/7/365 for 1 year. Contaminants present in the water will gradually degrade the effectiveness of these cartridges. Change the cartridges at least once annually.

*The wetted surface of this product contacted by consumable water contains less than 0.25% of lead by weight.

⚠ WARNING

You are required to consult the local building and plumbing codes prior to installation. If the information in this manual is not consistent with local building or plumbing codes, the local codes should be followed. Inquire with governing authorities for additional local requirements.



OneFlow media is certified by WQA to NSF/ANSI/CAN Standard 61 and NSF/ANSI 372 for Lead Free compliance.

⚠ WARNING

Do not use with water that is microbiologically unsafe or of unknown quality without adequate disinfection before or after the system.

WATTS[®]

Feed Water Chemistry Requirements

pH	6.5-8.5
Hardness (maximum)	30 grains (513 ppm CaCO ₃) *
Water Pressure	15psi to 90psi (1.03 bar to 6.2 bar)
Temperature	40°F to 100°F (5°C to 38°C)
Free Chlorine	<2 ppm
Iron (maximum)	0.3 ppm **
Manganese (maximum)	0.05 ppm **
Copper (maximum)	1.3 ppm***
Oil & H ₂ S	Must be Removed Prior to OneFlow
Total Phosphates	<3.0 ppm
Silica (maximum)	20 ppm †
TDS	<1500 mg/L ††

NOTICE

Not for use on closed loop systems.

* Systems using OneFlow cartridge technology are effective at controlling lime-scale formation inside the plumbing system at influent hardness levels up to 30 grains per gallon (513 ppm) as calcium carbonate. Due to variances in water chemistry, 30 grains per gallon is a recommended hardness maximum due to potential aesthetic issues related to soft scale residue formation outside of the plumbing system. Testing should be performed to determine proper application where hardness levels exceed 30 grains per gallon.

**Just as with conventional water softening media, OneFlow media needs to be protected from excess levels of certain metals that can easily coat the active surface, reducing its effectiveness over time. Public water supplies rarely, if ever, present a problem, but if the water supply is from a private well, confirm that the levels of iron (Fe) and manganese (Mn) are less than 0.3 mg/L and 0.05 mg/L, respectively.

WARNING

***Pursuant to the EPA drinking water standards, the copper concentration permitted is up to 1.3 ppm. Typically originating from new copper plumbing, high levels of copper can foul OneFlow media. New Copper lines need to be passivated for a minimum of 4 weeks before placing unit into service. For applications with copper concentration greater than 1.3 ppm, please consult Watts Water Quality Technical Service. To further minimize any problem with excess copper, avoid applying excessive flux on the inner surfaces of the pipe and use a low-corrosivity water soluble flux listed under the ASTM B813 standard.

NOTICE

† OneFlow media does not reduce silica scaling. While silica tends to have a less significant effect on scale formation than other minerals, it can act as a binder that makes water spots and scale residue outside the plumbing system difficult to remove. This 20 ppm limitation is for aesthetic purposes.

†† All other contaminants must meet the requirements of the USEPA Safe Drinking Water Act. Specific Mineral and Metal MCL's, identified in Watts published Feed Water Chemistry Requirements, supersedes the USEPA SDWA.

Water known to have heavy loads of dirt and debris may require pre-filtration prior to OneFlow.

OneFlow systems are complete, self-contained, loaded with media, and ready to use. A simple inlet and outlet connection is all that is required for installation. Please review operating pressures, temperatures and water chemistry limitations to ensure compatibility.

WARNING

- Connect system to cold water supply only. Water temperature cannot exceed 100°F/37.8°C.
- System **must be** installed in a vertical, upright and level position.
- Do not apply any other antiscalants before or after OneFlow.

WARNING

Installation Precautions

- Do **NOT** install system on line pressure above 90psi.
- Do **NOT** install system on HOT water line. Failure to limit line temperature to 100°F/37.8°C may result in housing failure and damage.
- Do **NOT** install the system backwards with the feed water line connected to the outlet.
- Do **NOT** use liquid pipe compounds for fitting connections. USE two to three wraps of Teflon® tape.
- Do **NOT** solder plumbing connections attached to filter housing or inlet valve. Inlet valve and filter housing will be damaged by high temperature.
- Do **NOT** allow system to freeze. Turn off water supply to housing and drain housing if temperature falls below 32°F.
- Do **NOT** install system in direct sunlight or where system is exposed to harsh chemicals or may be subjected to being struck by moving equipment, carts, mops or any other item that may cause damage.
- **ALLOW** a minimum of 3" under the housing to allow for filter replacement.
- IF water hammer is evident, install water hammer arrestors before the OneFlow unit.
- Do **NOT** overtighten fitting connections into inlet valve or housing outlet.
- Always back-up valves and fittings with a wrench when installing a fitting to avoid turning the valve.
- Do **NOT** install the unit behind equipment where it may be difficult to access the system for filter replacement.

Position the OneFlow unit in a suitable location. The direction of flow through the OneFlow unit is always left to right; keep this in mind when determining installation location. Do NOT mount the OneFlow system near any source of heat. Also, do not mount the system above any device or area that would be adversely affected by water.

⚠ WARNING

Using OneFlow with Other Water Treatment Equipment

Due to the unique properties of OneFlow, there are some unique requirements for using OneFlow in conjunction with filtration or other forms of water treatment.

1. OneFlow must be the last stage in the treatment chain.

Do not install any filters after OneFlow or before any devices for which scale prevention is required. POU filters, e.g. carbon, RO or Ultraviolet (UV) are exempt from this requirement.

2. Do not apply any other antiscalants before or after OneFlow.
3. The addition of soaps, chemicals, or cleaners, before or after OneFlow treatment, may reverse its anti-scale treatment effects and/or create water with a heavy residue or spotting potential. Any adverse conditions caused by the addition of soaps, chemicals, or cleaners are the sole responsibility of the end user.
4. OneFlow is not a water softener and does not soften the water - Water treatment chemistry (e.g. antiscalants, sequestrants, soaps, chemicals or cleaners etc...) will most likely have to be changed to be compatible with OneFlow treated water.

Laundry and ware-washing chemistry will likewise require adjustments.

NOTICE

Spotting May Occur on External Plumbing Surfaces

OneFlow media systems perform best in single pass potable water applications with NO additional chemical additives. Depending on hardness, soft scale spotting may occur. Soft scale spots in most cases can be easily wiped down with a damp cloth and will not form hard scale deposits.

A Point of Use (POU) Water Softener should be used on mandatory spot-free applications (e.g. glass stemware, dishware).

Installation

1. Turn off all equipment to be fed by the OneFlow system, locate water supply shut off valve and turn OFF.
2. Determine if the water line has an existing water treatment system. If so, examine system for use of polyphosphate or other scale inhibitors. OneFlow will not be effective if used in conjunction with other scale inhibitors. Remove the scale inhibitors from the water line or discontinue installation.
3. Install a user supplied ball valve on the water supply side that will feed the water system.
4. Anchor the OneFlow system on a suitable mounting surface that can support the weight of the system while in operation. System must be vertical and upright.
5. Run a suitable line from the user supplied ball valve at the tap water source to the inlet ball valve on the left side of the OneFlow system. Use 2-3 wraps of Teflon® tape on the feed water connection and brace the inlet ball valve on the system with a wrench when connecting the feed water line.

NOTICE

DO NOT OVERTIGHTEN CONNECTION FITTING INTO BALL VALVE.

6. Select the appropriate size tubing for the equipment being fed and connect it to the outlet of the OneFlow system.

NOTICE

DO NOT connect the tubing to the equipment at this time. Prior to making connection to the equipment, this line will be used to facilitate flushing the system. As an option, a drain valve in a tee on the outlet side of the OneFlow system could be installed in the line to facilitate flushing when changing filters.

7. With OneFlow inlet valve closed, slowly open the ball valve at the tap water source. Check for leaks.
8. If a drain valve was not installed on the outlet side of the system, hold the tubing that will connect to equipment in a clean bucket or over sink or drain. Open the system inlet feed valve and allow water to flush through system for 2 minutes at the system's rated flow rate to allow air bubbles to escape.

NOTICE

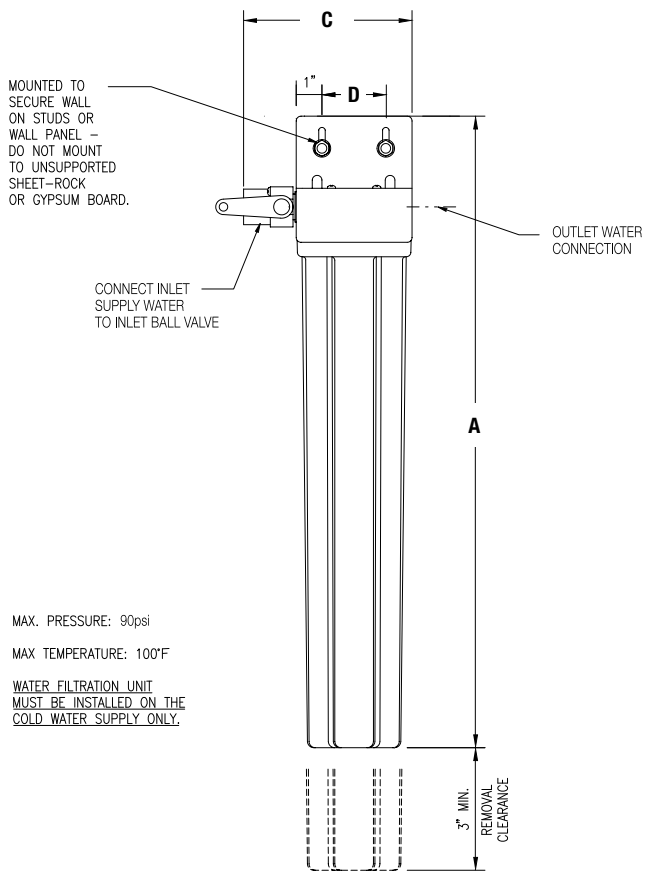
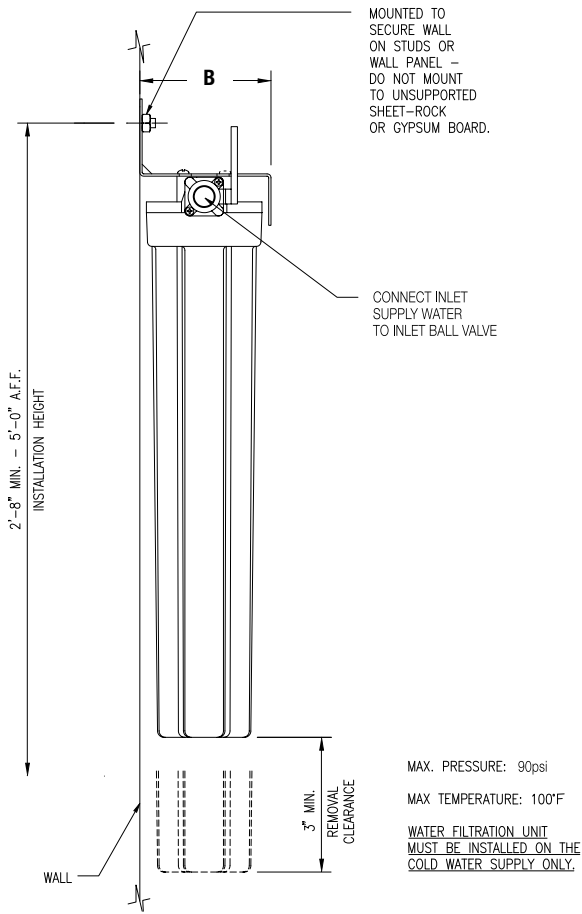
NO ACTIVATION IS REQUIRED FOR THE OneFlow system TO PERFORM PROPERLY. FLUSHING IS RECOMMENDED TO ALLOW AIR TO ESCAPE THE SYSTEM.

9. Make certain that the end of the tubing to be connected to the equipment is clean and sanitary.
10. Connect tubing to equipment. Open all water supply valves and check for leaks.
11. If no leaks, turn on equipment and check for normal operation.
12. Attach the Service Log to the installed OneFlow system and fill in install date.

The system is now ready for operation.

Teflon® is a registered trademark of The Chemours Company.

Installation Drawings & Dimensions



Dimensions

Model	Ordering Code	Dimensions							
		A		B		C		D	
		in.	cm	in.	cm	in.	cm	in.	cm
OF110-1	0002148	13½	34	5⅝	13	8	20	2½	6
OF120-2	0002149	12¾	32	5½	14	7¾	20	2½	6
OF140-4	0002150	28¾	71	8	20	9¾	25	5¾	15

The overall height and the height of the inlet fitting varies due to material variations and assembly tolerances. Please allow additional clearance above the filter for making connections.

Peak Flow Rates – Weights

Model	*Maximum Flow		Dry Weight		Service Weight	
OF110-1	1 gpm	3.8 lpm	5 lbs.	2.3 kgs.	8 lbs.	3.6 kgs.
OF120-2	2 gpm	7.6 lpm	8 lbs.	3.6 kgs.	15 lbs	6.8 kgs.
OF140-4	4 gpm	15.1 lpm	18 lbs.	8.2 kgs.	32 lbs.	15 kgs.

*Exceeding maximum flow can reduce effectiveness and void warranty.

Operation

With sufficient pressure, operation of the Watts® OneFlow system is completely automatic. Dependable operation involves only periodic filter changes and maintaining service documentation.

Maintenance

Routine maintenance of your OneFlow system involves periodic filter cartridge changes and/or replacement of sump O-rings. If the system sizing recommendations have been followed, the OneFlow Cartridge should last one year.

Filter Change Frequency

The filters should be changed in response to the following conditions.

Filter Cartridge Replacement Frequency

System Model Number	Replacement OneFlow Filter Cartridge Model Number	Replacement Frequency
OF110-1	OF110RM	Replace every 12 months
OF120-2	OF120RM	Replace every 12 months
OF140-4	OF140RM	Replace every 12 months

Replacement Filter Cartridges

OneFlow systems can only be used with OneFlow filter cartridges. Use of replacement cartridges other than those specified will void warranties, certifications and may compromise equipment protection, water quality and equipment life.

Filter Cartridge Replacement Procedure

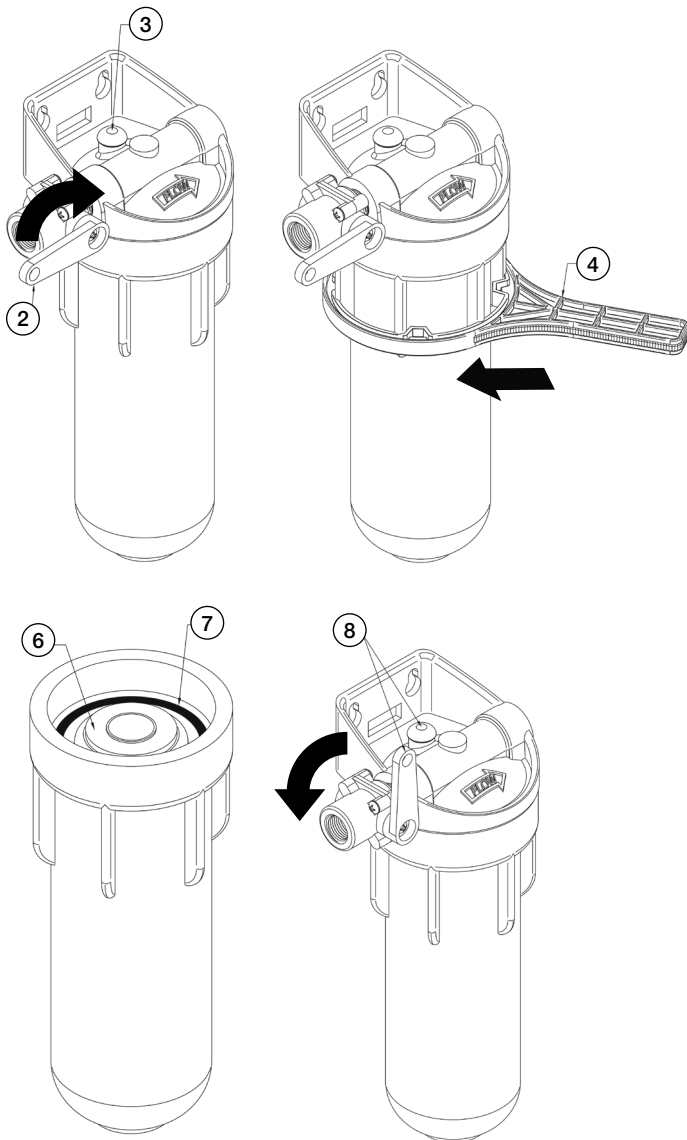
NOTICE

Determine whether all equipment connected to the OneFlow system must be turned off prior to shutting off water supply.

1. If required, turn off equipment.
2. Turn OFF water to OneFlow system by closing inlet ball valve.
3. Press the red pressure relief button on top of system until water stops flowing from button.
4. Remove housing – use filter wrench if necessary.
5. Clean inside of housing bowl with warm water. If desired, disinfect housing bowl using a teaspoon of household bleach. Add to housing bowl and fill with water. Let stand 5 minutes and then discard.
6. Insert new cartridges into filter housing bowl. Match cartridge model numbers to model numbers on bracket.
7. Make certain the O-ring is properly positioned and reinstall filter housings (hand tighten only). Check O-ring for damage and replace if damaged or distorted.
8. Slightly open the inlet ball valve and push the red pressure relief button to release trapped air in the system. Stop pressing the pressure relief button when a small amount of water comes out. Fully open the inlet ball valve.
9. Open the flush valve downline from the filter housing (if equipped) and flush the new cartridges to drain or bucket for two (2) minutes or until water runs clear. If no flush valve is present, disconnect line from equipment to flush to drain.

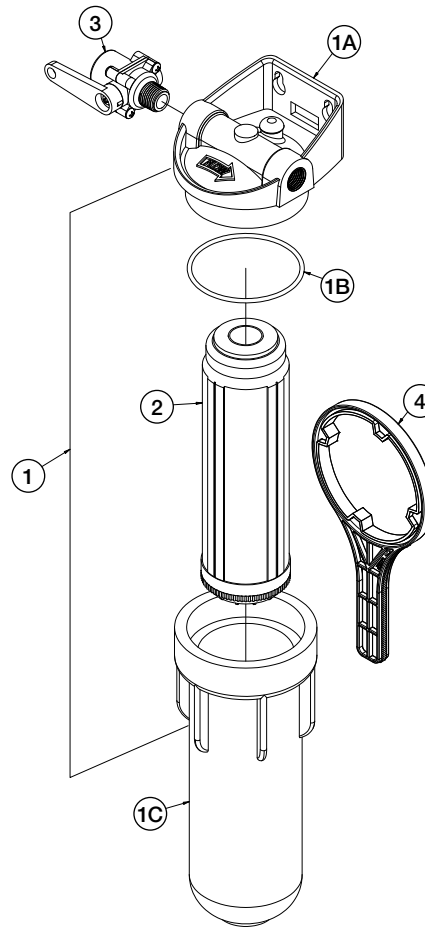
NOTICE

10. With water supply inlet valve OPEN and water flow confirmed, turn on connected equipment. Failure to supply water to equipment may cause serious damage.
11. Record filter change on the service log.



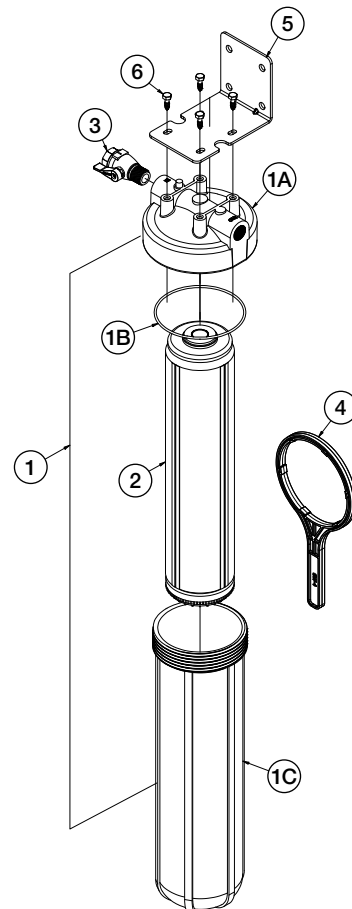
Replacement Parts for:
OneFlow OF110-1 & OF120-2

ITEM	QTY.	DESCRIPTION
1	1	Housing with Pressure Relief and O-ring
1A	1	Housing Lid
1B	1	O-Ring
1C	1	Housing Bowl
2	1	Replacement OneFlow Filter Cartridge
3	1	Inlet Ball Valve
4	1	Filter Housing Wrench



Replacement Parts for:
OneFlow OF140-4

ITEM	QTY.	DESCRIPTION
1	1	Housing with Pressure Relief and O-ring
1A	1	Housing Lid
1B	1	O-Ring
1C	1	Housing Bowl
2	1	Replacement OneFlow Filter Cartridge
3	1	Inlet Ball Valve
4	1	Filter Housing Wrench
5	1	Mounting Bracket
6	4	Lag Screw



Limited Warranty

- The OneFlow tank system is warranted to be free of defects in materials and workmanship for 5 years from the date of original shipment.
- The OneFlow media is warranted for performance for a period of 2 years from the date of the original installation when installed and operated in accordance with the instructions in the corresponding Installation and Operation Manual.

Watts Regulator Company warrants its OneFlow cartridge systems as follows:

- The OneFlow cartridge system is warranted to be free of defects in materials and workmanship for 1 year from the date of original shipment.
- OneFlow cartridges are warranted for performance for a period of one year from the date of original installation when installed and operated in accordance with the instructions in the corresponding Installation and Operation Manual.
- Carbon replacement filter cartridges are not warranted to perform for any period of time because the service life of replacement carbon filter cartridges varies significantly with local water conditions and volume.

Conditions

1. The OneFlow system must be installed in applications with municipally supplied water adhering to EPA guidelines.
2. Any component failure must not result from abuse, fire, freezing or other acts of nature, violence, or improper installation.
3. Equipment must be installed and operated in compliance with the local plumbing codes and on an approved water supply.
4. Equipment is limited to use at water pressures and temperatures that do not exceed our published specifications.
5. Water supply must not exceed 2.0 PPM chlorine. For water supply exceeding 2.0 PPM chlorine, pretreatment is required. (Please contact your water treatment specialist.)
6. Information, including model number, serial number, and date of installation, must be provided for any claims pertaining to equipment in warranty.
7. Defective parts are subject to inspection by either Watts Regulator Company or any authorized representative before final commitment of warranty adjustment is made.
8. Watts Regulator Company reserves the right to make changes or substitutions in parts or equipment with material of equal quality or value and of then current production.

Limitations

Our obligation under this warranty with respect to the tank or valve is limited to furnishing a replacement for, or at our option, repairing any part or parts to our satisfaction that prove defective within the warranty period stated above. Such replacement parts will be delivered to the owner F.O.B. nearest factory, at no cost, excluding freight and local labor charges, if any.

Our obligation under this warranty with respect to the OneFlow media will be limited to furnishing a replacement for the media within two years from date of original installation. Such replacement media will be delivered to the owner F.O.B. nearest factory, at no cost, excluding freight and local labor charges, if any. Damage to the media due to chlorine, other oxidizers or fouling caused by local water conditions or any other operation outside of the limits shown under Specifications, is not covered by this warranty.

THE WARRANTY SET FORTH HEREIN IS GIVEN EXPRESSLY AND IS THE ONLY WARRANTY GIVEN BY WATTS REGULATOR COMPANY WITH RESPECT TO THE PRODUCT. WATTS REGULATOR COMPANY MAKES NO OTHER WARRANTIES, EXPRESS OR IMPLIED. WATTS REGULATOR COMPANY HEREBY SPECIFICALLY DISCLAIMS ALL OTHER WARRANTIES, EXPRESS OR IMPLIED, INCLUDING BUT NOT LIMITED TO THE IMPLIED WARRANTIES OF MERCHANTABILITY AND FITNESS FOR A PARTICULAR PURPOSE.

The remedy described under this warranty shall constitute the sole and exclusive remedy for breach of warranty, and Watts Regulator Company shall not be responsible for any incidental, special or consequential damages, including without limitation, freight, handling, lost profits or the cost of repairing or replacing other property which is damaged if this product does not work properly, other costs resulting from labor charges, delays, vandalism, negligence, fouling caused by foreign material, damage from adverse water conditions, chemical, or any other circumstances over which Watts Regulator Company has no control. This warranty shall be invalidated by any abuse, misuse, misapplication or improper installation of the product.

Some states do not allow limitations on how long an implied warranty lasts, and some states do not allow the exclusion or limitation of incidental or consequential damages. Therefore the above limitations may not apply to you. This warranty gives you specific legal rights, and you may have other rights that vary from state to state. You should consult applicable state laws to determine your rights. SO FAR AS IS CONSISTENT WITH APPLICABLE STATE LAW, ANY IMPLIED WARRANTIES THAT MAY NOT BE DISCLAIMED, INCLUDING THE IMPLIED WARRANTIES OF MERCHANTABILITY AND FITNESS FOR A PARTICULAR PURPOSE, ARE LIMITED IN DURATION TO THE APPLICABLE WARRANTY PERIODS STATED ABOVE.



Manual de instalación, operación y mantenimiento

OneFlow[®] Anti-Scale System

Modelos OF110-1, OF120-2 y OF140-4 Sistemas antisarro OneFlow[®] Prevención del sarro sin sustancias químicas y sin sal

⚠ ADVERTENCIA



Lea este manual ANTES de utilizar el equipo.
Si no lee y respeta toda la información sobre seguridad y uso, las consecuencias pueden ser la muerte, lesiones graves, daños materiales o daños en el equipo.
Conserve este manual para consultarlo en el futuro.

Introducción

El sistema antisarro OneFlow[®] protege contra la formación de sarro en las superficies internas de las instalaciones de plomería. OneFlow es el único dispositivo de tratamiento de agua que proporciona protección eficaz contra el sarro y es una excelente alternativa sin sal para el ablandamiento del agua (por intercambio iónico) o productos químicos inhibidores de sarro.

Los sistemas OneFlow se fabrican con los materiales más finos y avanzados. Con una instalación adecuada y un mantenimiento de rutina, obtendrá años de funcionamiento sin problemas.

Consulte este manual cuando realice cambios de filtro de rutina. Las instrucciones facilitan y agilizan el mantenimiento periódico y se aseguran de que usted reciba el máximo beneficio de su sistema.

Especificaciones del sistema

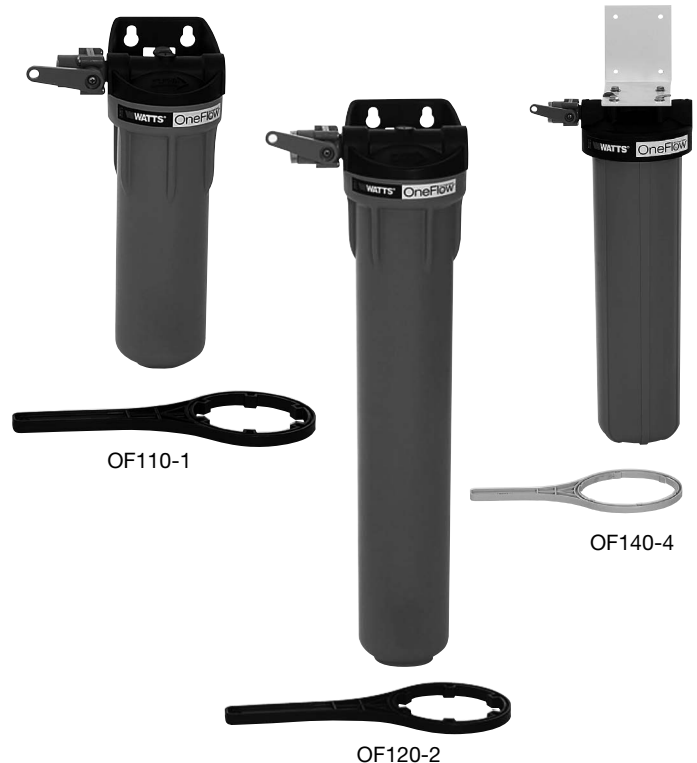
Conexiones de entrada/salida: 1/2 in (1.27 cm) y 3/4 in (1.91 cm)
Caudales: hasta 4 galones/minuto (15 l/min)

Capacidad de flujo en galones: OF110-1, OF120-2, OF140-4: No hay capacidad de galones para OneFlow. Estos sistemas están diseñados para funcionar las 24 horas del día, los siete días de la semana, los 365 días del año, durante 1 año. Los contaminantes presentes en el agua degradarán gradualmente la eficacia de estos cartuchos. Cambie los cartuchos al menos una vez al año.

*La superficie húmeda de este producto en contacto con agua potable tiene un contenido inferior al 0.25 % de plomo por peso.

⚠ ADVERTENCIA

Deberá consultar los códigos locales de construcción y plomería antes de instalar este producto. Si la información de este manual no coincide con los códigos locales de construcción o plomería, siga las pautas establecidas en dichos códigos. Consulte con las autoridades competentes sobre los requisitos locales adicionales.



Los medios filtrantes de OneFlow están certificados por WQA según la norma NSF/ANSI/CAN 61 y NSF/ANSI 372 en cuanto a cumplimiento sin plomo.

⚠ ADVERTENCIA

No lo utilice con agua microbiológicamente insegura o de calidad desconocida sin una desinfección adecuada antes o después del sistema.

WATTS[®]

Requisitos químicos del agua de alimentación

pH	6.5-8.5
Dureza (máxima)	30 granos (513 ppm CaCO ₃) *
Presión del agua	15 psi a 90 psi (1.03 bar a 6.2 bar)
Temperatura	40 °F a 100 °F (5 °C a 38 °C)
Cloro libre	<2 ppm
Hierro (máximo)	0.3 ppm **
Manganeso (máximo)	0.05 ppm **
Cobre (máximo)	1.3 ppm***
Aceite y H ₂ S	Deberán eliminarse antes de OneFlow
Fosfatos totales	<3.0 ppm
Sílice (máximo)	20 ppm †
TDS (sólidos disueltos totales)	<1500 mg/L ††

AVISO

No es apto para usarse en sistemas de circuito cerrado.

* Los sistemas que utilizan la tecnología de cartuchos OneFlow son efectivos para controlar la formación de sarro-cal dentro de las tuberías a niveles de dureza del afluyente de hasta 30 granos por galón (513 ppm) como carbonato de calcio. Dadas las variaciones en la química del agua, se recomienda una dureza máxima de 30 granos por galón debido a posibles problemas estéticos relacionados con la formación de residuos de plomería blandos por fuera del sistema de plomería. Deben realizarse pruebas para determinar la aplicación adecuada en la que los niveles de dureza exceden los 30 granos por galón.

**Al igual que con los medios suavizadores de agua convencionales, los medios de OneFlow® necesitan estar protegidos de los niveles excesivos de ciertos metales que pueden cubrir fácilmente la superficie activa y reducir su efectividad con el tiempo. El suministro público de agua potable raras veces, si acaso, presenta problemas, pero si el suministro de agua proviene de un pozo privado, confirme que los niveles de hierro (Fe) y manganeso (Mn) sean menores de 0.3 mg/l y 0.05 mg/l, respectivamente.

ADVERTENCIA

***De conformidad con las normas de agua potable de la EPA (Agencia de Protección Ambiental), la concentración permitida de cobre es de 1.3 ppm. Típicamente procedentes de nuevas tuberías de cobre, altos niveles de cobre pueden contaminar los medios OneFlow. Las líneas de cobre nuevas deben estar pasivadas durante un mínimo de 4 semanas antes de poner la unidad en servicio. Para aplicaciones con una concentración de cobre mayor a 1.3 ppm, comuníquese al Servicio Técnico de Calidad de Agua de Watts. Para minimizar aún más cualquier problema relacionado con exceso de cobre, evite aplicar exceso de fundente en las superficies internas de la tubería y use un fundente de baja corrosividad soluble en agua indicado en la norma ASTM B813.

AVISO

† Los medios de OneFlow® no disminuyen el sarro de sílice. Aunque la sílice tiende a tener un efecto menos significativo en la formación de sarro que otros minerales, puede actuar como aglutinante y hacer que las manchas de agua y los residuos de sarro sean difíciles de quitar del sistema de plomería. El límite de 20 ppm es para fines estéticos.

†† Todos los demás contaminantes deben cumplir los requisitos de la Ley de Agua Potable Segura de la USEPA (Agencia de Protección Ambiental de EE. UU.). Los MCL (niveles máximos de contaminantes) de minerales y de metal específicos, identificados en los requisitos químicos de agua de alimentación publicados de Watts, reemplazan la SDWA (Ley del Agua Potable Segura) de la USEPA.

Cuando se sepa que el agua tiene fuertes cantidades de suciedad y residuos, es posible que se requiera filtrarla antes de tratarla con OneFlow®.

Los sistemas OneFlow son completos, autónomos, cargados con medios y listos para usar. Una simple conexión de entrada y salida es todo lo que se requiere para la instalación. Revise las presiones de funcionamiento, las temperaturas y las limitaciones de la química del agua para garantizar la compatibilidad.

ADVERTENCIA

- Conecte el sistema únicamente al suministro de agua fría. La temperatura del agua no puede superar los 100 °F/37.8 °C.
- El sistema **deberá** instalarse en posición vertical, recta y nivelada.
- No aplique otros productos antisarro antes o después de OneFlow.

ADVERTENCIA

Precauciones en la instalación

- **NO** instale el sistema con una presión de la línea superior a 90 psi.
- **NO** instalar el sistema en la línea de agua CALIENTE. Si no se limita la temperatura de la línea a 100 °F/37.8 °C, se puede producir una falla y daños en la carcasa.
- **NO** instalar el sistema al revés con la tubería de agua de suministro conectada a la salida.
- **NO** utilizar compuestos líquidos para cañerías en las conexiones de instalación. UTILIZAR dos a tres vueltas de cinta de Teflon®.
- **NO** soldar conexiones de cañerías conectadas al alojamiento del filtro o a la válvula de entrada. La válvula de entrada y el alojamiento del filtro se dañarán debido a la alta temperatura.
- **NO** permitir que el sistema se congele. Cerrar el suministro de agua al alojamiento y drenar el alojamiento si la temperatura desciende por debajo de 32 °F.
- **NO** instalar el sistema bajo la luz directa del sol o donde quede expuesto a sustancias químicas agresivas o pueda recibir golpes por el movimiento de equipos, carros, mopas o cualquier otro elemento que pueda causar daños.
- **DEJAR** un mínimo de 3" debajo del alojamiento para que se pueda reemplazar el filtro.
- Si se observa un golpe de ariete, instalar dispositivos anti-golpe de ariete antes de la unidad.
- **NO** ajustar en exceso las conexiones de instalación en la válvula de entrada o la salida del alojamiento.
- Siempre retroceder las válvulas y accesorios con una llave al instalar un accesorio para evitar girar la válvula.
- **NO** instalar la unidad detrás de equipos de modo que se dificulte el acceso al sistema para el reemplazo del filtro.

Colocar la unidad OneFlow® en un lugar adecuado. La dirección del caudal que pasa por la unidad OneFlow® siempre es de izquierda a derecha. Tener en cuenta este factor al determinar el lugar de instalación. **NO** montar el sistema OneFlow® cerca de ninguna fuente de calor. Tampoco montar el sistema sobre dispositivos o zonas que puedan sufrir daños por los efectos del agua.

⚠ ADVERTENCIA

Uso de OneFlow con otros equipos de tratamiento de agua

Debido a las propiedades únicas de OneFlow, hay algunos requisitos únicos para usar OneFlow junto con la filtración u otras formas de tratamiento de agua.

1. OneFlow debe ser la última etapa en la cadena de tratamiento.

No instale ningún filtro después de OneFlow o antes de cualquier dispositivo para el cual se requiera la prevención de sarro. Los filtros POU, p. ej. de carbón, RO o ultravioleta (UV), están exentos de este requisito.

2. No aplique ningún otro producto antisarro antes o después de OneFlow.
3. Agregar jabones, productos químicos o limpiadores, antes o después del tratamiento OneFlow, puede revertir los efectos del tratamiento antisarro y/o generar agua con un residuo pesado o la posibilidad de manchas. Toda condición adversa provocada por agregar jabones, productos químicos o limpiadores es responsabilidad exclusiva del usuario final.
4. OneFlow no es un ablandador de agua y no ablanda el agua. La química del tratamiento de agua (es decir, antisarros, inhibidores, jabones, productos químicos o limpiadores etc.) muy probablemente tendrá que cambiarse para que sea compatible con el agua tratada con OneFlow.

Del mismo modo, la química de lavado de ropa y de lavado de trastes requerirá de ajustes.

AVISO

Pueden producirse manchas en las superficies de plomería externas

Los sistemas de medios filtrantes OneFlow funcionan mejor en aplicaciones de agua potable de una sola pasada SIN aditivos químicos adicionales. Dependiendo de la dureza, pueden producirse suaves manchas de depósitos de sarro. En la mayor parte de los casos, las manchas de depósitos de sarro suaves se pueden limpiar fácilmente con un paño húmedo y no formarán depósitos sólidos de sarro.

Se debe utilizar un ablandador de agua en el punto de uso (POU) en aplicaciones que requieren ausencia de manchas (por ejemplo, cristalería, vajilla).

Instalación

1. Apague todos los equipos que el sistema OneFlow vaya a alimentar, localice la válvula de cierre de suministro de agua y CIÉRRELA.
2. Determine si la línea de agua tiene un sistema de tratamiento de agua existente. De ser así, examine el sistema en busca del uso de polifosfato u otros inhibidores de sarro. OneFlow no será eficaz si se utiliza junto con otros inhibidores de sarro. Retire los inhibidores de sarro de la línea de agua o suspenda la instalación.
3. Instale una válvula de bola suministrada por el usuario en el lado de suministro de agua que alimentará el sistema de agua.
4. Fije el sistema OneFlow a una superficie de montaje adecuada que pueda soportar el peso del sistema durante el funcionamiento. El sistema debe ser vertical y recto.
5. Ejecute una línea adecuada desde la válvula de bola suministrada por el usuario en la fuente de agua del grifo hasta la válvula de bola de entrada en lado izquierdo del sistema OneFlow. Utilice 2 o 3 vueltas de cinta Teflon® en la conexión de agua de alimentación y sujete la válvula de bola de entrada en el sistema con una llave al conectar la línea de agua de alimentación.

AVISO

NO APRIETE DEMASIADO LA CONEXIÓN EN LA VÁLVULA DE BOLA.

6. Seleccione el tubo de tamaño adecuado para el equipo que se está alimentando y conéctelo a la salida del sistema OneFlow.

AVISO

NO conecte la tubería al equipo en este momento. Antes de conectar al equipo, esta línea se utilizará para facilitar el lavado del sistema. Como opción, se podría instalar una válvula de drenaje en una T en el lado de salida del sistema OneFlow en la línea para facilitar el lavado al cambiar los filtros.

7. Con la válvula de entrada OneFlow cerrada, abra lentamente la válvula de bola en la fuente de agua del grifo. Revise si hay fugas.
8. Si no se instaló una válvula de drenaje del lado de la salida del sistema, sostenga la tubería que se conectará al equipo en una cubeta limpia o sobre el fregadero o el drenaje. Abra la válvula de alimentación de entrada del sistema y deje que el agua fluya a través del sistema durante 2 minutos al caudal nominal del sistema para permitir que las burbujas de aire se escapen.

AVISO

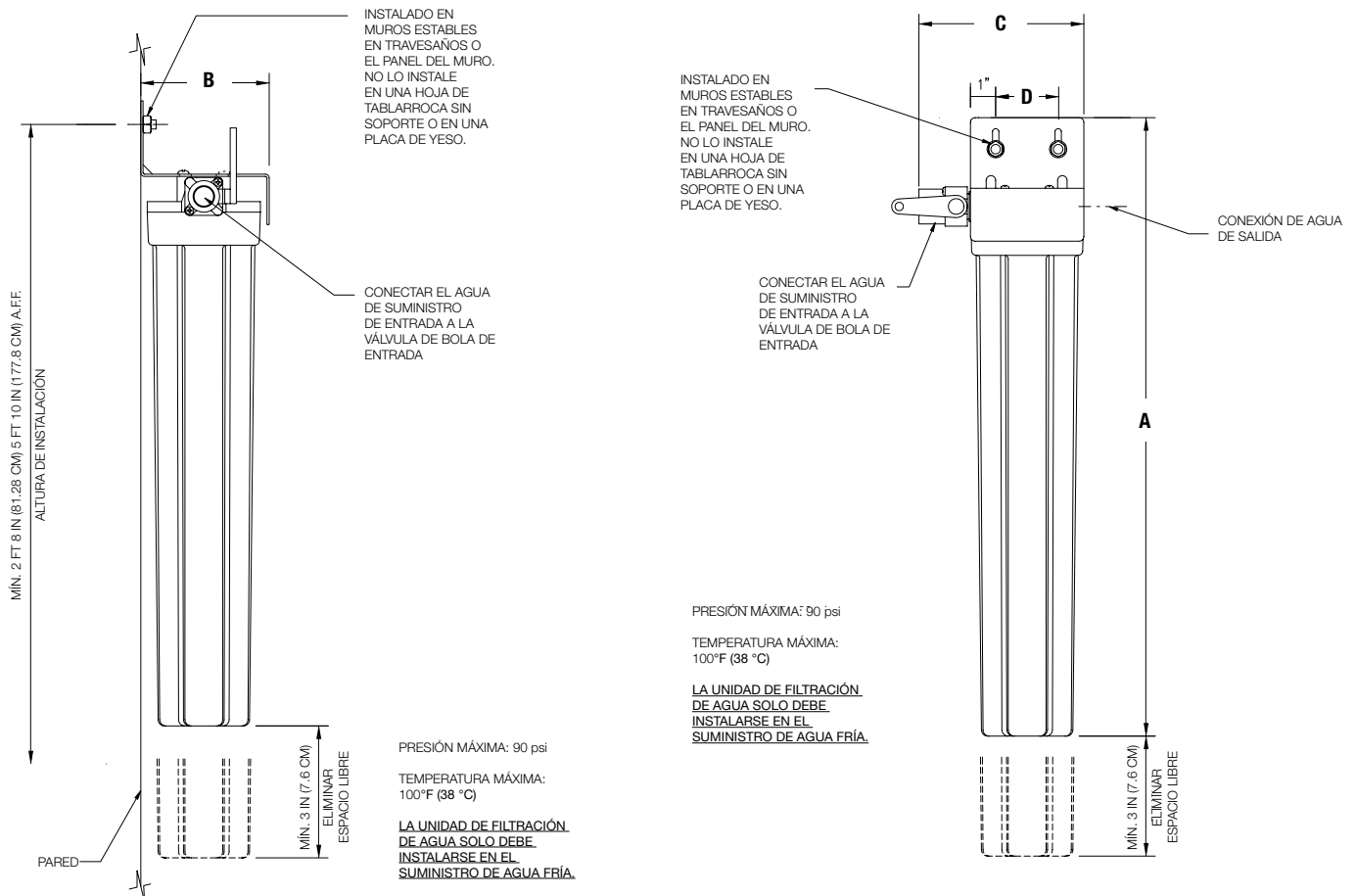
NO SE REQUIERE ACTIVACIÓN PARA QUE EL SISTEMA OneFlow FUNCIONE CORRECTAMENTE. SE RECOMIENDA DESCARGAR LA TUBERÍA PARA PERMITIR QUE EL AIRE SALGA DEL SISTEMA.

9. Asegúrese de que el extremo de la tubería que se va a conectar al equipo esté limpio e higiénico.
10. Conecte la tubería al equipo. Abra todas las válvulas de suministro de agua y verifique que no haya fugas.
11. Si no hay fugas, encienda el equipo y verifique que la operación sea normal.
12. Adhiera el registro de servicio al sistema OneFlow instalado y anote la fecha de instalación.

El sistema ya está listo para su funcionamiento.

Teflon® es una marca comercial registrada de The Chemours Company.

Planos de instalación y dimensiones



Dimensiones

Modelo	Código de pedido	Dimensiones							
		A		B		C		D	
		in	cm	in	cm	in	cm	in	cm
OF110-1	0002148	13½	34	5⅞	13	8	20	2½	6
OF120-2	0002149	12⅝	32	5½	14	7¾	20	2½	6
OF140-4	0002150	28⅞	71	8	20	9⅞	25	5¾	15

La altura total y la altura del accesorio de entrada varían debido a las variaciones de los materiales y las tolerancias del ensamblado. Deje espacio libre adicional arriba del filtro para hacer las conexiones.

Flujos máximos - pesos

Modelo	*Flujo máximo		Peso seco		Peso de servicio	
OF110-1	1 gpm	3.8 lpm	5 lb	2.3 kg	8 lb	3.6 kg
OF120-2	2 gpm	7.6 lpm	8 lb	3.6 kg	15 lb	6.8 kg
OF140-4	4 gpm	15.1 lpm	18 lb	8.2 kg	32 lb	15 kg

*Exceder el flujo máximo puede reducir la efectividad y anular la garantía.

Funcionamiento

Si la presión es suficiente, el funcionamiento del sistema OneFlow de Watts® es totalmente automático. Para que el funcionamiento sea confiable sólo se requieren cambios periódicos de los filtros y el registro del mantenimiento.

Mantenimiento

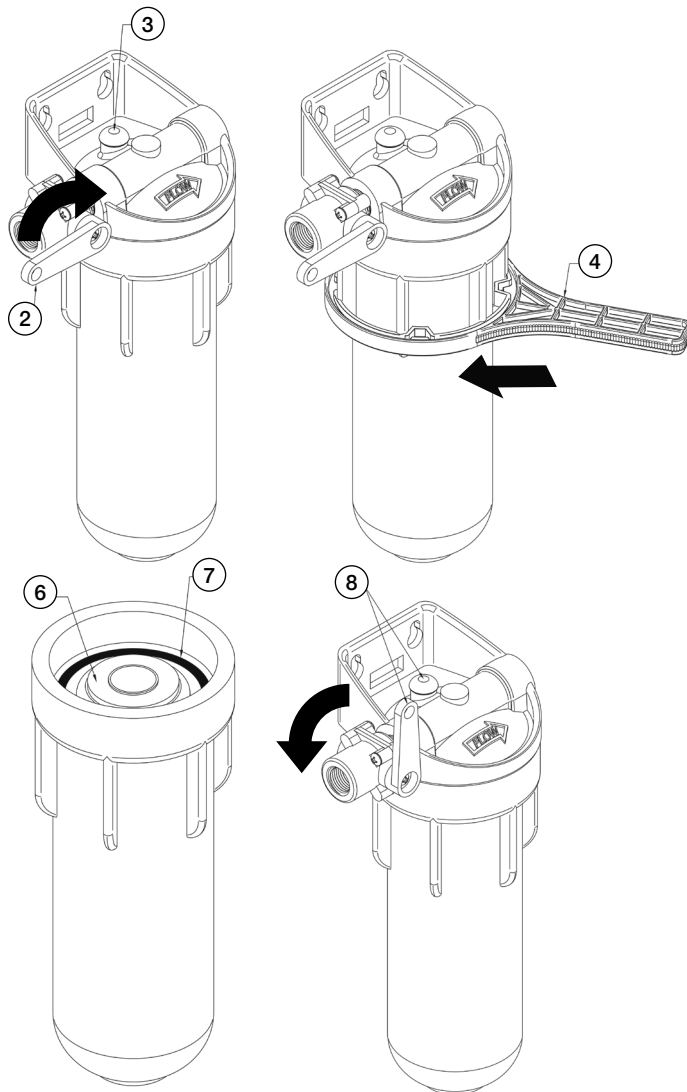
El mantenimiento de rutina del sistema OneFlow implica cambios periódicos de los cartuchos del filtro y/o remplazo de las juntas tóricas del sumidero. Si se siguen las recomendaciones de tamaño del sistema, el cartucho OneFlow debe durar un año.

Frecuencia de cambio de filtros

Los filtros deben cambiarse como consecuencia de las siguientes condiciones.

Frecuencia de reemplazo del cartucho del filtro

Número de modelo del sistema	Número de modelo del cartucho de filtro OneFlow de reemplazo	Frecuencia de reemplazo
OF110-1	OF110RM	Reemplazar cada 12 meses
OF120-2	OF120RM	Reemplazar cada 12 meses
OF140-4	OF140RM	Reemplazar cada 12 meses



Cartuchos de filtro de repuesto

Los sistemas OneFlow® sólo pueden utilizarse con cartuchos para filtros OneFlow®. El uso de cartuchos de repuesto distintos a los especificados anulará las garantías y certificaciones y puede poner en peligro la protección del equipo, su duración y la calidad del agua.

Procedimiento de reemplazo del cartucho del filtro

AVISO

Determine si todos los demás equipos conectados al sistema OneFlow deberán apagarse antes de apagar el suministro de agua.

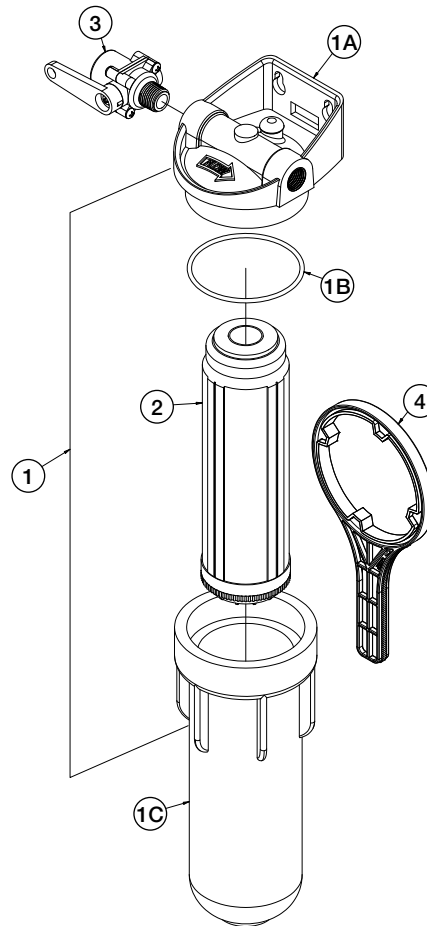
1. Si es necesario, apague el equipo.
2. CIERRE el suministro de agua al sistema OneFlow cerrando la válvula de bola de entrada.
3. Pulse el botón rojo de alivio de presión situado en la parte superior del sistema hasta que el agua deje de salir del botón.
4. Retire la carcasa: utilice la llave de filtro si es necesario.
5. Limpie el interior del recipiente de la carcasa con agua tibia. Si lo desea, desinfecte el recipiente de la carcasa con una cucharadita de cloro de uso doméstico. Añada al recipiente de la carcasa y llene con agua. Deje que repose 5 minutos y después deseche el agua.
6. Inserte cartuchos nuevos en el recipiente de la carcasa del filtro. El número de modelo de cartucho debe coincidir con el número de modelo del soporte.
7. Asegúrese de que la junta tórica esté colocada correctamente y vuelva a instalar las carcasas de filtro (únicamente ajuste a mano). Revise si la junta tórica tiene daños y replácela si está dañada o deformada.
8. Abra ligeramente la válvula de bola de entrada y presione el botón rojo de alivio de presión para liberar el aire atrapado en el sistema. Deje de presionar el botón de alivio de presión cuando salga una pequeña cantidad de agua. Abra completamente la válvula de bola de entrada.
9. Abrir la válvula de purga en línea descendente desde el alojamiento del filtro (si corresponde) y purgar los cartuchos nuevos al desagüe o a un cubo durante dos (2) minutos o hasta que el agua salga transparente. Si no hay una válvula de purga, desconectar la tubería proveniente del equipo para purgar al desagüe.

AVISO

10. Con la válvula de entrada de suministro de agua ABIERTA y el caudal de agua confirmado, encender el equipo conectado. La falta de suministro de agua al equipo puede ocasionar daños graves.
11. Registrar el cambio de filtro en la hoja de registro de mantenimiento.

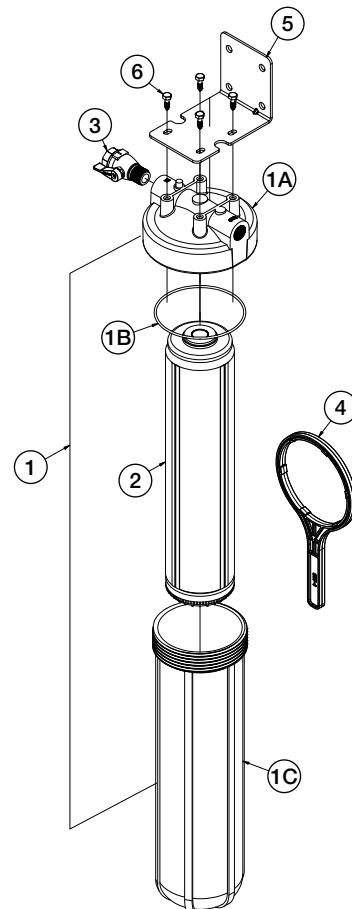
**Piezas de repuesto para:
OneFlow OF110-1 y OF120-2**

ARTÍCULO	CANT.	DESCRIPCIÓN
1	1	Carcasa con alivio de presión y junta tórica
1A	1	Tapa de la carcasa
1B	1	Junta tórica
1C	1	Recipiente de la carcasa
2	1	Cartucho de filtro OneFlow de repuesto
3	1	Válvula de bola de entrada
4	1	Llave de la carcasa del filtro



**Piezas de repuesto para:
OneFlow OF140-4**

ARTÍCULO	CANT.	DESCRIPCIÓN
1	1	Carcasa con alivio de presión y junta tórica
1A	1	Tapa de la carcasa
1B	1	Junta tórica
1C	1	Recipiente de la carcasa
2	1	Cartucho de filtro OneFlow de repuesto
3	1	Válvula de bola de entrada
4	1	Llave de la carcasa del filtro
5	1	Soporte de montaje
6	4	Tornillo de tracción



Garantía limitada

- El sistema de depósito OneFlow® está garantizado como libre de defectos en materiales y manufactura por 5 años desde la fecha del envío original.
- El material OneFlow® está garantizado en cuanto a su rendimiento por un período de 2 años desde la fecha de la instalación original en tanto se haya instalado y utilizado de acuerdo a las instrucciones del Manual de instalación y uso correspondiente.

Watts Regulator Company garantiza sus sistemas de cartuchos OneFlow® como se describe a continuación:

- El sistema de cartuchos OneFlow® está garantizado como libre de defectos en materiales y manufactura por 1 año desde la fecha del envío original.
- Los cartuchos OneFlow® están garantizados en cuanto a su rendimiento por un período de un año desde la fecha de la instalación original en tanto se hayan instalado y utilizado de acuerdo a las instrucciones del Manual de instalación y uso correspondiente.
- No se garantiza el funcionamiento de los cartuchos de repuesto para filtros de carbono por ningún período dado que la vida útil de los cartuchos de repuesto para filtros de carbono varía significativamente de acuerdo a las condiciones y el volumen del agua local.

Condiciones

1. El sistema OneFlow® debe instalarse en aplicaciones con agua suministrada a nivel municipal que cumpla con las normas de la Agencia de Protección Ambiental de Estados Unidos (U.S. Environmental Protection Agency, EPA).
2. Los fallos en los componentes no deben producirse como consecuencia de uso indebido, incendio, congelamiento u otros factores como fuerzas de la naturaleza, actos de violencia o instalación incorrecta.
3. El equipo debe instalarse y utilizarse de conformidad con los códigos locales relativos a las cañerías y con un suministro de agua aprobado.
4. El uso del equipo está limitado a las temperaturas y presiones de agua que no excedan nuestras especificaciones publicadas.
5. El suministro de agua no debe exceder 2 ppm de cloro. En suministros de agua que excedan 2 ppm de cloro, se requiere tratamiento previo. (Contactar al especialista en tratamiento de agua.)
6. Para cualquier reclamo en relación con los equipos en garantía, se debe proporcionar información incluyendo el número de modelo, el número de serie y la fecha de instalación.
7. Las piezas defectuosas están sujetas a inspección por parte de Watts Regulator Company o cualquier representante autorizado antes de que se asuma el compromiso final de ajuste de garantía.
8. Watts Regulator Company se reserva el derecho a realizar cambios o sustituciones en las piezas o el equipo por materiales de valor o calidad equivalente y producción vigente en el momento.

Limitaciones

Nuestra obligación bajo la presente garantía con respecto al depósito o la válvula está limitada al reemplazo o la reparación, a nuestra elección, de cualquier pieza o piezas a nuestra satisfacción con defectos comprobados dentro del período de garantía antes estipulado. Tales piezas de repuesto serán entregadas al propietario bajo condición Libre a bordo (Free on Board, FOB) en la fábrica más cercana, sin costo alguno, sin incluir gastos de flete y mano de obra local, de corresponder.

Nuestra obligación bajo la presente garantía con respecto al material OneFlow® estará limitada a suministrar repuestos por el material durante dos años desde la fecha de la instalación original. Tales materiales de repuesto serán entregados al propietario bajo condición Libre a bordo (Free on Board, FOB) en la fábrica más cercana, sin costo alguno, sin incluir gastos de flete y mano de obra local, de corresponder. Esta garantía no cubre los materiales dañados a causa del cloro, otros oxidantes o la contaminación por las condiciones del agua local o cualquier otra operación fuera de los límites indicados en la sección Especificaciones.

LA GARANTÍA AQUÍ ESTIPULADA SE OTORGA EN FORMA EXPRESA Y ES LA ÚNICA GARANTÍA OTORGADA POR WATTS REGULATOR COMPANY EN RELACIÓN CON EL PRODUCTO. WATTS REGULATOR COMPANY NO OTORGA NINGUNA OTRA GARANTÍA, YA SEA EXPRESA O IMPLÍCITA. WATTS REGULATOR COMPANY POR LA PRESENTE RENUNCIA ESPECÍFICAMENTE A TODAS LAS DEMÁS GARANTÍAS, EXPRESAS O IMPLÍCITAS, INCLUYENDO SIN LIMITACIÓN, LAS GARANTÍAS IMPLÍCITAS DE APTITUD PARA LA COMERCIALIZACIÓN E IDONEIDAD PARA UN PROPÓSITO EN PARTICULAR.

La reparación descrita en esta garantía constituirá el único y exclusivo resarcimiento por incumplimiento de garantía, y Watts Regulator Company no se hará responsable por daños fortuitos, especiales o derivados, incluyendo sin limitación, los gastos de flete y manipuleo, la pérdida de ganancias o el costo de reparación o reemplazo de otra propiedad que resulte dañada por el mal funcionamiento de este producto, otros costos resultantes por mano de obra, retardos, vandalismo, negligencia, contaminación ocasionada por materiales extraños, daños a causa de condiciones adversas del agua, sustancias químicas o cualquier otra circunstancia sobre la cual Watts Regulator Company no tenga control. Esta garantía no tendrá validez en cualquier caso de abuso, uso indebido, aplicación incorrecta o instalación inadecuada del producto.

Algunos estados no permiten limitaciones en la duración de una garantía implícita y otros estados no permiten la exclusión o limitación de daños fortuitos o derivados. Por lo tanto, es posible que las limitaciones anteriores no sean aplicables en su caso. Esta garantía le otorga derechos legales específicos. Usted podría tener también otros derechos que varían según el Estado en cuestión. Usted debe consultar las leyes estatales aplicables para determinar sus derechos. EN LA MEDIDA EN QUE SEA CONGRUENTE CON LAS LEYES ESTATALES APLICABLES, CUALQUIER GARANTÍA IMPLÍCITA QUE NO SEA RECHAZADA, INCLUYENDO LAS GARANTÍAS IMPLÍCITAS DE APTITUD PARA LA COMERCIALIZACIÓN E IDONEIDAD PARA UN PROPÓSITO EN PARTICULAR, SE LIMITA EN SU DURACIÓN A LOS PERÍODOS DE GARANTÍA APLICABLES ESTIPULADOS PRECEDENTEMENTE.



EE. UU.: T: (978) 689-6066 • F: (978) 975-8350 • Watts.com

Canadá: T: (888) 208-8927 • F: (905) 481-2316 • Watts.ca

América Latina: T: (52) 55-4122-0138 • Watts.com

Manuel d'installation, d'utilisation et d'entretien

OneFlow[®] Anti-Scale System

Modèles OF110-1, OF120-2 et OF140-4 Systèmes anti-tartre OneFlow[®] Prévention du tartre sans produits chimiques et sans sel

⚠ AVERTISSEMENT



Lisez ce manuel AVANT d'utiliser cet équipement.
Le non-respect de ces instructions ou des renseignements relatifs à la sécurité et à l'utilisation risque de provoquer des blessures graves, voire mortelles, des dégâts matériels et des dommages à l'équipement.
Conservez ce manuel à titre de référence ultérieure.

Introduction

Le système anti-tartre OneFlow[®] protège contre la formation de tartre sur les surfaces de plomberie interne. OneFlow est le dispositif de traitement de l'eau qui fournit efficacement une protection contre le tartre tout en étant une excellente solution de recharge sans sel à l'adoucissement d'eau (échange d'ions) ou aux produits chimiques séquestrants.

Les systèmes OneFlow sont fabriqués avec les matériaux les meilleurs et les plus avancés. Avec une bonne installation et un entretien régulier, vous profiterez d'un fonctionnement sans souci pendant des années.

Veillez vous reporter à ce manuel lorsque vous effectuez les changements de filtre réguliers. Les directives facilitent et accélèrent l'entretien périodique afin que vous puissiez tirer le maximum de votre système.

Spécifications du système

Connexions entrée/sortie : 1/2 po (1,3 cm) et 3/4 po (1,9 cm)

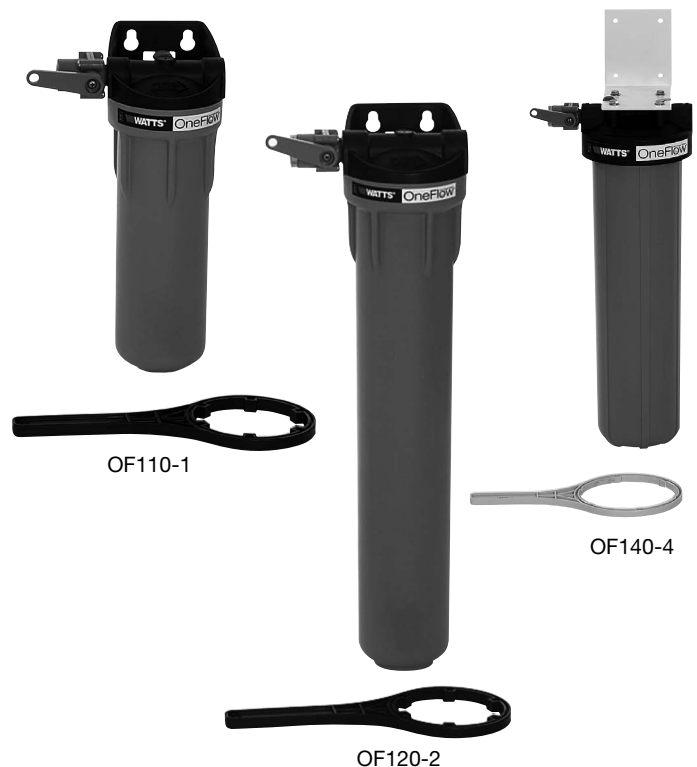
Débits : Jusqu'à 4 g/m (15 l/m)

Taux par gallon : OF110-1, OF120-2, OF140-4 : Il n'y a pas de capacité d'un gallon pour OneFlow. Ces systèmes sont conçus pour fonctionner 24 heures sur 24, 7 jours sur 7, 365 jours par année pendant 1 an. Les contaminants présents dans l'eau dégraderont graduellement l'efficacité de ces cartouches. Changez les cartouches au moins une fois par an.

*La surface sous eau de ce produit, en contact avec l'eau de consommation, contient en poids moins de 0,25 % de plomb.

⚠ AVERTISSEMENT

Vous êtes tenu de consulter les codes du bâtiment ou de plomberie locaux avant l'installation. Si l'information n'est pas compatible avec les codes du bâtiment ou de plomberie locaux, les codes locaux doivent être suivis. Renseignez-vous auprès des autorités de réglementation pour les exigences locales supplémentaires.



Les médias OneFlow sont certifiés par la WQA selon la norme NSF/ANSI/CAN 61 et la norme NSF/ANSI 372 pour l'absence de plomb.

C US

⚠ AVERTISSEMENT

Ne pas utiliser le produit avec de l'eau impropre sur le plan microbiologique ou dont la qualité est inconnue sans procéder à une désinfection adéquate en amont ou en aval du système.

WATTS[®]

Exigences relatives à l'état chimique de l'eau d'alimentation

pH	6,5 à 8,5
Dureté (maximum)	30 grains (513 ppm CaCO ₃)*
Pression de l'eau	15 psi à 90 psi (1,03 bar à 6,2 bars)
Température	40 °F à 100 °F (5 °C à 38 °C)
Chlore libre	< 2 ppm
Fer (maximum)	0,3 ppm **
Manganèse (maximum)	0,05 ppm **
Cuivre (maximum)	1,3 ppm ***
Huile et H ₂ S	Doivent être retirés avant OneFlow
Phosphates totaux	< 3,0 ppm
Silice (maximum)	20 ppm †
MDT	< 1 500 mg/l (1 501,7 ppm)††

AVIS

Ne pas utiliser dans des systèmes fermés.

* Les systèmes utilisant la technologie de cartouche OneFlow sont efficaces pour contrôler la formation de tartre à l'intérieur du système de plomberie à des taux initiaux de dureté pouvant atteindre 30 grains par gallon (513 ppm) de carbonate de calcium. Compte tenu des variations de la composition chimique de l'eau, 30 grains par gallon (513 ppm [512,1 mg/l]) correspond au niveau maximum de dureté recommandé, en raison de problèmes esthétiques potentiels liés à la formation de résidus de tartre mou à l'extérieur du système de plomberie. Des essais doivent être effectués afin de déterminer l'application appropriée lorsque la dureté dépasse 30 grains par gallon (513 ppm [512,1 mg/l]).

** Tout comme avec les médias d'adoucissement de l'eau conventionnels, OneFlow® doit être protégé contre des niveaux excessifs de certains métaux qui peuvent facilement recouvrir la surface active, ce qui réduit son efficacité au fil du temps. L'eau fournie par les services publics pose rarement, voire jamais, de problème, mais si l'approvisionnement en eau provient d'un puits privé, confirmez que les niveaux de fer (Fe) et de manganèse (Mn) sont inférieurs à 0,3 mg/l et 0,05 mg/l, respectivement.

⚠ AVERTISSEMENT

***Conformément aux normes de l'EPA relatives à l'eau potable, la concentration de cuivre autorisée ne doit pas dépasser 1,3 ppm. Des niveaux élevés de cuivre, provenant généralement de la plomberie en cuivre, peuvent encrasser le médium OneFlow. Les conduites de cuivre doivent être passivées pendant au moins 4 semaines avant de faire fonctionner l'appareil. Pour des applications dont la concentration de cuivre dépasse 1,3 ppm, veuillez communiquer avec l'équipe d'assistance technique Watts Water. Pour réduire davantage tout problème d'excès de cuivre, évitez d'appliquer trop de flux sur les surfaces intérieures des tuyaux et utilisez un flux soluble à l'eau peu corrosif conforme à la norme ASTM B813.

AVIS

† Le média OneFlow® ne réduit pas le tartre de silice. Bien que la silice tende à avoir un effet moins important sur la formation de tartre que les autres minéraux, elle peut agir en tant que liant, rendant les taches d'eau et les résidus de tartre à l'extérieur de la tuyauterie difficiles à enlever. Cette limite de 20 ppm est à des fins esthétiques.

†† Tous les autres contaminants doivent satisfaire aux exigences de la USEPA Safe Water Drinking Act (loi sur l'eau potable sécuritaire de l'USEPA). Les MCL des minéraux et métalliques spécifiques, identifiés dans la publication de Watts Feed Water Chemistry Requirements (exigences relatives à l'état chimique de l'eau d'alimentation), ont publié les exigences chimiques d'alimentation en eau d'alimentation, remplacent le SDWA de l'USEPA.

Une eau qui contient des charges importantes de saletés et de débris peut nécessiter une préfiltration avant l'utilisation de OneFlow®.

Les systèmes OneFlow sont complets, autonomes, chargés de médias et prêts à utiliser. Seul un simple raccord d'entrée et de sortie est nécessaire pour l'installation. Examiner les limites de pressions de fonctionnement, de températures et de chimie de l'eau afin d'assurer la compatibilité.

⚠ AVERTISSEMENT

- Raccorder le système uniquement à l'alimentation en eau froide. La température de l'eau ne doit pas dépasser 100 °F (37,8 °C).
- Le système **doit être** installé en position verticale et de niveau.
- Ne pas appliquer aucun autre anti-tartre avant ou après OneFlow.

⚠ AVERTISSEMENT

Précautions d'installation

- NE PAS installer le système si la pression de la conduite est supérieure à 90 psi (6,2 bars).
- Ne PAS installer le système sur une arrivée d'eau CHAUDE. Le dépassement d'une température de 37,8 °C/100 °F sur la conduite d'eau pourrait causer une panne ou endommager le boîtier.
- NE PAS installer le système à l'envers avec la conduite d'eau d'alimentation raccordée à la sortie.
- NE PAS utiliser de produits pour tuyauterie liquides sur les raccords. UTILISER deux ou trois tours de ruban Teflon®.
- NE PAS effectuer le brasage aux raccords de plomberie attachés au boîtier du filtre ou au robinet d'alimentation. Le robinet d'alimentation et le boîtier du filtre seront endommagés par des températures élevées.
- NE PAS laisser le système geler. Couper l'alimentation en eau vers le boîtier et la chambre de vidange si la température descend en dessous de 0 °C (32 °F).
- NE PAS installer le système directement à la lumière du soleil et ne pas l'exposer à des produits chimiques corrosifs ou à des impacts causés par des équipements mobiles, des chariots, des balais ou tout autre article pouvant provoquer des dommages.
- LAISSER au moins 3 pouces sous le boîtier pour permettre le remplacement du filtre.
- Si un coup de bélier est évident, installer des antibéliers devant l'unité.
- NE PAS trop serrer les raccords du robinet d'alimentation ou de la sortie du boîtier.
- Toujours tenir les robinets et les raccords avec une clé lors de l'installation d'un raccord pour éviter de tourner le robinet.
- NE PAS installer l'unité derrière un équipement où il serait difficile d'accéder au système pour le remplacement du filtre.

Placer l'unité OneFlow® dans un endroit adapté. La direction de l'écoulement par l'unité OneFlow® se fait toujours de gauche à droite; garder ceci à l'esprit lors de la sélection de l'emplacement. NE PAS monter le système OneFlow® près d'une source de chaleur. De même, ne pas monter le système au-dessus d'un appareil ou d'une zone qui pourrait être endommagé par de l'eau.

▲ AVERTISSEMENT

Utilisation de OneFlow avec un autre équipement de traitement de l'eau

En raison des propriétés uniques de OneFlow, il existe des exigences particulières pour l'utilisation de OneFlow en combinaison avec une filtration ou d'autres formes de traitement de l'eau.

1. OneFlow doit être la dernière étape de la chaîne de traitement.

Ne pas installer de filtre après OneFlow ou avant un dispositif pour lequel la prévention du tartre est nécessaire. Les filtres « POU » (point d'utilisation), par exemple au charbon, à RO (osmose inversée) ou UV (ultraviolet) sont exemptés de cette exigence.

2. Ne pas appliquer aucun autre anti-tartre avant ou après OneFlow.
3. L'ajout de savons, de produits chimiques ou de nettoyants avant ou après le traitement OneFlow peut annuler les effets du traitement anti-tartre ou produire de l'eau avec des résidus lourds ou des salissures potentielles. Toutes réactions négatives causées par l'ajout de savons, de produits chimiques ou de nettoyants relèvent uniquement de la responsabilité de l'utilisateur final.
4. OneFlow n'est pas un adoucisseur d'eau et il n'adoucit pas l'eau – Les produits chimiques du traitement de l'eau (p. ex. anti-tartre, séquestrants, savons, produits chimiques, nettoyants, etc.) devront probablement être modifiés pour être compatibles avec l'eau traitée par OneFlow.

Les composants chimiques des produits de nettoyage pour la lessive et pour le lavage de vaisselle nécessiteront également des ajustements.

AVIS

Des traces pourraient apparaître sur les surfaces de plomberie externe

Les systèmes de média OneFlow fonctionnent mieux avec une utilisation de l'eau potable en un seul passage SANS additifs chimiques supplémentaires. Selon la dureté, de légères traces de tartre pourraient apparaître. Ces légères traces de tartre peuvent généralement être aisément nettoyées avec un chiffon humide et ne formeront pas de dépôt de tartre dur.

Un adoucisseur d'eau pour POU (point d'utilisation) doit être utilisé pour des applications qui requièrent obligatoirement une absence de traces (p. ex. verres à pied, vaisselle).

Installation

1. Éteignez tout équipement alimenté par le système OneFlow, localisez le robinet d'arrêt d'alimentation d'eau et FERMEZ-LE.
2. Déterminez si la conduite d'eau est dotée d'un système de traitement des eaux existant. Le cas échéant, examinez le système pour savoir s'il utilise des inhibiteurs de polyphosphates ou autre. OneFlow ne sera pas efficace s'il est utilisé avec d'autres inhibiteurs de tartre. Retirez les inhibiteurs de tartre de la conduite d'eau ou interrompez l'installation.
3. Installez un robinet à bille fourni par l'utilisateur du côté alimentation en eau qui alimentera le système d'eau.
4. Ancrez le système OneFlow sur une surface de montage appropriée qui peut supporter le poids du système pendant son fonctionnement. Le système doit être vertical et debout.
5. Acheminez une conduite appropriée du robinet à bille fourni par l'utilisateur à la source d'eau du robinet jusqu'au robinet à bille d'entrée du côté gauche du système OneFlow. Appliquez deux à trois tours de ruban Teflon® sur la connexion d'eau d'alimentation et renforcez le clapet à bille d'entrée avec une clé lors du raccordement à la conduite d'alimentation à l'eau.

AVIS

NE SERREZ PAS TROP LE RACCORDEMENT AU CLAPET À BILLE.

6. Sélectionnez la bonne grandeur de tuyauterie pour l'équipement alimenté et le connecter à la sortie du système OneFlow.

AVIS

NE RACCORDEZ PAS la tuyauterie à l'équipement à ce stade. Avant de faire le raccordement à l'équipement, cette conduite sera utilisée pour faciliter la vidange du système. Ou, un robinet de vidange dans un T sur le côté sortie du système OneFlow pourrait être installé dans la conduite afin de faciliter la vidange lors du changement des filtres.

7. Le clapet d'entrée de OneFlow étant fermé, ouvrez lentement le clapet à bille au robinet d'alimentation d'eau. Vérifiez qu'il n'y a pas de fuites.
8. Si un robinet de vidange n'a pas été installé sur le côté sortie du système, tenez la tuyauterie qui sera raccordée à l'équipement dans un seau propre ou sur l'évier ou un drain. Ouvrez la vanne d'alimentation d'entrée du système et laissez l'eau rincer le système pendant deux minutes au débit nominal du système afin d'évacuer les bulles d'air.

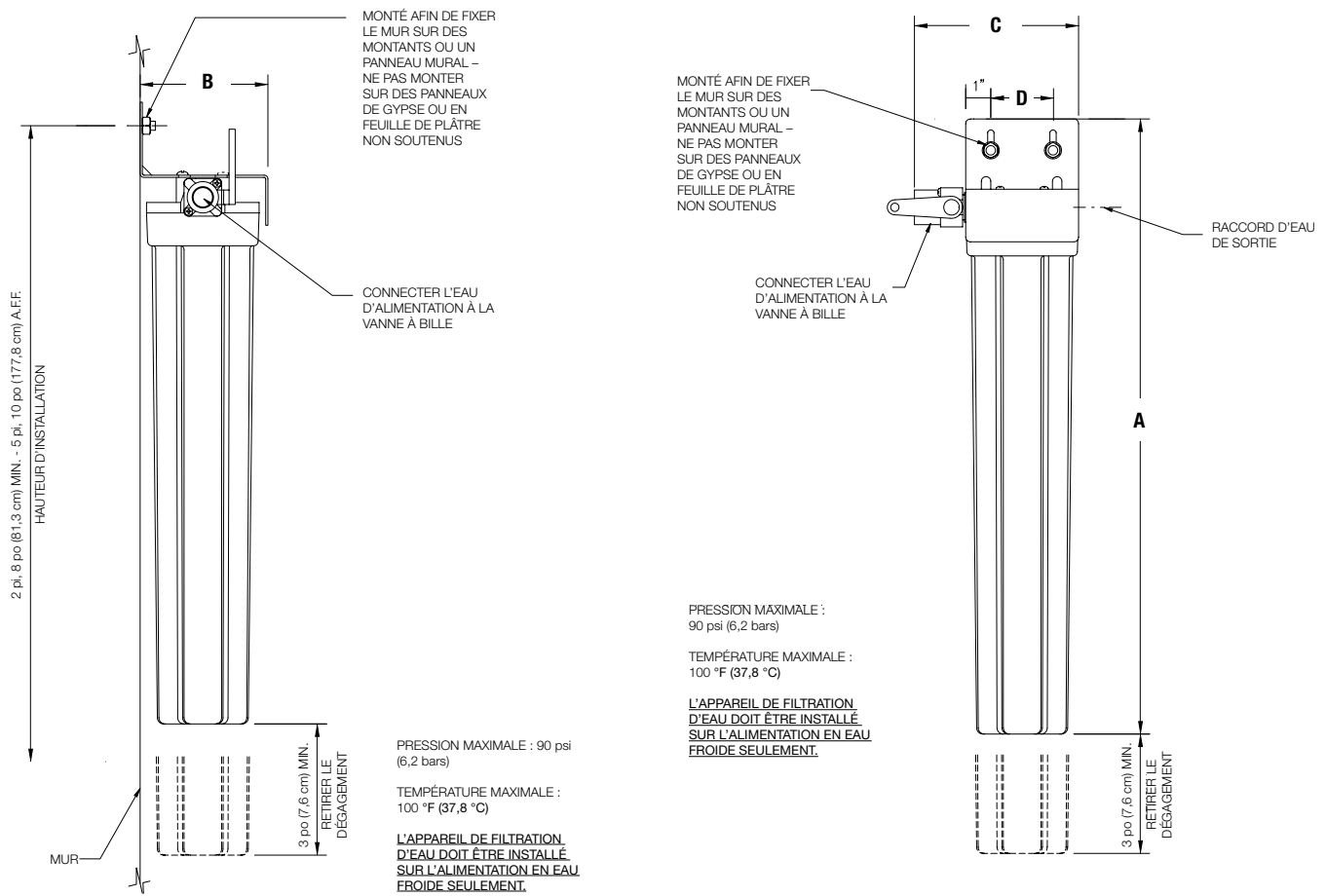
AVIS

AUCUNE ACTIVATION REQUISE POUR QUE LE système OneFlow FONCTIONNE CORRECTEMENT. LA VIDANGE EST RECOMMANDÉE POUR LAISSER L'AIR S'ÉVACUER DU SYSTÈME.

9. Assurez-vous que l'extrémité de la tuyauterie raccordée à l'équipement est propre et désinfectée.
10. Raccordez la tuyauterie à l'équipement. Ouvrez tous les robinets d'alimentation d'eau et vérifiez l'étanchéité.
11. S'il n'y a pas de fuite, mettez l'équipement sous tension et vérifiez le fonctionnement normal.
12. Attachez le journal d'entretien au système OneFlow et inscrivez la date d'installation.

Le système est maintenant prêt pour fonctionner.

Dessins et dimensions d'installation



Dimensions

Modèle	Code de commande	Dimensions							
		A		B		C		D	
		po	cm	po	cm	po	cm	po	cm
OF110-1	0002148	13½	34	5½	13	8	20	2½	6
OF120-2	0002149	12½	32	5½	14	7¾	20	2½	6
OF140-4	0002150	28½	71	8	20	9½	25	5¾	15

La hauteur totale et la hauteur du raccord d'entrée varient en raison des variations matérielles et des tolérances de montage. Veuillez permettre un dégagement supplémentaire au-dessus du filtre pour faire les raccords.

Pics de débit – Poids

Modèle	*Débit maximal		Poids sec		Poids à vide	
OF110-1	1 g/m	3,8 l/m	5 lb	2,3 kg	8 lb	3,6 kg
OF120-2	2 g/m	7,6 l/min	8 lb	3,6 kg	15 lb	6,8 kg
OF140-4	4 g/m	15,1 l/m	18 lb	8,2 kg	32 lb	15 kg

*Le dépassement du débit maximum peut réduire l'efficacité et annuler la garantie.

Fonctionnement

Avec une pression suffisante, le fonctionnement du système OneFlow® de Watts est complètement automatique. Un fonctionnement fiable requiert uniquement un remplacement régulier des filtres et l'enregistrement des dates d'entretien.

Entretien

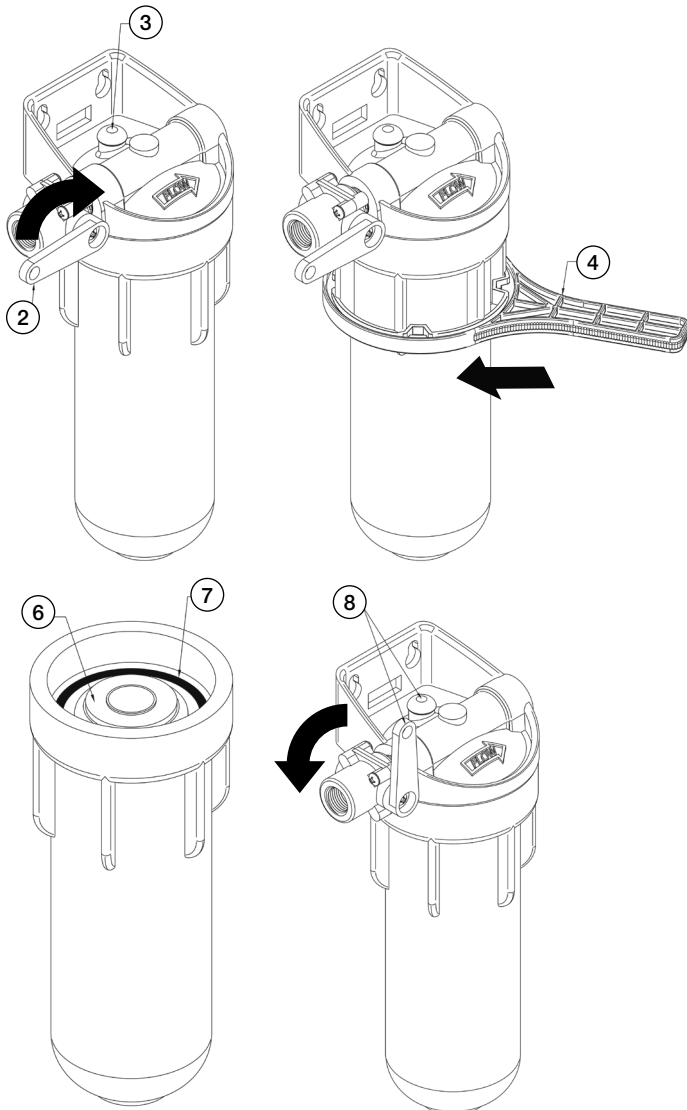
L'entretien de routine de votre système OneFlow implique des changements périodiques de cartouche filtrante ou un remplacement des joints toriques du puisard. Si les recommandations de dimensionnement du système ont été suivies, la cartouche OneFlow devrait durer un an.

Fréquence de remplacement du filtre

Les filtres devraient être changés en réaction aux conditions suivantes.

Fréquence de remplacement de la cartouche filtrante

Numéro de modèle du système	Numéro de modèle de la cartouche filtrante OneFlow de rechange	Fréquence de remplacement
OF110-1	OF110RM	Remplacer tous les 12 mois
OF120-2	OF120RM	Remplacer tous les 12 mois
OF140-4	OF140RM	Remplacer tous les 12 mois



Cartouches de filtre de rechange

Le système OneFlow® doit uniquement être utilisé avec les cartouches de filtre OneFlow®. L'utilisation de cartouches de rechange autres que celles indiquées annulera les garanties et les certifications et peut compromettre le système de protection de l'équipement, la qualité de l'eau et la durée de vie de l'équipement.

Procédure de remplacement de la cartouche du filtre

AVIS

Déterminez si tous les autres équipements raccordés au système OneFlow doivent être mis hors tension avant de couper l'alimentation d'eau.

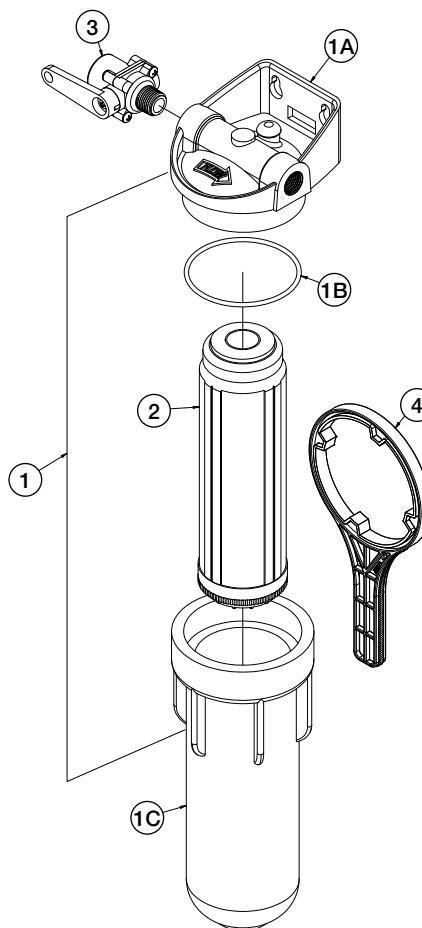
1. Si nécessaire, éteignez l'équipement.
2. COUPEZ l'alimentation d'eau au système OneFlow en fermant le clapet à bille d'entrée.
3. Appuyez sur le bouton rouge de décharge de pression sur le dessus du système jusqu'à ce que l'eau cesse de couler du bouton.
4. Retrait du boîtier; utilisez une clé à filtre, si nécessaire.
5. Nettoyez l'intérieur du bol de boîtier de filtration avec de l'eau tiède. Au besoin, désinfectez le bol de boîtier à l'aide d'une cuillère à thé d'eau de javellisant. Ajoutez au bol de boîtier et remplissez d'eau. Laissez reposer 5 minutes et jetez.
6. Insérez la nouvelle cartouche dans le bol de boîtier du filtre. Faites correspondre les numéros de modèle de la cartouche aux numéros de modèle sur le support.
7. Veillez à ce que le joint torique soit bien positionné et réinstallez les boîtiers du filtre (serrez à la main seulement). Vérifiez l'état du joint torique et remplacez-le s'il est endommagé ou déformé.
8. Ouvrez légèrement le robinet à bille d'entrée et appuyez sur le bouton de décharge de pression rouge pour libérer l'air pris dans le système. Arrêtez d'appuyer sur le bouton de décharge de pression lorsqu'une petite quantité d'eau sort. Ouvrez complètement le robinet à bille d'entrée.
9. Ouvrir le robinet de rinçage en aval du logement du filtre (si présent) et rincer les cartouches neuves au-dessus d'une évacuation ou d'un seau pendant deux (2) minutes ou jusqu'à ce que l'eau qui s'écoule soit propre. S'il n'y a pas de robinet de rinçage, séparer la conduite de l'équipement pour effectuer le rinçage.

AVIS

10. Avec le robinet d'alimentation en eau OUVERT et le débit d'eau confirmé, mettre l'équipement raccordé en marche. Si l'équipement n'est pas alimenté en eau, des graves dommages peuvent avoir lieu.
11. Noter la date de remplacement du filtre sur le journal d'entretien.

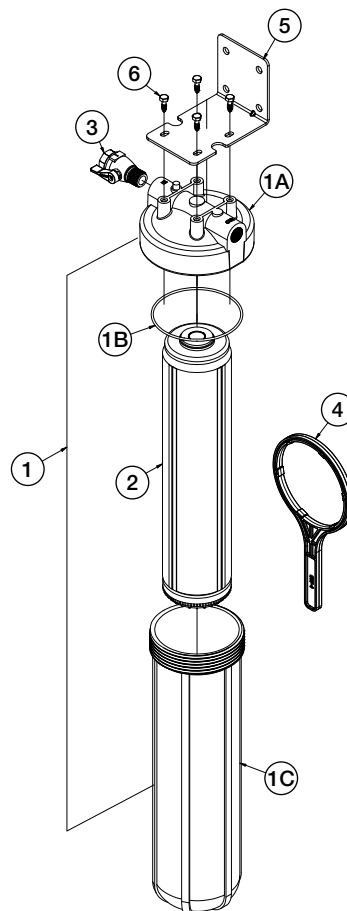
Pièces de rechange pour :
OneFlow OF110-1 et OF120-2

PIÈCE	QTÉ	DESCRIPTION
1	1	Boîtier avec décharge de pression et joint torique
1A	1	Couvercle du boîtier
1B	1	Joint torique
1C	1	Bol de boîtier
2	1	Cartouche de filtre OneFlow de remplacement
3	1	Clapet à bille d'entrée
4	1	Clé de boîtier de filtre



Pièces de rechange pour :
OneFlow OF140-4

PIÈCE	QTÉ	DESCRIPTION
1	1	Boîtier avec décharge de pression et joint torique
1A	1	Couvercle du boîtier
1B	1	Joint torique
1C	1	Bol de boîtier
2	1	Cartouche de filtre OneFlow de remplacement
3	1	Clapet à bille d'entrée
4	1	Clé de boîtier de filtre
5	1	Support de fixation
6	4	Tire-fond



Garantie limitée

- Le système du réservoir OneFlow® est garanti exempt de vices de matériau et de main d'œuvre pour une durée de 5 ans à compter de la date d'expédition d'origine.
- Le média filtrant OneFlow® est garanti pour une période de 2,0 ans à compter de la date d'installation initiale lorsqu'il est installé et utilisé conformément aux instructions du manuel d'installation et de fonctionnement.

Watts Regulator Company garantit le système de cartouche OneFlow® de la façon suivante :

- Le système de cartouche OneFlow® est garanti exempt de vices de matériau et de main d'œuvre pour une durée d'un an à compter de la date d'expédition d'origine.
- Les cartouches OneFlow® sont garanties pour une période d'un an à compter de la date d'installation initiale lorsqu'elles sont installées et utilisées conformément aux instructions du manuel d'installation et de fonctionnement.
- Les cartouches de filtre au charbon de rechange ne sont pas garanties car la durée de vie des cartouches au charbon varie grandement en fonction des conditions et du volume de l'eau locale.

Conditions

1. Le système OneFlow® doit être installé dans des applications alimentées par l'eau municipale conformément au règlement de l'EPA.
2. Les défaillances de composant ne doivent pas être causées par un abus, un incendie, le gel ou d'autres phénomènes naturels, des actes de violence ou une installation erronée.
3. L'équipement doit être installé et utilisé conformément au code de plomberie en vigueur et avec une alimentation en eau approuvée.
4. L'équipement doit être utilisé à des pressions et des températures d'eau ne dépassant les spécifications indiquées.
5. La teneur en chlore de l'eau ne doit pas dépasser 2,0 ppm. Pour une eau présentant une teneur en chlore supérieure à 2,0 ppm, un prétraitement de l'eau est requis. (Merci de contacter le spécialiste de traitement de l'eau.)
6. Les informations, incluant le numéro de modèle, le numéro de série et la date d'installation, doivent être fournies pour toute réclamation dans le cadre de la garantie.
7. Les pièces défectueuses seront soumises à une inspection par Watts Regulator Company ou par un représentant agréé avant que le recours en garantie final ne soit accepté.
8. Watts Regulator Company se réserve le droit de remplacer ou de changer les pièces ou l'équipement par un matériau de qualité et de valeur égales et en cours de production.

Limitations

Notre obligation dans le cadre de cette garantie et concernant le réservoir ou le robinet est limitée au remplacement ou à la réparation, à notre choix, de toute pièce jugée défectueuse dans la période de garantie indiquée ci-dessus. Ces pièces de rechange seront fournies gratuitement au propriétaire FAB à l'usine la plus proche à l'exception des frais de transport et de main d'œuvre locale, le cas échéant.

Notre obligation dans le cadre de cette garantie par rapport au média filtrant OneFlow® sera limitée à son remplacement dans les deux années suivant la date d'installation d'origine. Le média filtrant de rechange sera fourni gratuitement au propriétaire FAB à l'usine la plus proche à l'exception des frais de transport et de main d'œuvre locale, le cas échéant. Les dommages du média filtrant dus au chlore, aux oxydants et à l'encrassement provoqués par les conditions de l'eau ou une utilisation en dehors des limites spécifiées ne sont pas couverts par cette garantie.

LA PRÉSENTE GARANTIE EST EXPRESSE ET REPRÉSENTE LA SEULE GARANTIE OFFERTE PAR WATTS REGULATOR COMPANY POUR CE PRODUIT. WATTS REGULATOR COMPANY N'OFFRE AUCUNE AUTRE GARANTIE EXPRESSE OU IMPLICITE. PAR LA PRÉSENTE, WATTS REGULATOR COMPANY REJETTE SPÉCIFIQUEMENT TOUTE AUTRE GARANTIE, EXPRESSE OU IMPLICITE, NOTAMMENT TOUTE GARANTIE IMPLICITE DE QUALITÉ MARCHANDE OU D'ADAPTATION À UN BUT PARTICULIER.

Le remède décrit dans cette garantie constitue le seul recours à toute rupture de la présente garantie et Watts Regulator Company ne saurait être tenue responsable de tout dommage spécial, accessoire ou consécutif, y compris, mais non exclusivement : le transport, la manutention, la perte de profits ou le coût afférent à la réparation ou au remplacement d'autres biens qui seraient endommagés par suite du fonctionnement incorrect dudit produit; d'autres coûts afférents aux frais de main-d'œuvre; délais, vandalisme, négligence, encrassement occasionné par la présence de matériau étranger; dommages résultant d'une eau impropre, de produits chimiques ou de tout autre événement sur lequel Watts Regulator Company ne saurait exercer le moindre contrôle. La présente garantie est déclarée nulle et non avenue en cas d'abus, de mésusage, d'application ou d'installation erronée de ce produit.

Certains États ou certaines Provinces n'autorisent pas la limite de durée d'une garantie implicite ou l'exclusion ou limite de dommages directs ou indirects. C'est pourquoi les limites ou exclusions susmentionnées peuvent ne pas s'appliquer à vous. Cette garantie vous donne des droits légaux précis et il se peut que vous ayez aussi d'autres droits qui varient d'une province, d'un état ou d'une juridiction à l'autre. Veuillez vous référer aux lois d'état ou de province applicables pour déterminer vos droits en la matière. DANS LA MESURE PERMISE PAR LA LOI, TOUTE GARANTIE IMPLICITE NE POUVANT PAS ÊTRE REJETÉE, Y COMPRIS LES GARANTIES IMPLICITES DE QUALITÉ MARCHANDE ET D'ADAPTATION À UN BUT PARTICULIER, SONT LIMITÉES AUX DURÉES DE GARANTIE APPLICABLES INDIQUÉES CI-DESSUS.



Notes / Notas / Notes