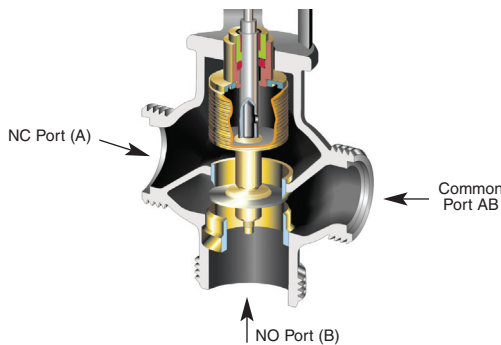


MXG-461 SERIES CONTROL VALVE

Principle of Operation

As the valve stem moves downward, the flow through the NO port decreases and the flow through the NC port increases. As the valve stem moves upward, the flow through the NO port increases and the flow through the NC port decreases. In event of power failure, the valve returns to its normal position.



Applications

A typical application for the MXG-461 three-way valve is the mixing of boiler water whenever the merging of two streams into a single stream is required. It can also be used for throttling or by-pass application such as in the primary loop of a heat exchanger. Please note: The valve can also be configured for two-way straight-through application. The components required to create a two-way valve are included with the valve.

Features

- **Low Leakage Rate:** A-AB .02% of Cv; B-AB .2% of Cv
- **High Turndown Ratio:** 1000:1 Rangeability
- **Fast Positioning Time:** 1 second
- **Maintenance Free:** The valve and actuator require no periodic maintenance; no motors, few moving parts
- **UL Listed**

Water Capacity (U.S. GPM) Table

| Valve Size | Pressure Differential (psi) | | | | | | | | |
|------------|-----------------------------|----|----|----|----|----|----|-----|-----|
| | Cv/1 | 2 | 3 | 4 | 5 | 6 | 8 | 10 | 15 |
| 1 1/2" | 23 | 33 | 40 | 46 | 51 | 56 | 65 | 73 | 89 |
| 2" | 35 | 49 | 61 | 70 | 78 | 86 | 99 | 111 | 136 |



Specifications

Body Styles & Sizes

FxFxF Screwed.....European Class PN 16 1 1/2"-2" NPT

Actuator

TypeMagnetic
 Control Signal0-10 Vdc (factory setting)
 2-10 Vdc
 4-20 mA

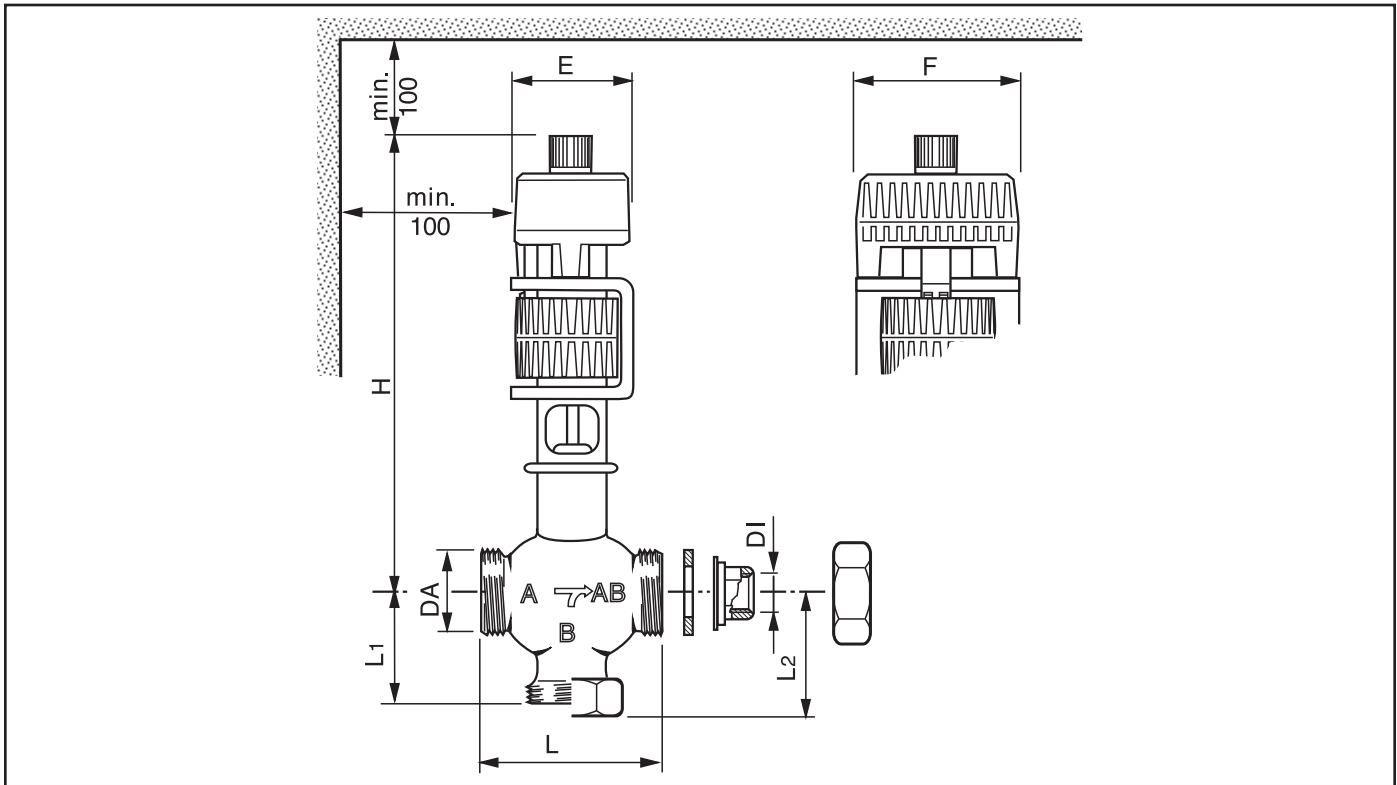
Materials of Construction

Housing PartsCast Iron
 Inner ValveCrNi Steel
 Seat.....Brass
 Valve Stem Seal.....EPDM (O-ring)
 Bellows.....Tombac, Bronze, CrNi Steel

Maximum Operating Ratings

Pressure150 psig
 Temperature266°F

MXG-461 SERIES CONTROL VALVE



Dimensions

All dimensions in inches (millimeters)

| Valve Size | DI | DA | L | L1 | L2* | H | E | F | Lbs. (kg) |
|------------|-----|-----|---------------|----------------|---------------|----------------|---------------|---------------|----------------|
| 1½" | 1½" | 2¼" | 5.51 (140) | 3.17 (80.5) | 3.70 (94) | 12.60 (320) | 3.94 (100) | 4.72 (120) | 20.5 (9.3) |
| 2" | 2" | 2¾" | 6.69 (170) | 3.68 (93.5) | 4.29 (109) | 13.39 (340) | 3.94 (100) | 4.72 (120) | 26.2 (11.9) |

*When used as a straight-through valve

Lbs. (kg) = Weight (including packaging)

Part Number Designation

| Size | Part Number |
|------|-------------|
| 1½" | 92047-2 |
| 2" | 92047-1 |

Proposal/Submittal Information

| Size (in.) | Type | Operating Conditions | | |
|------------|--------|----------------------|------------------------------|-----------------------------|
| | | Flow Rate (US GPM) | Inlet/Outlet Temperature (F) | Inlet/Outlet Pressure (psi) |
| | MXG461 | | | |



HOT WATER SYSTEMS

AERCO INTERNATIONAL, INC. • 159 PARIS AVENUE

NORTHVALE, NJ 07647-0128 • (201) 768-2400 • FAX (201) 768-7789

www.aerco.com • E-mail: info@erco.com

Specifications subject to change.
Consult website or contact AERCO.
VA-12 New Doc 6/09 5M SS 6/09