

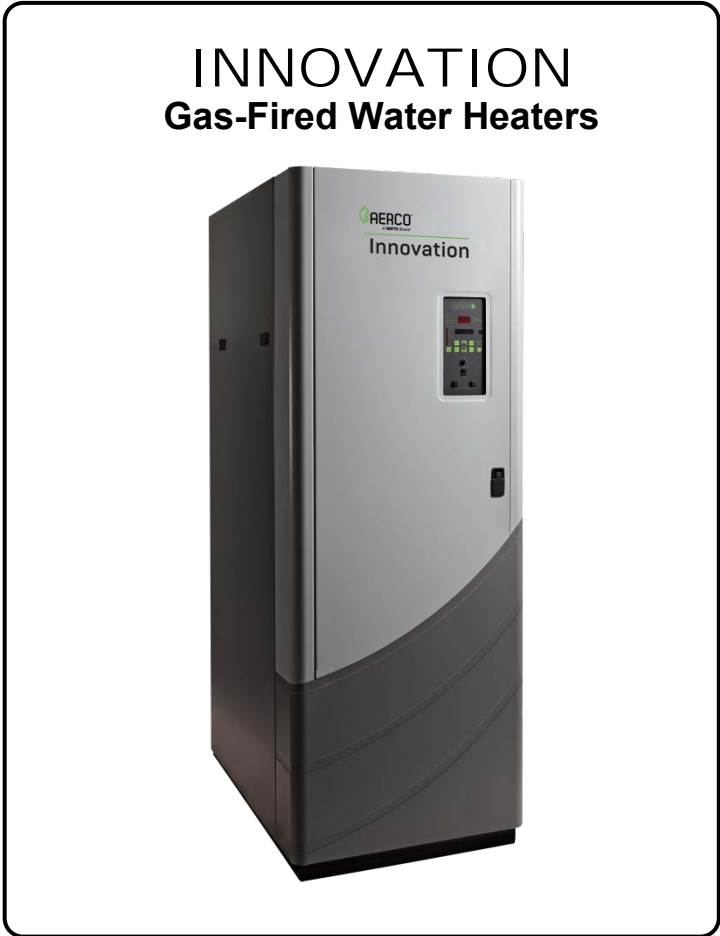
**ELECTRICAL POWER GUIDE
-- CHINA EDITION --**



**Natural Gas Modulating,
Condensing Water
Heater Models:**

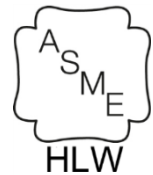
- **INN1060**
- **INN1350**

Technical Support:
(Mon–Fri, 8am–5pm EST)
1-800-526-0288
www.aerco.com



Latest Revision: 09/06/2016

SELO



DISCLAIMER

The information contained in this manual is subject to change without notice from AERCO International, Inc. AERCO makes no warranty of any kind with respect to this material, including, but not limited to, implied warranties of merchantability and fitness for a particular application. AERCO International is not liable for errors appearing in this manual, nor for incidental or consequential damages occurring in connection with the furnishing, performance, or use of these materials.

1 GENERAL

Innovation (INN) Gas Fired Hot Water Boilers are fully factory wired and packaged units which require simple power wiring as part of the installation. This technical guide is intended to help designers provide electrical power wiring (line voltage) to Innovation units. Control wiring details are provided in other publications depending on the intended application. This document is intended as a guide only, and cannot include all alternatives, situations, or be totally inclusive. To comply with all codes and authorities having jurisdiction, designers and installers must plan the electrical wiring carefully and execute the installation completely. Emergency shutoffs, fusible fire switches, break glass stations, and other electrical requirements should be considered and installed whenever necessary.

2 Heater Electrical Requirements

Innovation Hot Water Boilers require the following electrical supply:

220 volts, single phase, 50/60 Hz, 15 Amps

Refer to Figure 1 for typical Service Disconnect Switch location.

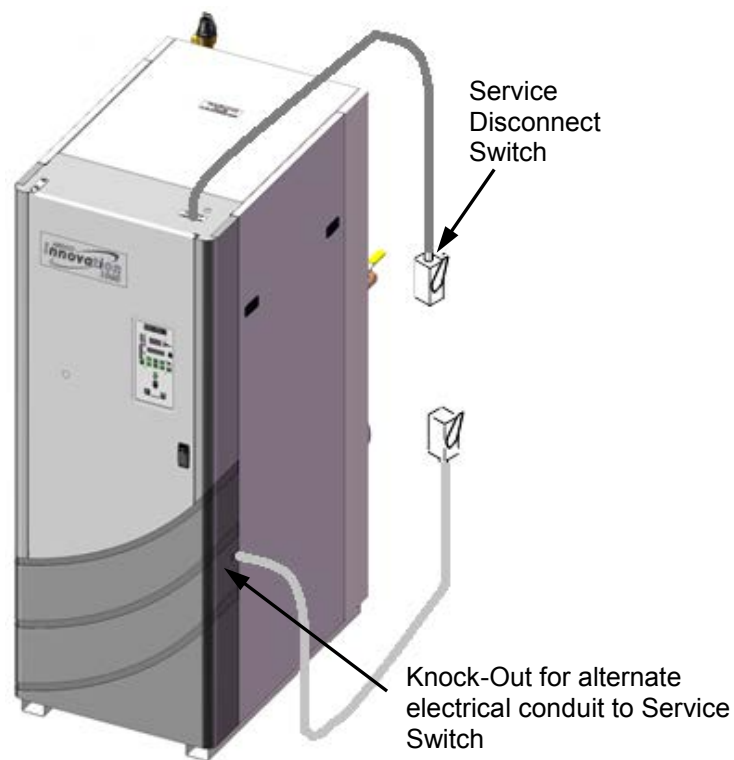
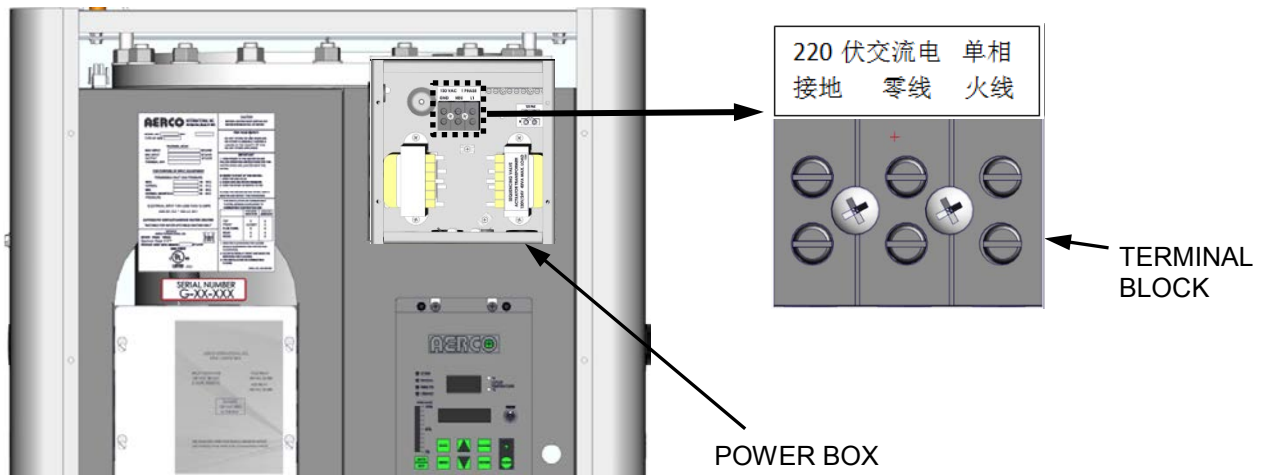


Figure 1. Service Switch Typical Location

The distribution block for field connection is located in the upper right of the control box (see Figure 2). All copper wire must be connected to the terminal distribution block. Voltages lower than the rated input will result in increased wear and premature failure of the blower motor. Wire size and type should be made per the National Electrical Code based on length and load.

Figure 2 shows the location of the Power Box containing the terminal block connections. The Power Box is accessed by removing the front panel of the unit.



Power Box Shown With Cover Removed

Figure 2. Power Box and Terminal Block Location

All units that operate with a 220 VAC power source include a 220 VAC to 120 VAC transformer. This transformer is installed inside the unit, as shown in Figure 3, and is pre-wired. The 220 VAC electrical connection is made in the Power Box (see Figure 2).

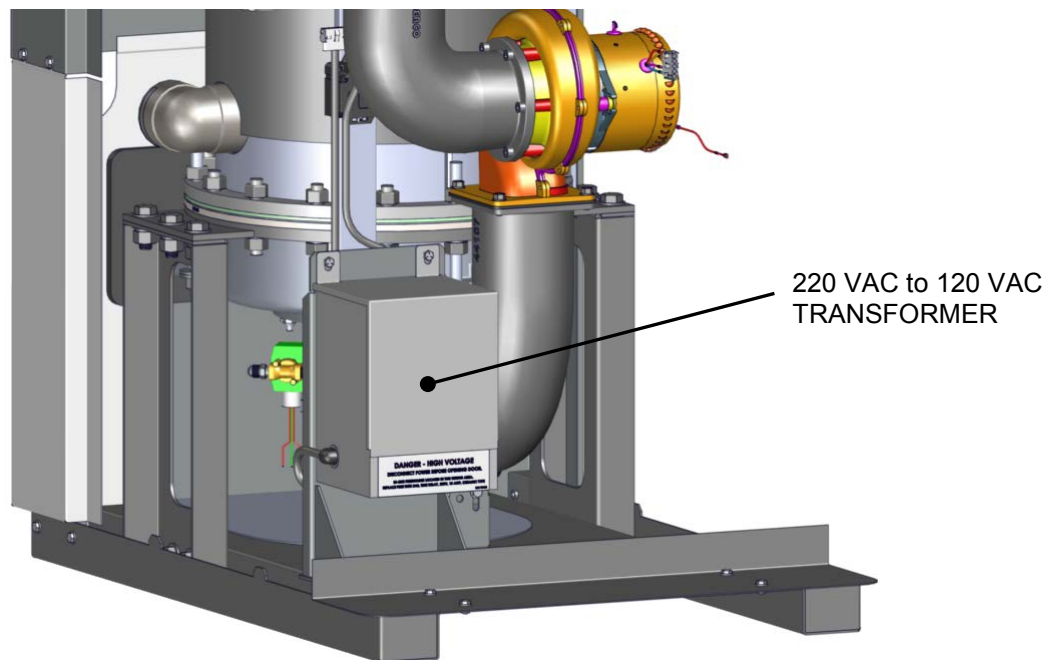


Figure 3. 220V Transformer – Front Frame & Panel and Side Panels Removed

3 Provisions for Service

Designers must provide emergency shutoffs and other devices to satisfy electrical codes. It is also recommended to provide an electrical shutoff disconnect switch of suitable load carrying characteristics on or near each water heater. No electrical boxes or field components should be mounted to the surface of the unit or where they would interfere with the removal of the side or top panels for maintenance. The disconnect switch should be mounted near the unit as illustrated in Figure 1. Wiring conduit, EMT, or other wiring paths should not be secured to the unit, but supported externally. Electricians should be instructed as to where the wiring conduit should be located, such as away from the relief valve discharge, drains, etc. All electrical conduit and hardware should be installed so that it does not interfere with the removal of any cover, inhibit service or maintenance, or prevent access between the unit and walls or another unit.

4 Unit Wiring

A dedicated protected circuit should be provided from the power source to the unit. No other electrical devices should be permanently wired on the same circuit. An emergency switch (electrical shutoff) must be in series with the power to the unit. Refer to Figure 3 for the wiring connections to the terminal block contained in the unit's Power Box.

5 Multiple Unit Wiring

Whenever multiple units are installed within the same mechanical spaces, electrical code requirements call for a single electrical shutoff for emergency use. It is the responsibility of the electrical designer to comply with local codes and regulations affecting an individual installation.

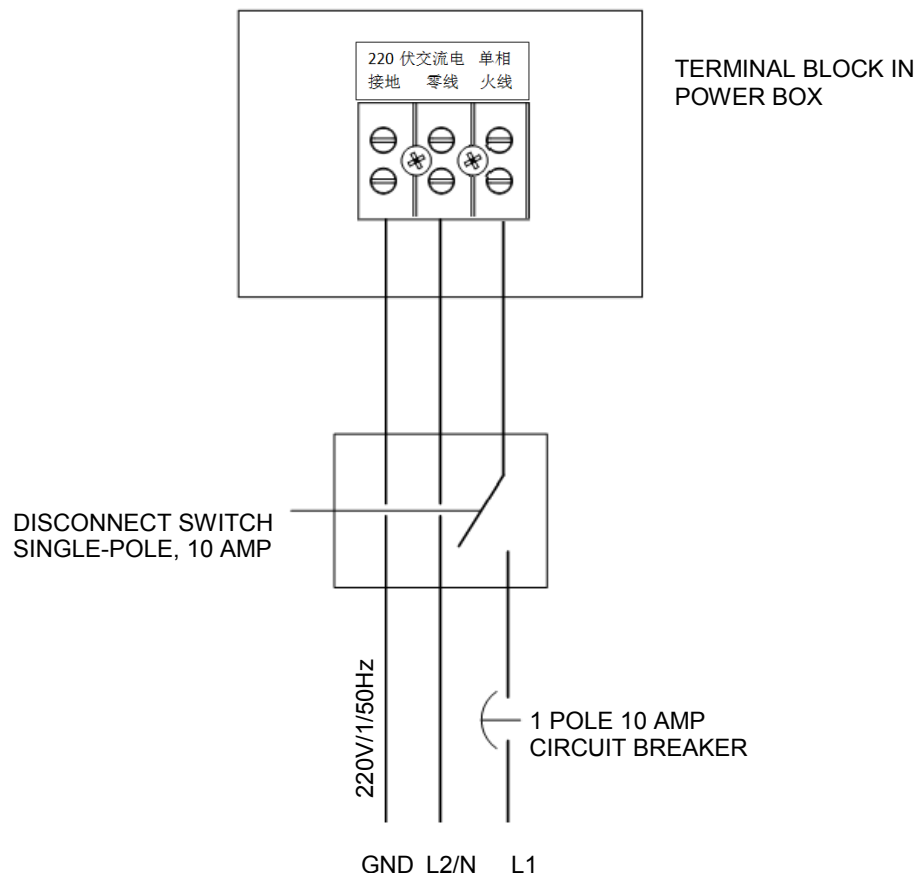


Figure 3. 220V/1Ø/50 Hz Wiring Schematic

Change Log

Date	Description	
05/18/2015	Rev A: Initial Release	
09/06/2016	Rev B: PIR 1177-8: Added 220 VAC to 120 VAC transformer	Chris Blair



© AERCO International, Inc., 2016