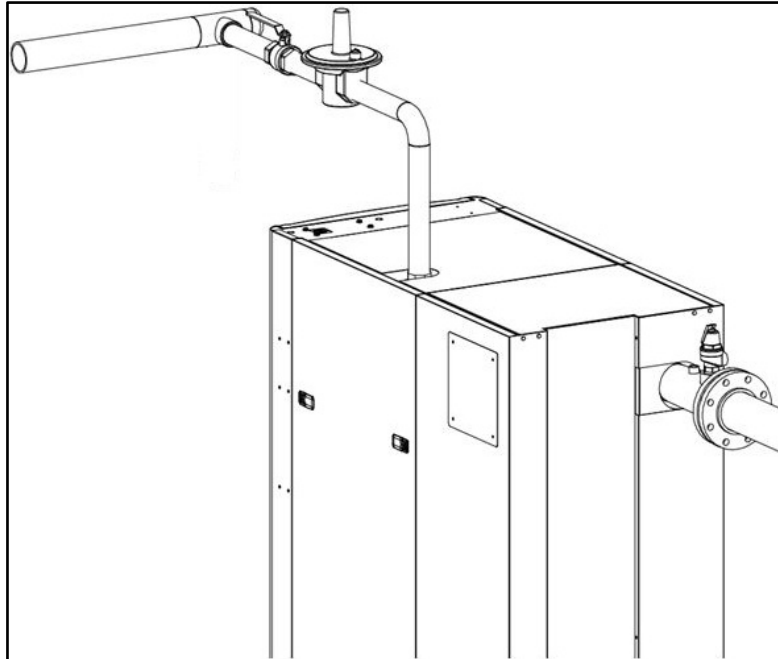




PRE-INSTALLATION GAS SUPPLY DESIGN GUIDE

Benchmark & Benchmark® Platinum

Natural Gas, Propane Gas, or Dual Fuel Fired Modulating, Condensing Boilers

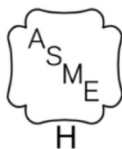


Applies to the following Benchmark and Benchmark® Platinum models:

BMK 750
BMK 1000
BMK 1500
BMK 2000
BMK 2500
BMK 3000
BMK 5000
BMK 6000

Latest Update: 12/017/2016

Technical Support
1-800-526-0288
(Mon-Fri, 8am-5pm EST)
www.aerco.com



DISCLAIMER:

The information contained in this manual is subject to change without notice from AERCO International, Inc. AERCO makes no warranty of any kind with respect to this material, including, but not limited to, implied warranties of merchantability and fitness for a particular application. AERCO International is not liable for errors appearing in this manual, nor for incidental or consequential damages occurring in connection with the furnishing, performance, or use of these materials

1. SAFETY PRECAUTIONS

AERCO Benchmark Low NOx gas fired boilers are modulating input devices that require an adequate volume of natural gas at constant pressure for proper operation. The gas requirements specified in this document must be satisfied to ensure efficient combustion. Designers and installers must adhere to the AERCO specifications and those of the local authorities having jurisdiction. A thorough understanding and knowledge of these guidelines is required for the successful design and installation of Benchmark Low NOx series boilers.

1.1. Gas Train Components

AERCO Benchmark gas-fired boilers are equipped with standard UL approved/FM compliant gas trains. These gas trains are factory tested and fired, with a minimum number of modular components. The gas train components have been designed to operate at high combustion efficiencies by closely controlling both the volume and air/fuel mixture to the burner. The major internal gas train components are:

- * **SAFETY SHUT OFF VALVE (SSOV) With BUILT-IN SUPPLY GAS REGULATOR** - An electro-hydraulic gas valve, containing a proof of closure switch, is utilized to stop fuel from flowing into the gas train of the boiler. This is a 100% tight shutoff device with a visible window indicator showing valve position. Reliable, and a standard industry component, this valve is factory piped with a low gas pressure switch on the inlet side of the valve which monitors the manifold pressure for minimum supply conditions. There is also a high gas pressure switch installed on the outlet side of the gas valve, which shuts down the boiler if gas manifold pressures exceed maximum conditions. On all BMK 750 to BMK 3000 models, the actuator has a built-in regulator that replaces the need for an external supply regulator for installations that have supply pressure of up to **14.0" W.C. (3.49 kPa)**. This does not apply to the BMK 6000 units, which have a minimum supply pressure of **14" W.C. (3.49 kPa)**. For installations that have supply pressure greater than 14.0" W.C., see Section 2 - Gas Pressure Requirements.
- * **AIR/FUEL VALVE** - The air/fuel valve controls the volume and mixture of air and fuel in perfect proportion throughout the entire modulation range of the boiler. The valve utilizes one common shaft to simultaneously vary the gas port area and air volume. The gas portion of the valve is a slide port type valve with linear proportion-to-position characteristics. The air side uses a butterfly type valve for adjusting the air volume. The driver of the valve shaft is a precision stepping motor which provides continuous positioning from full input to minimum fire. The air/fuel valve also contains two proof-of-position switches.
- * **CAST ALUMINUM BLOWER ASSEMBLY** - A cast aluminum pre-mix blower ensures the precise mixing of air and fuel prior to entering the burner thereby providing controlled combustion.
- * **LOW NOx BURNER** – The burner provides the actual point of air/fuel contact and combustion into the cylindrical combustion/heat exchanger. Fabricated from metal fiber mesh covering a stainless steel body, the burner is stable throughout the entire input range of the boiler. The spark igniter and flame detector for the combustion supervision system are part of this assembly. The burner is easily removable from the boiler.

2. GAS PRESSURE REQUIREMENTS

AERCO Benchmark Low NOx series boilers require a stable natural gas and propane input pressure. A low supply gas pressure switch in each gas train prevents the boiler from operating without sufficient pressure. The allowable gas inlet pressure range when firing at maximum input is:

Table 1: Allowable Gas Inlet Pressure

Model	NATURAL GAS		PROPANE	
	Minimum	Maximum	Minimum	Maximum
BMK 750	4.0" W.C. (1.00 kPa)	14.0" W.C. (3.49 kPa)	7.0" W.C. (1.74 kPa)	14.0" W.C. (3.49 kPa)
BMK 1000	4.0" W.C. (1.00 kPa)	14.0" W.C. (3.49 kPa)	11.0" W.C. (2.74 kPa)	16.0" W.C. (3.99 kPa)
BMK 1500/2000	4.0" W.C. (1.00 kPa)	14.0" W.C. (3.49 kPa)	4.0" W.C. (1.00 kPa)	14.0" W.C. (3.49 kPa)
BMK 2500/3000	4.0" W.C. (1.00 kPa)	14.0" W.C. (3.49 kPa)	4.0" W.C. (1.00 kPa)	14.0" W.C. (3.49 kPa)
BMK 5000/6000	14.0" W.C. (3.49 kPa)	2.0 psig (13.8 kPa)	10.5" W.C. (2.62 kPa)	2.0 psig (13.8 kPa)

NOTE:

The BMK 6000 may be operated with inlet pressures *less* than 14 inches W.C. (13.8 kPa) but will derate by approximately 265,000 BTU/Hr (77.7 kw) per inch (25.4 mm) under 14 inch W.C. (13.8 kPa). The **absolute minimum gas pressure** while in operation is **11 inches W.C. (0.3974 psig)**.

Gas pressure must be measured when the unit is in operation (firing). Measure the gas pressure with a manometer at the 1/8" (3.18 mm) NPT ball valve provided at the SSOV inlet. In a multiple boiler installation, gas pressure must initially be set for single boiler operation, and then the remaining boilers must be staged on at full fire, to insure gas pressures never fall below the supply gas pressure when the single unit was firing.

As with all other BMK sizes, the Benchmark BMK 6000 Model has a low supply gas pressure switch in the gas train to prevent operation without sufficient gas pressure.

An external isolation valve must be installed at each Benchmark boiler, as shown in Diagram 1, below. This isolation valve is supplied with the boiler. For installations that have greater than 14.0" W.C. (3.49 kPa) supply pressure, an external lock-up type regulator must be installed downstream of the isolation valve. The lock-up type regulator(s) must be sized as follows:

Table 2: Lock-Up Regulator Sizing

Boiler Size (MBH)	Required Volume	
	CFH	(m ³ /HR)
750	750 – 850	(21.2 – 24.1)
1000	1000 – 1200	(28.3 – 34.0)
1500	1500 – 1750	(42.5 – 49.6)
2000	2000 – 2300	(56.6 – 65.1)
2500	2500 – 2850	(70.8 – 80.7)
3000	3000 – 3400	(85.0 – 96.3)
5000	5000 – 5450	(141.6 – 154.3)
6000	6000 – 6500	(169.9 – 184.1)

External gas regulators are self-contained with tapped diaphragm vent ports allowing the diaphragm to change its position as required. These vents typically require piping to the outside. For details, see section 8 Venting of Gas Supply Regulators, below. The SSOV/Regulator in the gas train is factory piped and does not require any vent piping.

CAUTION!

AERCO BOILERS MUST BE ISOLATED FROM THE SYSTEM WHEN LEAK TESTING.

Drip legs are typically required at the gas supply of each boiler to prevent any dirt, weld slag, or debris from entering the boiler gas train inlet pipe. When multiple boilers are installed, some utilities and local codes require a full size drip leg on the main gas supply line in addition to the drip leg at each unit. The bottom of the gas drip leg(s) should be removable without disassembling any gas piping. The weight of the gas pipe must not be supported from the bottom of the drip leg. The drip leg(s) must not be used to support any or part of the gas piping.

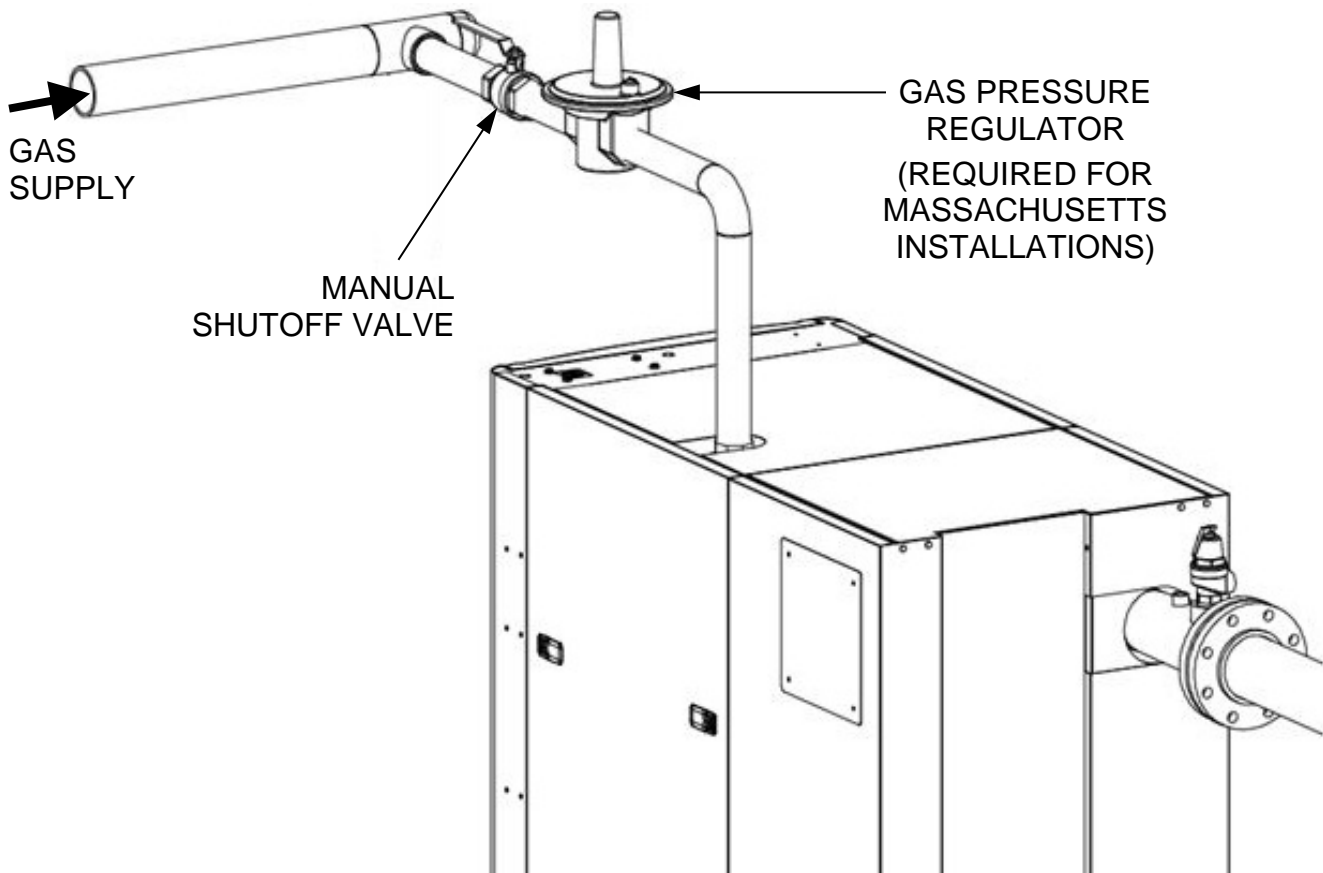


Diagram 1: Single Boiler Gas Pipe Connections (BMK 2500 Shown)

3. CUSTOM GAS TRAINS

Some utilities, insurance carriers, and industrial customers have special requirement gas components on high input devices that are beyond what is normally supplied with AERCO boilers. Secondary shutoffs, high or low pressure operators, and external regulators are typical of the requirements of gas utilities. It is mandatory that a designer or installer comply with these requirements. AERCO assumes no liability when these requirements are not satisfied for any location or installation. Contact your local gas utility for their specific requirements before installing AERCO equipment. Special gas trains with a double block and bleed (DBB) configuration (formerly

IRI) are available from AERCO.

The minimum gas inlet pressure requirements for natural gas (N.G.) and propane (LPG) are as follows:

Table 3: Minimum Gas Inlet Pressure Requirements for Natural Gas and Propane

	BMK 750		BMK 1000		BMK 1500		BMK 2000	
Gas Train	N.G.	LPG	N.G.	LPG	N.G.	LPG	N.G.	LPG
DBB (IRI)	4.5" W.C. (1.12 kPa)	N/A	4.5" W.C. (1.12 kPa)	N/A	4.5" W.C. (1.12 kPa)	N/A	4.5" W.C. (1.12 kPa)	N/A
Dual Fuel	N/A	N/A	N/A	N/A	6.0" W.C. (1.49 kPa)	4.0" W.C. (1.0 kPa)	8.5" W.C. (2.12 kPa)	4.0" W.C. (1.0 kPa)
Dual Fuel DBB (IRI)	N/A	N/A	N/A	N/A	6.0" W.C. (1.49 kPa)	4.0" W.C. (1.0 kPa)	8.5" W.C. (2.12 kPa)	4.0" W.C. (1.0 kPa)

Table 3 - Continued

	BMK 2500		BMK 3000		BMK 5000		BMK 6000	
Gas Train	N.G.	LPG	N.G.	LPG	N.G.	LPG	N.G.	LPG
DBB (IRI)	4.5" W.C. (1.12 kPa)	N/A	4.5" W.C. (1.12 kPa)	N/A	14" W.C. (3.49 kPa)	10.5" W.C. (2.62 kPa)	14" W.C. (3.49 kPa)	10.5" W.C. (2.62 kPa)
Dual Fuel	8.5" W.C. (2.12 kPa)	4.0" W.C. (1.0 kPa)	8" W.C. (1.99 kPa)	4" W.C. (1.0 kPa)	14" W.C. (3.49 kPa)	10.5" W.C. (2.62 kPa)	14" W.C. (3.49 kPa)	10.5" W.C. (2.62 kPa)
Dual Fuel DBB (IRI)	8.5" W.C. (2.12 kPa)	4.0" W.C. (1.0 kPa)	8" W.C. (1.99 kPa)	4" W.C. (1.0 kPa)	14" W.C. (3.49 kPa)	10.5" W.C. (2.62 kPa)	14" W.C. (3.49 kPa)	10.5" W.C. (2.62 kPa)

4. GAS PIPING

All gas piping and components must comply with NFPA local codes, and utility requirements minimum. Only gas approved fittings, valves, or pipe should be utilized.

Standard industry practice for gas piping is Schedule 40 iron pipe and fittings. All high and low gas pressure piping systems must comply with local utility and building codes.

Assembled piping must be clean of all debris, pipe chips and foreign material to prevent any from entering the boiler's gas train. Piping must be tested as prescribed in NFPA 54. Equipment must be isolated before testing any piping system over the allowable pressure. **DO NOT EXCEED 14.0" W.C. (3.49 kPa) on** the inlet side of the Benchmark boiler at any time for BMK 750 through BMK 3000 Models. For BMK 6000 boilers, **DO NOT EXCEED 2.0 P.S.I. (13.795 kPa)** on the inlet side of the boiler at any time.

5. GAS SUPPLY MAIN SIZING

Gas pipe sizing, for either a single or multiple boiler installation, must be sized for a **maximum pressure drop of 0.3" W.C. (75 Pa) from the source to the final boiler**. The maximum gas flow rate required is the sum of the maximum inputs of each unit divided by the heat of combustion of the fuel supplied at the location, (approximately 1,030 BTU per cubic foot [38.35 megajoule/cubic meter] for natural gas or 2,520 BTU per cubic foot [93.83 megajoule/cubic meter] for propane gas). The fuel supplier or utility should be consulted to confirm that sufficient volume and normal pressure is provided to the building at the discharge side of the gas meter or supply pipe. For existing installations with gas equipment, gas pressure must be measured with a manometer to be certain sufficient pressure is available. Before sizing gas piping, a survey of all connected gas devices must be made. Gas piping supplying more than one gas device must be able to handle the

total connected input within the allowable gas pressure drop. The allowable minimum and maximum gas pressure for each device must be considered. Whenever the minimum and maximum gas pressures vary between devices, gas pressure regulators at each unit must be installed to allow regulation at any individual unit. Gas pressure must never exceed the maximum allowable rating of any connected device.

The total length of gas piping as well as fitting pressure drop must be considered when sizing the gas piping. Total equivalent length must be calculated from the meter or source location to the last boiler connected on the header. The values in the Gas Piping Tables 4, 5 and 6 (in section 7, below), which contain data extracted from NFPA 54, must be used as a *minimum guideline*. Gas pipe size must be selected on the total *equivalent* length from the appropriate pressure table. The gas volume for CFH (m³/hr) flow will be the input divided by the calorific value of the fuel to be supplied.

6. GAS HEADER SIZING

Main supply gas pipe sizing must be developed for the total plant. Boiler gas manifold piping must be sized based on the volume requirements and lengths between boilers and the fuel main. Header sizes can be either full size or stepped in size as units are connected. A typical gas piping header diagram for a 4-module Benchmark Boiler Plant is illustrated in Diagram 2.

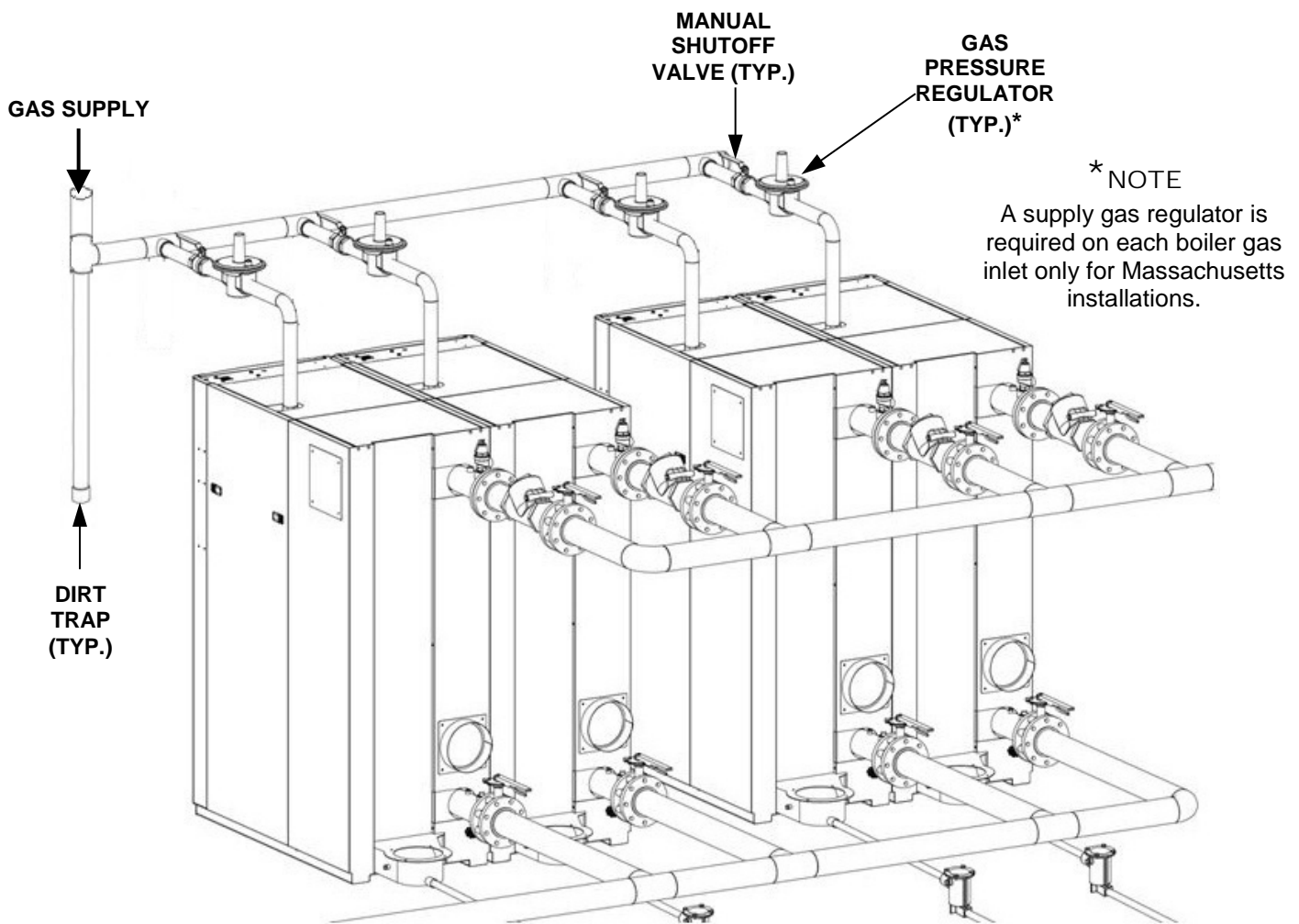


Diagram 2: Typical Multiple Boiler Manifold Construction

*Based on Table 4 on the following pages for natural gas, 0.6 specific gravity, 1,000 CFH (28 m³/hr) / unit, actual header sizes will vary with length of pipe run and fittings employed. For propane gas (1.6 specific gravity, 2,520 BTU/FT³) header sizing, consult NFPA 54.

If supply gas pressure exceeds **14.0" W.C. (3.49 kPa)**, a single lock-up regulator in the header, or individual lock-up regulators in each unit must be used to bring the gas pressure down to **14.0" W.C. (3.49 kPa)**. The header should be located above or behind boiler. Gas piping should not be installed directly over top or front of any part of boiler. Sufficient clearances for maintenance are required.

7. GAS PIPING TABLES (Imperial Units)

The data in the following pipe and vent sizing tables have been extracted from the National Fire Protection Association Article 54 (NFPA 54)

TABLE 4: Maximum Capacity of Pipe (Imperial Units)

In Cubic Feet of Gas per Hour For Gas Pressures of 0.5 PSI or Less and a Pressure Drop of 0.3 inch Water Column														
Nominal Iron Pipe Size in Inches	Internal Diameter in Inches	Total Equivalent Length of Pipe (Feet)												
		10	20	30	40	50	60	70	80	90	125	150	175	200
2.00	2.067	3,050	2,100	1,650	1,450	1,270	1,150	1,050	990	930	780	710	650	610
2.50	2.469	4,800	3,300	2,700	2,300	2,000	1,850	1,700	1,600	1,500	1,250	1,130	1,050	980
3.00	3.068	8,500	5,900	4,700	4,100	3,600	3,250	3,000	2,800	2,600	2,200	2,000	1,850	1,700
4.00	4.026	17,500	12,000	9,700	8,300	7,400	6,800	6,200	5,800	5,400	4,500	4,100	3,800	3,500

TABLE 5: Pipe Sizing Table for 1 Pound Pressure (Imperial Units)

Capacity of Pipes of Different Diameters and Lengths In Cubic Feet per Hour with a 10% Pressure Drop and a Gas of 0.6 Specific Gravity										
Pipe Size of Schedule 40 Standard Pipe in Inches	Internal Diameter in Inches	Total Equivalent Length of Pipe (Feet)								
		50	100	150	200	250	300	400	500	
2.00	2.067	4245	2918	2343	2005	1777	1610	1378	1222	
2.50	2.469	6766	4651	3735	3196	2833	2567	2197	1947	
3.00	3.068	11962	8221	6602	5650	5008	4538	3884	3442	
3.50	3.548	17514	12037	9666	8273	7332	6644	5686	5039	
4.00	4.026	24398	16769	13466	11525	10214	9255	7921	7020	
5.00	5.047	44140	30337	24362	20851	18479	16744	14330	12701	
6.00	6.065	71473	49123	39447	33762	29923	27112	23204	20566	
8.00	7.981	146849	100929	81049	69368	61479	55705	47676	42254	

TABLE 6: Pipe Sizing Table for an Initial Pressure of 2.0 PSI (Imperial Units)

Capacity of Pipes of Different Diameters and Lengths In Cubic Feet per Hour with a 10% Pressure Drop and a Gas of 0.6 Specific Gravity									
Pipe Size of Schedule 40 Standard Pipe in Inches	Internal Diameter in Inches	Total Equivalent Length of Pipe (Feet)							
		50	100	150	200	250	300	400	500
2.00	2.067	6589	4528	3636	3112	2758	2499	2139	1896
2.50	2.469	10501	7217	5796	4961	4396	3983	3409	3022
3.00	3.068	18564	12759	10246	8769	7772	7042	6027	5342
3.50	3.548	27181	18681	15002	12840	11379	10311	8825	7821
4.00	4.026	37865	26025	20899	17887	15853	14364	12293	10895
5.00	5.047	68504	47082	37809	32359	28680	25986	22240	19711
6.00	6.065	110924	76237	61221	52397	46439	42077	36012	31917

TABLE 7: Pipe Sizing Table for an Initial Pressure of 5.0 PSI (Imperial Units)

Capacity of Pipes of Different Diameters and Lengths In Cubic Feet per Hour with a 10% Pressure Drop and a Gas of 0.6 Specific Gravity									
Pipe Size of Schedule 40 Standard Pipe in Inches	Internal Diameter in Inches	Total Equivalent Length of Pipe (Feet)							
		15.24	30.48	45.72	60.96	76.2	91.44	121.92	152.4
2.00	2.067	11786	8101	6505	5567	4934	4471	3827	3391
2.50	2.469	18785	12911	10368	8874	7865	7126	6099	5405
3.00	3.068	33209	22824	18329	15687	13903	12597	10782	9556
3.50	3.548	48623	33418	26836	22968	20365	18444	15786	13991
4.00	4.026	67736	46555	37385	31997	28358	25694	21991	19490
5.00	5.047	122544	84224	67635	57887	51304	46485	39785	35261
6.00	6.065	198427	136378	109516	93732	83073	75270	64421	57095

8. GAS PIPING TABLES (Metric Units)

The data in the following pipe and vent sizing tables have been extracted from the National Fire Protection Association Article 54 (NFPA 54)

TABLE 4: Maximum Capacity of Pipe (Metric Units)

in Cubic Meters of Gas per Hour (m ³ /hr) For Gas Pressures of 3.45 kPa or Less and a Pressure Drop of 75 Pa														
Nominal Iron Pipe Size in mm	Internal Diam. in mm	Total Equivalent Length of Pipe (Meters)												
		3.05	6.1	9.14	12.19	15.24	18.28	21.33	24.38	27.43	38.1	45.72	53.34	60.96
50.80	52.50	86.37	59.47	46.72	41.06	35.96	32.56	29.73	28.03	26.33	22.09	20.10	18.41	17.27
63.50	62.71	135.92	93.45	76.46	65.13	56.63	52.39	48.14	45.31	42.48	35.40	32.00	29.73	27.75
76.20	77.93	240.69	167.07	133.09	116.10	101.94	92.03	84.95	79.29	73.62	62.30	56.63	52.39	48.14
101.60	102.26	495.54	339.80	274.67	235.03	209.54	192.55	175.56	164.24	152.91	127.43	116.10	107.60	99.11

TABLE 5: Pipe Sizing Table for for 6.89 kPa Pressure: (Metric Units)

Capacity of Pipes of Different Diameters and Lengths In Cubic Meters per Hour with a 10% Pressure Drop and a Gas of 0.6 Specific Gravity									
Pipe Size of Schedule 40 Standard Pipe in mm	Internal Diam. in mm	Total Equivalent Length of Pipe (Meters)							
		15.24	30.48	45.72	60.96	76.2	91.44	121.92	152.4
50.80	52.50	120.21	82.63	66.35	56.78	50.32	45.59	39.02	34.60
63.50	62.71	191.59	131.70	105.76	90.50	80.22	72.69	62.21	55.13
76.20	77.93	338.73	232.79	186.95	159.99	141.81	128.50	109.98	97.47
88.90	90.12	495.94	340.85	273.71	234.27	207.62	188.14	161.01	142.69
101.60	102.26	690.88	474.85	381.32	326.35	289.23	262.07	224.30	198.79
127.00	128.19	1249.91	859.05	689.86	590.44	523.27	474.14	405.78	359.65
152.40	154.05	2023.90	1391.02	1117.02	956.04	847.33	767.73	657.07	582.37
203.20	202.72	4158.32	2858.01	2295.06	1964.29	1740.90	1577.40	1350.04	1196.51

TABLE 6: Pipe Sizing Table for an Initial Pressure of 13.79 kPa: (Metric Units)

Capacity of Pipes of Different Diameters and Lengths In Cubic Feet per Hour with a 10% Pressure Drop and a Gas of 0.6 Specific Gravity									
Pipe Size of Schedule 40 Standard Pipe in mm	Internal Diameter in mm	Total Equivalent Length of Pipe (Meters)							
		15.24	30.48	45.72	60.96	76.2	91.44	121.92	152.4
50.80	52.50	186.58	128.22	102.96	88.12	78.10	70.76	60.57	53.69
63.50	62.71	297.36	204.36	164.13	140.48	124.48	112.79	96.53	85.57
76.20	77.93	525.68	361.30	290.14	248.31	220.08	199.41	170.67	151.27
88.90	90.12	769.68	528.99	424.81	363.59	322.22	291.98	249.90	221.47
101.60	102.26	1072.22	736.95	591.80	506.51	448.91	406.75	348.10	308.51
127.00	128.19	1939.83	1333.22	1070.64	916.31	812.13	735.85	629.77	558.16
152.40	154.05	3141.03	2158.80	1733.60	1483.73	1315.01	1191.49	1019.75	903.79

TABLE 7: Pipe Sizing Table for an Initial Pressure of 34.47 kPa: (Metric Units)

Capacity of Pipes of Different Diameters and Lengths In Cubic Feet per Hour with a 10% Pressure Drop and a Gas of 0.6 Specific Gravity									
Pipe Size of Schedule 40 Standard Pipe in mm	Internal Diameter in mm	Total Equivalent Length of Pipe (Meters)							
		15.24	30.48	45.72	60.96	76.2	91.44	121.92	152.4
50.80	52.50	333.74	229.40	184.20	157.64	139.72	126.61	108.37	96.02
63.50	62.71	531.93	365.60	293.59	251.29	222.71	201.79	172.71	153.05
76.20	77.93	940.38	646.31	519.02	444.21	393.69	356.71	305.31	270.60
88.90	90.12	1376.86	946.30	759.92	650.38	576.68	522.28	447.01	396.18
101.60	102.26	1918.08	1318.30	1058.63	906.06	803.01	727.58	622.72	551.90
127.00	128.19	3470.08	2384.97	1915.22	1639.19	1452.78	1316.32	1126.59	998.49
152.40	154.05	5618.86	3861.82	3101.16	2654.21	2352.38	2131.42	1824.21	1616.76

9. VENTING OF GAS SUPPLY REGULATORS

AERCO's general guidelines for venting of gas regulators are listed below. AERCO requires that these guidelines be followed to ensure the most reliable and proper operation of AERCO gas fired equipment. It is also required that you consult local codes and the gas regulator manufacturer for additional details. Always follow the most stringent guidelines available, including those listed below.

- When venting a gas supply regulator, the vent pipe must be no smaller than the regulator vent size.
- In a multiple unit installation, each regulator must have a separate vent line.
- Vent lines must not be manifolded together or with any other equipment at the site that also requires atmospheric vents.
- When sizing the vent, pipe diameters must be increased by one pipe diameter every 20 equivalent feet of pipe.

Each 90° elbow is equivalent to approximately:

- ⇒ 2.5 feet (0.76 m) for nominal pipe sizes of up to 3/4" (19 mm)
- ⇒ 4.5 feet (1.37 m) for nominal pipe sizes of up to 1-1/2" (38 mm)
- ⇒ 10.5 feet (3.2 m) for nominal pipe sizes of up to 4" (101 mm)

Each 45° elbow is equivalent to approximately:

- ⇒ 1 foot (0.3 m) for nominal pipe sizes of up to 3/4" (19 mm)
- ⇒ 2 feet (0.61 m) for nominal pipe sizes of up to 1-1/2" (38 mm)
- ⇒ 5 feet (1.52 m) for nominal pipe sizes of up to 4" (101 mm)

10. MULTIPLE UNIT INSTALLATIONS

The following points apply to sites that have multiple Benchmark units installed:

For Benchmark 750 to 3000 units:

- If inlet pressures are above **7" W.C. (1.74 kPa)** a gas pressure regulator is **highly recommended**.
- If inlet pressures are above **14" W.C. (3.49 kPa)** a gas pressure regulator is **mandatory**.

For Benchmark 6000 units:

- If inlet pressures are above **1 psi (6.89 kPa)**, a gas pressure regulator is **highly recommended**.
- If inlet pressures are above **2 psi (13.79 kPa)**, a gas pressure regulator is **mandatory**.

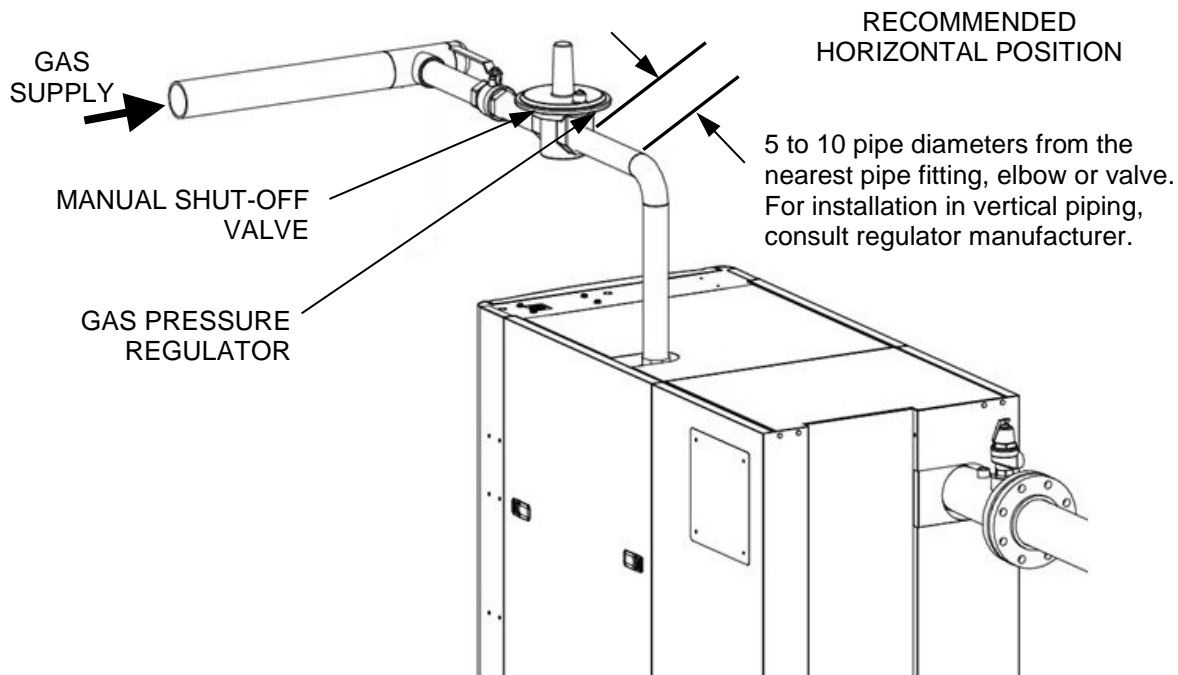


Diagram 3: Multiple Boiler Gas Pipe Connections Guidelines (BMK 2500 Shown)

The following are AERCO's recommendations for installation of gas pressure regulator, unless superseded by state and local codes and the regulator manufacturer's specifications:

- Horizontal installation of gas pressure regulators is recommended unless stated otherwise by the regulator manufacturer. Consult the manufacturer for additional recommendations and installation options.
- For Benchmark 750 & 1000 units, when installed horizontally the required distance between the gas pressure regulator and the nearest pipe fitting, elbow or valve is **20 inches (51 cm)**.
- For Benchmark 1500 through 6000 units, when installed horizontally, the required distance between the gas pressure regulator and the nearest pipe fitting, elbow or valve is **5 to 10 pipe diameters**, as shown in Diagram 3, above.
- When pipe size reduction is required, use only bell reducers.

CHANGE LOG:

DATE	DESCRIPTION	CHANGED BY
02/26/2016	Rev K: 934-100: Added note to section 2, minimum BMK 6000 gas pressure 11" W.C. is allowable, but unit will derate by 265,000 BTU/hr. per inch under 14" W.C. DIR 318: Changed wording to clarify AERCO requirements from steps that are optional, removed Table 4 in section 6 - GAS HEADER SIZING, renumbered remaining tables.	Chris Blair
12/01/2016	Rev-L: Reformatted per new design standard. Added metric equivalents for all applicable values, including tables.	Curtis Harvey