

Technical Data Sheet

Scale Reducer SR300

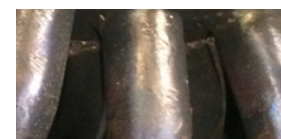
The AERCO Scale Reducer (Model SR300) Commercial Treatment System provides an economical and maintenance free treatment of hard water installations. The SR300 when combined with AERCO's scale-resistant water heater design not only prevents new scale build-up but also eliminates existing scale build-up. Furthermore, this dual solution is designed to maintain maximum operating efficiency by keeping the scale off of hot water piping, valves, recirculation lines and pumps, shower heads and other plumbing fixtures downstream of the heater.

AERCO Water Heaters are engineered to be scale resistant, but in regions with extreme hard water (>3.5 grains/gal), the Scale Reducer provides an added measure of protection against scale formation that could affect product efficiency.

The AERCO Scale Reducer uses a range of electronic frequencies to remove and eliminate limescale deposits. In extreme hard water installation areas, this will prolong water heater life and keep plumbing lines/ fixtures clean with no maintenance at all.



Before



After

Features

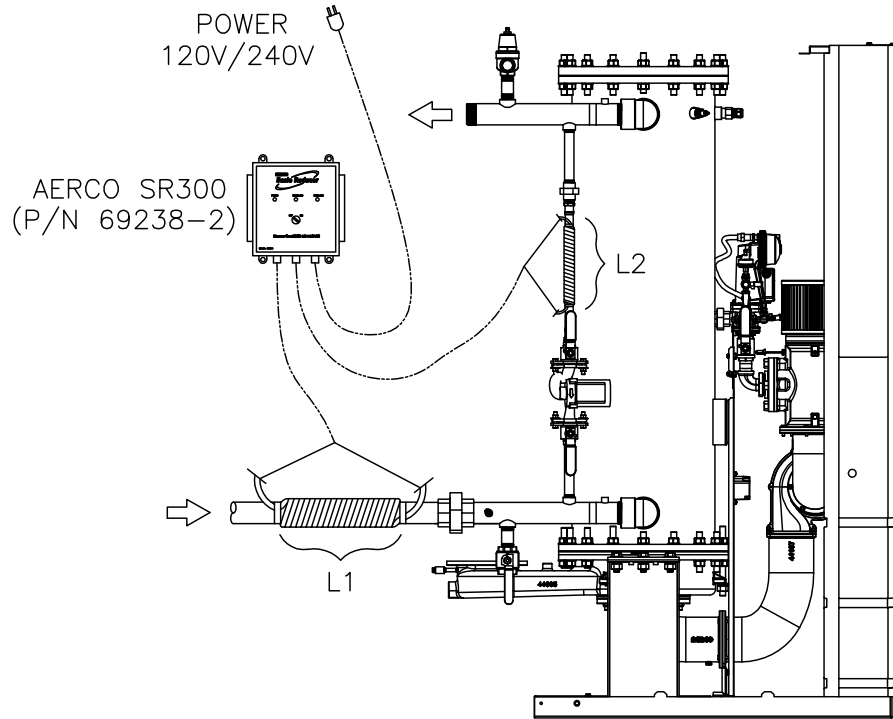
- Treats cold water main and Hot Water recirculation line
- Treats all non-ferrous pipe (Copper, PVC, SS, etc.)
- Sturdy, waterproof controller housing (NEMA 4X rated enclosure)
- Easy to Install, no plumbing needed
- Heat dissipating aluminum fins
- 10 foot power cord
- Ability to service two pipes
- No service or maintenance costs
- Estimated life of 10 to 15 or more years
- Standard 10-year full replacement warranty
- Eco-Friendly Technology

Specifications

Model	Dimensions	Volts	Power (Watts)	Freq. (Hz)	Weight, lbs
SR300	12" H x 12 ³ / ₄ " W x 7" D	120/240	70	50/60	12

Note: Each unit can service 1 or 2 pipes based on the specific application, pipe size and material.

Installation Drawing



INNOVATION UNIT
(COVERS AND PANELS REMOVED FOR CLARIFICATION)

Notes:

1. One Scale Reducer kit per one Innovation Water Heater (any size) treats water inlet and recirculation line.
2. Water inlet is 2" pipe size copper and the recirculation line is 3/4" pipe size copper. See TID-122 for L1 and L2 wrap requirements.