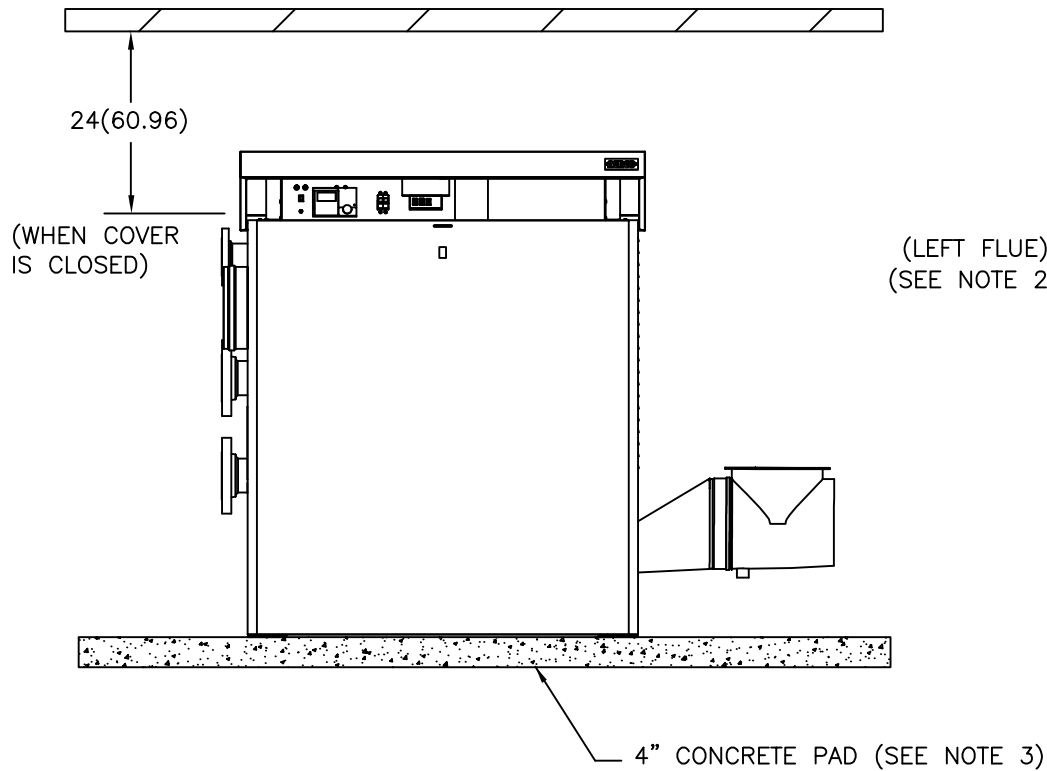
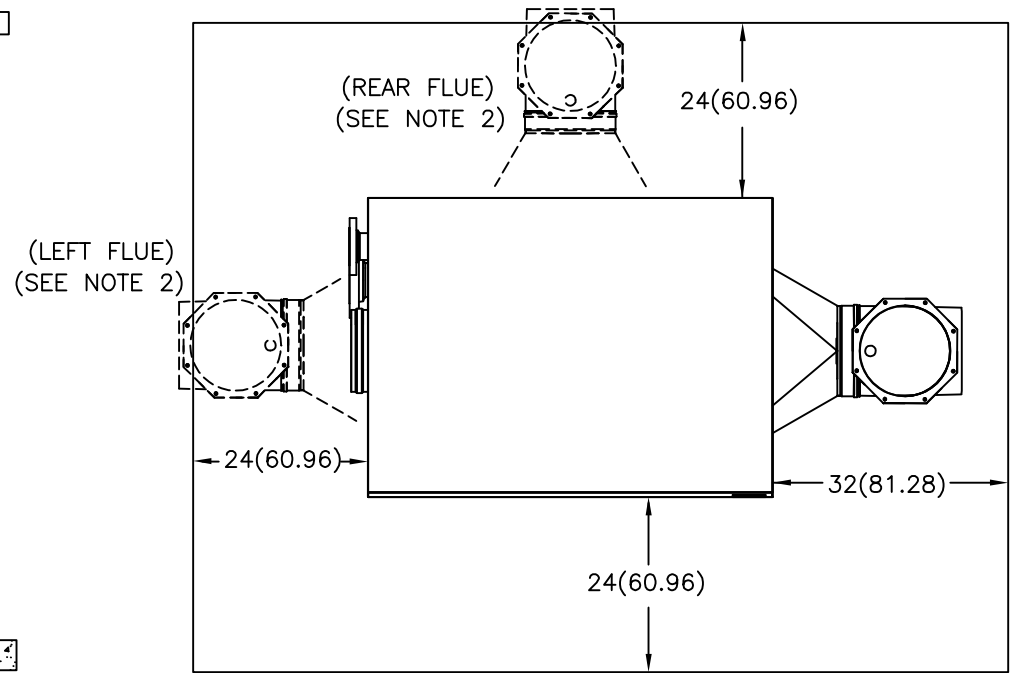


FRONT VIEW



TOP VIEW



MINIMUM INSTALLATION CLEARANCES TO ADJACENT CONSTRUCTION

RIGHT SIDE	32 (81.28)
LEFT SIDE	24 (60.96)
FRONT	24 (60.96)
REAR	24 (60.96)
TOP	24 (60.96)

NOTES:

- ALL DIMENSIONS SHOWN ARE IN INCHES (CENTIMETERS)
- STANDARD CONNECTIONS:
 - WATER AND AIR INTAKE COMPONENTS/CONNECTIONS ARE ON THE LEFT HAND SIDE ONLY.
 - VENT FLUE ON THE RIGHT HAND SIDE. FOR ALTERNATE LOCATIONS AS SHOWN WITH DOT LINES, USE 32"(81.28) FOR VENT FLUE AT ANY SIDE AS NEED AND 24"(60.96) ALL OTHERS.
- WHEN USING THE AERCO CONDENSATE NEUTRALIZER TANK, FOR PROPER CONDENSATE DRAINAGE, THE NEUTRALIZER TANK MUST BE INSTALLED IN A PIT OR THE BOILER AND THE AERCO CONDENSATE TRAP MUST BE ELEVATED HIGHER THAN 4" ABOVE THE FLOOR. SEE CONDENSATE TANK INSTRUCTIONS TID-0074 FOR DETAILS.

	100 CRITANI DRIVE BLAUVELT, NY 10913 aerco.com	
	MODULEX EXT 1500-3000/1530-3060 MBH GAS FIRED BOILER SINGLE UNIT INSTALLATION CLEARANCE	
DWN. BY <u>K.S.</u> DATE <u>080813</u> SCALE <u>NTS</u> REV. DATE <u>K.S. 020717</u>	SD-A-982	REV. B