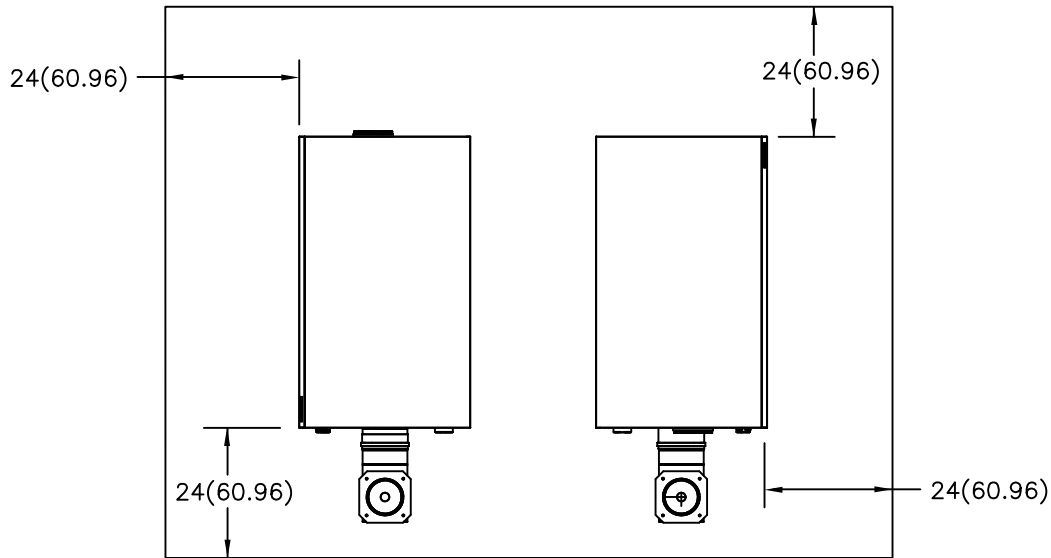
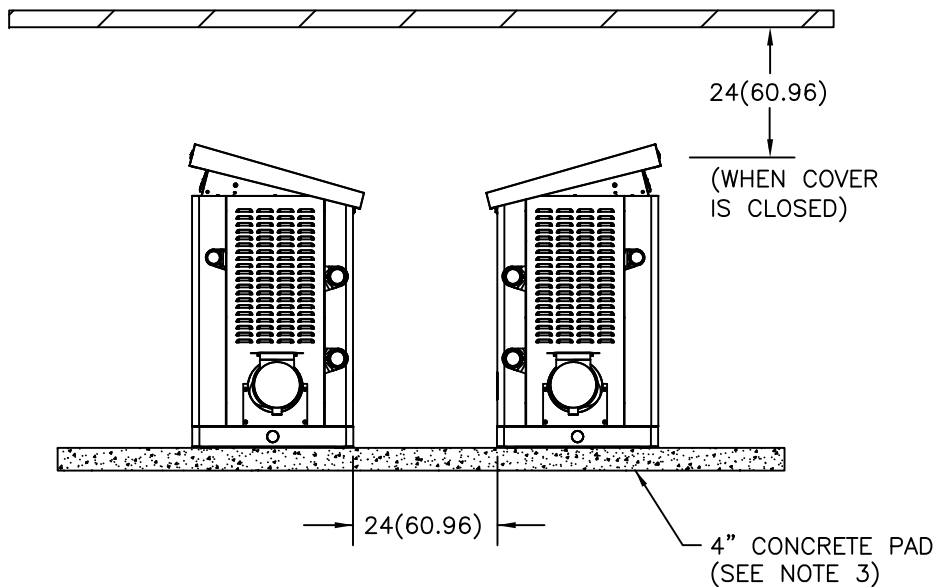


TOP VIEW




SIDE VIEW



NOTES:

1. ALL DIMENSIONS SHOWN ARE IN INCHES (CENTIMETERS)
2. STANDARD CONNECTIONS:
 - WATER, GAS AND EXHAUST ARE ON THE RIGHT HAND SIDE
 - AIR INTAKE IS ON THE LEFT HAND SIDE ONLY
3. WHEN USING THE AERCO CONDENSATE NEUTRALIZER TANK, FOR PROPER CONDENSATE DRAINAGE, THE NEUTRALIZER TANK MUST BE INSTALLED IN A PIT OR THE BOILER AND THE AERCO CONDENSATE TRAP MUST BE ELEVATED HIGHER THAN 4" ABOVE THE FLOOR. SEE CONDENSATE TANK INSTRUCTIONS TID-0074 FOR DETAILS.

 A WATTS Brand	100 CRITANI DRIVE BLAUVELT, NY 10913 aerco.com	
	MODULEX EXT 321-1123/450-1100 MBH GAS FIRED BOILER MULTIPLE UNIT INSTALLATION CLEARANCES (BACK-TO-BACK)	
DWN. BY <u>K.S.</u> DATE <u>070313</u> SCALE <u>NTS</u> REV. DATE <u>K.S. 020717</u>	SD-A-977	REV. B