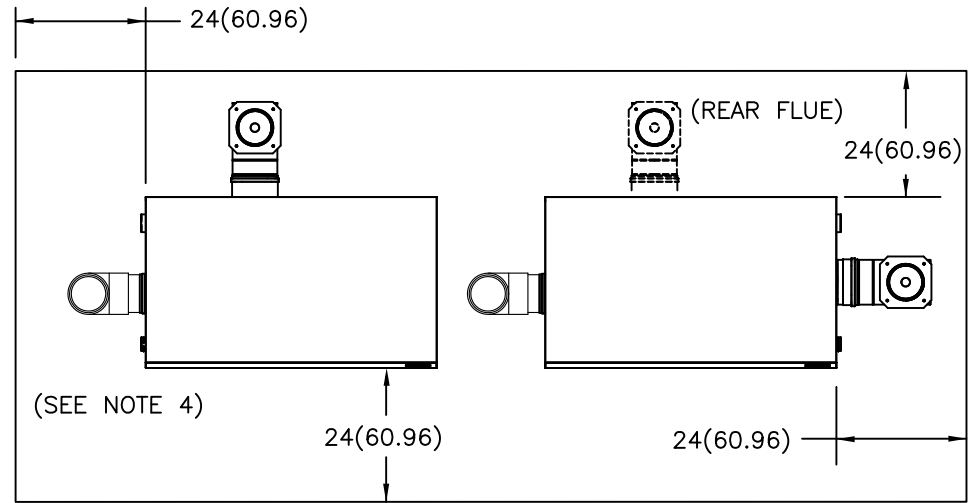
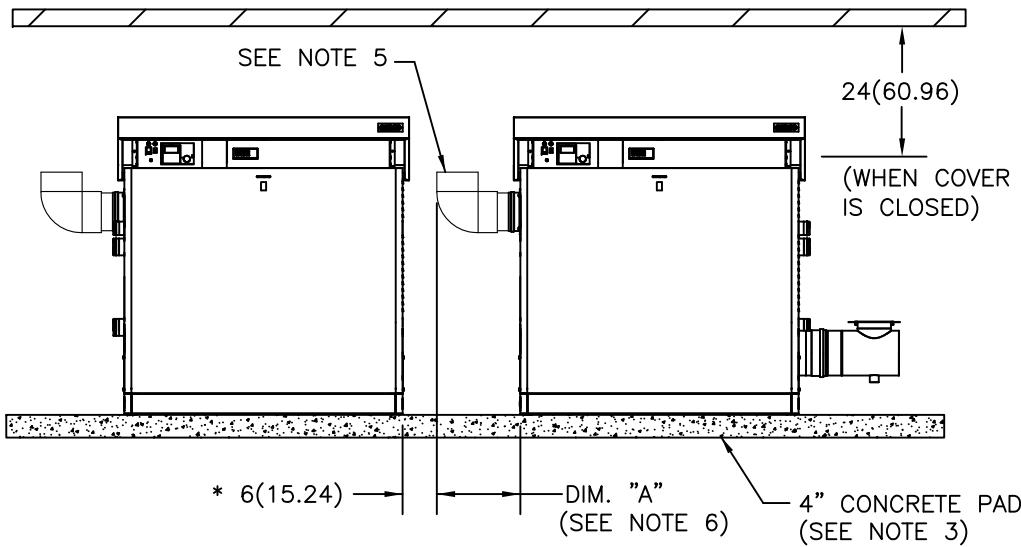
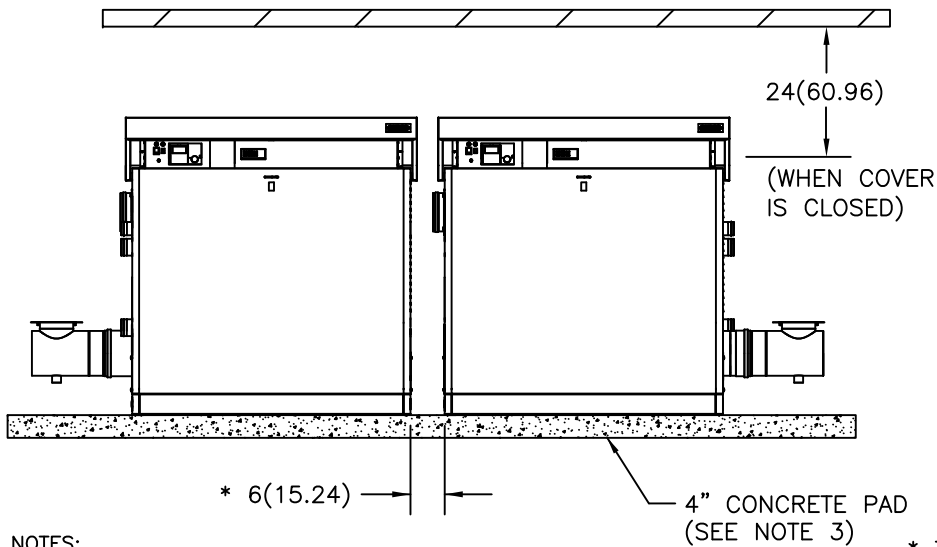


FOR SEALED COMBUSTION

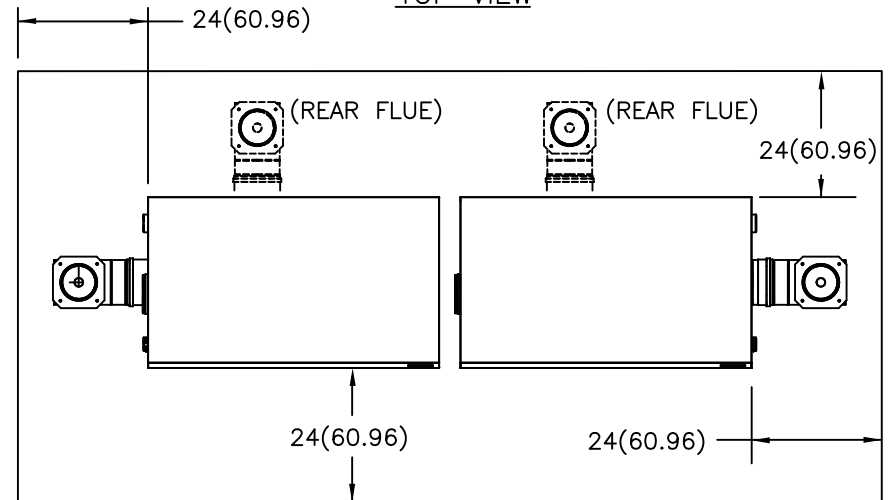


FOR NON-SEALED COMBUSTION

FRONT VIEW




TOP VIEW



NOTES:

1. ALL DIMENSIONS SHOWN ARE IN INCHES (CENTIMETERS)
2. STANDARD CONNECTIONS:
  - WATER, GAS AND EXHAUST ARE ON THE RIGHT HAND SIDE
  - AIR INTAKE IS ON THE LEFT HAND SIDE ONLY
3. WHEN USING THE AERCO CONDENSATE NEUTRALIZER TANK, FOR PROPER CONDENSATE DRAINAGE, THE NEUTRALIZER TANK MUST BE INSTALLED IN A PIT OR THE BOILER AND THE AERCO CONDENSATE TRAP MUST BE ELEVATED HIGHER THAN 4" ABOVE THE FLOOR. SEE CONDENSATE TANK INSTRUCTIONS TID-0074 FOR DETAILS.
4. WHEN UTILIZING SEALED COMBUSTION, LEFT HAND EXHAUST CONNECTION CAN NOT BE USED.
5. TYPICAL SEALED COMBUSTION INSTALLATION SHOWN.
6. INTAKE CONNECTION SIZES:
  - DIM. "A" IS 8.0" APPROX. FOR MODELS 321-641/450-600, USING 4" PIPING WITH TYPICAL 4" PVC ELBOW IS 6.85".
  - DIM. "A" IS 11.5" APPROX. FOR MODELS 802-1123/800-1100, USING 6" PIPING WITH TYPICAL 6" PVC ELBOW IS 10.63".

\* THE 6" CLEARANCE OPTION CAN ONLY BE EMPLOYED IN TWO UNIT SETS

		100 CRITANI DRIVE BLAUVELT, NY 10913 aerco.com	
MODULEX EXT 321-1123/450-1100 MBH GAS FIRED BOILER MULTIPLE UNIT INSTALLATION CLEARANCES			
DWN.BY <u>K.S.</u> DATE <u>052013</u>		REV.	
SCALE <u>NTS</u>		SD-A-968	
REV.DATE <u>K.S. 020717</u>		B	