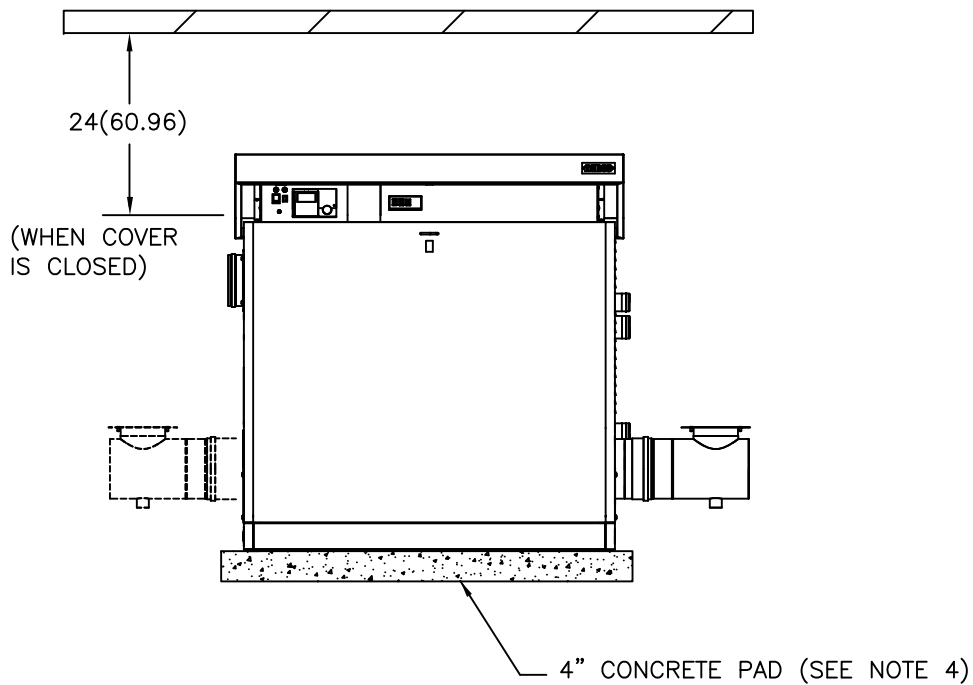
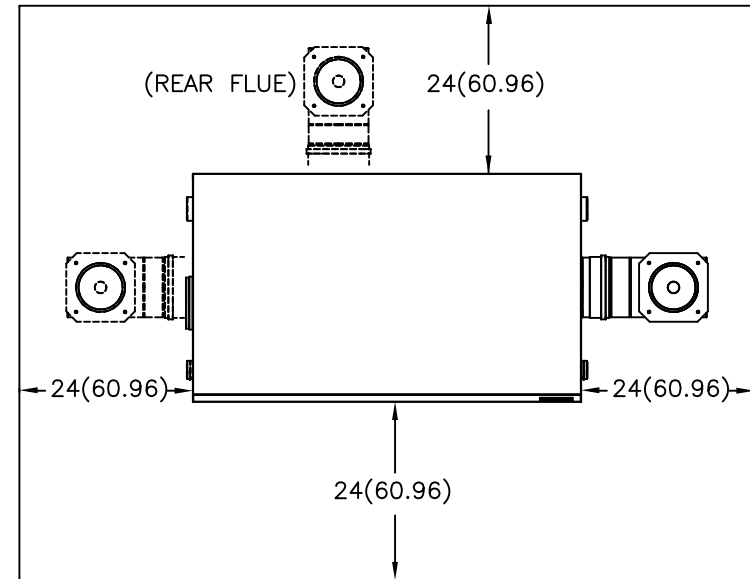


FRONT VIEW



TOP VIEW



RECOMMENDED SERVICE CLEARANCES TO ADJACENT CONSTRUCTION

SIDES	24(60.96)
FRONT	24(60.96)
REAR	24(60.96)
TOP	24(60.96)

NOTES:

1. ALL DIMENSIONS SHOWN ARE IN INCHES (CENTIMETERS)
2. STANDARD LOCATIONS FOR COMPONENTS/CONNECTIONS ARE ON THE RIGHT HAND SIDE. DOTTED LINES ARE ALTERNATE LOCATIONS.
3. WHEN USING ALTERNATE WATER CONNECTIONS, THE LEFT HAND AIR INTAKE CONNECTION CANNOT BE USED.
4. WHEN USING THE AERCO CONDENSATE NEUTRALIZER TANK, FOR PROPER CONDENSATE DRAINAGE, THE NEUTRALIZER TANK MUST BE INSTALLED IN A PIT OR THE BOILER AND THE AERCO CONDENSATE TRAP MUST BE ELEVATED HIGHER THAN 4" ABOVE THE FLOOR. SEE CONDENSATE TANK INSTRUCTIONS TID-0074 FOR DETAILS.

		100 CRITANI DRIVE BLAUVELT, NY 10913 aerco.com
MODULEX EXT 321-1123/450-1100 MBH GAS FIRED BOILER INSTALLATION CLEARANCES		
DWN.BY <u>K.S.</u> DATE <u>052013</u> SCALE <u>NTS</u> REV.DATE <u>K.S. 020717</u>	SD-A-967	REV. C