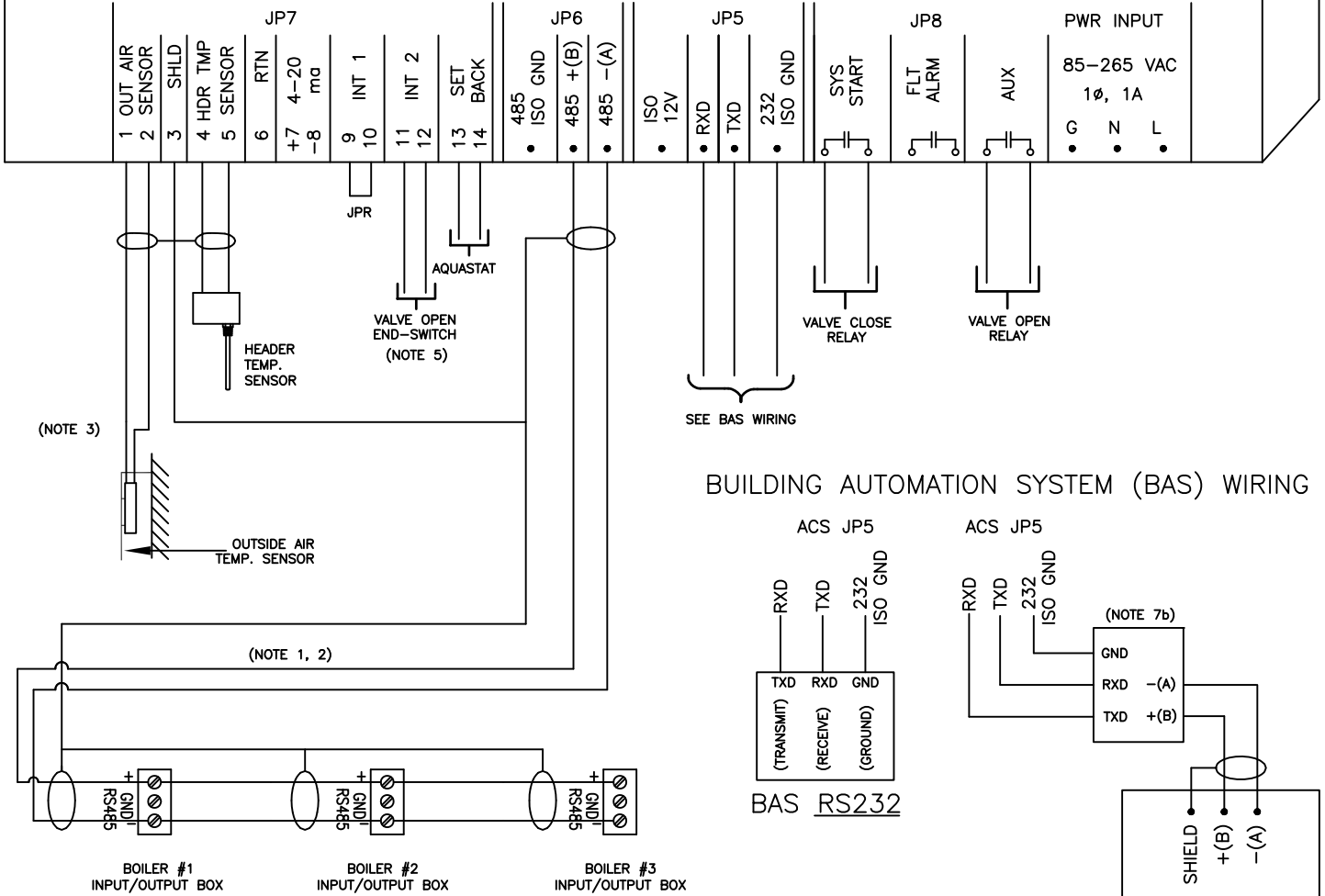
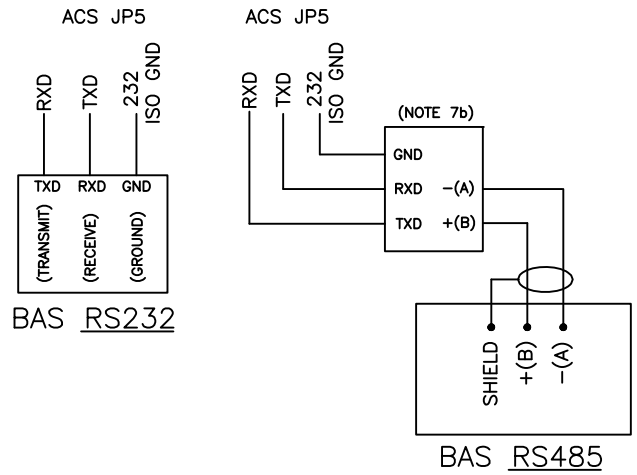


# AERCO CONTROL SYSTEM



## BUILDING AUTOMATION SYSTEM (BAS) WIRING



**NOTES**

1. WIRING TO BE SHIELDED TWISTED PAIR CABLE (BELDEN 9841 OR EQUIVALENT). TERMINATE SHIELDS AT THE SOURCES ONLY, DO NOT CONNECT AT THE BOILERS.
2. OUTDOOR AIR SENSOR IS USED ONLY FOR INDOOR/OUTDOOR RESET APPLICATIONS.
3. SEE COMBINATION HEATING/DOMESTIC WATER HEATING APPLICATIONS GUIDE TAG-0050 FOR COMPLETE APPLICATION DETAILS.
4. SEE SD-A-916 AND SD-A-915 FOR ASSOCIATED PIPING DIAGRAMS. THE COMBINATION SYSTEM PUMP MUST BE ENABLED/DISABLED BY THE BUILDING CONTROLS.
5. VALVE OPEN END-SWITCH ASSURES THERE IS WATER FLOW THROUGH B3 WHENEVER IT IS CALLED TO FIRE IN SPACE HEATING MODE.
6. ACS COMMUNICATES WITH BUILDING AUTOMATION SYSTEM (BAS) VIA RS232.
  - a. FOR BAS WITH RS232 COMMUNICATIONS, CONNECT THE BAS TRANSMIT (TXD) TO THE ACS RECEIVE (RXD) TERMINAL; CONNECT THE BAS RXD TERMINAL TO THE ACS TXD TERMINAL; CONNECT BAS GND TO ACS GND.
  - b. FOR BAS WITH RS485 COMMUNICATIONS, USE AN RS232/RS485 CONVERTER (AERCO P/N 124943) BETWEEN THE ACS AND BAS. FOLLOW WIRING INSTRUCTIONS SUPPLIED WITH P/N 124943.
7. SEE ACS MANUAL GF-131 FOR AVAILABLE METHODS OF ACTIVATING THE BIAS AND TERMINATION OF THE RS485 LOOP.

<b>AERCO INTERNATIONAL, INC.</b> NORTHVALE, NJ 07647		
ACS WIRING DIAGRAM (C-More SYSTEMS) DHW PRIORITY - COMBINATION SYSTEM PUMP ENABLED/DISABLED BY BAS		
DWN. BY <u>CZ</u> DATE <u>010612</u>		REV. <u>A</u>
SCALE <u>NTS</u>	SD-A-884	
APPD. _____ DATE _____		