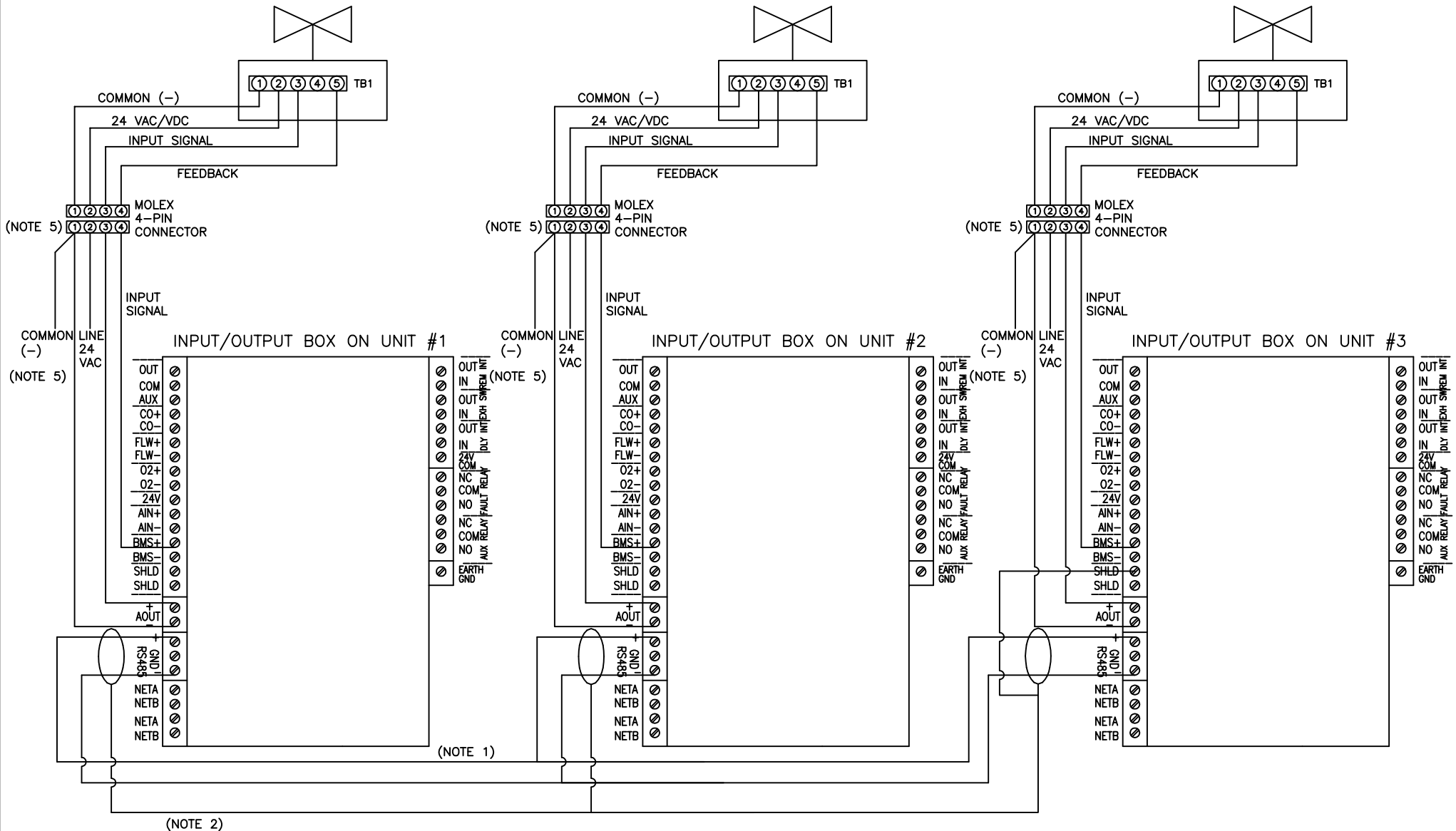


WATER HEATER #1 SEQUENCING VALVE

WATER HEATER #2 SEQUENCING VALVE

WATER HEATER #3 SEQUENCING VALVE



NOTES:

- 1) WIRING TO BE SHIELDED TWISTED PAIR CABLE (BELDEN 9841 OR EQUIVALENT).
- 2) TERMINATE SHIELDS ON ONE I/O BOX ONLY (EITHER OF THE END UNITS OF THE CHAIN).
- 3) ON THE CPU BOARD INSIDE THE C-MORE CONTROL PANEL OF THE FIRST UNIT ON THE CHAIN, TURN THE DIPSWITCH LABELED TERM TO THE "ON" POSITION.
- 4) ON THE CPU BOARD INSIDE THE C-MORE CONTROL PANEL OF THE LAST UNIT ON THE CHAIN, TURN THE DIPSWITCHES LABELED BIAS1, TERM, AND BIAS2 TO THE "ON" POSITION.
- 5) SEQUENCING VALVE POWER AND CONTROL WIRING IS SUPPLIED BY AERCO.

AERCO INTERNATIONAL, INC.
NORTHVALE, NJ 07647

C-MORE CONTROLS
ONBOARD WATER HEATER MANAGEMENT
FIELD WIRING DIAGRAM (24VAC)

DWN. BY <u>CZ</u> DATE <u>032212</u>	SD-A-878	REV. E
SCALE <u>NTS</u>		
APPD. _____ DATE _____		