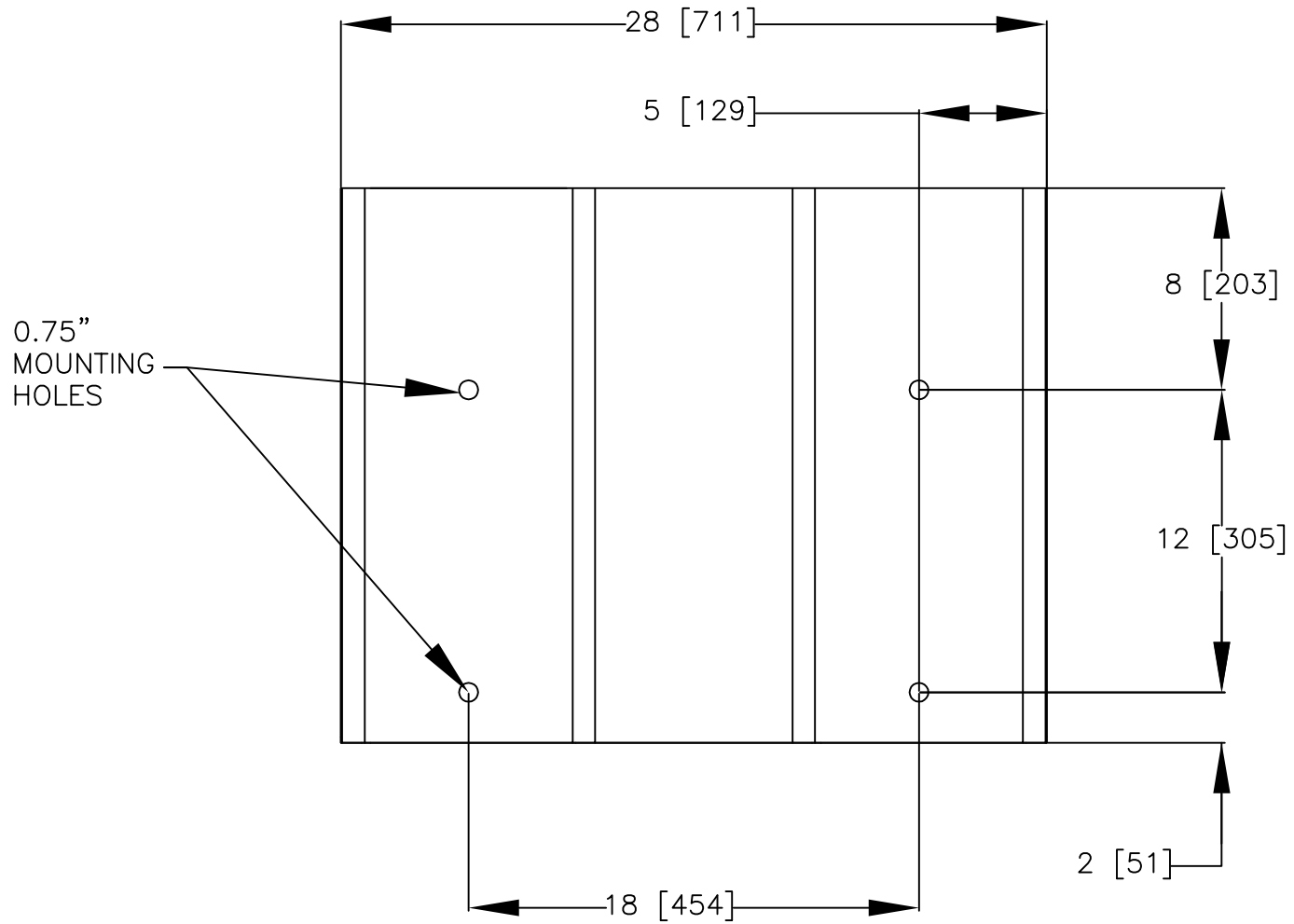



BASE FRONT



NOTES:

- 1) ALL HOLES ARE FLUSH WITH THE BOTTOM SURFACE OF THE FRAME
- 2) ALL DIMENSIONS SHOWN ARE IN INCHES (MILLIMETERS)

 100 ORITANI DRIVE BLAUVELT, NY 10913 <small>A WATTS Brand aercos.com</small>	
BENCHMARK & BENCHMARK® PLATINUM 750/1000 MBH GAS FIRED BOILERS ANCHOR BOLT LOCATION	
DWN. BY <u>PDR</u> DATE <u>050411</u> SCALE <u>NTS</u> APPD. _____ DATE _____	SD-A-873 REV B