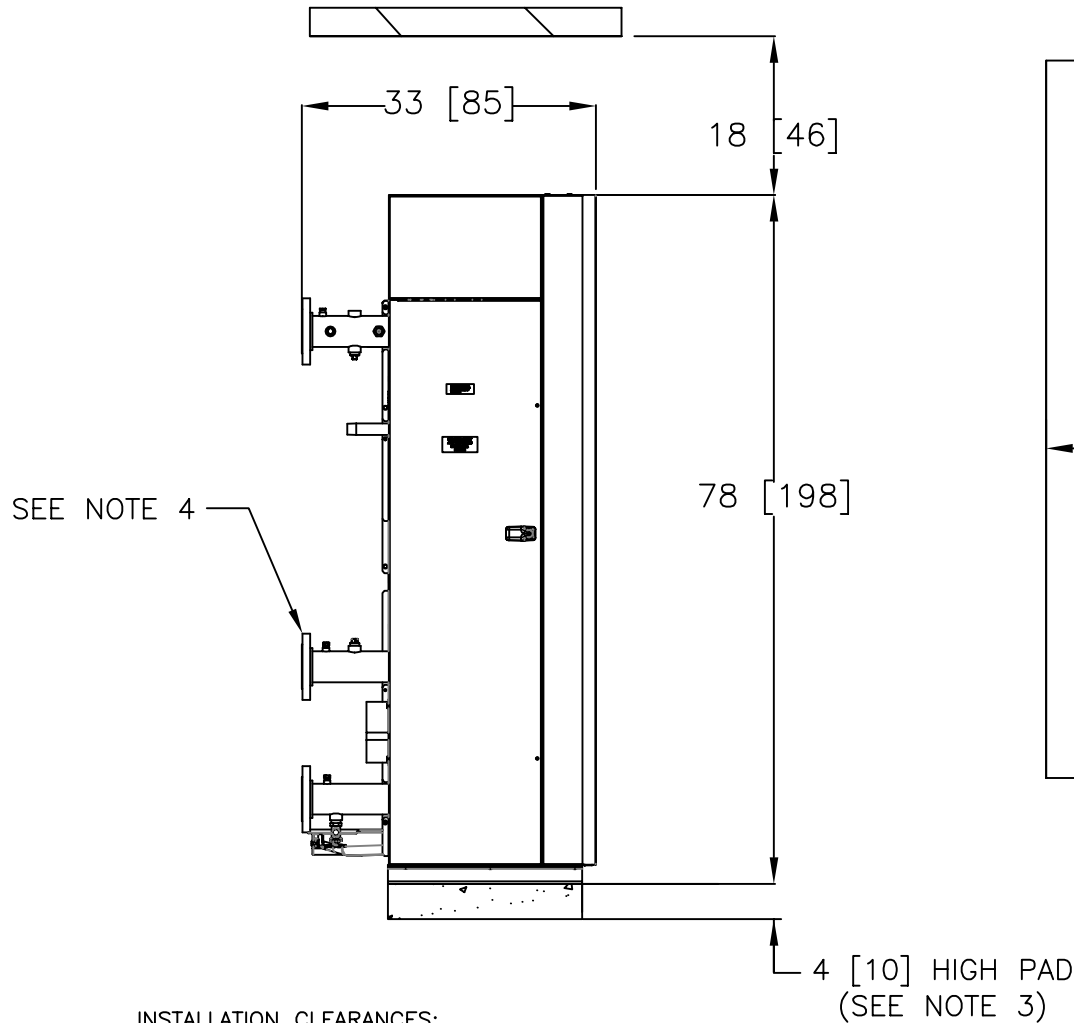
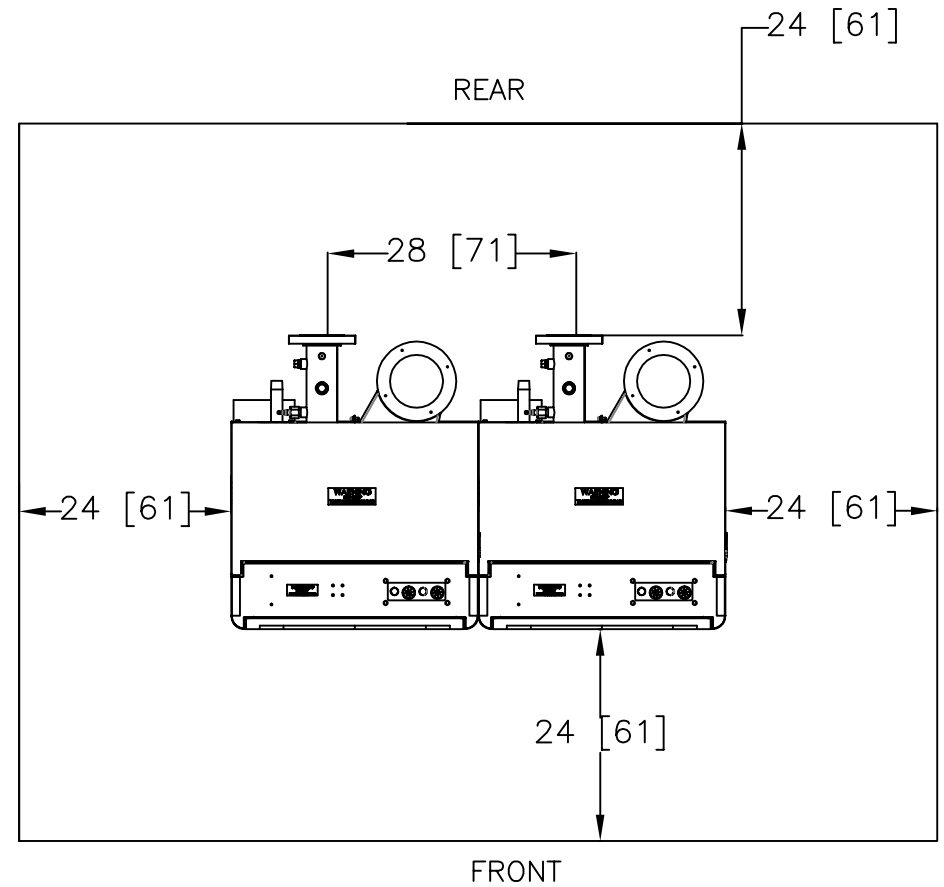


SIDE VIEW



REAR



INSTALLATION CLEARANCES:

- 1) THIS APPLIANCE MAY BE INSTALLED ON COMBUSTIBLE FLOORING
- 2) MINIMUM CLEARANCES TO ADJACENT CONSTRUCTION ARE AS FOLLOWS:

LEFT & RIGHT SIDES: 24"
 FRONT: 24"
 REAR: 24"
 CEILING HEIGHT: 100"

NOTE:

1. ALL DIMENSIONS SHOWN ARE IN INCHES (CENTIMETERS).
2. THE ZERO SIDE CLEARANCE OPTION CAN ONLY BE EMPLOYED IN TWO UNIT SETS. DOOR PANEL REMOVAL NOT REQUIRED FOR ZERO SIDE CLEARANCE.
3. WHEN USING THE AERCO CONDENSATE NEUTRALIZER TANK, FOR PROPER CONDENSATE DRAINAGE, THE NEUTRALIZER TANK MUST BE INSTALLED IN A PIT OR THE BOILER AND THE AERCO CONDENSATE TRAP MUST BE ELEVATED 4" OR HIGHER ABOVE THE FLOOR. SEE CONDENSATE TANK INSTRUCTIONS TID-0074 FOR DETAILS.
4. SECONDARY INLET ONLY AVAILABLE ON BENCHMARK® PLATINUM SERIES UNITS.
5. CLEARANCE DIMENSIONS ARE MINIMUMS RECOMMENDED BY AERCO. LOCAL CODES AND AUTHORITIES SHOULD BE CONSULTED.

AERCO RESERVES THE RIGHT TO MODIFY BOILER DIMENSIONS WITHOUT PRIOR NOTICE

AERCO A WATTS Brand		100 ORITANI DRIVE BLAUVELT, NY 10913 aerco.com	
BENCHMARK 750 & 1000 MBH GAS FIRED BOILER ZERO SIDE CLEARANCE DRAWING			
DWN. BY	PDR	DATE	051011
SCALE			
APPD.			
SD-A-872			REV C