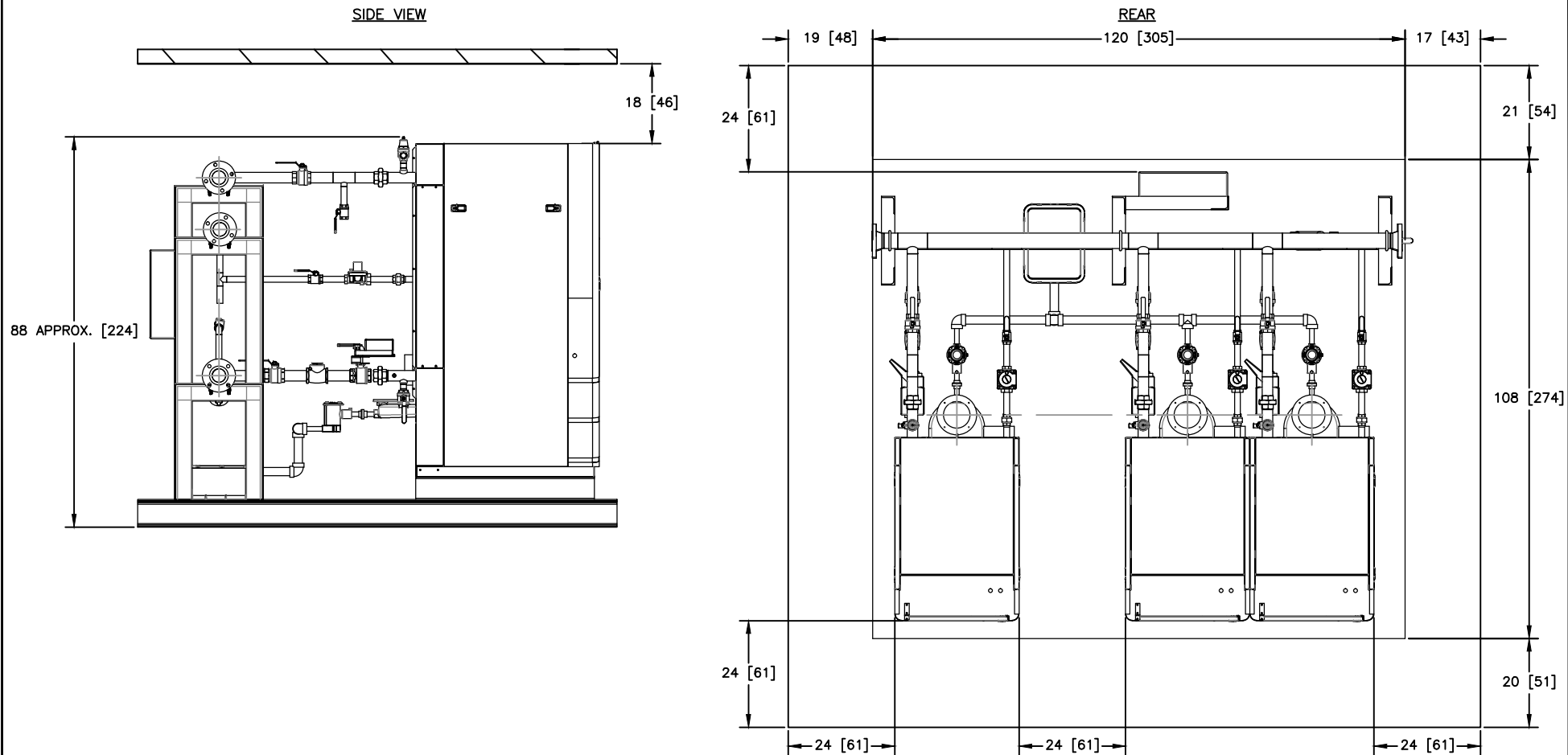


THESE DRAWINGS AND/OR SPECIFICATIONS ARE THE PROPERTY OF AERCO INTERNATIONAL, INC. THEY ARE ISSUED IN STRICT CONFIDENCE AND SHALL NOT BE REPRODUCED, COPIED, OR USED AS THE BASIS FOR MANUFACTURE OR SALE OF APPARATUS WITHOUT PERMISSION OF THE OWNER.



NOTES:

- 1) ALL DIMENSIONS SHOWN ARE IN INCHES (CENTIMETERS).
- 2) AERCO RESERVES THE RIGHT TO MODIFY BOILER DIMENSIONS WITHOUT PRIOR NOTICE.
- 3) PIPING DIMENSIONS ARE APPROXIMATE. FINAL DIMENSIONS MAY VARY DUE TO MANUFACTURING TOLERANCES. DO NOT COMPLETE FIELD PIPING UNTIL SYSTEM IS PROPERLY INSTALLED. FABRICATION ACCEPTS NO LIABILITY DUE TO DIMENSION VARIATION.
- 4) ZERO SIDE CLEARANCE OPTION CAN ONLY BE EMPLOYED IN TWO UNIT SETS.
- 5) REFER TO LOCAL CODES IF THEY EXCEED THE CLEARANCES SHOWN ON THIS DRAWING.

AERCO 100 ORITANI DRIVE BLAUVELT, NY 10813
aerco.com

INNOVATION
SKID PACKAGE SYSTEM – THREE UNITS
CLEARANCE DRAWING

DWN. BY S.S. DATE 110816
SCALE NTS
APPD. _____ DATE _____

SD-A-1130

REV.
A