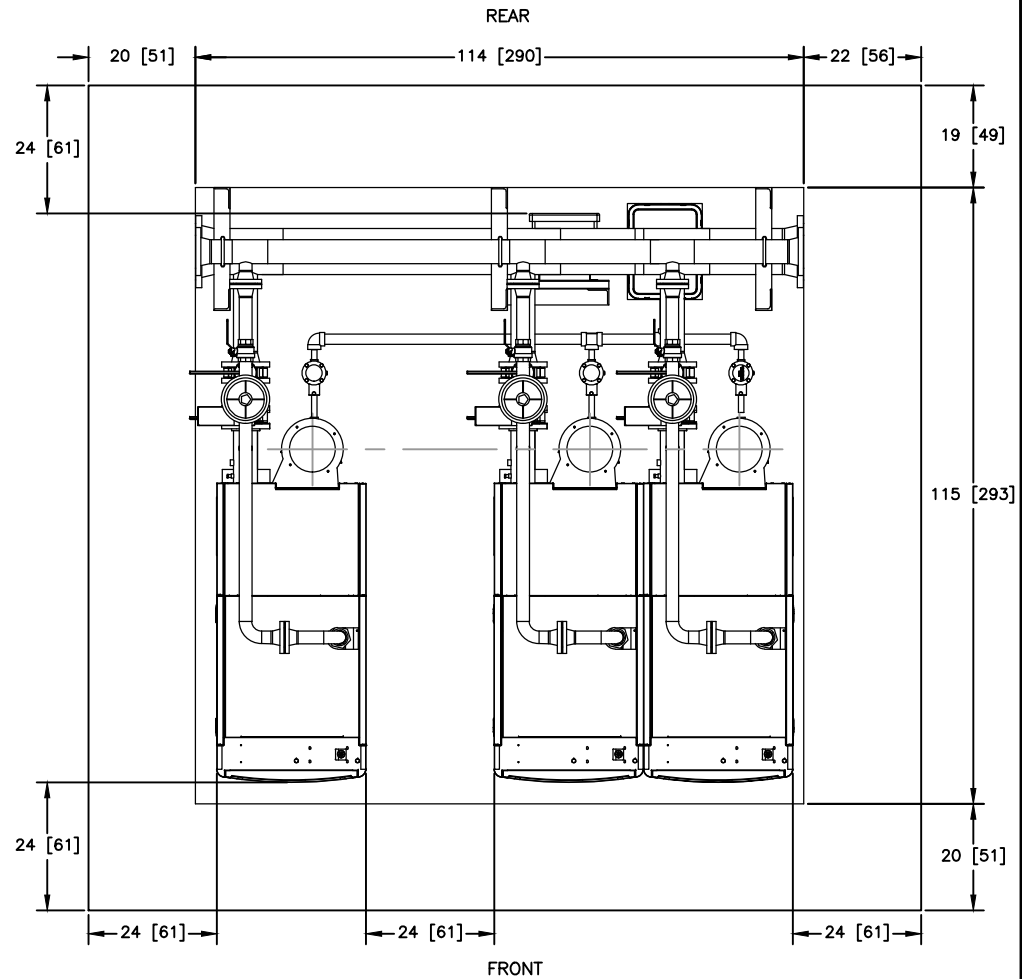
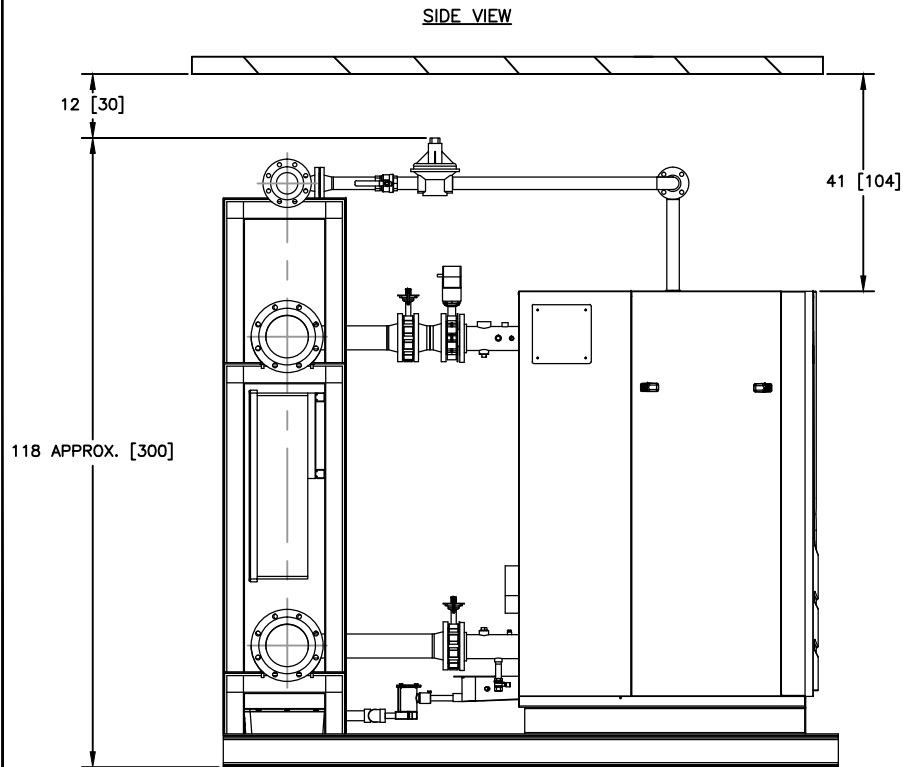


NOTES:

- 1) ALL DIMENSIONS SHOWN ARE IN INCHES (CENTIMETERS).
- 2) AERCO RESERVES THE RIGHT TO MODIFY BOILER DIMENSIONS WITHOUT PRIOR NOTICE.
- 3) PIPING DIMENSIONS ARE APPROXIMATE. FINAL DIMENSIONS MAY VARY DUE TO MANUFACTURING TOLERANCES. DO NOT COMPLETE FIELD PIPING UNTIL SYSTEM IS PROPERLY INSTALLED. FABRICATION ACCEPTS NO LIABILITY DUE TO DIMENSION VARIATION.
- 4) ZERO SIDE CLEARANCE OPTION CAN ONLY BE EMPLOYED IN TWO UNIT SETS.
- 5) REFER TO LOCAL CODES IF THEY EXCEED THE CLEARANCES SHOWN ON THIS DRAWING.



AERCO INTERNATIONAL, INC.
Blauvelt, NY 10913

BMK 2500 & 3000
SKID PACKAGE SYSTEM - THREE UNITS
CLEARANCE DRAWING

DWN. BY S.S. DATE 010816
SCALE NTS
APPD. P.R. DATE 010816

SD-A-1102

REV.
A