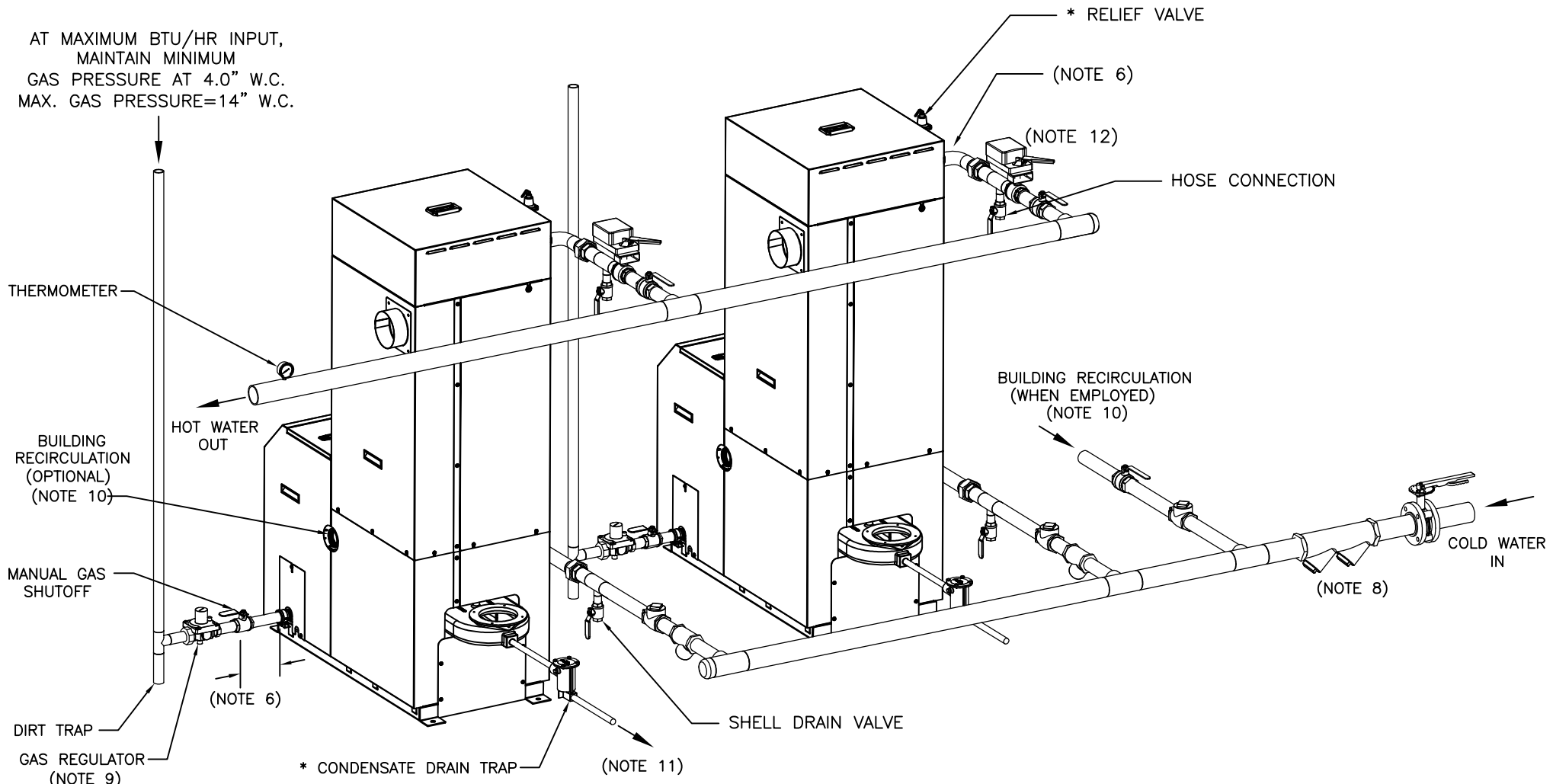



AT MAXIMUM BTU/HR INPUT,  
 MAINTAIN MINIMUM  
 GAS PRESSURE AT 4.0" W.C.  
 MAX. GAS PRESSURE=14" W.C.



- NOTES:
1. FOR ACTUAL SIZES AND LOCATIONS OF PIPING AND OTHER CONNECTIONS TO THE HEATER, SEE DIMENSIONAL DRAWING.
  2. SHELL DRAIN VALVE AND CONDENSATE HOSE SHOULD BE ARRANGED TO PERMIT THE FLUIDS TO DRAIN FREELY, BY GRAVITY, TO A FLOOR DRAIN. RELIEF VALVE DISCHARGE SHOULD BE PIPED TO THE NEAREST FLOOR DRAIN. WHEN NO FLOOR DRAIN IS AVAILABLE, THE RELIEF VALVE DISCHARGE SHOULD BE PIPED VERTICALLY TO A HEIGHT 18" ABOVE THE FLOOR.
  3. ALL (\*) ITEMS ARE INCLUDED SEPARATELY IN SHIPMENT.
  4. THIS IS A TYPICAL INSTALLATION DRAWING. LOCAL CODES AND AUTHORITIES SHOULD BE CONSULTED.
  5. HOSE CONNECTION AT HEATER OUTLET IS FOR INITIAL HEATER CALIBRATION DURING START-UP.
  6. LOCATE WATER INLET AND OUTLET FITTINGS (i.e. UNIONS, ELBOWS, ETC.) A MINIMUM OF 6" FROM WATER HEATER FITTINGS, TO PREVENT INTERFERENCE WITH REMOVAL OF HEATER PANELS.
  7. HEATERS SHOULD BE PIPED REVERSE RETURN AS SHOWN OR BALANCING DEVICES ON THE OUTLETS OF THE HEATER SHOULD BE EMPLOYED.
  8. IF PERMITTED BY LOCAL CODES, A CHECK VALVE MAY BE USED IN PLACE OF A BACKFLOW PREVENTER.
  9. AT 14" W.C. OR BELOW, A GAS REGULATOR IS OPTIONAL UNLESS REQUIRED BY LOCAL CODE.
  10. THE BUILDING RECIRCULATION (MAKE UP WATER) COULD BE PIPED DIRECTLY TO THE UNIT AS AN OPTION INSTEAD.
  11. AERCO CONDENSATE NEUTRALIZER KIT MAY BE REQUIRED FOR PROPER INSTALLATION, CONSULT LOCAL CODE.
  12. MOTORIZED/SEQUENCING VALVE WIRED INTO EACH UNIT'S I/O BOX TERMINAL "AOUT" PER DRAWING SD-A-1034.

 <b>AERCO INTERNATIONAL, INC.</b> <small>Blauvelt, NY 10913</small>	
<b>RECON GAS FIRED WATER HEATER          MULTIPLE UNIT INSTALLATION          WITH SEQUENCING VALVES</b>	
DWN. BY <u>K.S.</u> DATE <u>100114</u> SCALE <u>NTS</u> APPD. _____ DATE _____	SD-A-1036 REV. <b>A</b>