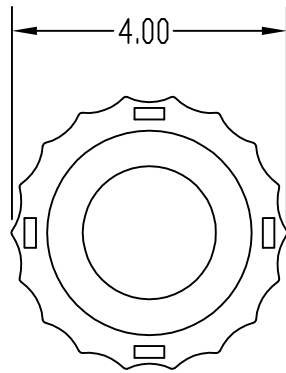


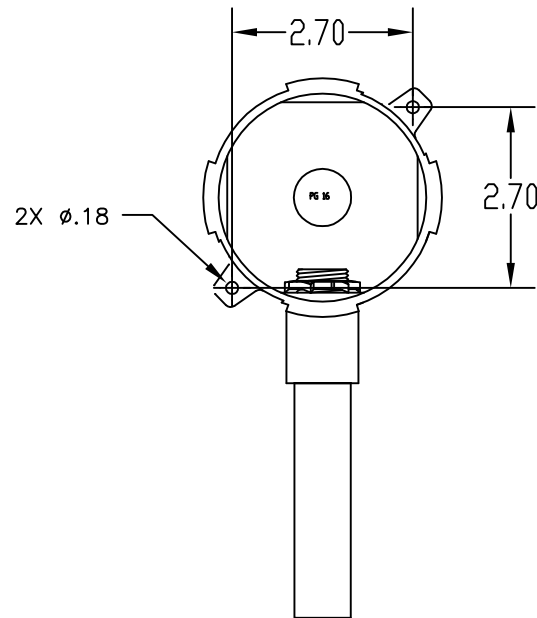
NOTES:

1. MADE BY: ACI
2. PART NUMBER: A/BALCO-O-EH
3. SPECIFICATION:

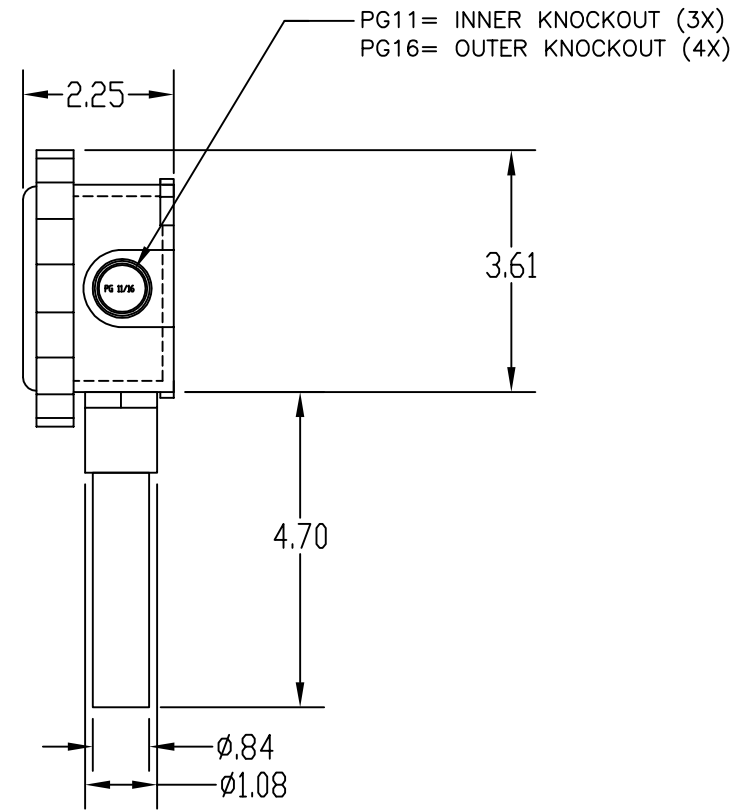
SENSOR OUTPUT	1000 Ohms @ 70° F
TEMP. COEFFICIENT	2.2 Ohms/deg F
TEMP OPERATING RANGE	-40 TO 240° F
ACCURACY	± 0.1%



COVER



FRONT VIEW, NO COVER



SIDE VIEW

AERCO INTERNATIONAL, INC.
Blauvelt, NY 10913

OUTDOOR AIR TEMPERATURE SENSOR

DWN. BY K.S. DATE 051314
SCALE NTS
APPD. _____ DATE _____

SD-A-1018

REV.
A