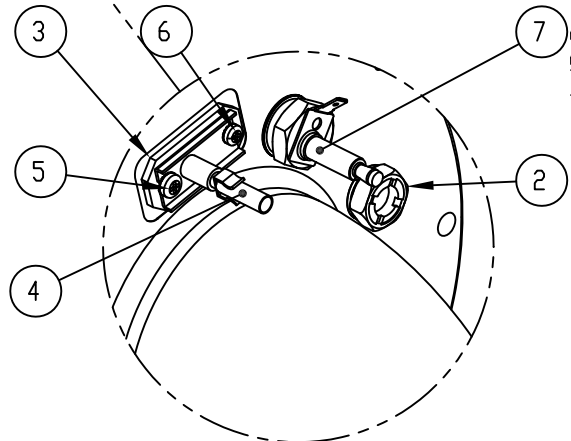


ORDER KIT #24356-2

ORDER KIT #58047

ORDER KIT #24335-1

ITEM NO.	QTY.	PART NUMBER	DESCRIPTION
1	1	44106	INTAKE MANIFOLD
2	1	59104	PORT, OBSERVATION
3	1	81150	GASKET, FLAME ROD
4	1	66018	FLAME ROD
5	1	122377	SCREW, MACH #10-32 X 3/8 LG
6	1	54015	SCREW, MACH #8-32 X 3/8 LG
7	1	66023	IGNITOR w/HOOKED GROUND ROD
8	2	93358	PLUG, 1/4 NPT HEX HD PIPE 304 STAINLESS
9	1	124749	FIBER FRAX GASKET
10	4	53033	WASHER, CLOCKING
11	1	44086	LOW NOX BURNER MTG PLATE
12	1	46023	LNOX BURNER ASSY
13	8	123948	10-32 x 3/8" LG. SET SCREW
14	1	49209	CONDENSATE SHIELD



7 APPLY HI TEMP CONDUCTIVE ANTI-SIEZE LOCTITE C5-A PRIOR TO INSERTION & THEN TORQUE TO 170-180 in/lbs

10 USE 3 OR 4 'CLOCKING WASHERS' TO ESTABLISH CORRECT ORIENTATION.

		INTERNATIONAL INC. Blauvelt, NY 10913	
INNOVATION INN1350 INTAKE MANIFOLD/BURNER/SHIELD			
DWN.BY	CEW	DATE	4-30-12
SCALE	NTS	SIZE	A
CHKD.		APPD.	
REV. DATE			
PL-A-175			A