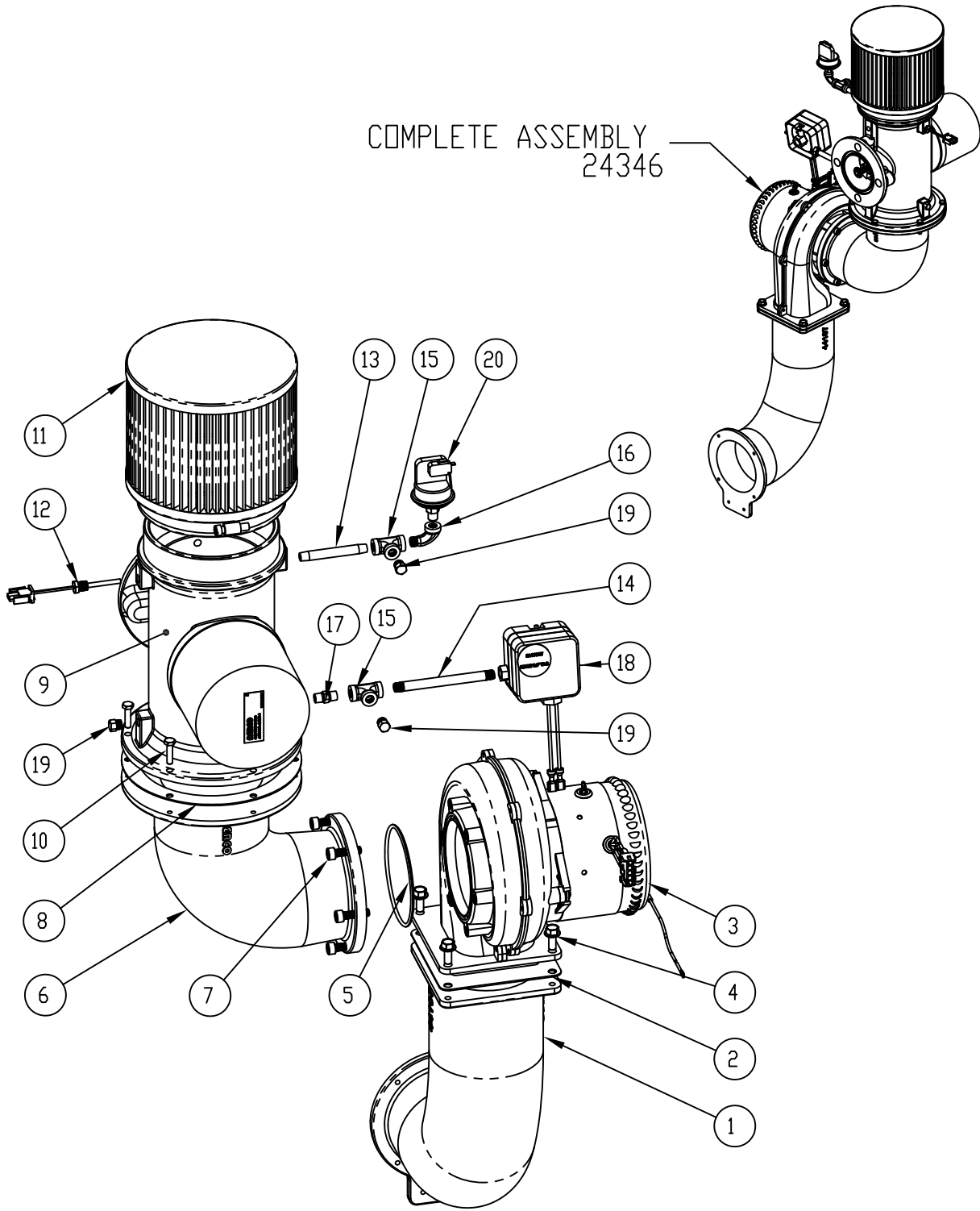


COMPLETE ASSEMBLY
24346



ITEM NO.	QTY.	PART NUMBER	DESCRIPTION
1	1	44107	BLOWER SIDE INTAKE MANIFOLD
2	1	81064	GASKET, BLOWER
3	1	24111	BLOWER, AMETEK 8.9'
4	4	54028	SCREW, HEX HD SERRATED 5/16-18
5	1	88004	O-RING #2-244 BUNA-N
6	1	44108	BLOWER-A/F VALVE ADAPTER
7	6	55071	SCREW, SDC HD M8 x 1.25 x 30mm LG.
8	1	81057	GASKET, BLOWER
9	1	24220-4	A/F VALVE ASSY
10	6	122371	1/4-20 X 1' LG HEX HD. MACHINE SCREW
11	1	59138	FILTER, AIR 6"
12	1	61024	AIR INLET TEMPERATURE SENSOR
13	1	124008	NIPPLE, 1/8 NPT X 3.00' LG
14	1	90092	NIPPLE, 1/8 NPT x 4.50 LG SCH 40 BLACK
15	2	123535	TEE, 1/8' NPT
16	1	124979	1/8' C.S. STREET ELBOW
17	1	93367	SNUBBER, FAN PROVING SWITCH
18	1	60011-3	SWITCH ASSY, BLOWER PROOF
19	3	123534	PLUG, HEX 1/8 NPT
20	1	61002-5	BLOCKED INLET SWITCH -8.0' W.C.

81057, 24220-4 & 88003 'O' RING #2-339 [NOT SHOWN] ARE SUPPLIED AS A KIT.

ORDER KIT #24311-4

81064, 24111 & 81057 ARE SUPPLIED AS A KIT.

ORDER KIT #58039

INNOVATION WATER HEATERS

		INTERNATIONAL INC. Blauvelt, NY 10913
INN1350 AIR FUEL DELIVERY SYSTEM BLOWER, AIR FUEL VALVE, ACCESSORIES		
DWN.BY <u>CEW</u> DATE <u>4-27-12</u> SCALE <u>NTS</u> SIZE <u>A</u> CHKD. _____ APPD. _____ REV. DATE _____ 4-27-12	PL-A-174	REV. A