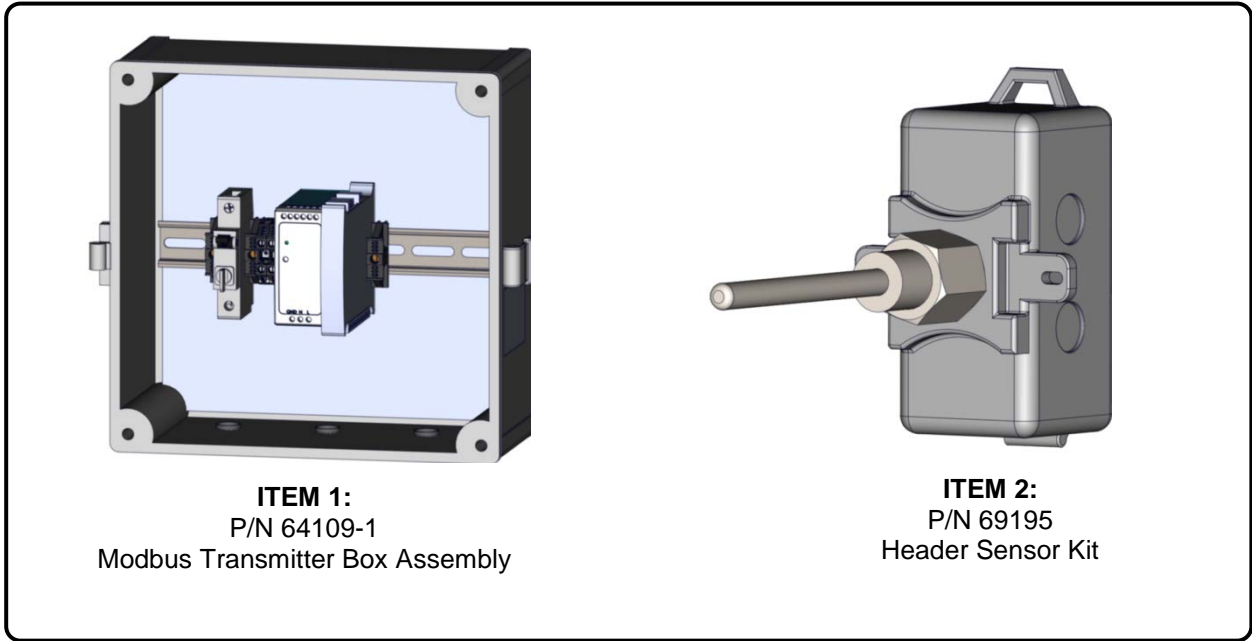


# TECHNICAL INSTRUCTIONS

## Modbus Header Temp Sensor Kit 24444-1 Installation Instructions



### Modbus Header Temp Sensor Kit # 24444 Contents

ITEM#	QTY.	P/N	DESCRIPTION
1	1	64109-1	MODBUS TRANSMITTER BOX ASSEMBLY
2	1	69195	HEADER SENSOR KIT

### Disclaimer

The information contained in these instructions are subject to change without notice from AERCO International, Inc. AERCO makes no warranty of any kind with respect to this material, including, but not limited to, implied warranties of merchantability and fitness for a particular application. AERCO International is not liable for errors appearing in this manual. Nor for incidental or consequential damages occurring in connection with the furnishing, performance, or use of this material.

Initial Release: 03/16/2015

## 1. Required Tools & Materials

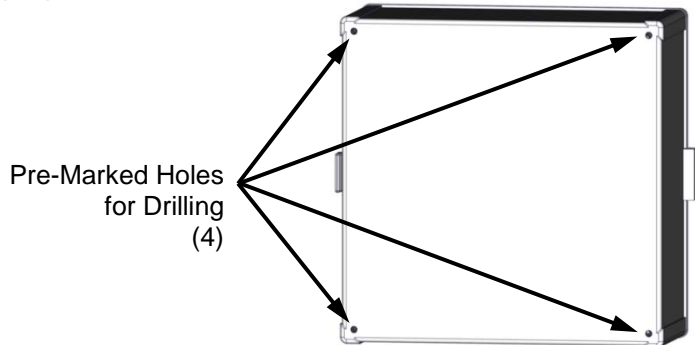
1. Mounting hardware appropriate for the surface on which the unit will be mounted (for example: screws, Molly bolts, concrete anchors, etc.)
2. Electric Drill with appropriate drill bit (for example: 1/4 inch)
3. Flathead & Phillips head precision screwdrivers
4. 120V 60Hz single phase electrical power cable, with ground
5. Shielded Modbus Cable

## 2. Installation

Be sure electrical power to the Shielded Modbus Cable is disabled before starting these instructions.

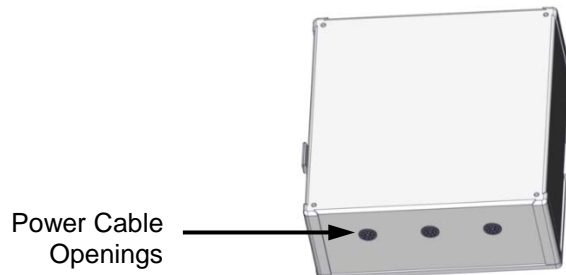
### Installation Instructions

1. Prior to installation, ensure all wire connections are fastened securely, as these may come loose during shipment.
2. Determine where you will install the Modbus Transmitter Box. It is recommended that it be installed in the mechanical room in close proximity to the boiler plant, providing an unobstructed view of the clear front panel.
3. On the rear surface of the Modbus Transmitter Box, there are four (4) pre-marked drill holes (see Figure 1). If these holes have not yet been drilled out, drill them with holes of appropriate size for the fastener.



**Figure 1: Wall Mounting Hole Locations**

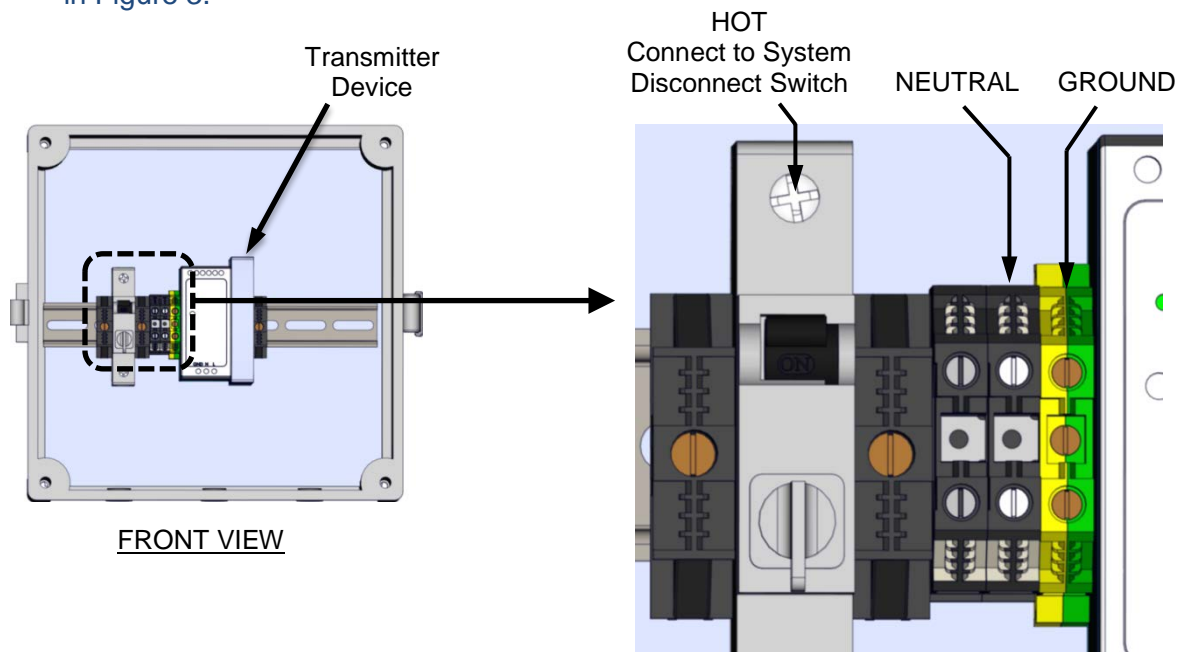
4. Securely fasten the unit in the chosen location through the four drilled holes.
5. Run the 120V power cable (item 4, above) through one of the predrilled openings in the bottom of the enclosure (see Figure 2). If there are no predrilled holes, drill a hole of the appropriate size using a bushing or conduit to run the power cable through.



**Figure 2: Power Cable Opening**

## Installation Instructions – *Continued*

6. Connect the power cable leads to the terminals in the Modbus Transmitter Box as shown in Figure 3.



**Figure 3: Modbus Transmitter Box Terminals**

7. Connect the other end of the power cable to a power outlet, with the hot lead connected to a service disconnect switch.
8. For instruction on connecting the Modbus Header Sensor and/or outdoor air sensor to the boiler, see the chapter on *Boiler Sequencing Technology* (Chapter 9 or 10) in all Benchmark user manuals, or in the C-More Control Panel Manual (OMM-0032, GF-112), in Chapter 9 – *AERCO Boiler Sequencing Technology*.

--- END ---



Date	Description	Changed By
03/16/2015	Rev A: Initial release (reference PIR 934-125)	Chris Blair



International Inc.

© AERCO International, Inc., 2015