

## Technical Data Sheet

# Domestic Water Storage Tank

AERCO storage tanks are used with water heaters to provide instant hot water at peak demands and promote stable temperature control. They also add thermal mass to dampen fast transitions and minimize boiler cycling in small volume potable water applications, laundry systems, and full on/full off solenoid applications.

AERCO storage tanks are available in three configurations:

### 1. Stratified Storage Tank:

The Stratified Storage Tank configuration comes with a dispersion tube or baffle at the cold water inlet-creating a thermal boundary layer that helps minimize the mixing of cold water and hot water in the tank. AERCO Innovation Water Heater applications that require storage shall use this tank configuration.

### 2. Accumulator Storage Tank:

The Accumulator Storage Tank is used in applications where the heater acts as a pre-heater during periods of no or low demand and a booster heater during periods of high demand. The tank serves as energy storage to meet the next surge flow demand.

### 3. Standard Storage Tank:

The Standard Storage Tank configuration is ideal for water heaters that require primary-secondary piping (AERCO AM Series Water Heaters). Dispersion tube is optional for Standard Tanks 30" diameter and larger.



## Maximum Flow Rate

2" NPT: 55 gpm

2-1/2" NPT: 85 gpm

3" NPT / 3" 150 lb Flanged (optional for 30" diameter or larger): 125 gpm

4" 150 lb Flanged (optional for 30" diameter or larger): 200 gpm

6" 150 lb. Flanged (optional for 30" diameter or larger): 450 gpm

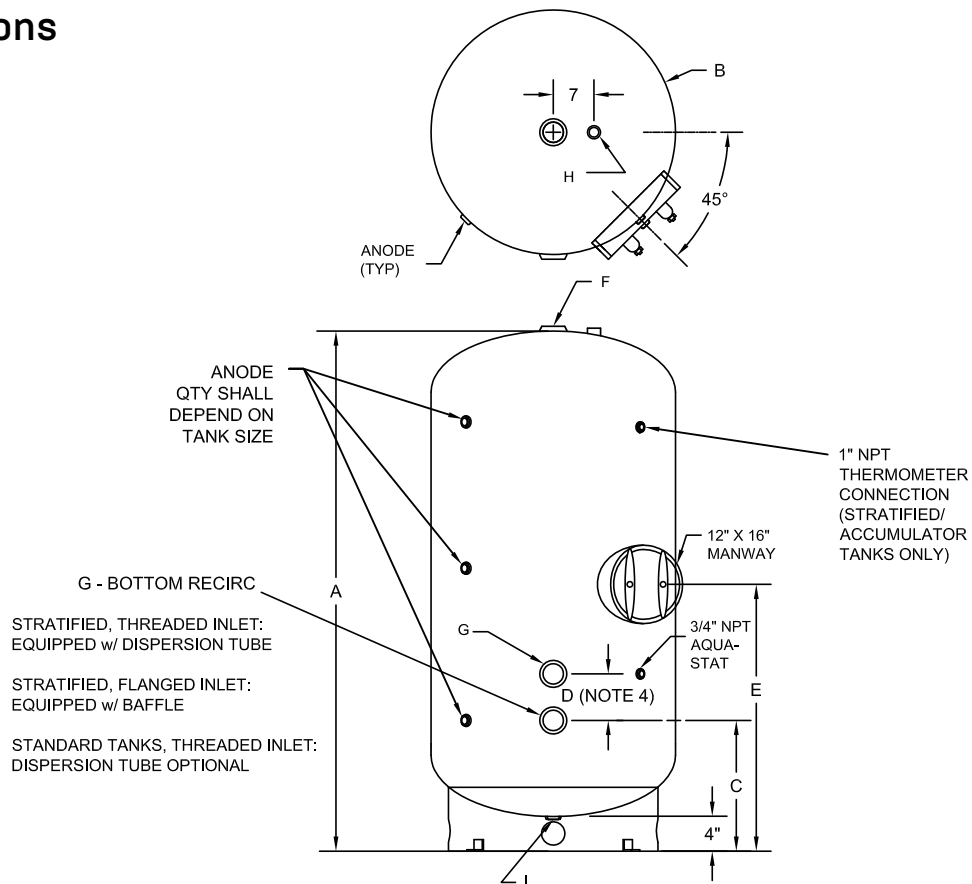
8" 150 lb. Flanged (optional for standard tanks 30" diameter or larger): 600 gpm

Optional Accessory: T&P or Pressure Only Relief Valve (Shipped Loose)

## Features

- Available from 119 to 840 gallons.
- 119 gal. Tank: 150 psig - available as ASME Sec IV HLW or Non-Code
- All other sizes: 125 psig ASME Sec IV HLW standard max. working pressure; Optional 150 psig ASME Sec IV HLW
- Porcelain Enamel (glass) lined steel tank; Maximum operating temperature: 180°F.
- Five-year limited warranty; Optional double-glass lining provides 10 year limited warranty (30" diameter & larger).
- Replaceable Magnesium anode rods for tank protection and longer service life.
- Optional insulations meet or exceed ASHRAE 90.1 requirements:
- High density spray polyurethane rigid foam (2.25" thick, R-16) with acrylic topcoat.
- High density foam (2" thick, R-12.5) with sturdy, heavy gauge steel jacket

# Dimensions



CONFIGURATION	ACTUAL CAP.	A OVERALL HEIGHT	B VESSEL DIAM.	C FLOOR TO BOTTOM RECIRC	D (NOTE 4) RECIRC CTR-CTR	E MANWAY TO FLOOR	F HOT WATER OUT SIZE	G RECIRC SIZE	H RELIEF CONN.	I DRAIN SIZE	WEIGHT EMPTY
STANDARD TANKS	119 GAL.	62"	24"	8-13/16"	5"	EQUIPPED WITH HAND HOLE	2" NPT	2" NPT	1" NPT (LOCATED ON SIDE)	3/4" NPT	225 LBS.
	210 GAL.	79"	30"	17-1/2"	8"	MANWAY OPTIONAL	2-1/2" NPT	3" NPT	1-1/4" NPT	1" NPT	387 LBS.
	310 GAL.	82"	36"	19"	8"	MANWAY OPTIONAL	2-1/2" NPT	3" NPT	1-1/4" NPT	1" NPT	588 LBS.
	435 GAL.	85"	42"	20-1/2"	8"	42"	3" NPT	3" NPT	1-1/4" NPT	1" NPT	783 LBS.
	675 GAL.	100"	48"	22"	8"	44"	3" NPT	3" NPT	1-1/4" NPT	1" NPT	1,298 LBS.
	860 GAL.	124"	48"	22"	8"	44"	3" NPT	3" NPT	1-1/4" NPT	1" NPT	1,567 LBS.
STRATIFIED/ ACCUMULATOR TANKS	210 GAL.	79"	30"	17-1/2"	8"	MANWAY OPTIONAL	3" NPT	3" NPT	1-1/4" NPT	1" NPT	387 LBS.
	340 GAL.	89"	36"	19"	8"	MANWAY OPTIONAL	3" NPT	3" NPT	1-1/4" NPT	1" NPT	624 LBS.
	505 GAL.	97"	42"	20-1/2"	8"	44"	3" NPT	3" NPT	1-1/4" NPT	1" NPT	853 LBS.

**NOTES:**

- Dimensions shown are for models with NPT water connections. Contact your AERCO Representative for dimensions for models with Flanged water connections.
- Canadian Registration Number - available for all tanks with water connections 3"NPT and smaller. For models with larger water connections and Flange connections, consult your AERCO Representative for custom quotes. CRN is not applicable to Saskatchewan.
- If seismic restraints are required, consult your AERCO Representative.
- Distance between recirculation ports may vary when optional flanged connections are selected. Consult your AERCO Representative for dimensional drawing.



Heat | Hot Water | Energy Recovery Solutions

AERCO International, Inc. • 100 Oritani Drive • Blauvelt, NY 10913  
 USA: T: (845) 580-8000 • Toll Free: (800) 526-0288 • AERCO.com