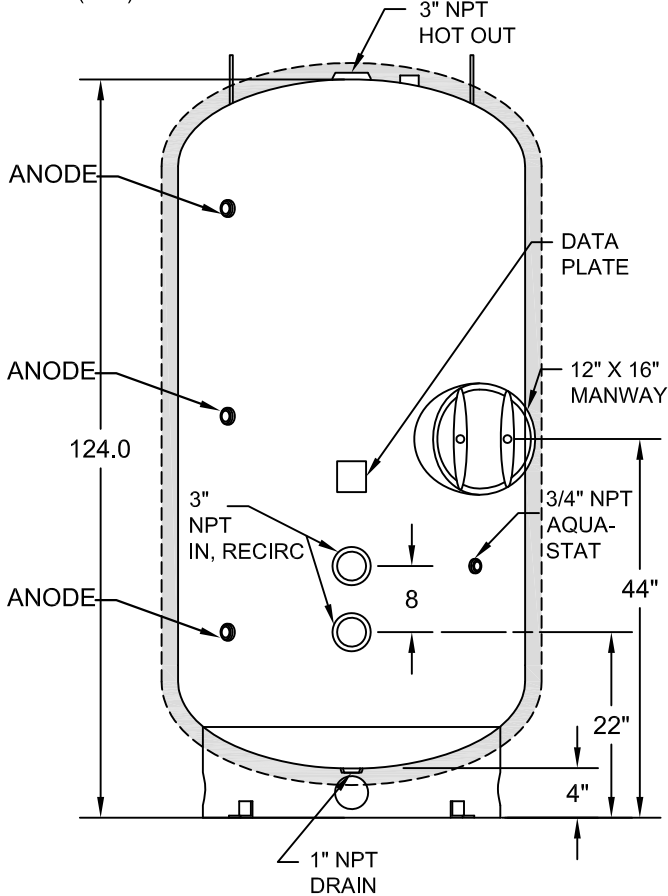
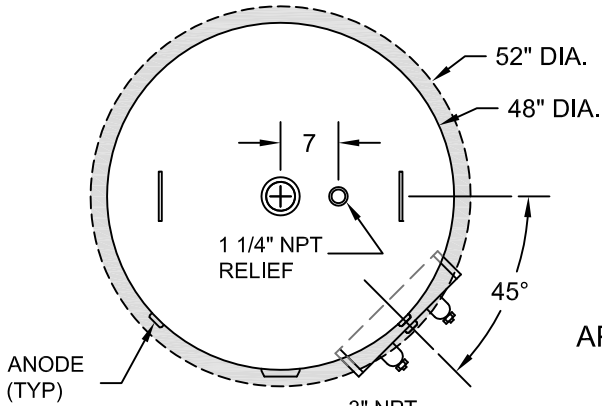


STANDARD CONSTRUCTION:

MATERIAL - CARBON STEEL
 SHELL THICKNESS - 1/4" 516 GRADE 70
 HEAD THICKNESS - 1/4" 414G
 INTERIOR LINING - PORCELAIN ENAMEL
 EXTERIOR - 2" APPLIED POLYURETHANE
 INSULATION R-16 W/
 ACRYLIC TOP COAT

SACRIFICIAL ANODES - MAGNESIUM
 M.A.W.P. - 125 PSIG
 MAX. OPERATING TEMP. - 180 F
 APPROX. WEIGHT EMPTY - 1,790 LBS
 APPROX. WEIGHT FLOODED - 8,926 LBS



OPTIONS:

CHECK ALL THAT APPLY

CONSTRUCTION
DOUBLE GLASS LINING (10-YR WARRANTY)
150 PSI WORKING PRESSURE:

OPTIONAL PRESSURE ONLY RELIEF VALVE
 (SHIPPED LOOSE):

CHECK ONE

125 PSI (USE FOR
 STANDARD CONSTRUCTION)

150 PSI (USE FOR
 150 PSI CONSTRUCTION)

3096 MBH

3655 MBH

5011 MBH

5916 MBH

8668 MBH

10234 MBH

AERCO INTERNATIONAL, INC.
 BLAUVELT, NY 10913

POTABLE WATER STORAGE TANK
 48" DIA., 860 GALLON, TOP COAT
 ASME IV-HLW

DWN. BY CZ DATE 091014
 SCALE NTS SIZE _____
 CHKD. _____ APPD. _____
 REV. DATE _____

AP-A-998

REV.

A