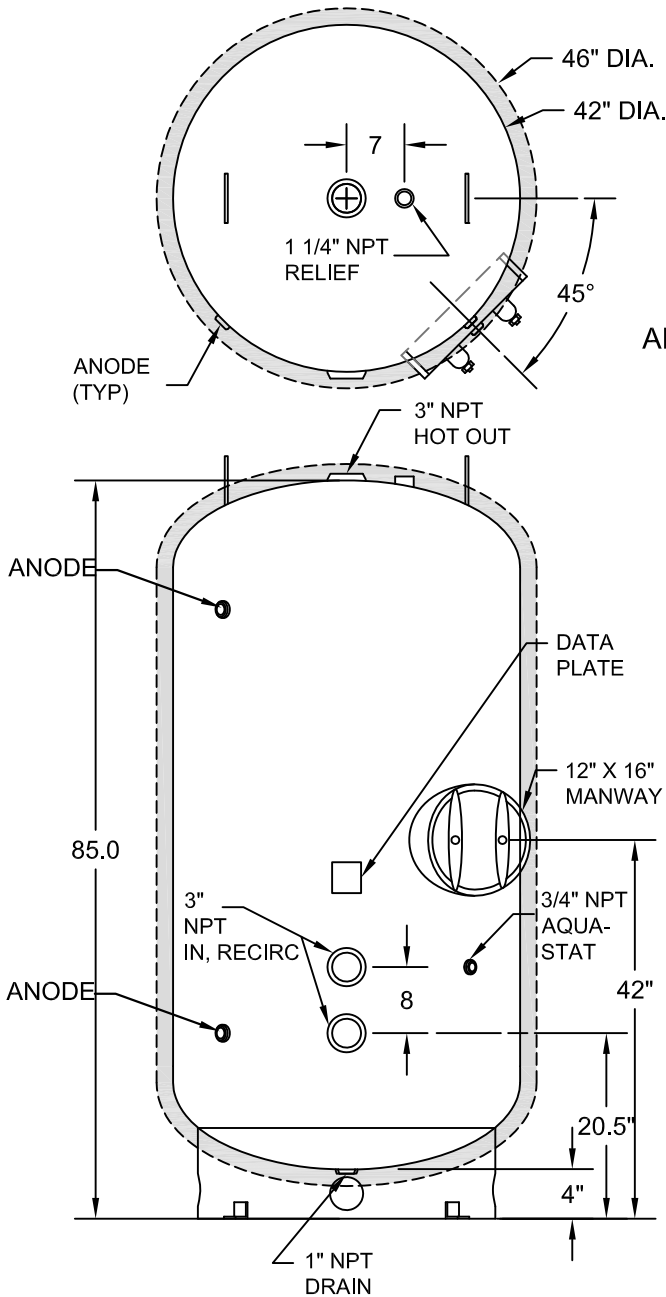


STANDARD CONSTRUCTION:

MATERIAL - CARBON STEEL
 SHELL THICKNESS - 3/16" 516 GRADE 70
 HEAD THICKNESS - 1/4" 414G
 INTERIOR LINING - PORCELAIN ENAMEL
 EXTERIOR - 2" APPLIED POLYURETHANE
 INSULATION R-16 W/
 ACRYLIC TOP COAT

SACRIFICIAL ANODES - MAGNESIUM
 M.A.W.P. - 125 PSIG
 MAX. OPERATING TEMP. - 180 F
 APPROX. WEIGHT EMPTY - 920 LBS
 APPROX. WEIGHT FLOODED - 4,538 LBS



OPTIONS:

CHECK ALL THAT APPLY

CONSTRUCTION
DOUBLE GLASS LINING (10-YR WARRANTY)
150 PSI WORKING PRESSURE:

**OPTIONAL PRESSURE ONLY RELIEF VALVE
(SHIPPED LOOSE):**

CHECK ONE

125 PSI (USE FOR
STANDARD CONSTRUCTION)

150 PSI (USE FOR
150 PSI CONSTRUCTION)

3096 MBH

3655 MBH

5011 MBH

5916 MBH

8668 MBH

10234 MBH

AERCO INTERNATIONAL, INC.
 BLAUVELT, NY 10913

**POTABLE WATER STORAGE TANK
 42" DIA., 435 GALLON, TOP COAT
 ASME IV-HLW**

DWN. BY CZ DATE 091014
 SCALE NTS SIZE _____
 CHKD. _____ APPD. _____
 REV. DATE _____

AP-A-992

REV.

A