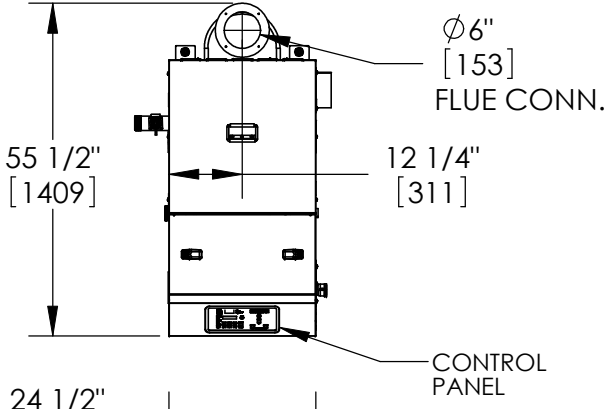
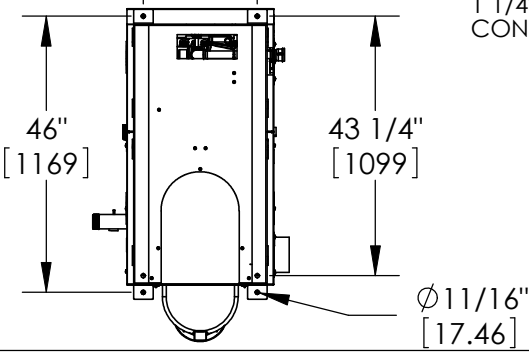
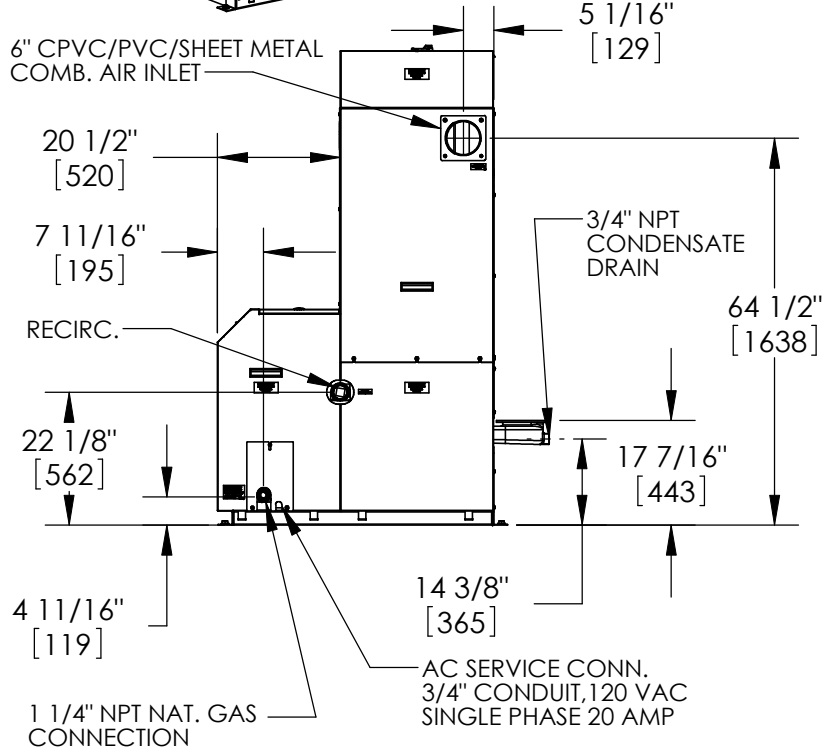
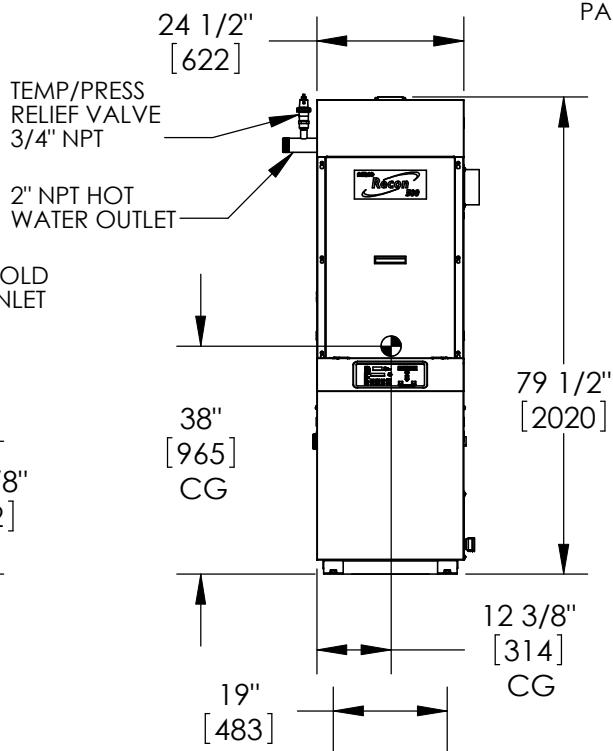
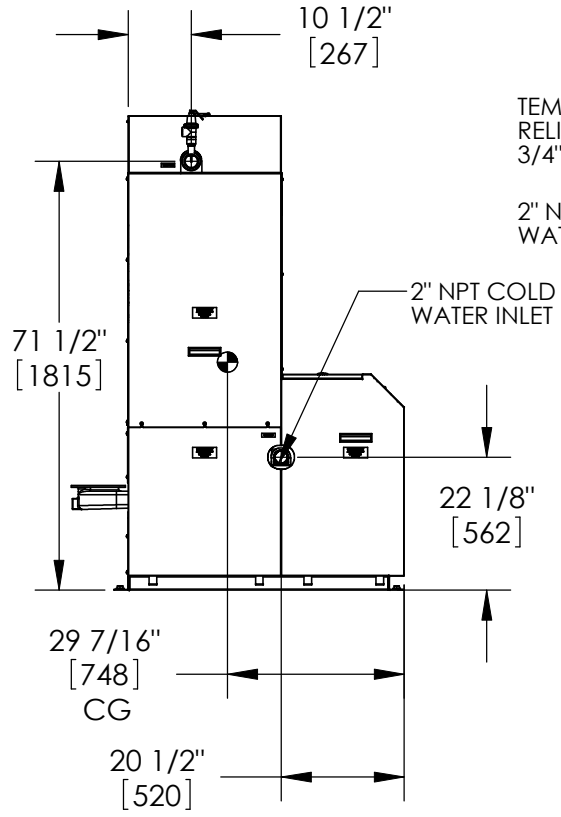
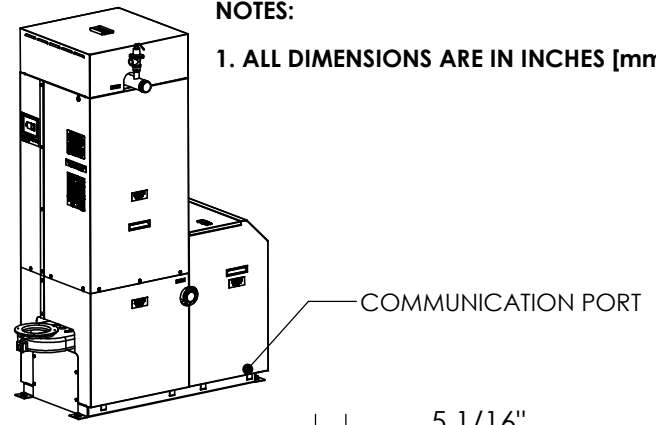


MATERIALS OF CONSTRUCTION	
PRESSURE VESEL	SHELL: 3/16" THK 439 SS SA-240
HEAT EXCHANGER	HELICAL TUBES: 316L SS SA-249 DOMED HEAD: 316 SS SA-240 TUBESHEET: SS 439 SA-240 COMB. CHAMBER: 1/4" WALL WELDED PIPE SA-312 TP 316 [ALL ELECTROLESS Ni PLATED]



NOTES:
1. ALL DIMENSIONS ARE IN INCHES [mm]



HEAT EXCHANGER DESIGN STANDARDS			
	MAX. WORKING PRESS. (PSIG)	MAX. TEMP. (°F)	TEST PRESS. (PSIG)
SHELL SIDE	160	210	240
ASME B & PV CODE SECTION IV STAMP HLW			

AERCO INTERNATIONAL, INC.
BLAUVELT, NY 10913

RECON 500/1000 GAS FIRED WATER HEATER DIMENSIONAL OUTLINE

DRWN BY: AV	DATE: 8/13/14	REV
		A
NOT TO SCALE		AP - A - 972