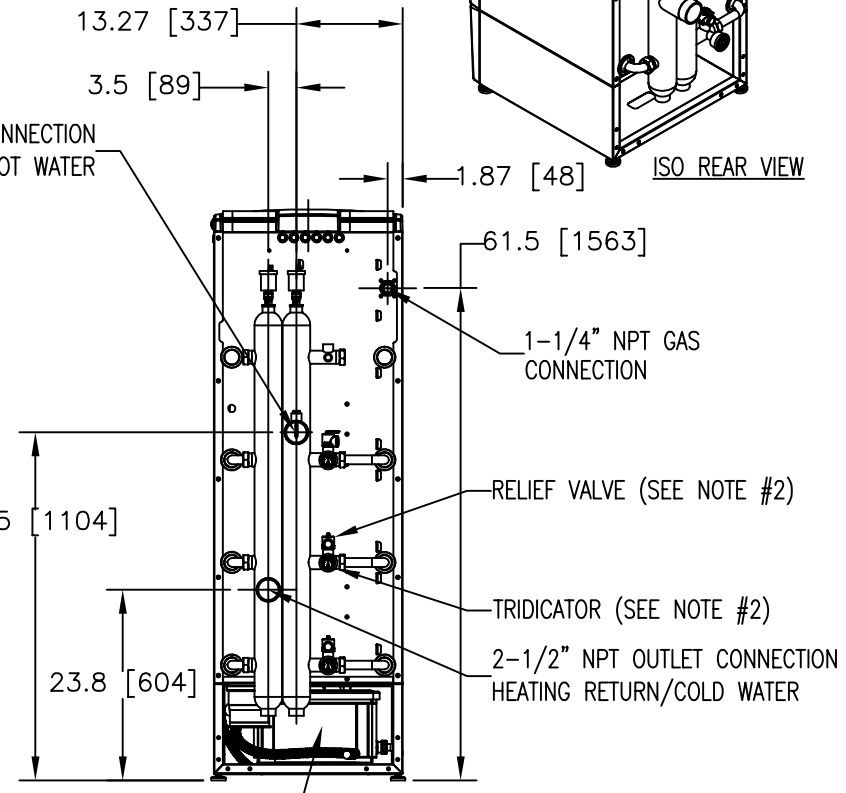
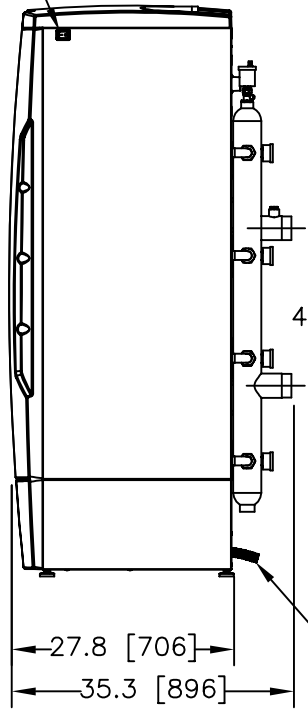
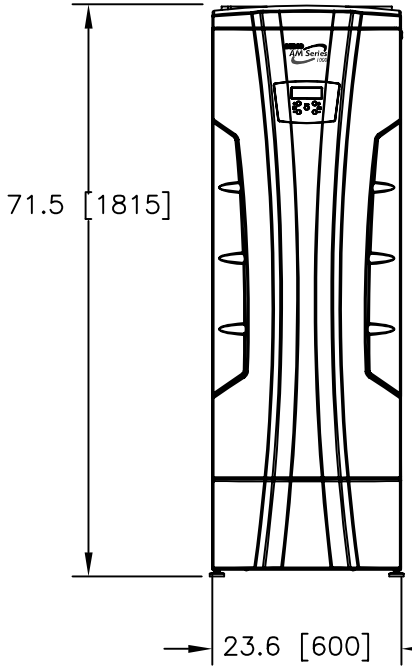
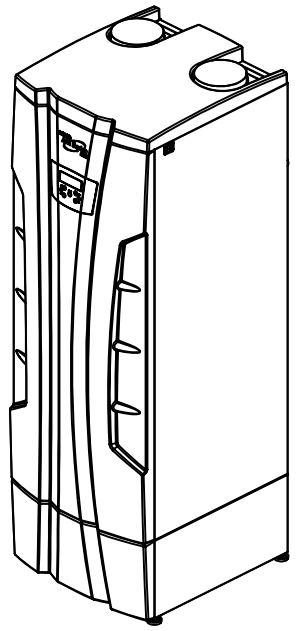
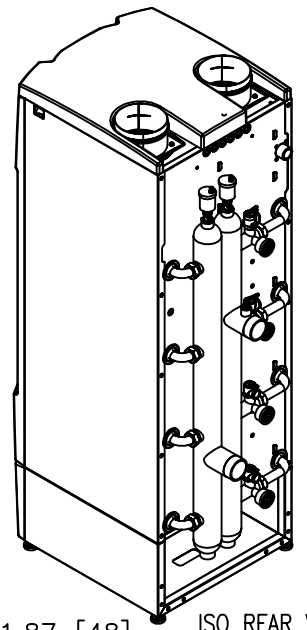
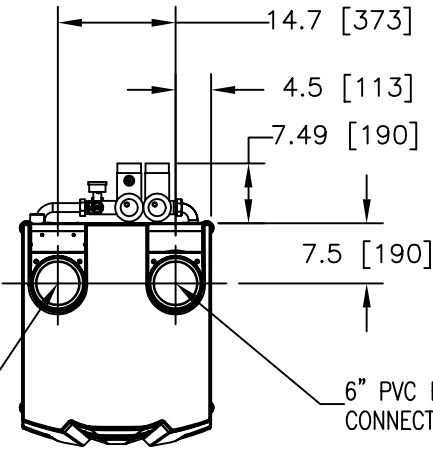


MATERIALS OF CONSTRUCTION	
HEAT EXCHANGER:	316 (Ti)
HEAT EXCHANGER DESIGN STANDARDS	
MAX. WORKING PRESS. (PSIG):	160
MAXIMUM TEMP. (°F):	210
TEST PRESS. (PSIG):	240
BOILER/WATER HEATER UNITS:	
ASME B & PV CODE SECTION IV STAMP H	
OPTIONAL:	
ASME B & PV CODE SECTION IV STAMP HLW (ONLY BY REQUEST FOR WATER HEATER UNITS)	



NOTES:
 1) ALL DIMENSIONS SHOWN ARE IN INCHES (MILLIMETERS).
 2) RELIEF VALVE AND TRIDICATOR ARE INCLUDED ONE SET ON EACH MODULE.

AERCO INTERNATIONAL, INC. Blauvelt, NY 10913	
AM MODELS 750 & 1000 GAS FIRED BOILER/WATER HEATER DIMENSIONAL DRAWING	
DWN.BY: K.S. DATE: 112713 SCALE: _____ SIZE: A CHKD. _____ APPD. _____ REV.DATE: K.S. 050515	AP-A-943 REV. C