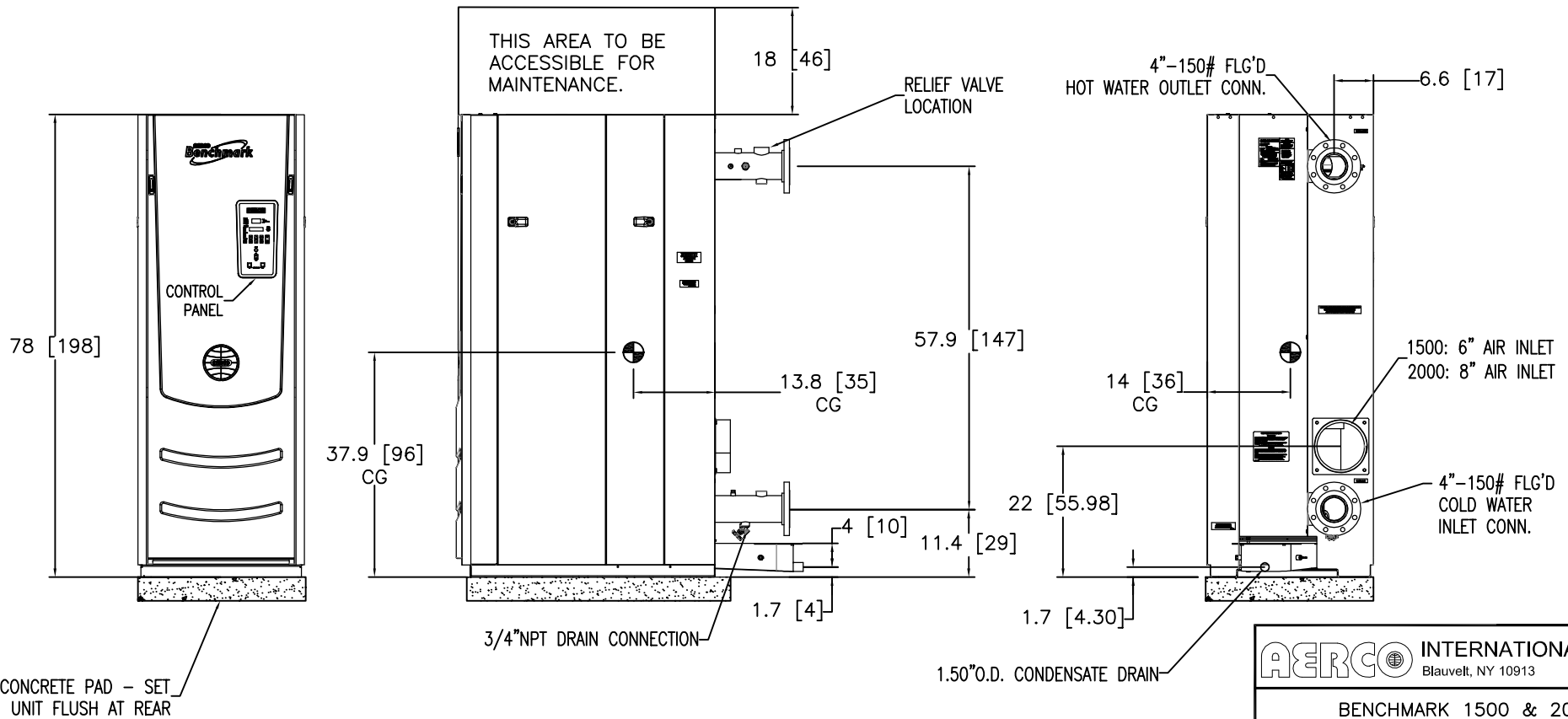


MATERIALS OF CONSTRUCTION				
COMBUSTION CHAMBER	SHELL OUTER-1/4" CARBON STEEL,SA-53 GR.B			
	SHELL INNER-1/4"STAINLESS STEEL,SA-240, 439SS			
	HEAD-1/2" CARBON STEEL,SA-516 GR.70			
EXPANSION JOINT-1/4" STAINLESS STEEL,SA-240,439SS				
HEAT EXCHANGER	UPPER TUBESHEET- 1/4" STAINLESS STEEL,SA-240,439SS			
	LOWER TUBESHEET- 1/4" STAINLESS STEEL,SA-240,439SS			
	TUBES-STAINLESS STEEL,9/16"O.D. X .049 WALL			
SA-249,439SS				
SHELL-1/4" CARBON STEEL,SA-53,GR.A OR B				
HEAT EXCHANGERS & COMBUSTION CHAMBER DESIGN STANDARDS				
MAX. WORKING PRESS. (PSIG)	MAXIMUM TEMP. (°F)	TEST PRESS. (PSIG)	HT'G SURFACE SQ.FT.	MIN. RELIEF VA. CAPACITY MBH
160	210	240	107	1500
160	210	240	150	2000
ASME B & PV CODE: SECTION IV STAMP H				



NOTES:

- 1) ALL DIMENSIONS SHOWN ARE IN INCHES (CENTIMETERS).
- 2) RELIEF VALVE, TRIDICATOR & CONDENSATE TRAP ARE INCLUDED SEPARATELY IN SHIPMENT.
- 3) AERCO RESERVES THE RIGHT TO MODIFY BOILER DIMENSIONS WITHOUT PRIOR NOTICE

AERCO INTERNATIONAL, INC. Blauvelt, NY 10913	
BENCHMARK 1500 & 2000 GAS FIRED BOILER DIMENSIONAL DRAWINGS	
DWN.BY PR. DATE 090313 SCALE _____ SIZE <u>A</u> CHKD. _____ APPD. _____ REV.DATE _____	AP-A-936 D